



US00D785712S

(12) **United States Design Patent**
Williams

(10) **Patent No.:** **US D785,712 S**
(45) **Date of Patent:** **** May 2, 2017**

(54) **MASONIC MEETING NOTIFICATION SIGN**

D572,766 S * 7/2008 Smyser D20/42
2006/0181432 A1 8/2006 Monteith et al.
2012/0262933 A1 10/2012 Larsson

(71) Applicant: **Warren Williams**, Oak Ridge, NC (US)

(72) Inventor: **Warren Williams**, Oak Ridge, NC (US)

(**) Term: **14 Years**

(21) Appl. No.: **29/524,646**

(22) Filed: **Apr. 22, 2015**

(51) **LOC (10) Cl.** **20-03**

(52) **U.S. Cl.**
USPC **D20/29**

(58) **Field of Classification Search**
USPC D20/1, 19, 29, 41, 42, 99; D6/682.2;
D11/131, 133, 157
CPC ... G09F 5/00; G09F 7/00; G09F 13/00; G09F
19/00

See application file for complete search history.

(56) **References Cited**

U.S. PATENT DOCUMENTS

133,236	A	11/1812	Lyon	
D221,505	S *	8/1971	Roston	D20/10
3,625,177	A *	12/1971	Miller	B60Q 7/005 116/63 P
3,759,214	A	9/1973	Evans et al.	
4,440,104	A	4/1984	Bleiweiss et al.	
D311,029	S *	10/1990	Nielsen	D20/10
D362,357	S *	9/1995	Shinno	D6/682.2
6,718,670	B2	4/2004	Wang	
D544,804	S	6/2007	Chen	
7,258,506	B2	8/2007	Tipaido	

OTHER PUBLICATIONS

Masonic Master Mason Chain Collar Large Pendant—
NMSMasonicOutfitters https://www.etsy.com/listing/451798044/masonic-master-mason-chain-collar-large?ref=shop_home_active_19 retrieved from the internet on Sep. 26, 2016.*

* cited by examiner

Primary Examiner — Mary Ann Calabrese

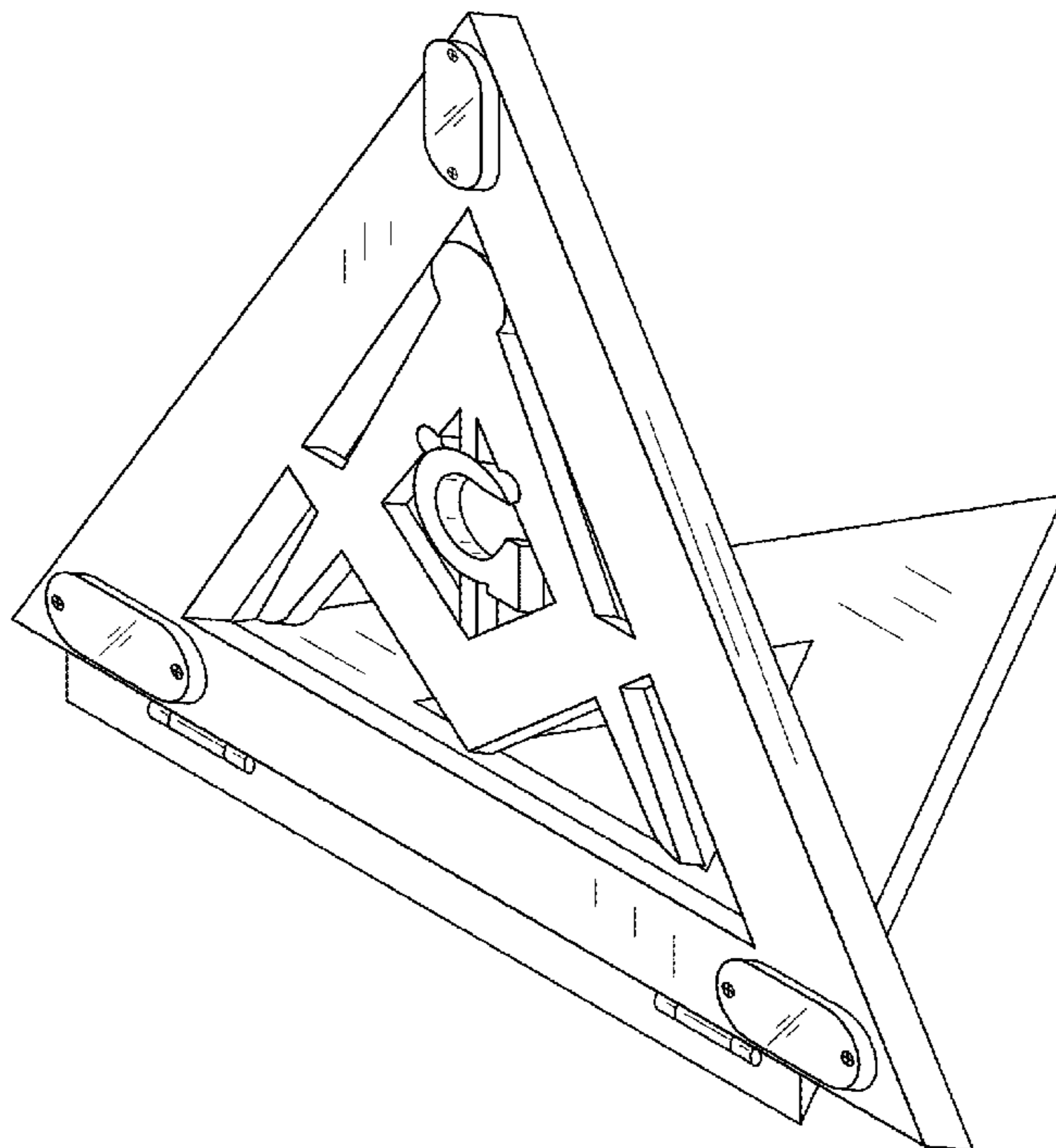
(57) **CLAIM**

The ornamental design for a masonic meeting notification sign, as shown and described.

DESCRIPTION

FIG. 1 is a front view of a masonic meeting notification sign showing my new design;
FIG. 2 is a rear view of the masonic meeting notification sign;
FIG. 3 is a left side view of the masonic meeting notification sign, a right side view being a mirror image thereof;
FIG. 4 is a top view of the masonic meeting notification sign;
FIG. 5 is a bottom view of the masonic meeting notification sign; and,
FIG. 6 is a top front side perspective view of the masonic meeting notification sign.

1 Claim, 5 Drawing Sheets



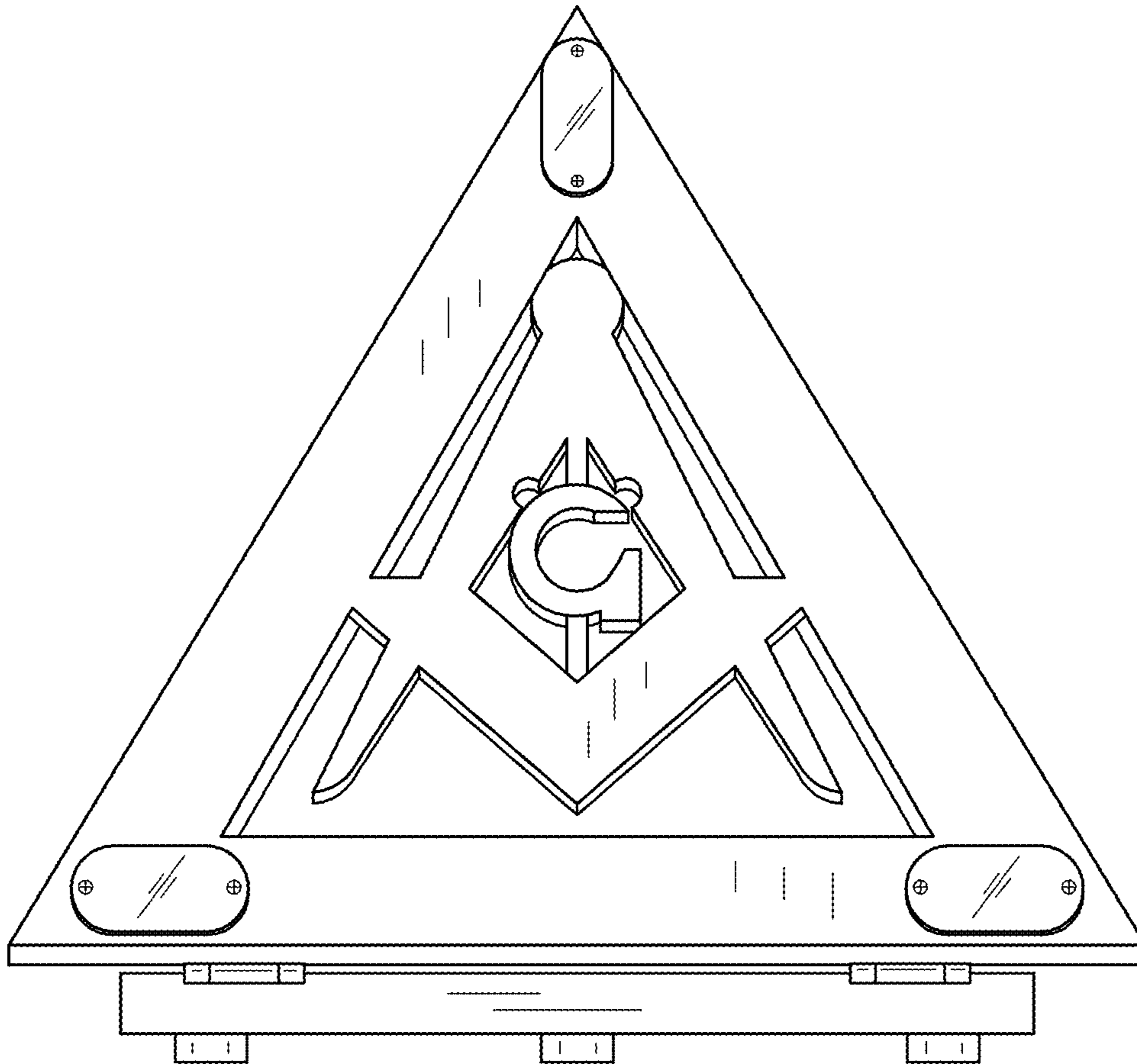


FIG. 1

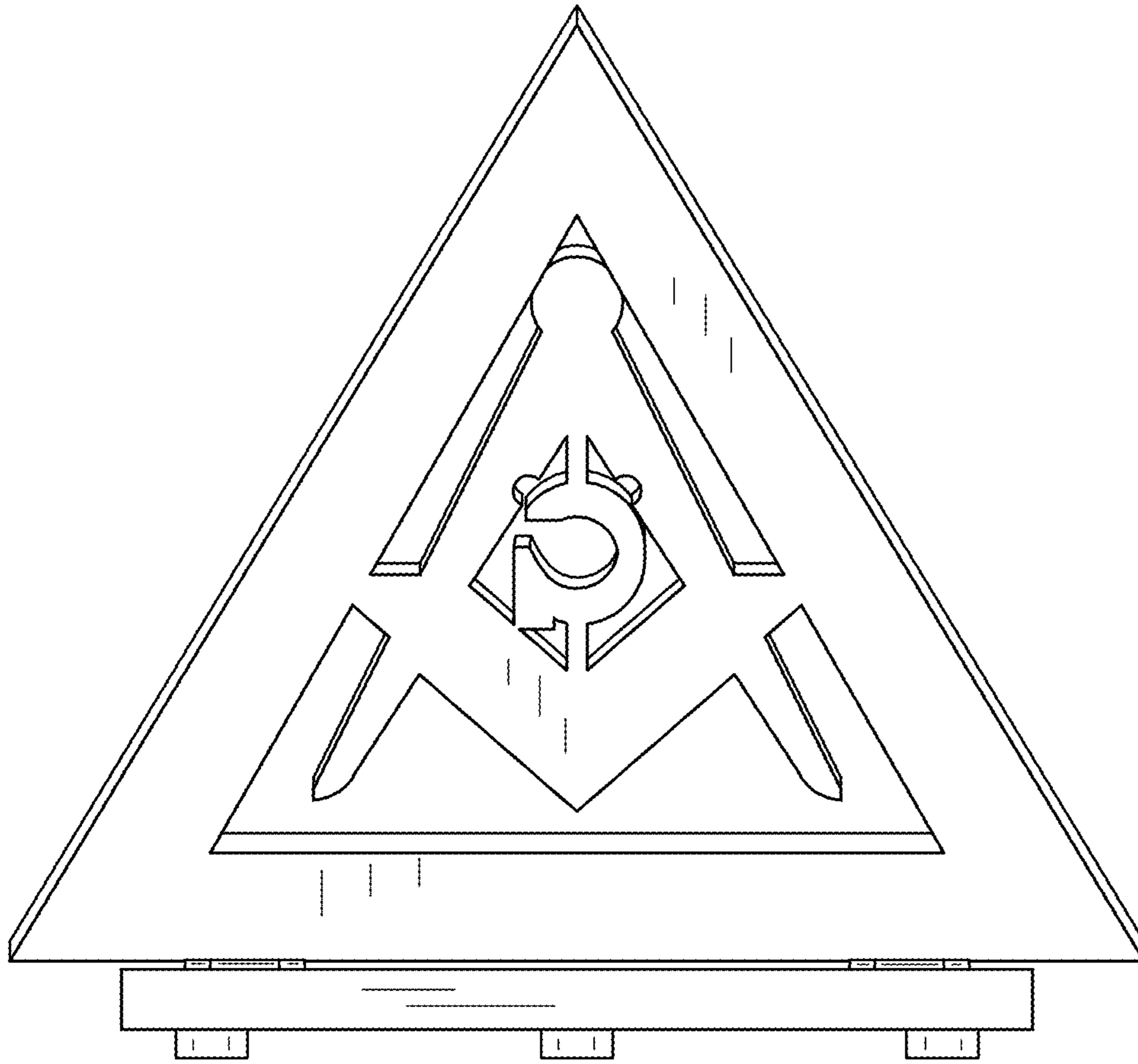


FIG. 2

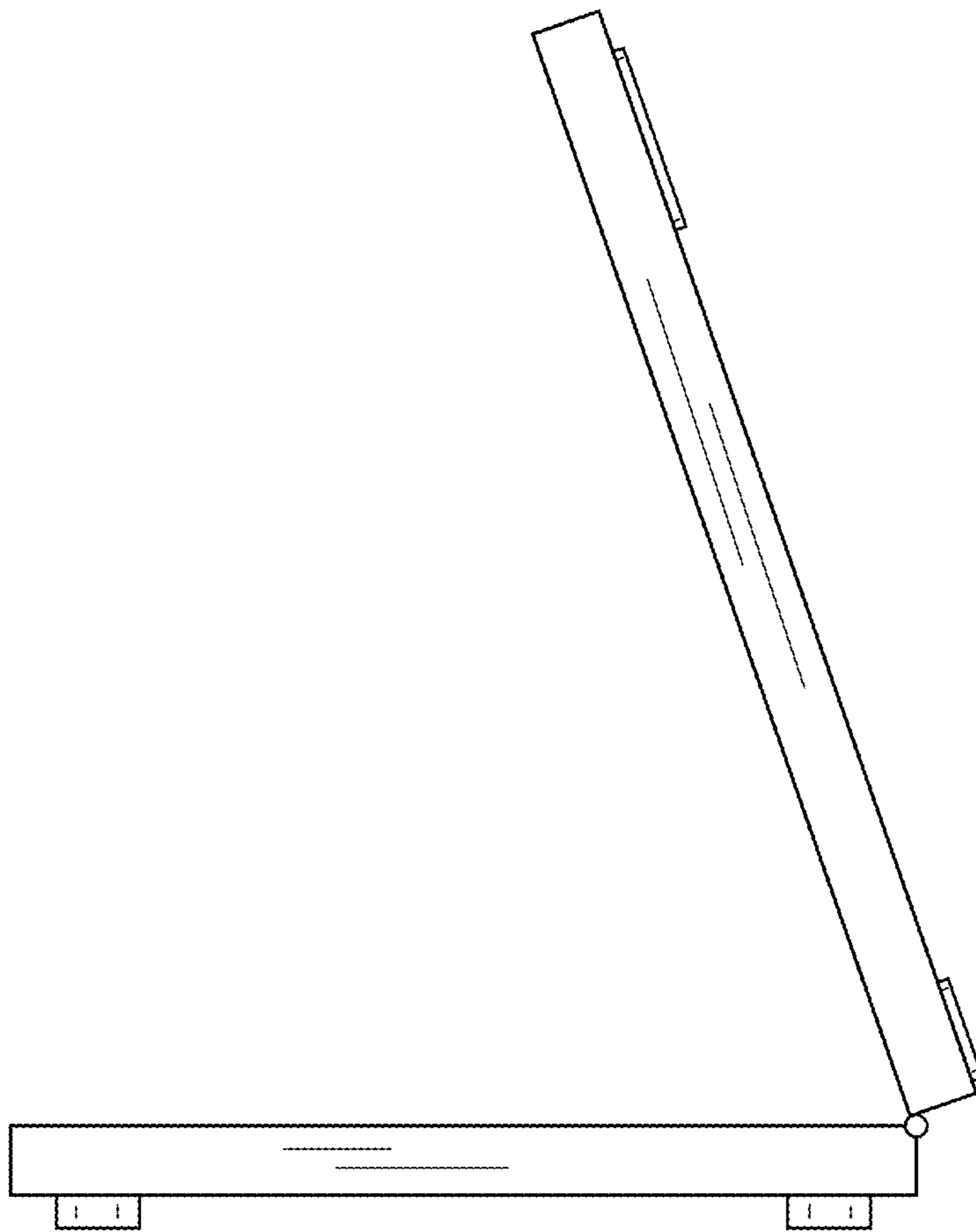


FIG. 3

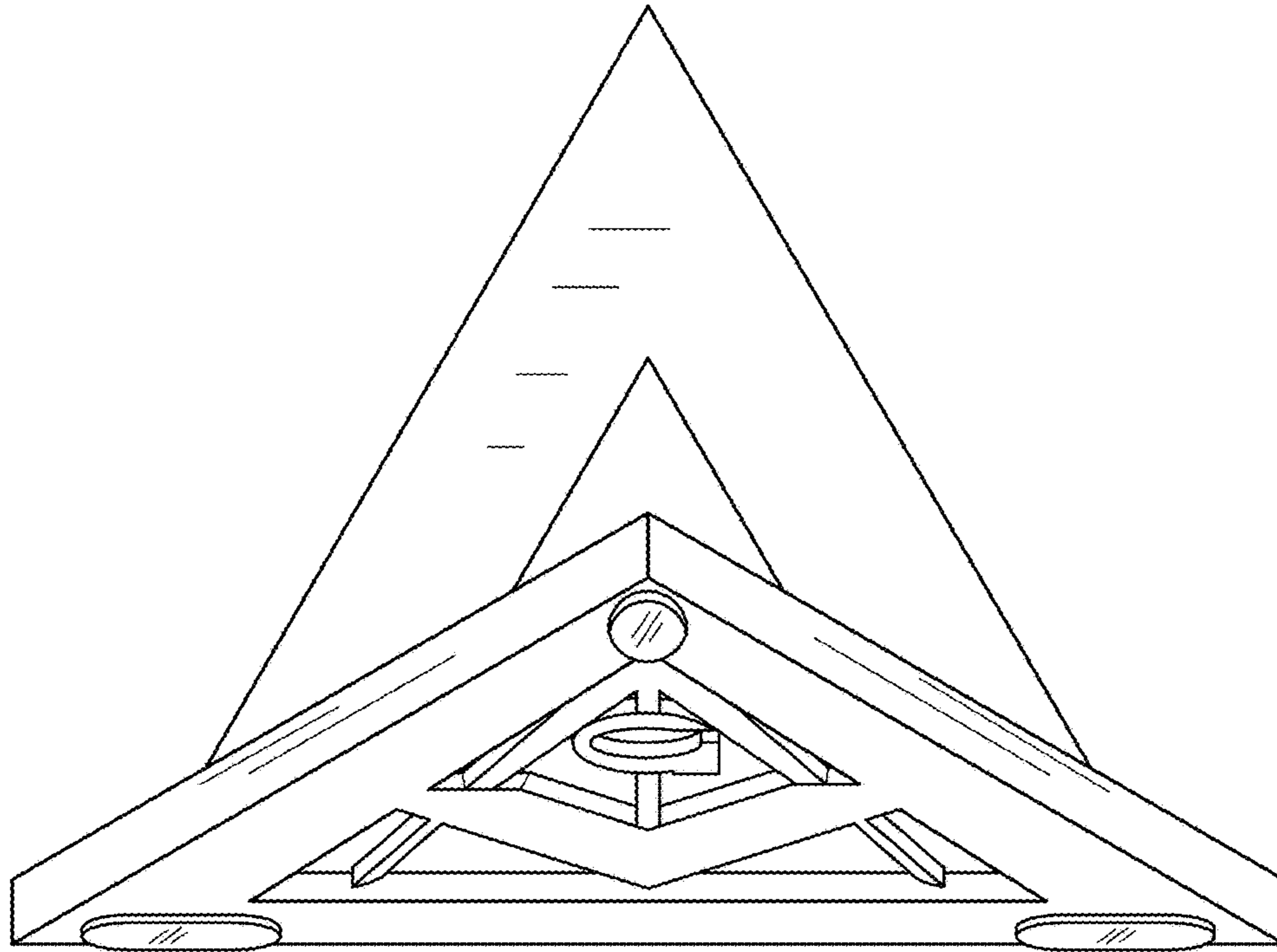


FIG. 4

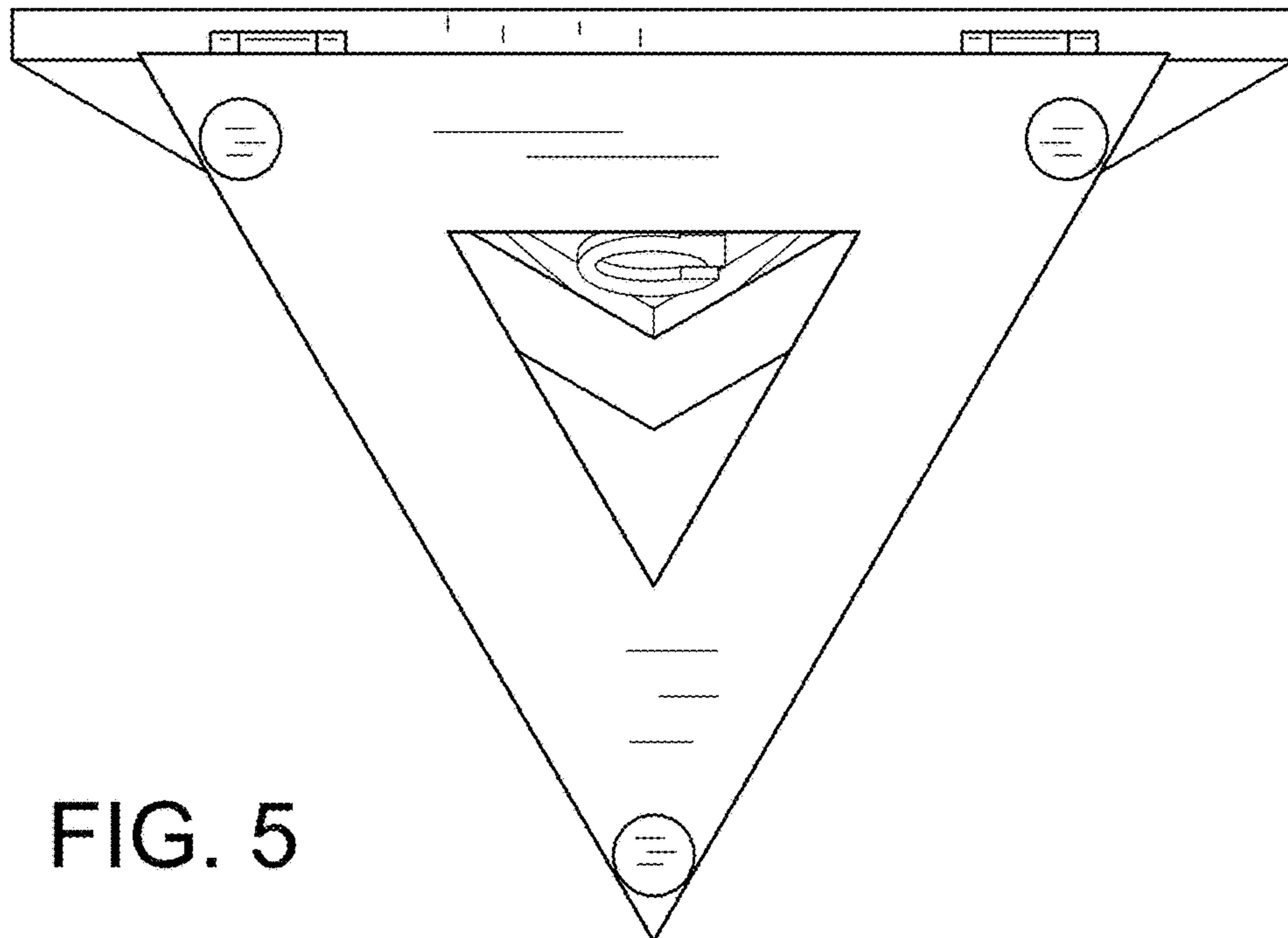


FIG. 5

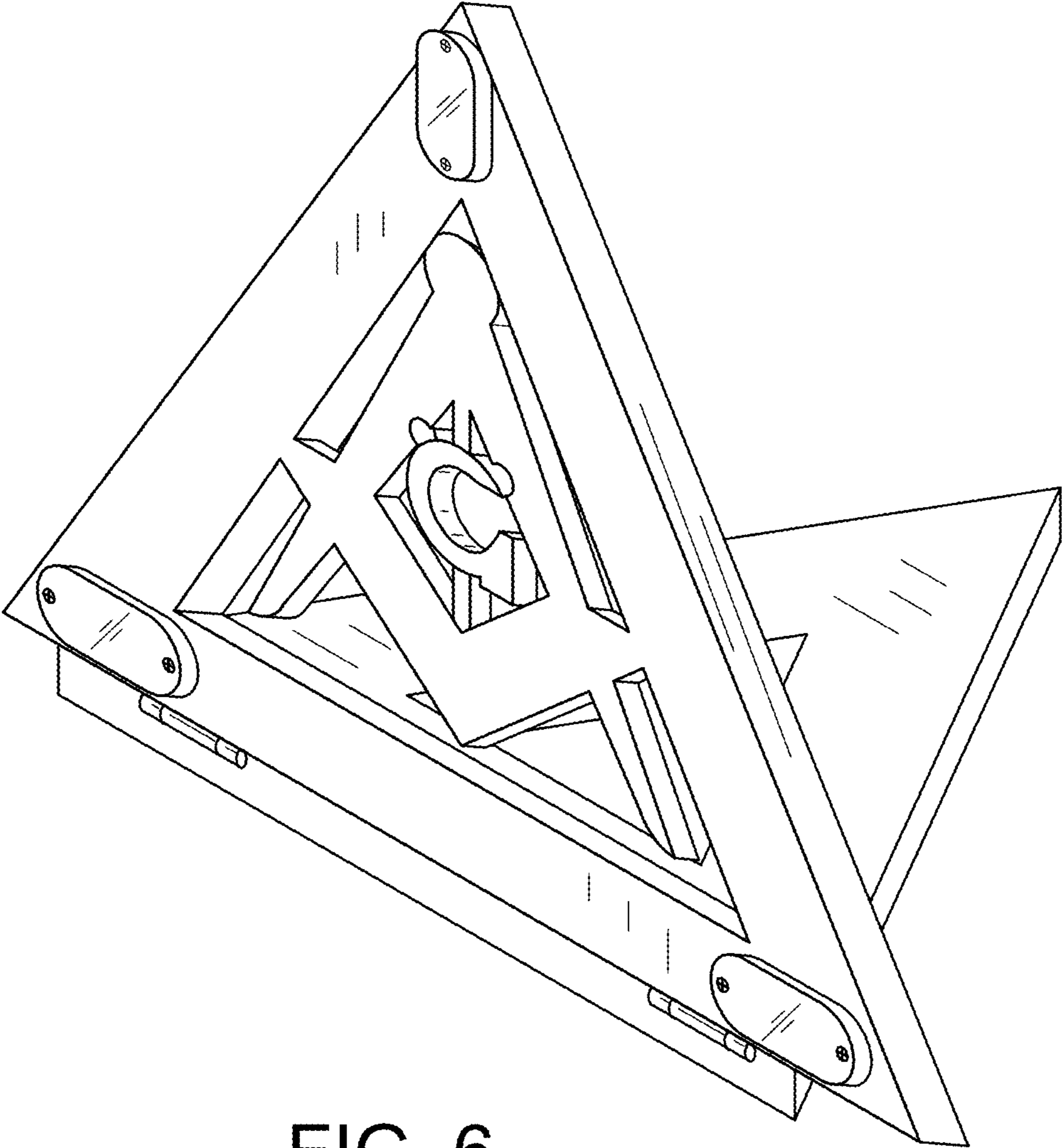


FIG. 6