



US00D785711S

(12) **United States Design Patent** (10) **Patent No.:** **US D785,711 S**
Lin (45) **Date of Patent:** **** *May 2, 2017**

(54) **LABEL FOR CONTROL PANEL**

(71) Applicant: **CHYNG HONG ELECTRONIC CO., LTD.**, Taichung (TW)

(72) Inventor: **Mu-Chun Lin**, Taichung (TW)

(73) Assignee: **CHYNG HONG ELECTRONIC CO., LTD.**, Taichung (TW)

(*) Notice: This patent is subject to a terminal disclaimer.

(**) Term: **15 Years**

(21) Appl. No.: **29/555,865**

(22) Filed: **Feb. 25, 2016**

(51) **LOC (10) Cl.** **19-08**

(52) **U.S. Cl.**
USPC **D20/27**

(58) **Field of Classification Search**
USPC D20/11, 19, 22-29, 40, 99; D9/434, 457; D19/1, 9, 10
CPC G09F 1/00; G09F 1/02; G09F 2003/0201; G09F 2003/0202; G09F 2003/0208; G09F 2003/021; G09F 2003/023; G09F 2003/0241; G09F 2003/0264; G09F 2003/0266; G09F 2003/0267; G09F 2003/0276; G09F 2003/0285; G09F 2003/03; G09F 2003/0279

See application file for complete search history.

(56) **References Cited**

U.S. PATENT DOCUMENTS

D261,778 S *	11/1981	Wippen	D20/27
D393,487 S *	4/1998	Cunitz	D20/22
D396,250 S *	7/1998	Mogensen	D20/22
D432,176 S *	10/2000	Stevens	D20/22
D472,573 S *	4/2003	Hesse, III	D19/1
D490,114 S *	5/2004	Dalmou-Salmons	D20/27
D515,140 S *	2/2006	Li	D20/27
D686,069 S *	7/2013	DiFranza	D9/434
D757,179 S *	5/2016	Jabara	D20/27

* cited by examiner

Primary Examiner — Mary Ann Calabrese
(74) *Attorney, Agent, or Firm* — Ming Chow; Sinorica, LLC

(57) **CLAIM**

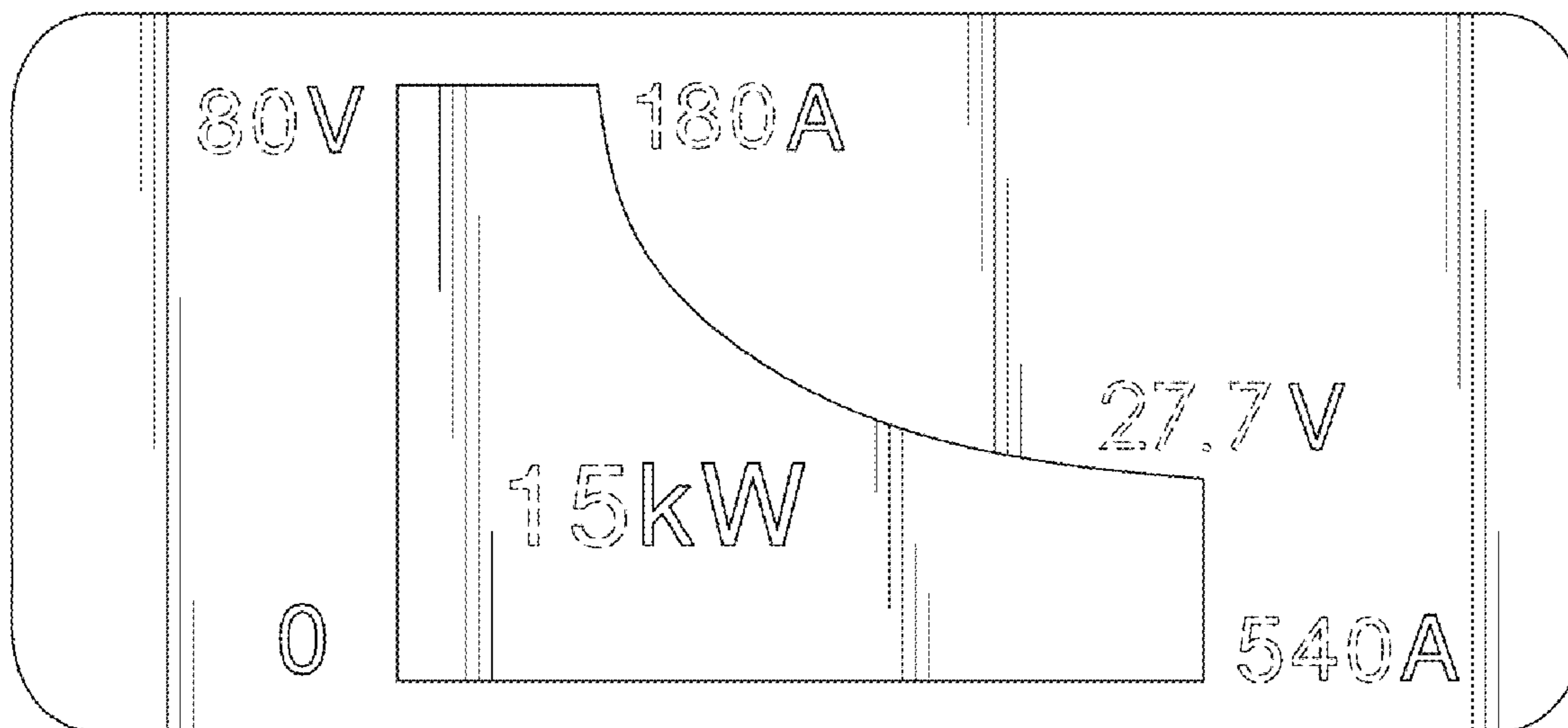
I claim the ornamental design for a label for control panel, as shown and described.

DESCRIPTION

FIG. 1 is a front elevational view of a label for control panel showing my new design; and, FIG. 2 is a front end view of the label for control panel in accordance with my design, shown in its environment thereof.

The broken lines are for the purpose of illustrating environmental structure and form no part of the claimed design.

1 Claim, 2 Drawing Sheets



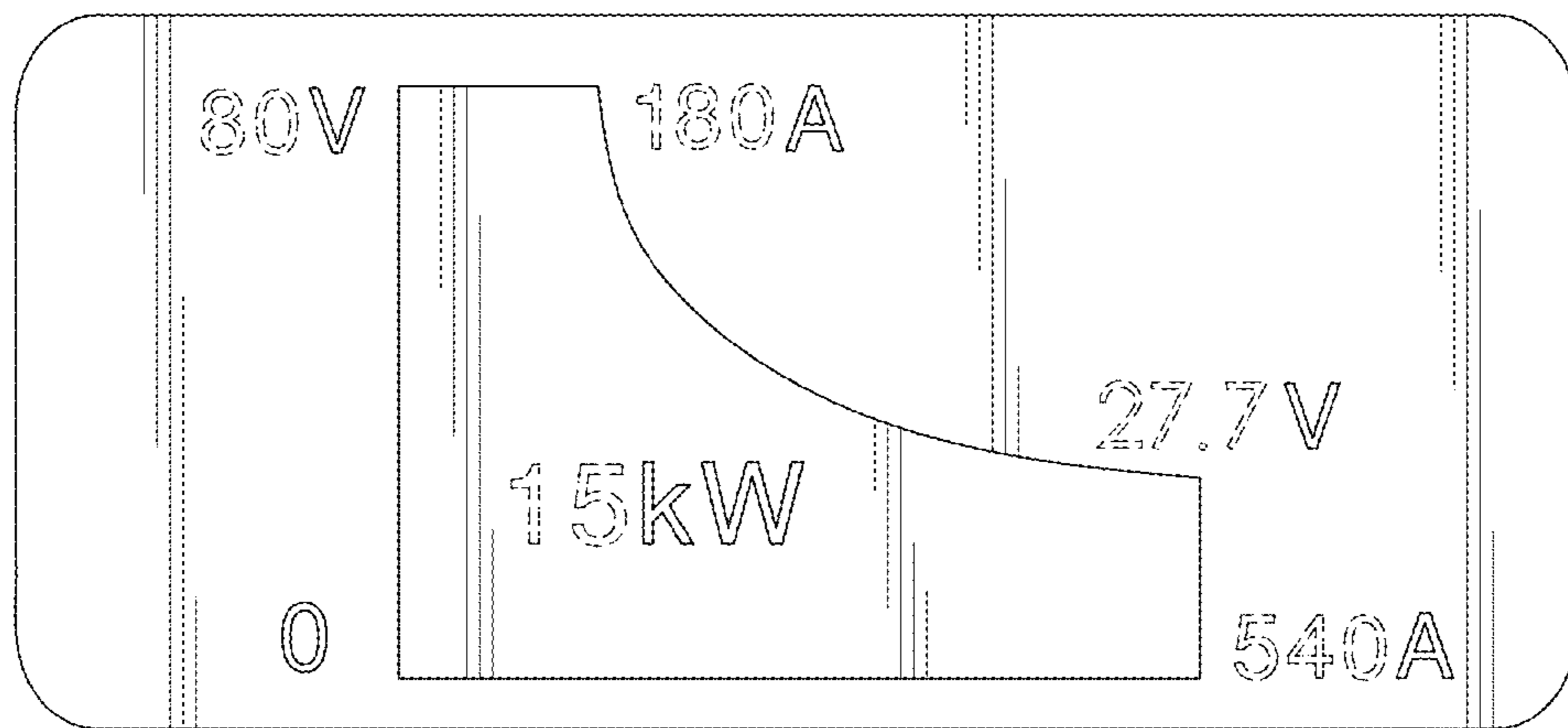


FIG. 1

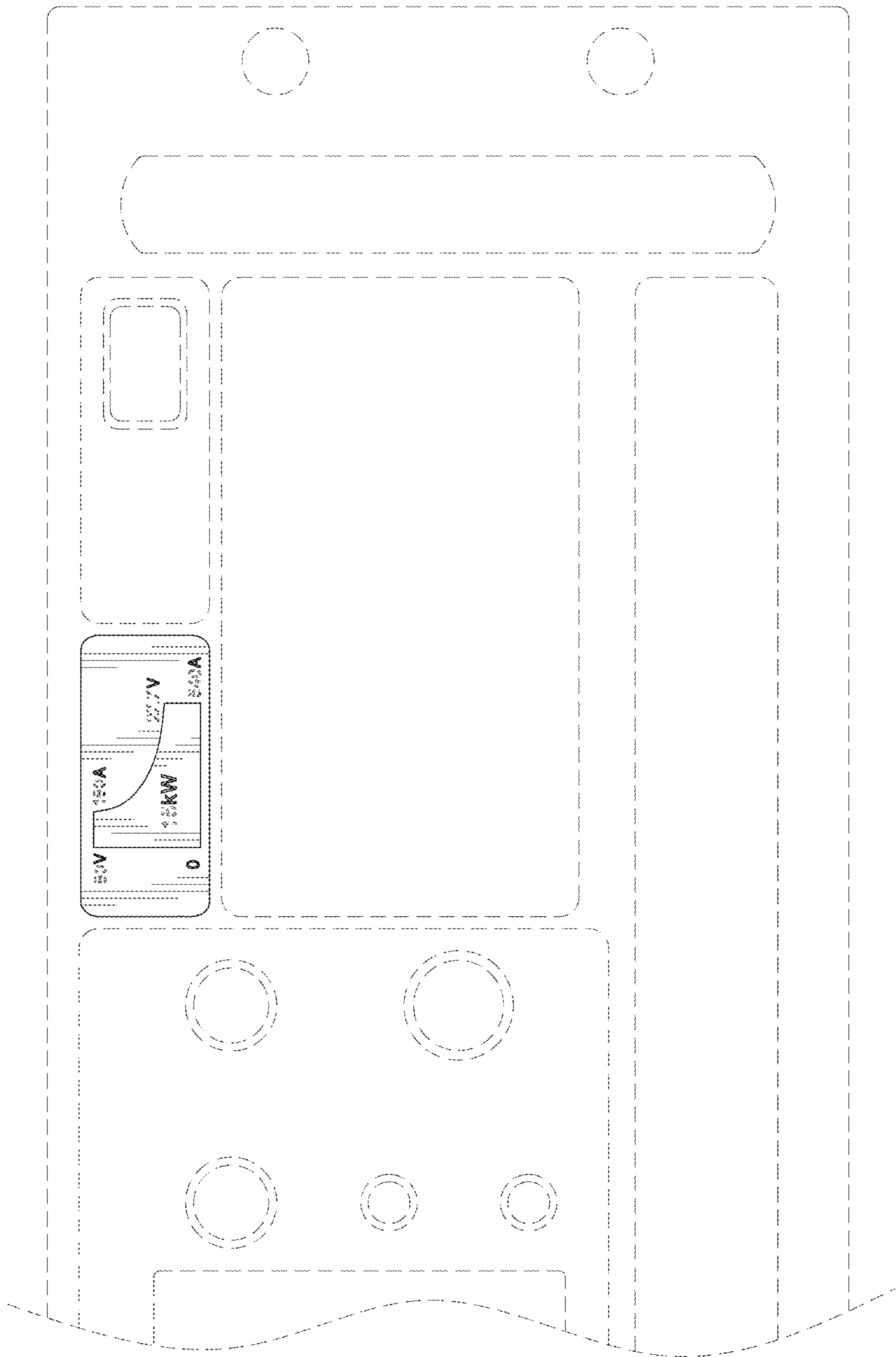


FIG. 2