



US00D785710S

(12) **United States Design Patent** (10) **Patent No.:** **US D785,710 S**  
**Lin** (45) **Date of Patent:** **\*\* \*May 2, 2017**

(54) **LABEL FOR CONTROL PANEL**  
(71) Applicant: **CHYNG HONG ELECTRONIC CO., LTD.**, Taichung (TW)  
(72) Inventor: **Mu-Chun Lin**, Taichung (TW)  
(73) Assignee: **CHYNG HONG ELECTRONIC CO., LTD.**, Taichung (TW)  
(\* ) Notice: This patent is subject to a terminal disclaimer.  
(\*\*) Term: **15 Years**  
(21) Appl. No.: **29/551,311**  
(22) Filed: **Jan. 12, 2016**  
(51) **LOC (10) Cl.** ..... **19-08**  
(52) **U.S. Cl.**  
USPC ..... **D20/27**  
(58) **Field of Classification Search**  
USPC .... D20/11, 19, 22-29, 40, 99; D9/434, 457; D19/1, 9, 10  
CPC ..... G09F 1/00; G09F 1/02; G09F 3/00; G09F 3/02; G09F 3/0297; G09F 3/10; G09F 2003/0201; G09F 2003/0202; G09F 2003/0208; G09F 2003/021; G09F 2003/023; G09F 2003/0241; G09F 2003/0264; G09F 2003/0266; G09F 2003/0267; G09F 2003/0276; G09F 2003/0285; G09F 2003/03; G09F 2003/0279  
See application file for complete search history.

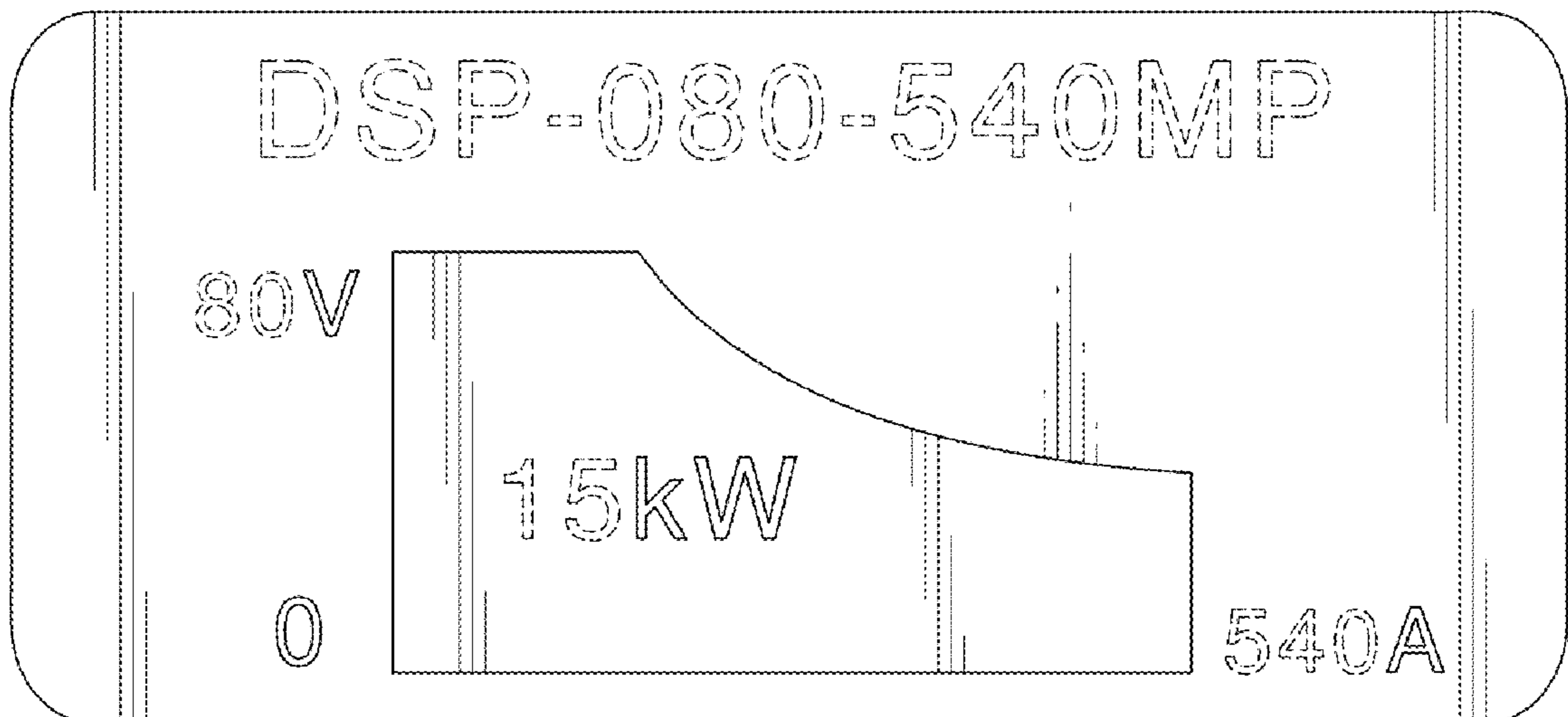
(56) **References Cited**  
U.S. PATENT DOCUMENTS  
D261,778 S \* 11/1981 Wipperm ..... D20/27  
D393,487 S \* 4/1998 Cunitz ..... D20/22  
D396,250 S \* 7/1998 Mogensen ..... D20/22  
D432,176 S \* 10/2000 Stevens ..... D20/22  
D472,573 S \* 4/2003 Hesse, III ..... D19/1  
D490,114 S \* 5/2004 Dalmau-Salmons ..... D20/27  
D515,140 S \* 2/2006 Li ..... D20/27  
D686,069 S \* 7/2013 DiFranza ..... D9/434  
D757,179 S \* 5/2016 Jabara ..... D20/27  
\* cited by examiner

*Primary Examiner* — Mary Ann Calabrese  
(74) *Attorney, Agent, or Firm* — Ming Chow; Sinorica, LLC

(57) **CLAIM**  
I claim the ornamental design for a label for control panel, as shown and described.

**DESCRIPTION**  
FIG. 1 is a front elevational view of a label for control panel showing my new design; and,  
FIG. 2 is a front end view of the label for control panel in accordance with my design, shown in its environment thereof.  
The broken lines are for the purpose of illustrating environmental structure and form no part of the claimed design.

**1 Claim, 2 Drawing Sheets**



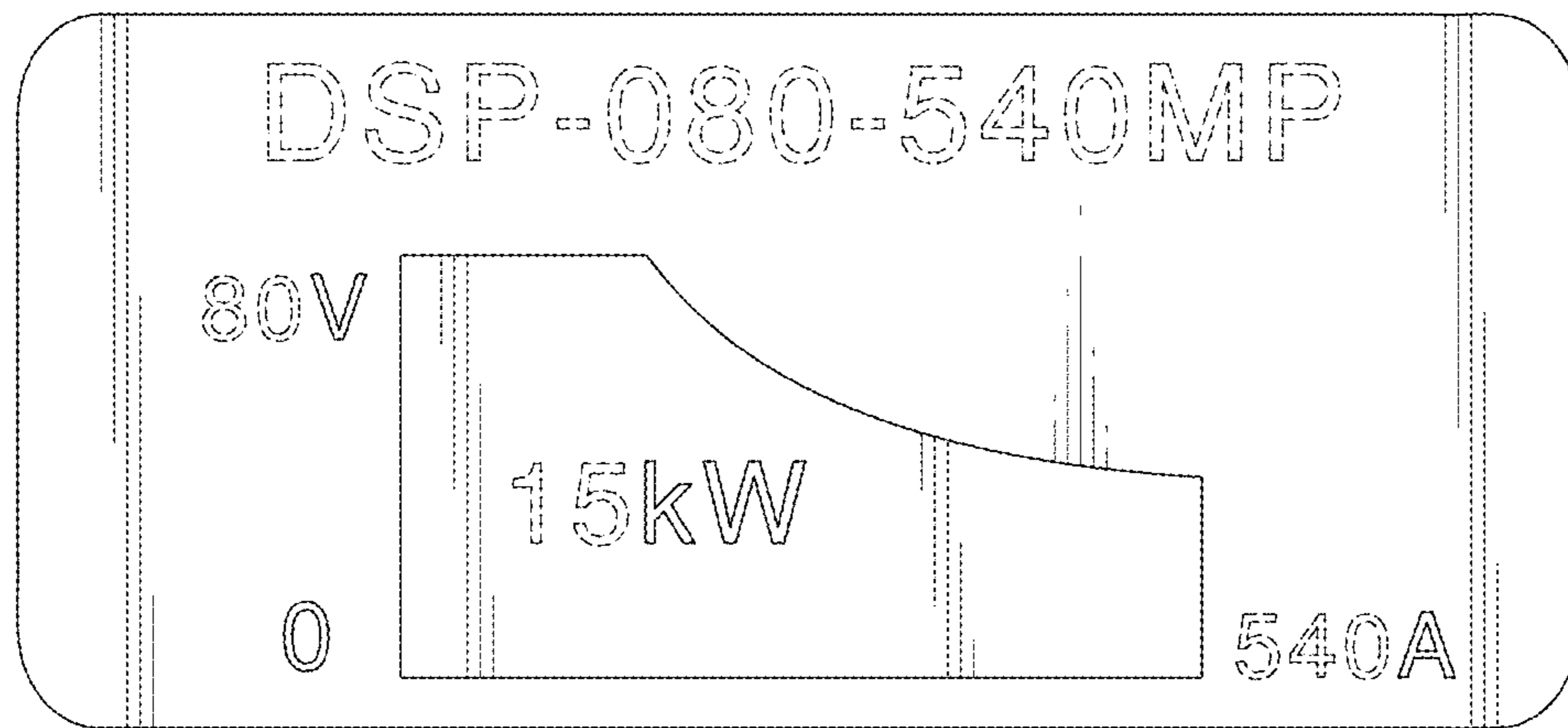


FIG. 1

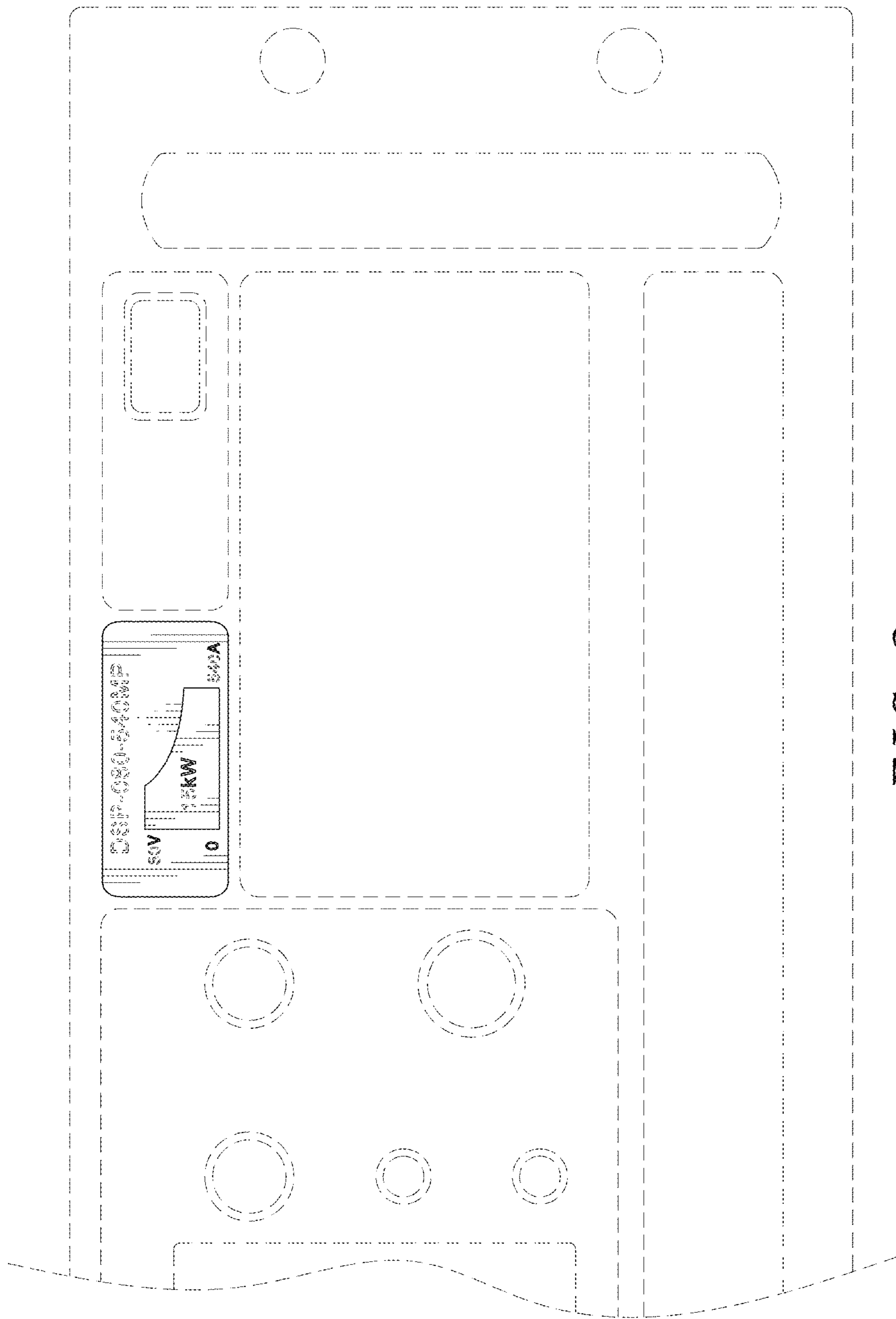


FIG. 2