



US00D785709S

(12) **United States Design Patent** (10) **Patent No.:** **US D785,709 S**
Chen et al. (45) **Date of Patent:** **** May 2, 2017**

(54) **BEVERAGE MACHINE** 6,234,071 B1 * 5/2001 Catarain Arregui ... A23N 1/003
99/501
(71) Applicant: **Hisense Ronshen (Guangdong)** D747,414 S * 1/2016 Chen D20/1
Refrigerator Co., Ltd., Guangdong 2002/0166872 A1* 11/2002 Guindulain
(CN) Vidondo G07F 13/065
(72) Inventors: **Jia Chen, Guangdong (CN); Xiang** 2005/0000974 A1* 1/2005 Chirnomas G07F 5/18
Wu, Guangdong (CN); Xianhui Xu, 2015/0013545 A1* 1/2015 Egli A47J 31/401
Guangdong (CN) 99/286

(73) Assignee: **Hisense Ronshen (Guangdong)**
Refrigerator Co., Ltd., Guangdong
(CN)

* cited by examiner

Primary Examiner — Mary Ann Calabrese

(**) Term: **14 Years**

(74) *Attorney, Agent, or Firm* — Muncy, Geissler, Olds & Lowe, P.C.

(21) Appl. No.: **29/513,532**

(22) Filed: **Dec. 31, 2014**

(57) **CLAIM**

(30) **Foreign Application Priority Data**

The ornamental design for a beverage machine, as shown and described.

Sep. 22, 2014 (CN) 2014 3 0352370

(51) **LOC (10) Cl.** **20-01**

(52) **U.S. Cl.**
USPC **D20/1**

(58) **Field of Classification Search**
USPC D20/1-9; D7/300, 307, 306, 316;
D15/79, 81
CPC G07F 11/00; G07F 11/02; G07F 11/04;
G07F 11/20; G07F 11/32; G07F 11/46;
G07F 11/62
See application file for complete search history.

DESCRIPTION

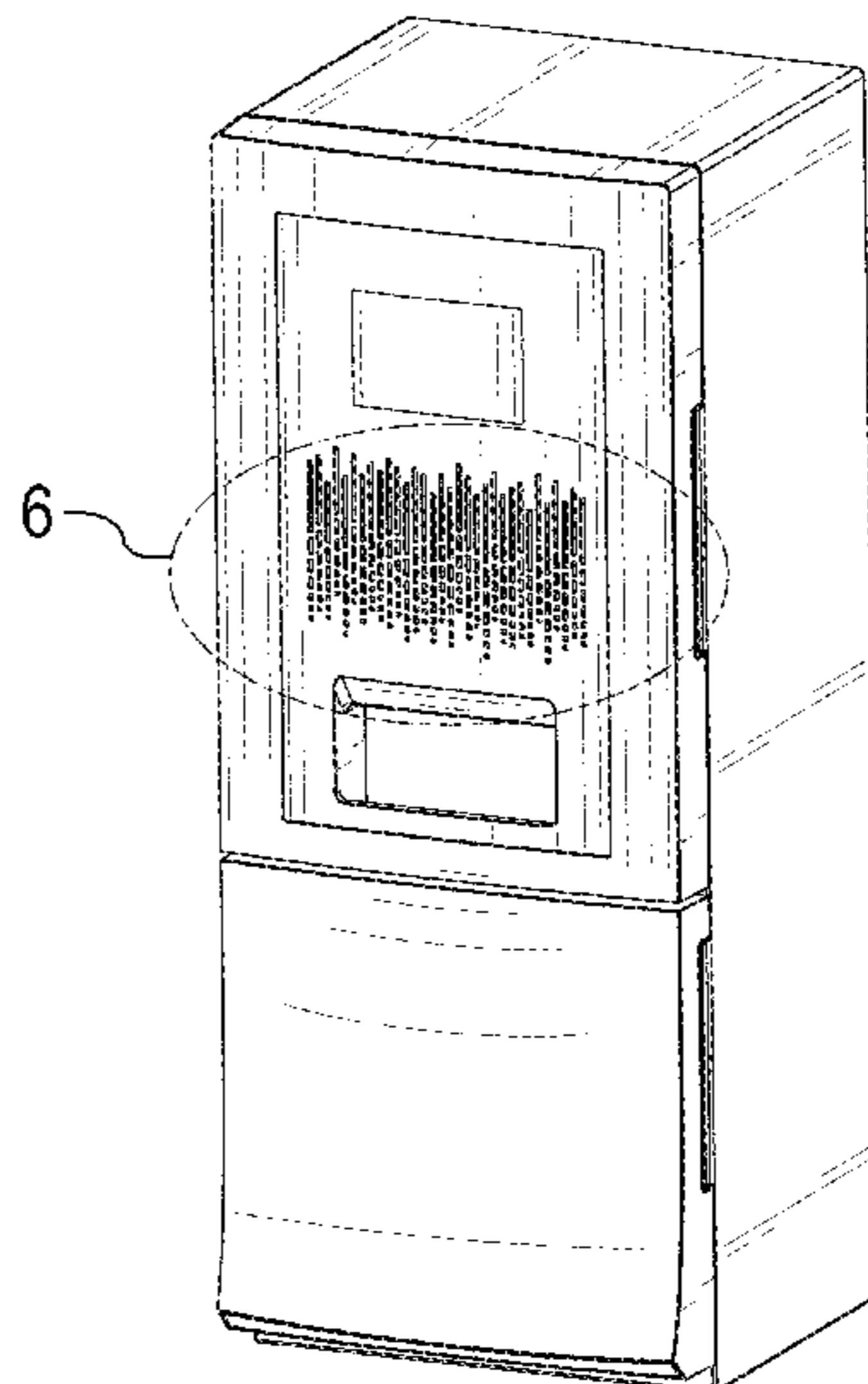
FIG. 1 is a front elevational view of a beverage machine showing our new design;
FIG. 2 is a left side view thereof;
FIG. 3 is a right side view thereof;
FIG. 4 is a top plan view thereof, the bottom thereof being unornamented;
FIG. 5 is a front right perspective view thereof; and,
FIG. 6 is an enlarged view of portion 6 of FIG. 5.

(56) **References Cited**

U.S. PATENT DOCUMENTS

2,735,578 A * 2/1956 Woodruff G07F 11/46
221/11
5,947,330 A * 9/1999 Kim G07F 9/026
222/129.1

1 Claim, 5 Drawing Sheets



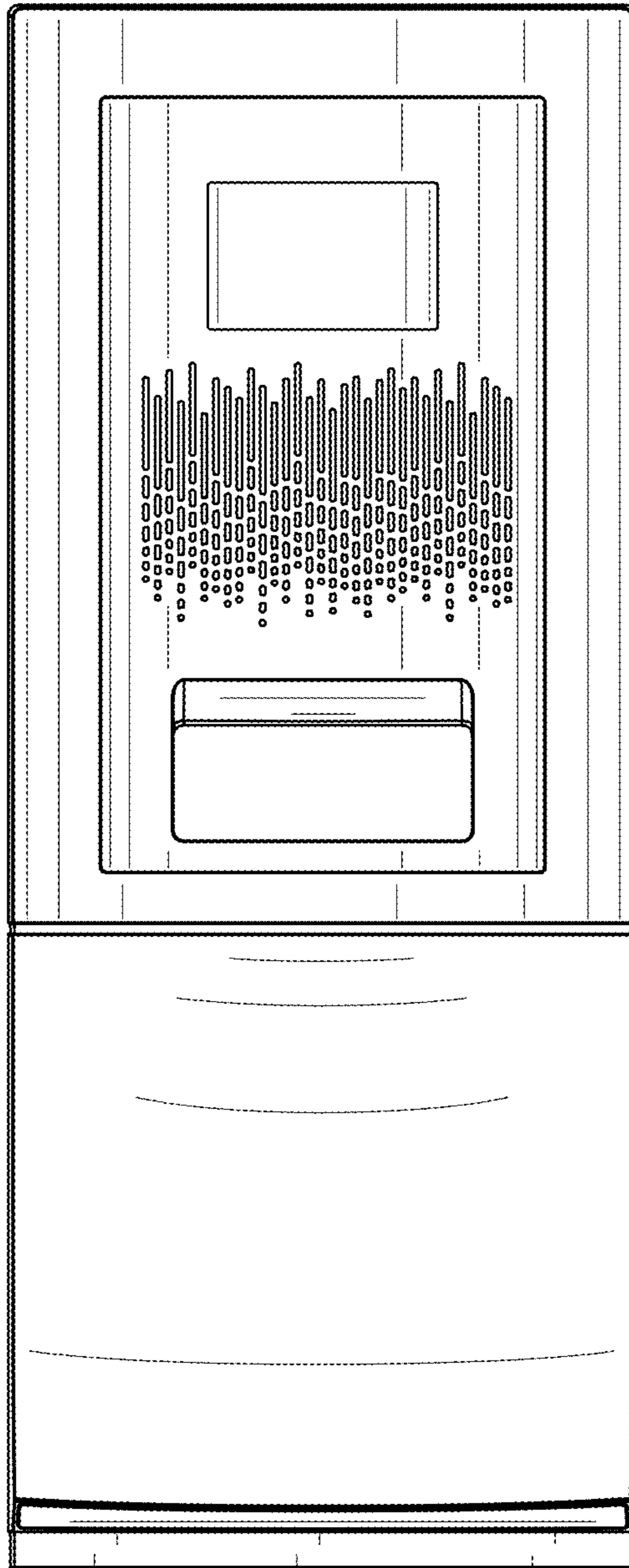


FIG. 1

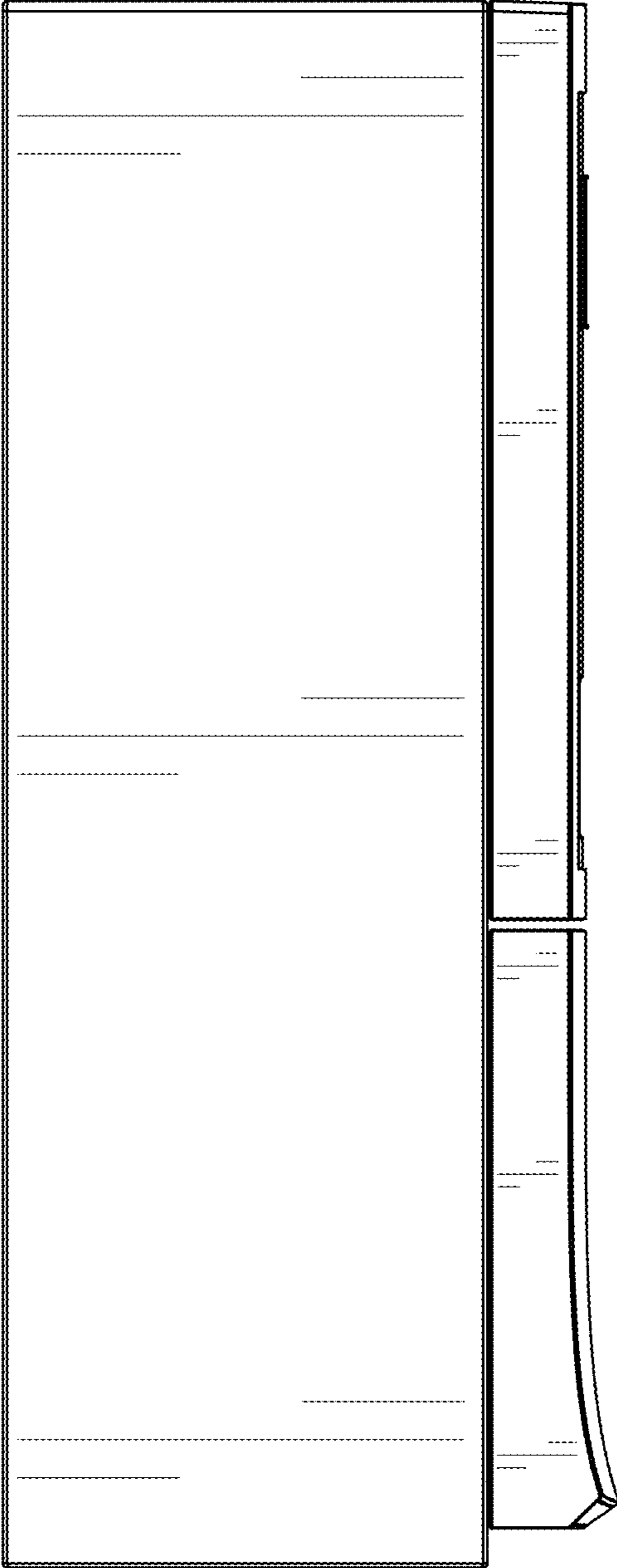


FIG. 2

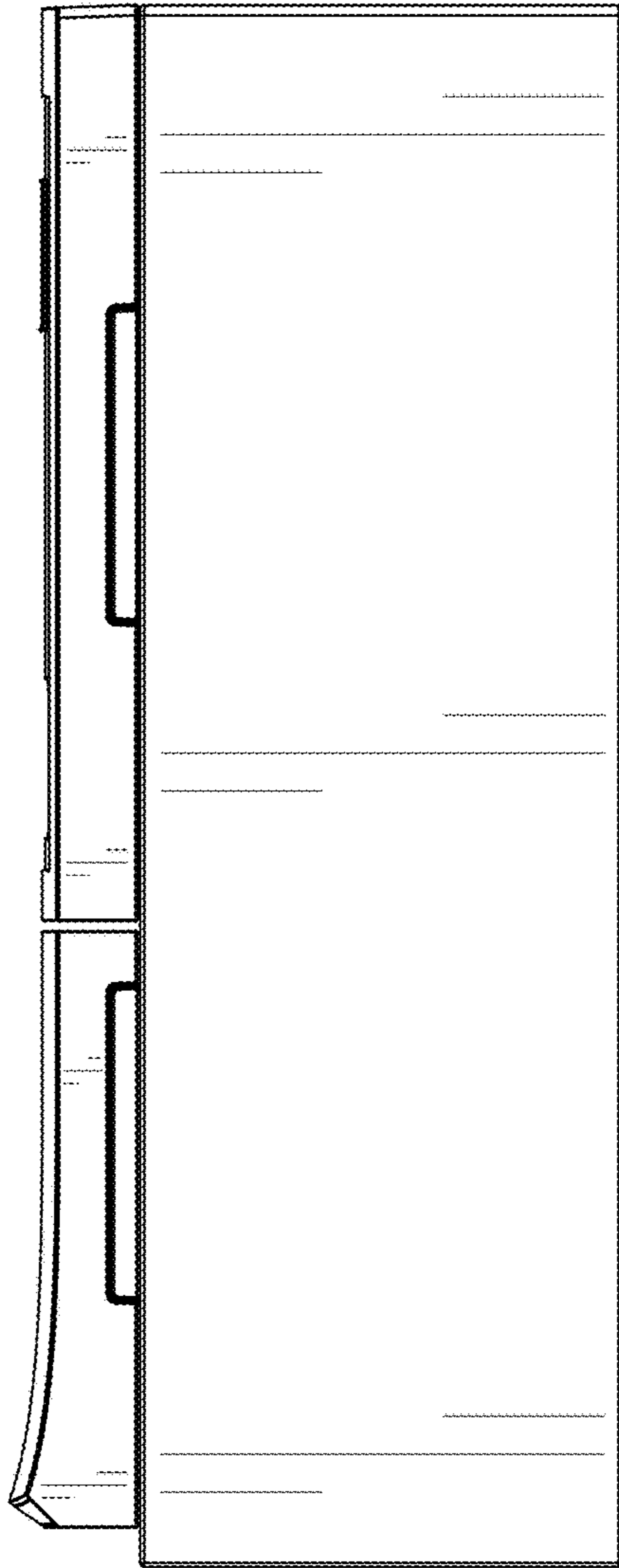


FIG. 3

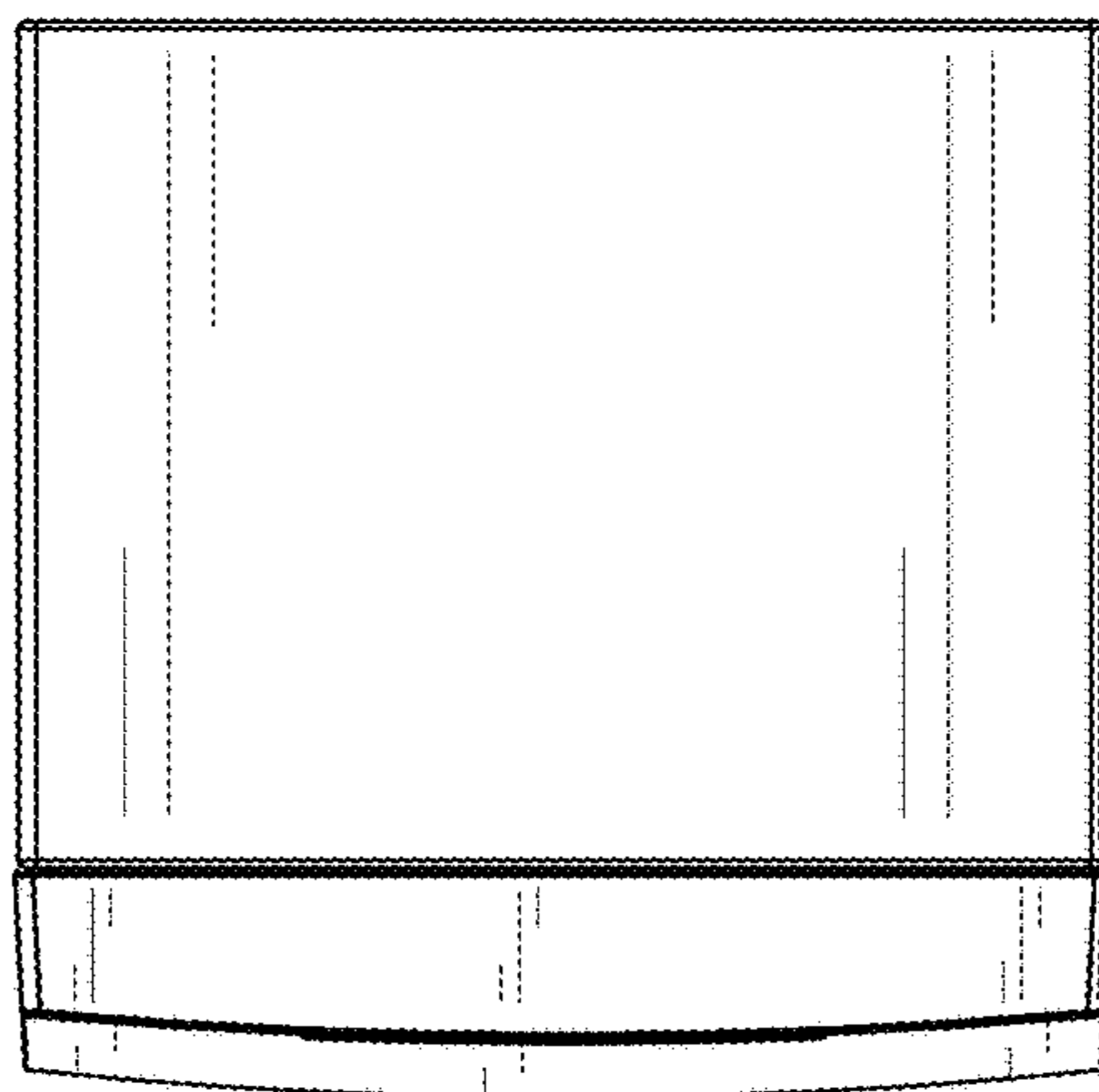


FIG. 4

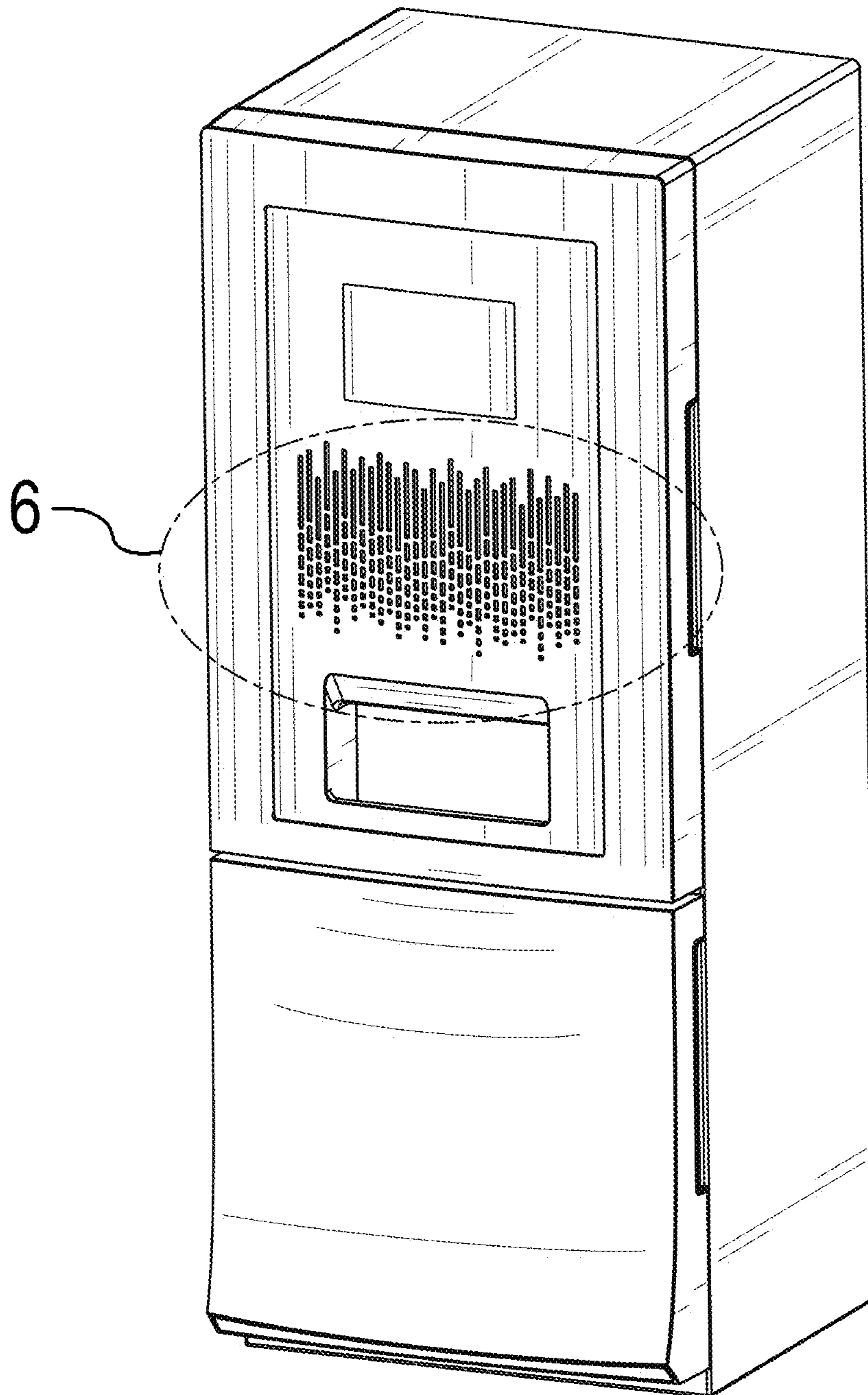


FIG. 5

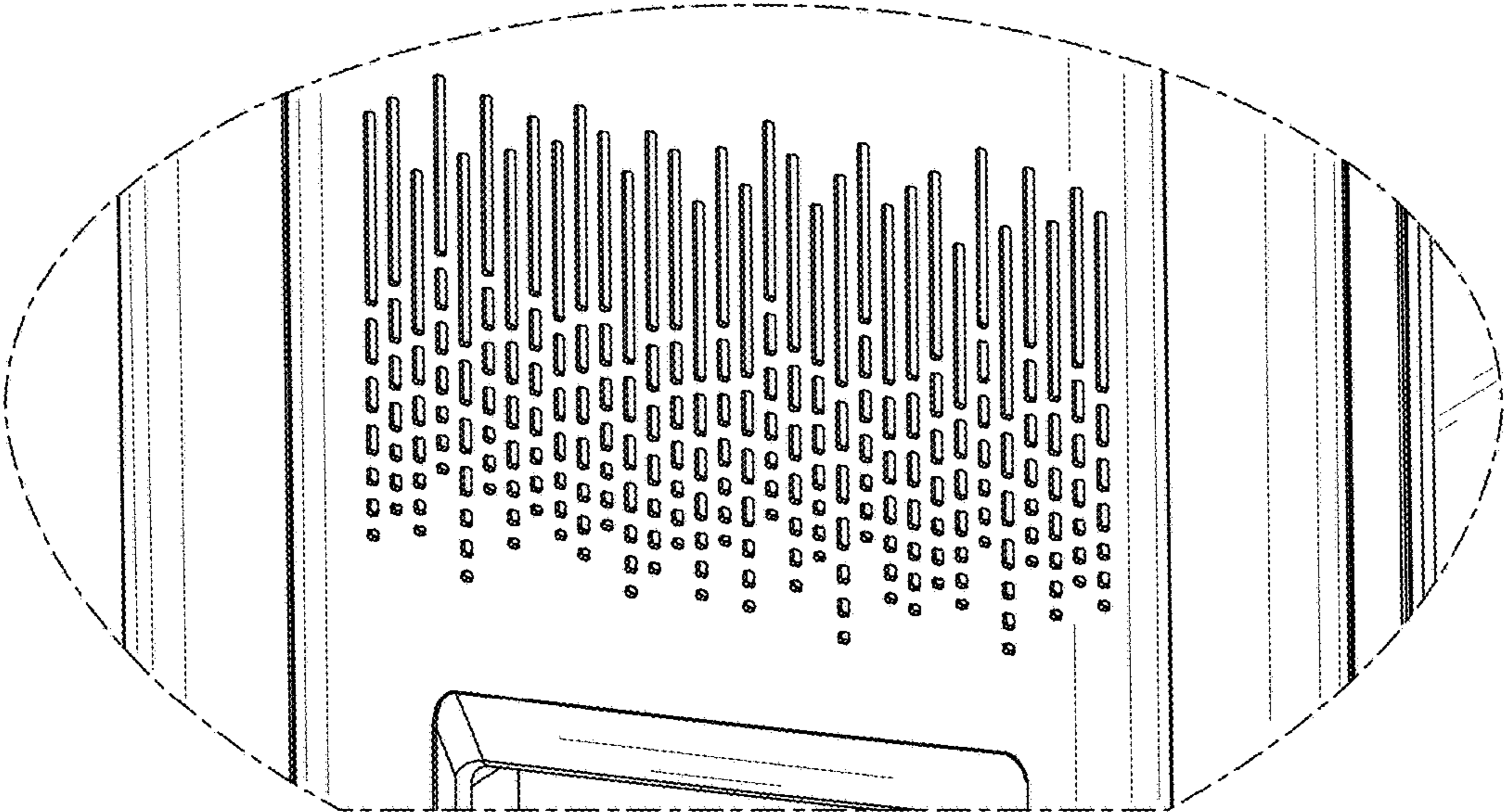


FIG. 6