



US00D785707S

(12) **United States Design Patent** (10) **Patent No.:** **US D785,707 S**  
**Carreno et al.** (45) **Date of Patent:** **\*\* May 2, 2017**

(54) **PEN**  
(71) Applicant: **Europe Brands S.à r.l**, Luxembourg (LU)  
(72) Inventors: **Alfredo Carreno**, Portage, MI (US); **Jeffrey Browne**, Portage, IL (US)  
(\*\*) Term: **15 Years**  
(21) Appl. No.: **29/546,988**  
(22) Filed: **Nov. 30, 2015**  
(51) **LOC (10) Cl.** ..... **19-06**  
(52) **U.S. Cl.**  
USPC ..... **D19/171**  
(58) **Field of Classification Search**  
USPC ..... D14/411, 431, 480.3; D19/115–204  
CPC . B43K 5/005; B43K 7/00; B43K 7/12; B43K 8/04; B43K 8/06; B43K 19/00; B43K 19/02; B43K 19/14; B43K 24/08; B43K 24/084  
See application file for complete search history.

(56) **References Cited**  
U.S. PATENT DOCUMENTS  
D338,491 S \* 8/1993 Hollington ..... D19/170  
D355,439 S \* 2/1995 Hollington ..... D19/168  
D372,048 S \* 7/1996 Hollington ..... D19/168  
D378,763 S \* 4/1997 Hollington ..... D19/174  
D423,579 S \* 4/2000 Andrews ..... D19/174  
D425,119 S \* 5/2000 Andrews ..... D19/168  
D438,245 S \* 2/2001 Hollington ..... D19/175  
D438,247 S \* 2/2001 Polidoro ..... D19/197  
D438,248 S \* 2/2001 Hollington ..... D19/196

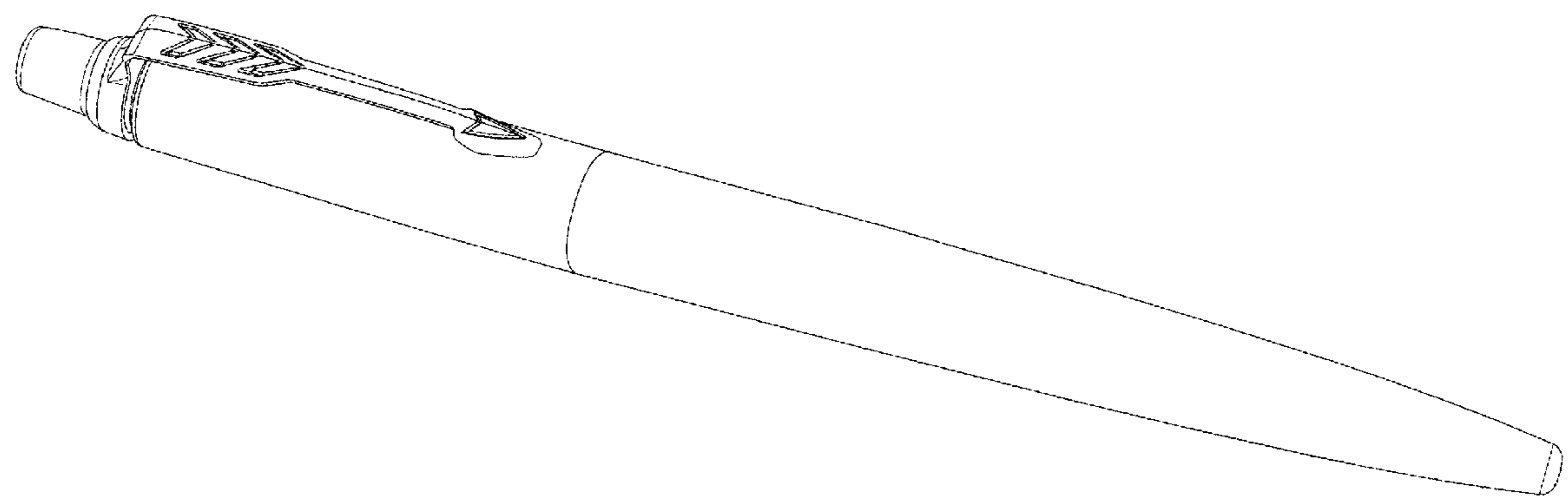
D438,249 S \* 2/2001 Hollington ..... D19/196  
D477,026 S \* 7/2003 Stropkay ..... D19/170  
D478,626 S \* 8/2003 Stropkay ..... D19/174  
D488,507 S \* 4/2004 Finney ..... D19/172  
D490,464 S \* 5/2004 Andrews ..... D19/168  
D494,621 S \* 8/2004 Andrews ..... D19/196  
D507,303 S \* 7/2005 Andrews ..... D19/196  
D521,067 S \* 5/2006 Andrews ..... D19/175  
D525,303 S \* 7/2006 Andrews ..... D19/167  
D585,937 S \* 2/2009 Dhesse ..... D19/170  
D591,349 S \* 4/2009 Delancourt ..... D19/170  
D592,247 S \* 5/2009 Brown ..... D19/168  
D597,136 S \* 7/2009 Dhesse ..... D19/197  
D600,281 S \* 9/2009 Delancourt ..... D19/170  
D671,169 S \* 11/2012 Kermoal ..... D19/168  
D682,353 S \* 5/2013 Kermoal ..... D19/164  
D682,934 S \* 5/2013 Kermoal ..... D19/164  
D703,269 S \* 4/2014 Kermoal ..... D19/168  
D707,291 S \* 6/2014 Kermoal ..... D19/164

\* cited by examiner  
*Primary Examiner* — Elizabeth Albert  
(74) *Attorney, Agent, or Firm* — Europe Brands S.à r.l

(57) **CLAIM**  
The ornamental design for a “pen,” as shown and described.

**DESCRIPTION**  
FIG. 1 is a perspective view of a pen showing a new design; FIG. 2 is a front view thereof; FIG. 3 is a top view thereof; and, FIG. 4 is a left view thereof.  
The subject matter shown in dashed lines is for illustrative purposes and forms no part of the claimed design.

**1 Claim, 3 Drawing Sheets**



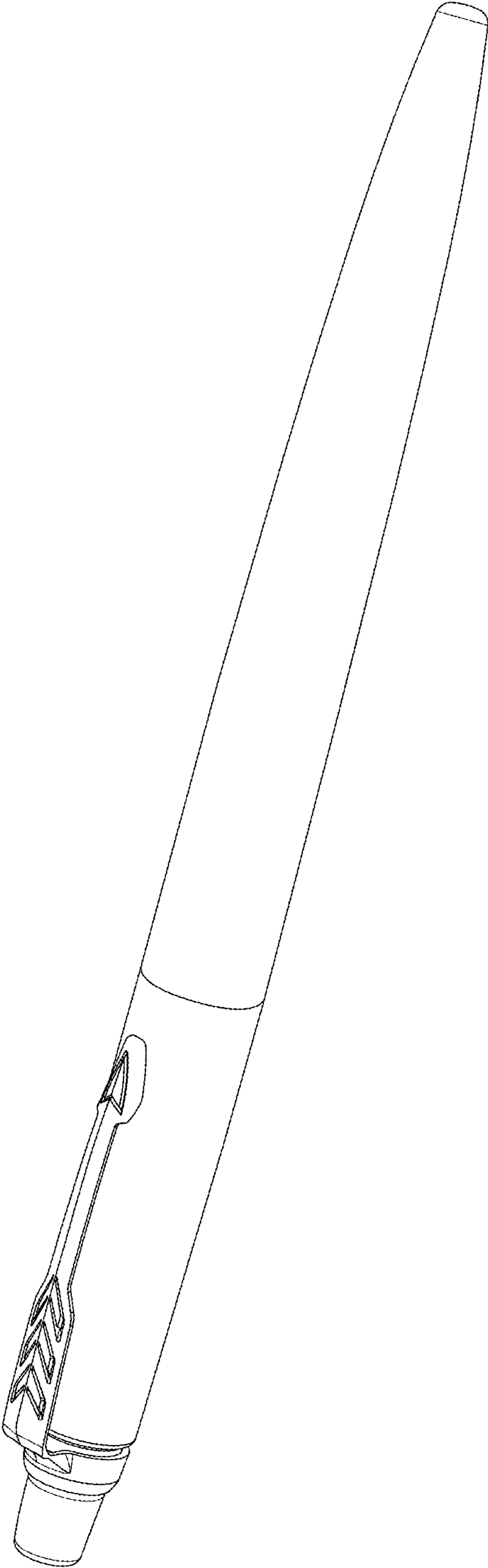


FIG. 1

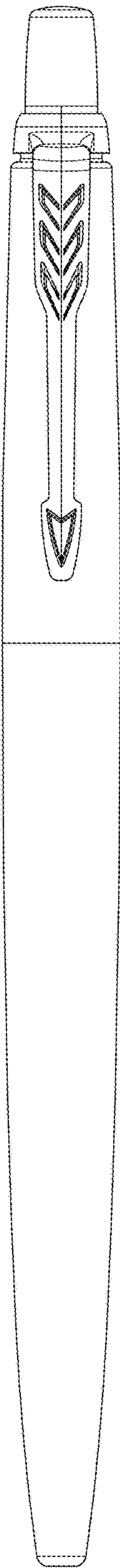


FIG. 2

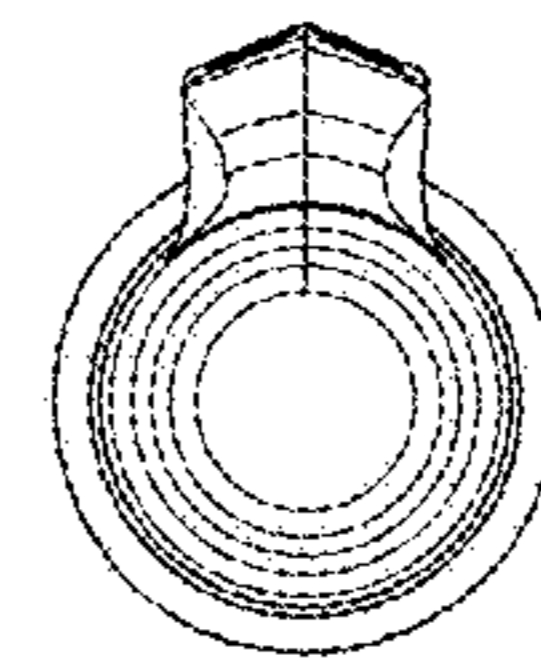


FIG. 3

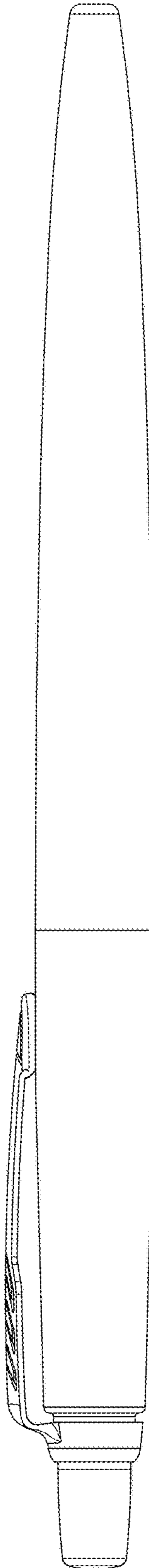


FIG. 4