



US00D785704S

(12) **United States Design Patent** (10) **Patent No.:** **US D785,704 S**
Miller et al. (45) **Date of Patent:** **** May 2, 2017**

(54) **HANDWRITING CARD SET**

DESCRIPTION

(71) Applicant: **Handwriting Tree, LLC**, North Potomac, MD (US)
(72) Inventors: **Larry R. Miller**, North Potomac, MD (US); **Melissa L. Miller**, North Potomac, MD (US)
(73) Assignee: **Handwriting Tree, LLC**, North Potomac, MD (US)
(**) Term: **15 Years**
(21) Appl. No.: **29/552,243**
(22) Filed: **Jan. 21, 2016**
(51) **LOC (10) Cl.** **19-07**
(52) **U.S. Cl.**
USPC **D19/62**
(58) **Field of Classification Search**
USPC D19/59-64, 1, 7, 27; D18/26, 27;
434/159-166, 168, 170-172, 327, 155;
(Continued)

(56) **References Cited**

U.S. PATENT DOCUMENTS

2,693,963 A * 11/1954 Moscato A63F 9/10
273/157 R
3,731,402 A * 5/1973 Paul G09B 11/04
434/164

(Continued)

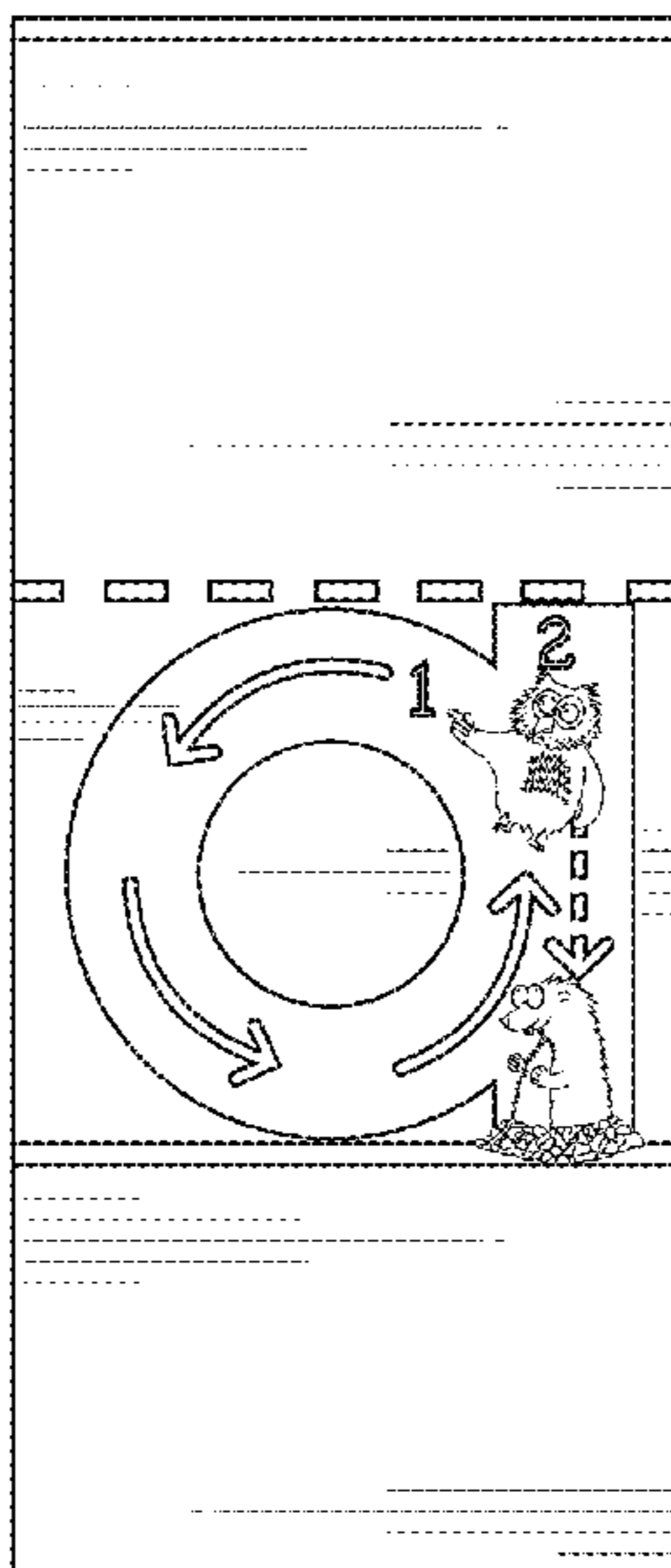
Primary Examiner — Ian Simmons
Assistant Examiner — Mark Cavanna
(74) *Attorney, Agent, or Firm* — Jill A. Jacobson

(57) **CLAIM**

We claim the ornamental design for a handwriting card set, as shown and described.

FIG. 1 is a top plan view of the first card of a handwriting card set showing the letter “A” card of my new design; FIG. 2 is the second card thereof showing the letter “B”; FIG. 3 is the third card thereof showing the letter “C”; FIG. 4 is the fourth card thereof showing the letter “D”; FIG. 5 is the fifth card thereof showing the letter “E”; FIG. 6 is the sixth card thereof showing the letter “F”; FIG. 7 is the seventh card thereof showing the letter “G”; FIG. 8 is the eighth card thereof showing the letter “H”; FIG. 9 is the ninth card thereof showing the letter “I”; FIG. 10 is the tenth card thereof showing the letter “J”; FIG. 11 is the eleventh card thereof showing the letter “K”; FIG. 12 is the twelfth card thereof showing the letter “L”; FIG. 13 is the thirteenth card thereof showing the letter “M”; FIG. 14 is the fourteenth card thereof showing the letter “N”; FIG. 15 is the fifteenth card thereof showing the letter “O”; FIG. 16 is the sixteenth card thereof showing the letter “P”; FIG. 17 is the seventeenth card thereof showing the letter “Q”; FIG. 18 is the eighteenth card thereof showing the letter “R”; FIG. 19 is the nineteenth card thereof showing the letter “S”; FIG. 20 is the twentieth card thereof showing the letter “T”; FIG. 21 is the twenty-first card thereof showing the letter “U”; FIG. 22 is the twenty-second card thereof showing the letter “V”; FIG. 23 is the twenty-third card thereof showing the letter “W”; FIG. 24 is the twenty-fourth card thereof showing the letter “X”; FIG. 25 is the twenty-fifth card thereof showing the letter “Y”; and, FIG. 26 is the twenty-sixth card thereof showing the letter “Z”.

1 Claim, 13 Drawing Sheets



US D785,704 S

Page 2

(58) **Field of Classification Search**

USPC D21/480, 479, 606; 273/294, 302, 156,
273/157 R; D10/64; 283/45
CPC A63F 9/10; G09B 11/04; G09B 21/003;
G09B 17/00; G09B 1/06; G09B 1/12;
G09B 1/08; G09B 1/02; G09B 11/00;
G09B 1/36; G09B 19/00; G09B 19/02;
G09B 19/04; G09B 1/30

See application file for complete search history.

(56) **References Cited**

U.S. PATENT DOCUMENTS

3,774,319 A * 11/1973 Sprowls G09B 21/003
434/164
3,778,910 A * 12/1973 Smalligan G09B 11/04
434/164
3,811,206 A * 5/1974 Gaccetta G09B 17/00
434/159
3,822,487 A * 7/1974 Koch G09B 1/40
434/172
4,345,902 A * 8/1982 Hengel G09B 1/12
434/170
4,353,700 A * 10/1982 Volakakis G09B 1/08
434/168
4,427,390 A * 1/1984 Manger G09B 1/06
434/159
4,669,986 A * 6/1987 Yokoyama G09B 11/04
434/164
4,685,885 A * 8/1987 Maddocks G09B 11/04
D18/26
D327,499 S * 6/1992 Lemon D19/59
5,165,894 A * 11/1992 Reasoner G09B 1/06
434/345

5,409,381 A * 4/1995 Sundberg G09B 11/00
434/165
D360,238 S * 7/1995 Figone D21/479
D368,931 S * 4/1996 Ling D19/60
5,553,856 A * 9/1996 Barnard G09B 1/36
273/156
D382,923 S * 8/1997 Rehbein D18/27
D388,818 S * 1/1998 Bajic D18/26
5,716,212 A * 2/1998 Lee G09B 1/06
434/172
D398,864 S * 9/1998 Dietterich D10/64
6,030,225 A * 2/2000 Chan G09B 19/02
434/170
D423,050 S * 4/2000 Rink D19/59
D423,052 S * 4/2000 Chan D19/60
6,074,212 A * 6/2000 Cogliano G09B 19/04
434/327
D428,074 S * 7/2000 Bitton D21/480
6,142,783 A * 11/2000 Rocha G09B 11/04
434/164
D487,106 S * 2/2004 Zhdanova D18/27
D529,961 S * 10/2006 Gallagher D19/62
D583,416 S * 12/2008 Cisneros D19/59
7,717,713 B2 * 5/2010 Wescott G09B 11/04
434/162
7,819,433 B2 * 10/2010 Schulken G09B 11/04
283/45
D627,395 S * 11/2010 Weaver D19/59
D640,317 S * 6/2011 Palmore D19/27
7,993,139 B2 * 8/2011 Lehmann G09B 1/30
434/160
D676,082 S * 2/2013 Viola-Press D19/59
D699,298 S * 2/2014 Mahar D19/59
D699,787 S * 2/2014 Mahar D19/59
D701,266 S * 3/2014 Mahar D19/59
2008/0003549 A1 * 1/2008 Fine G09B 19/00
434/155

* cited by examiner

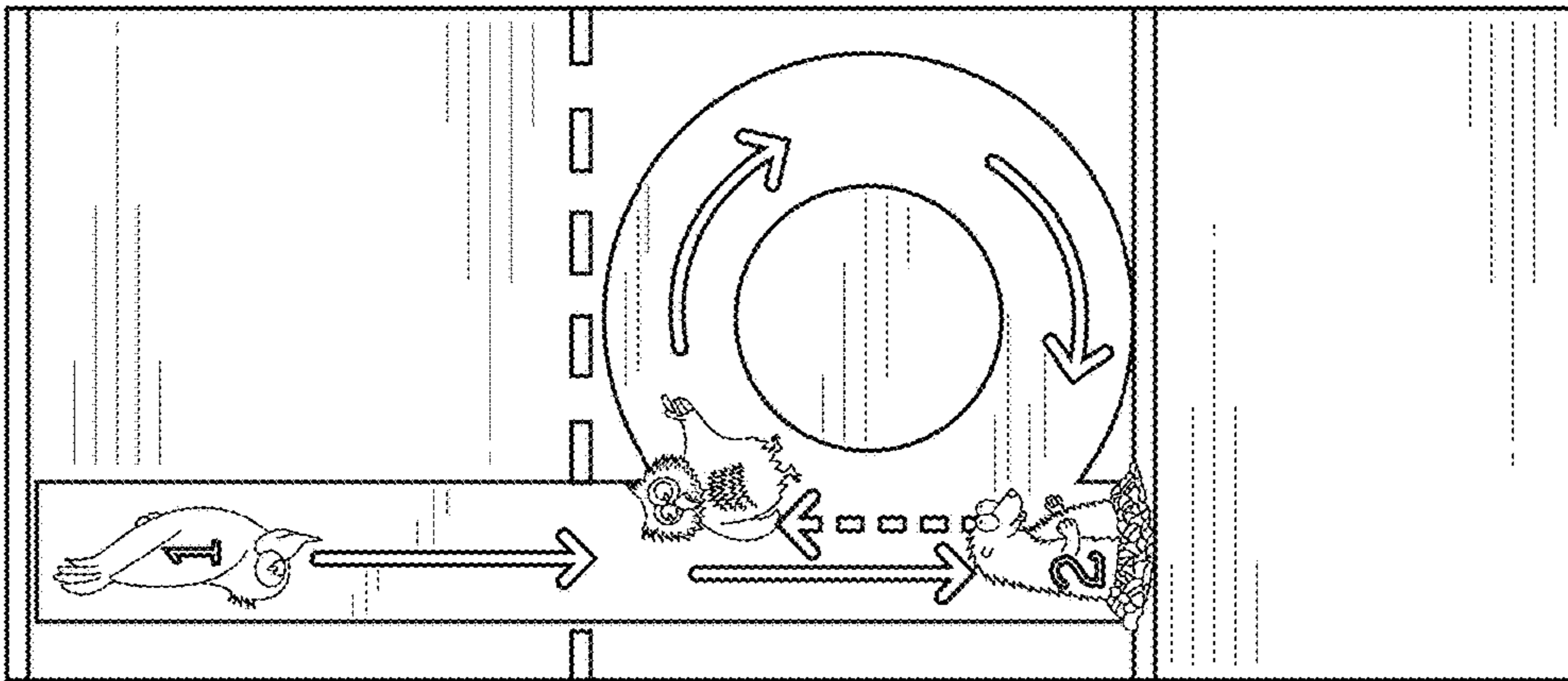


FIG. 2

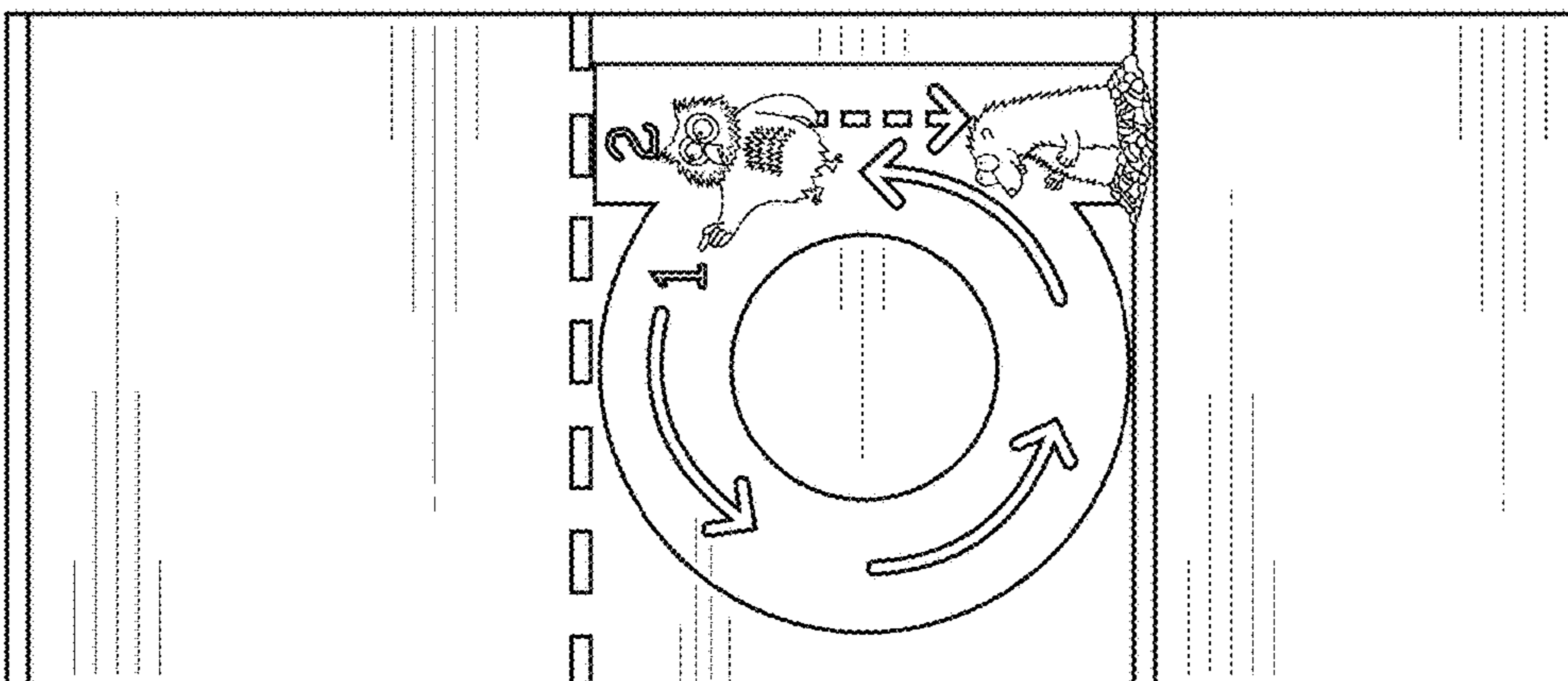


FIG. 1

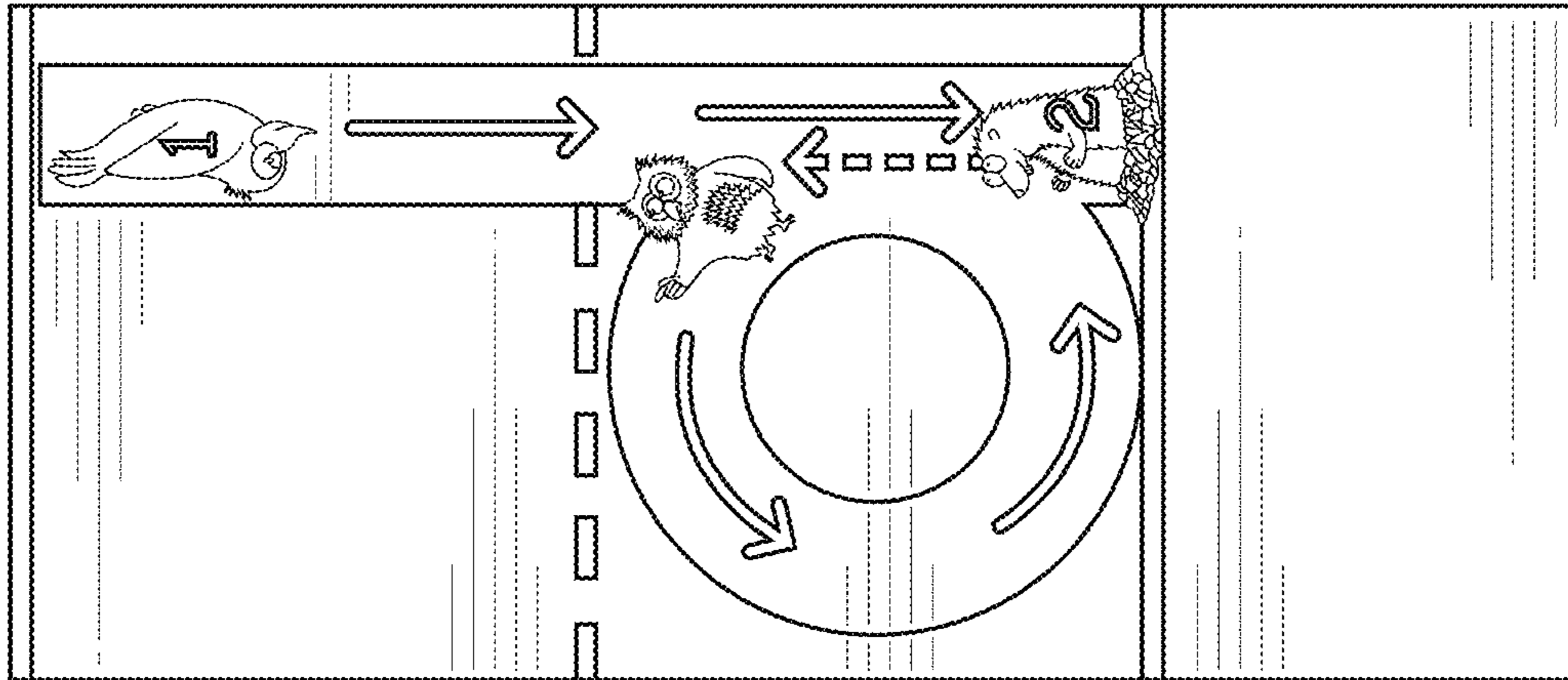


FIG. 4

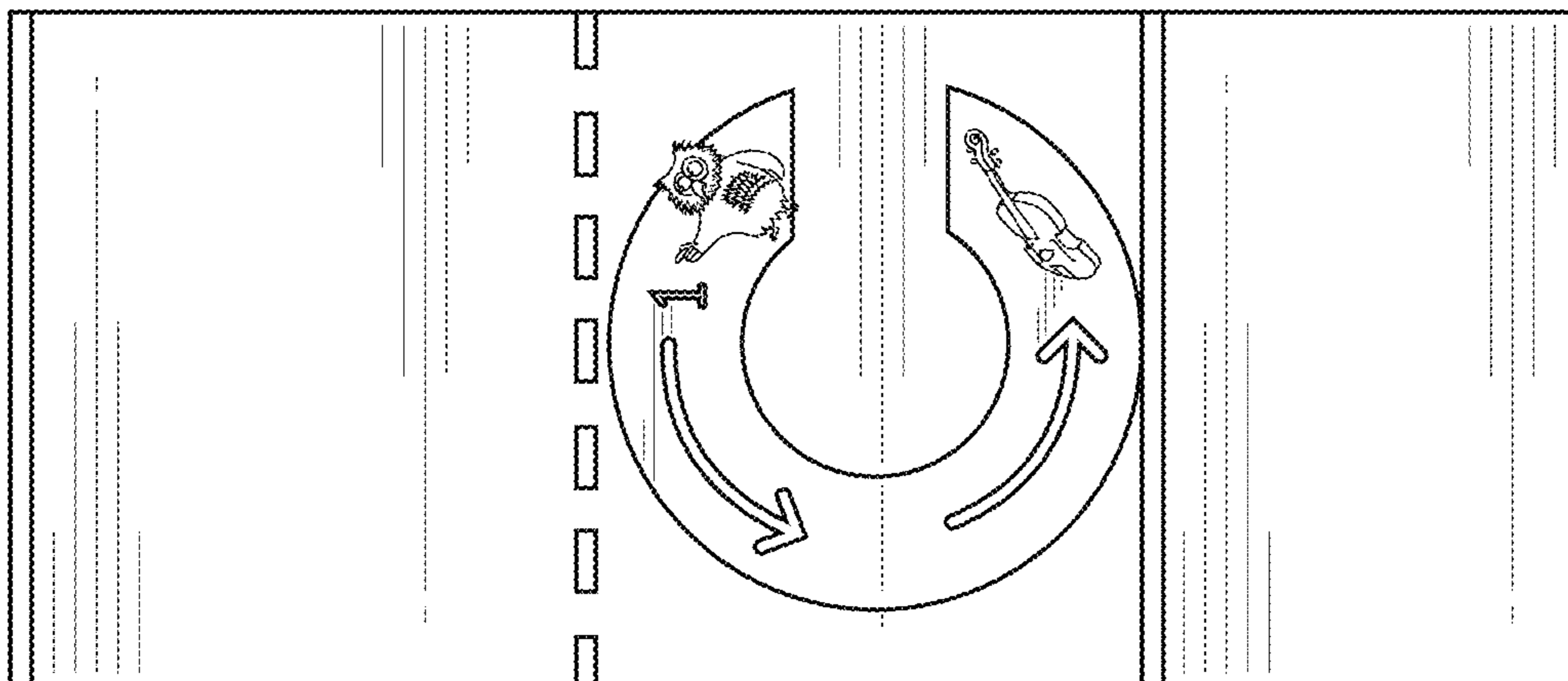


FIG. 3

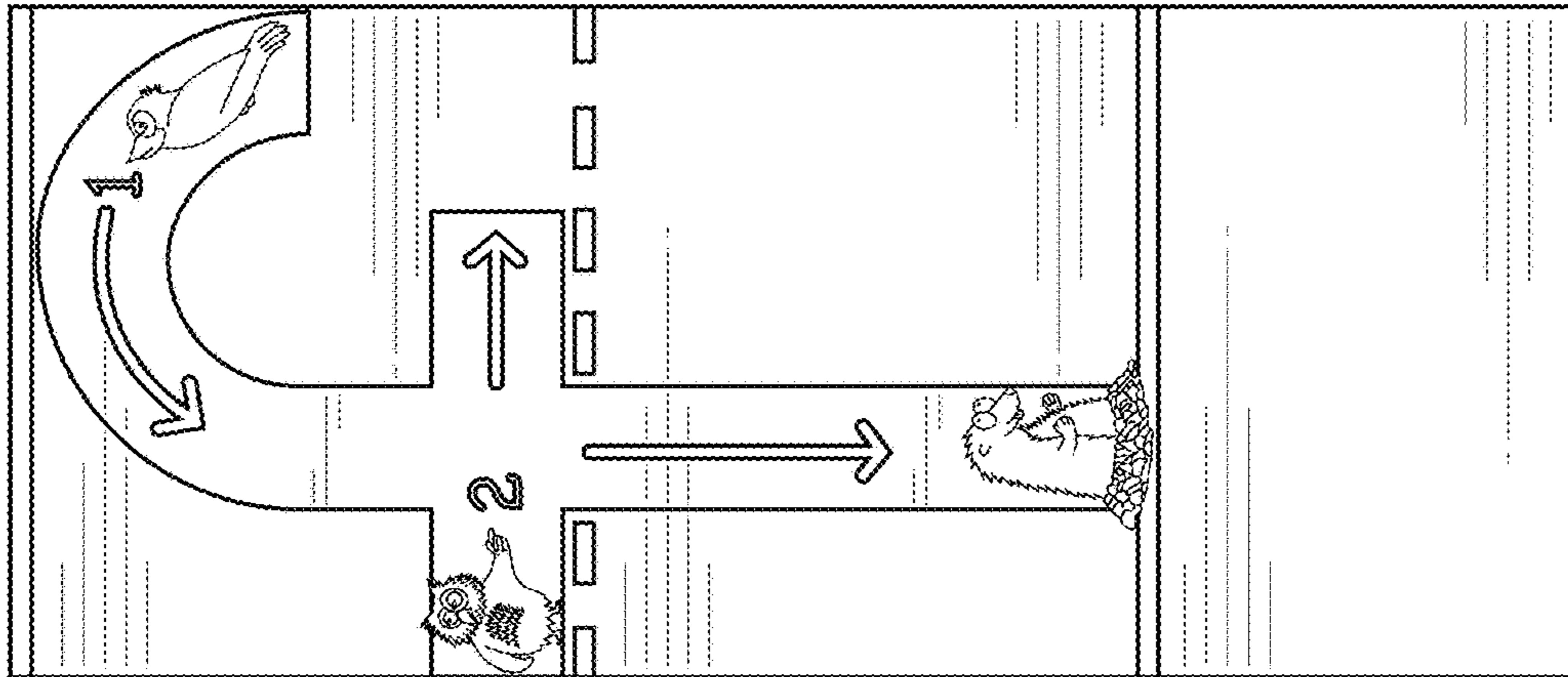


FIG. 6

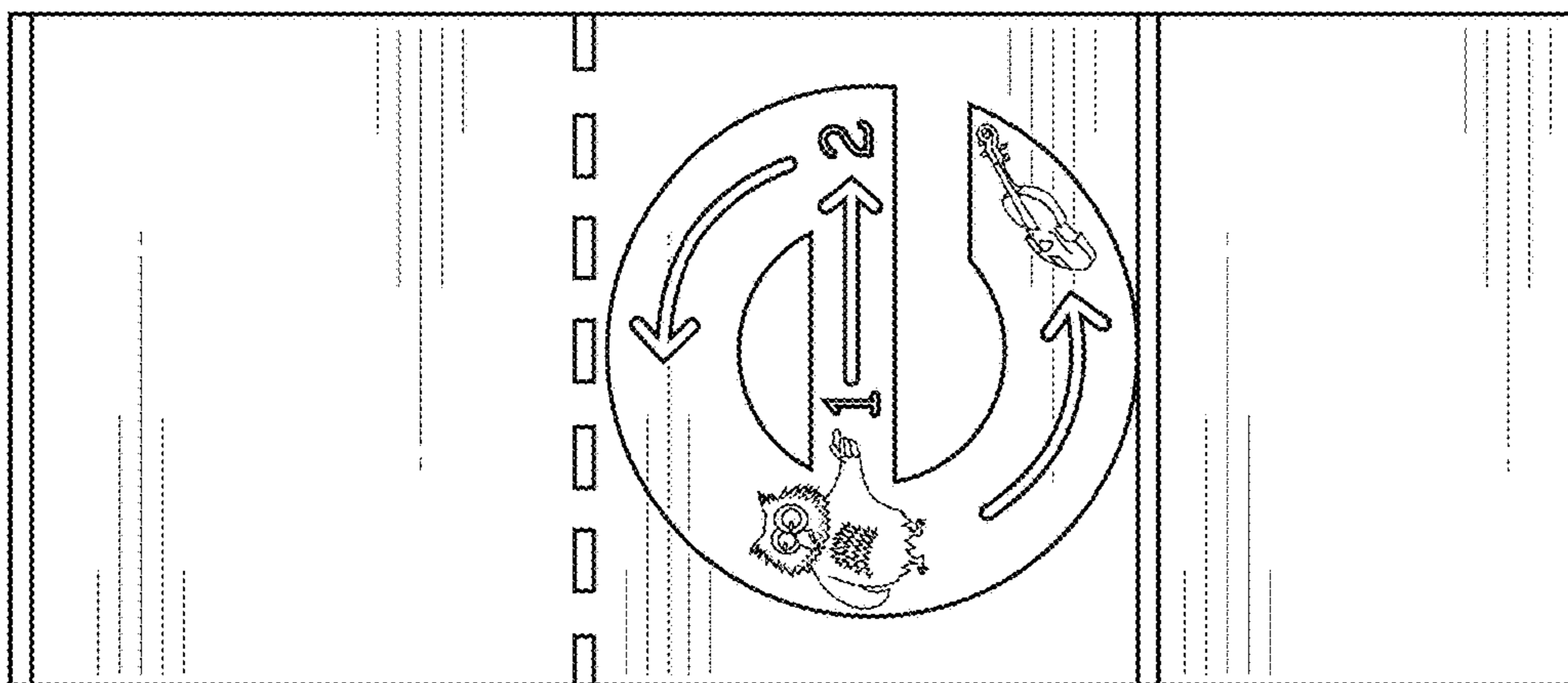


FIG. 5

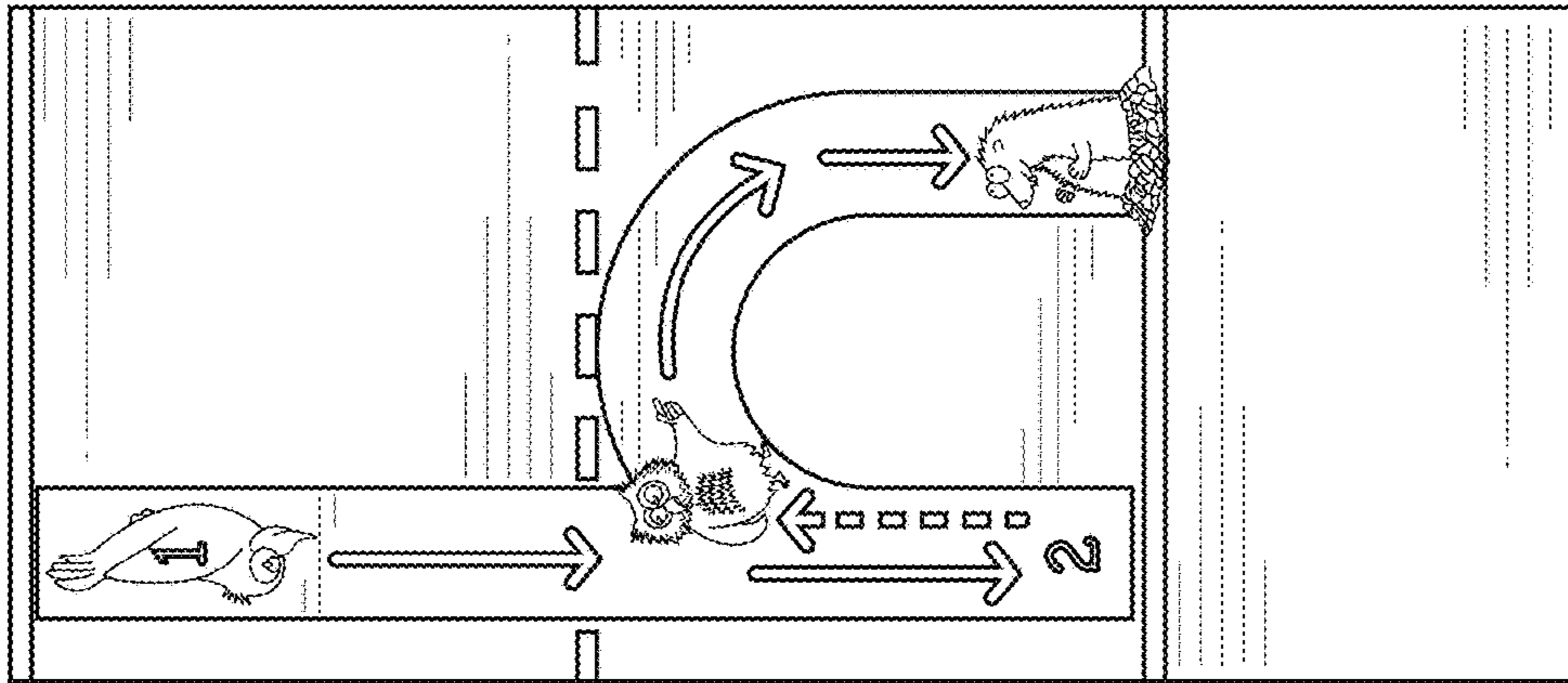


FIG. 8

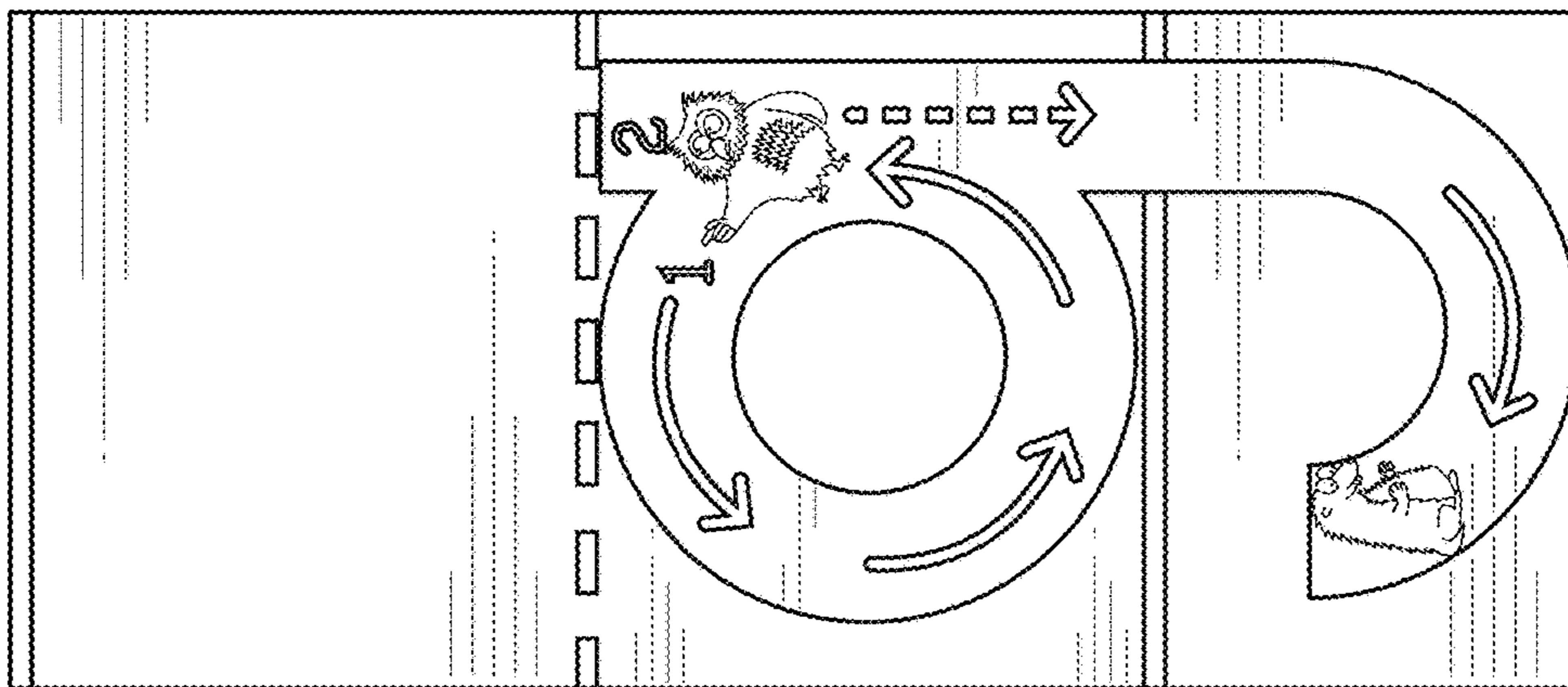


FIG. 7

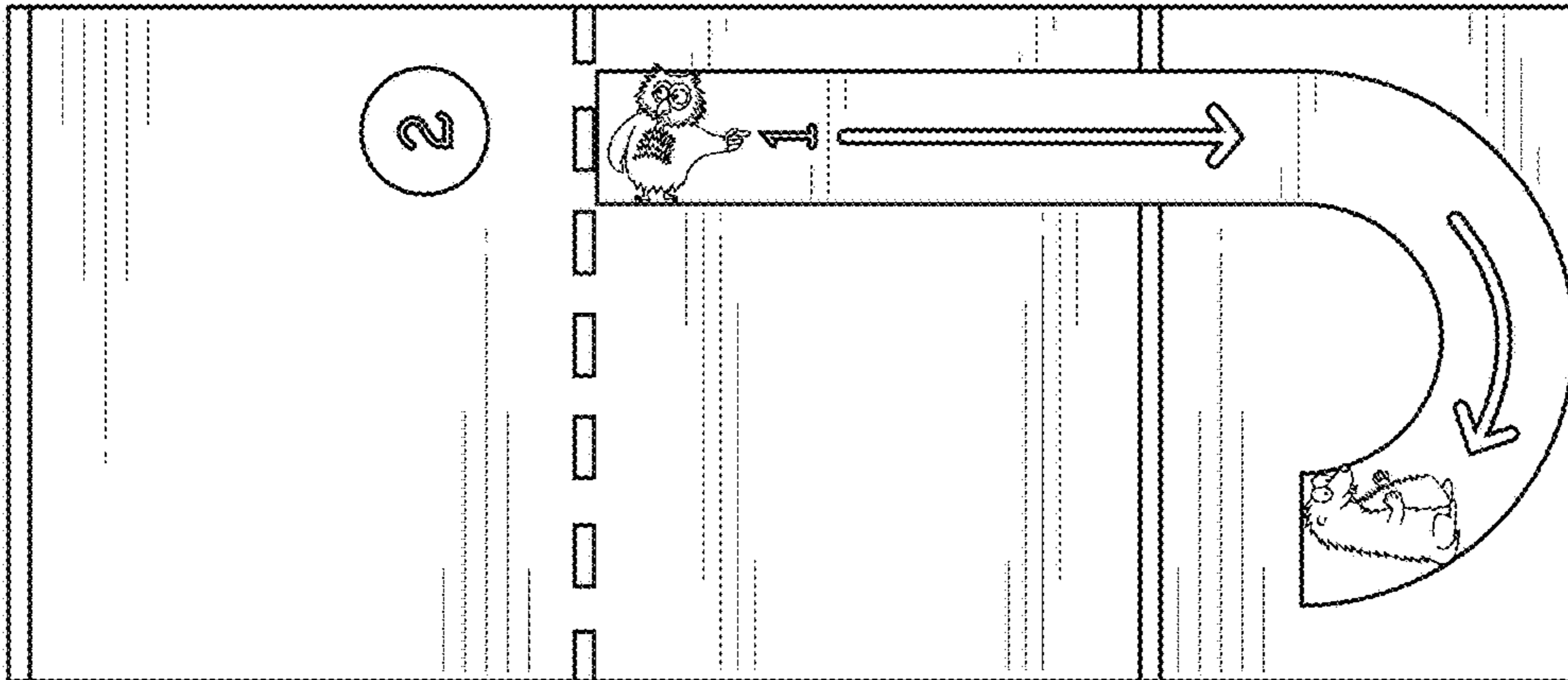


FIG. 10

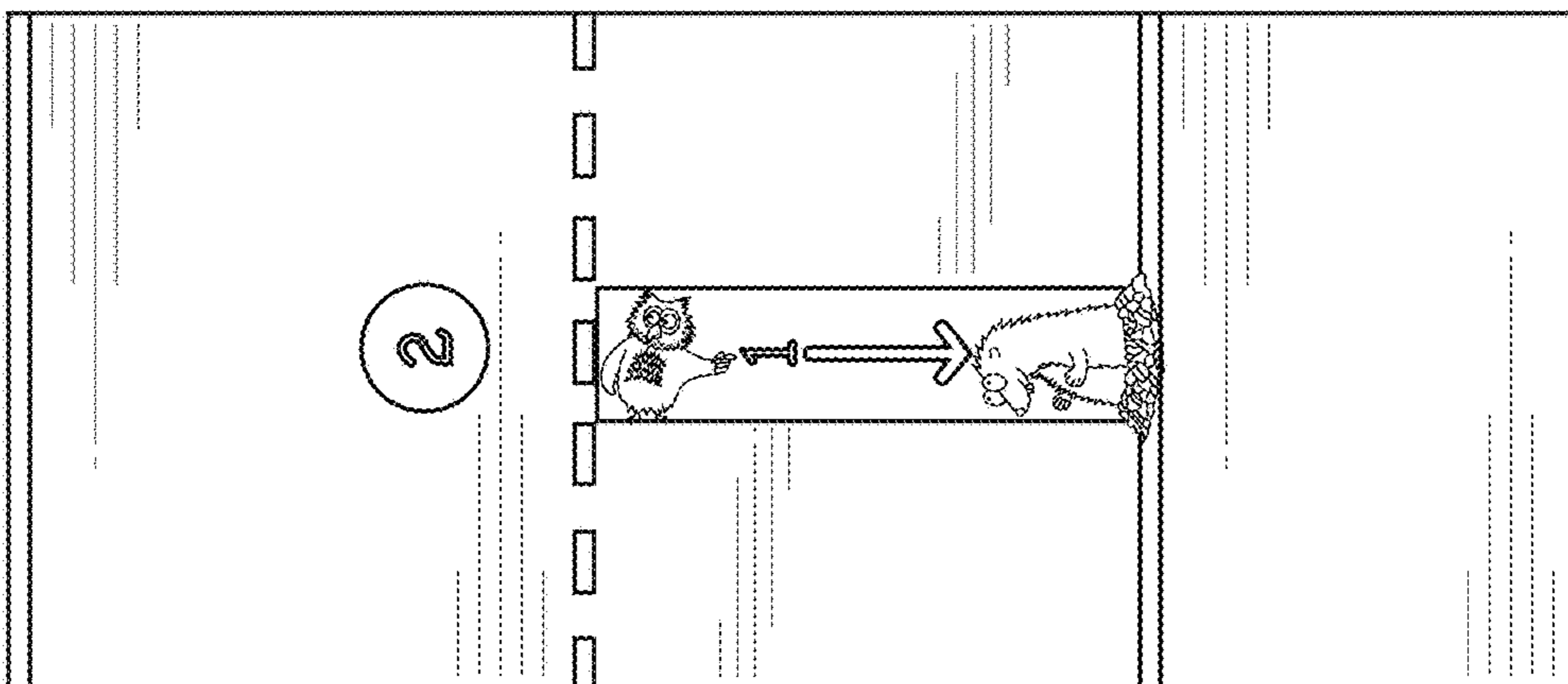


FIG. 9

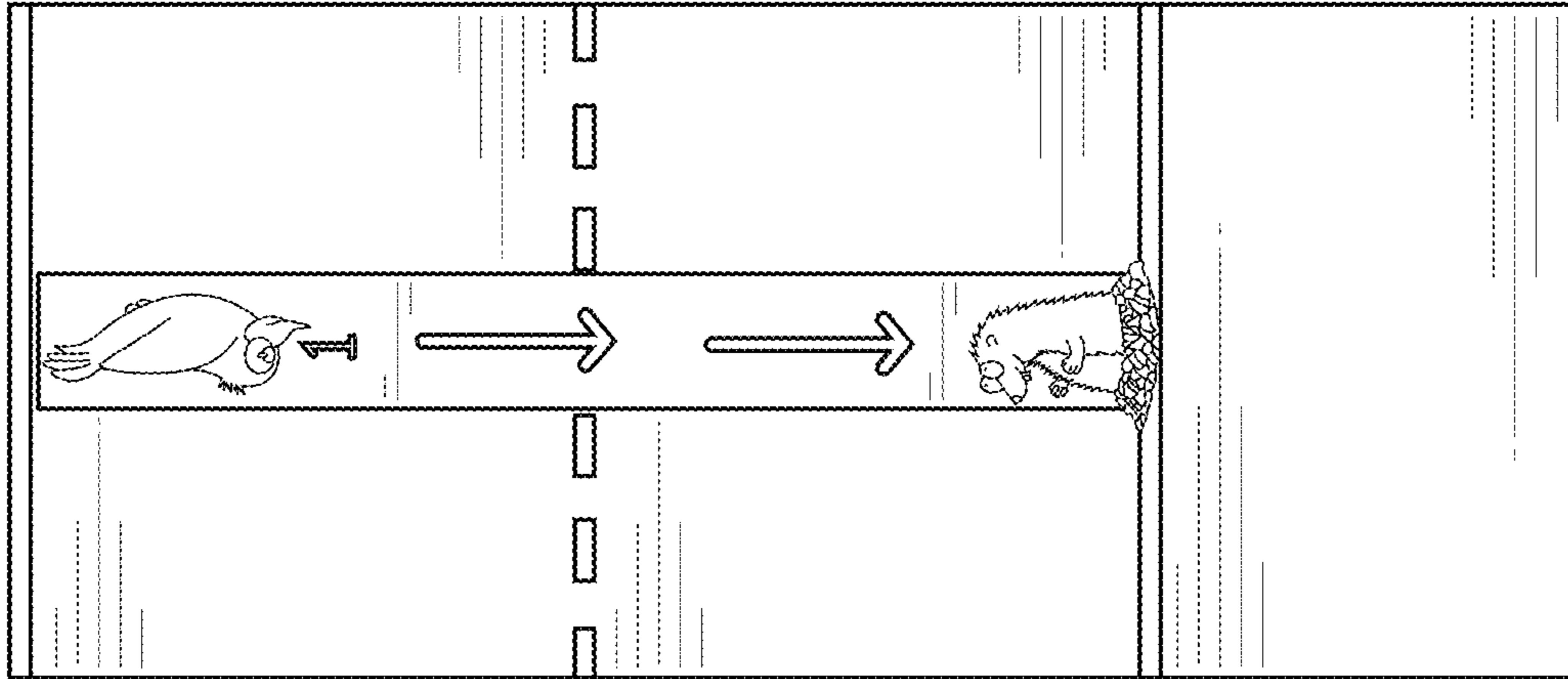


FIG. 12

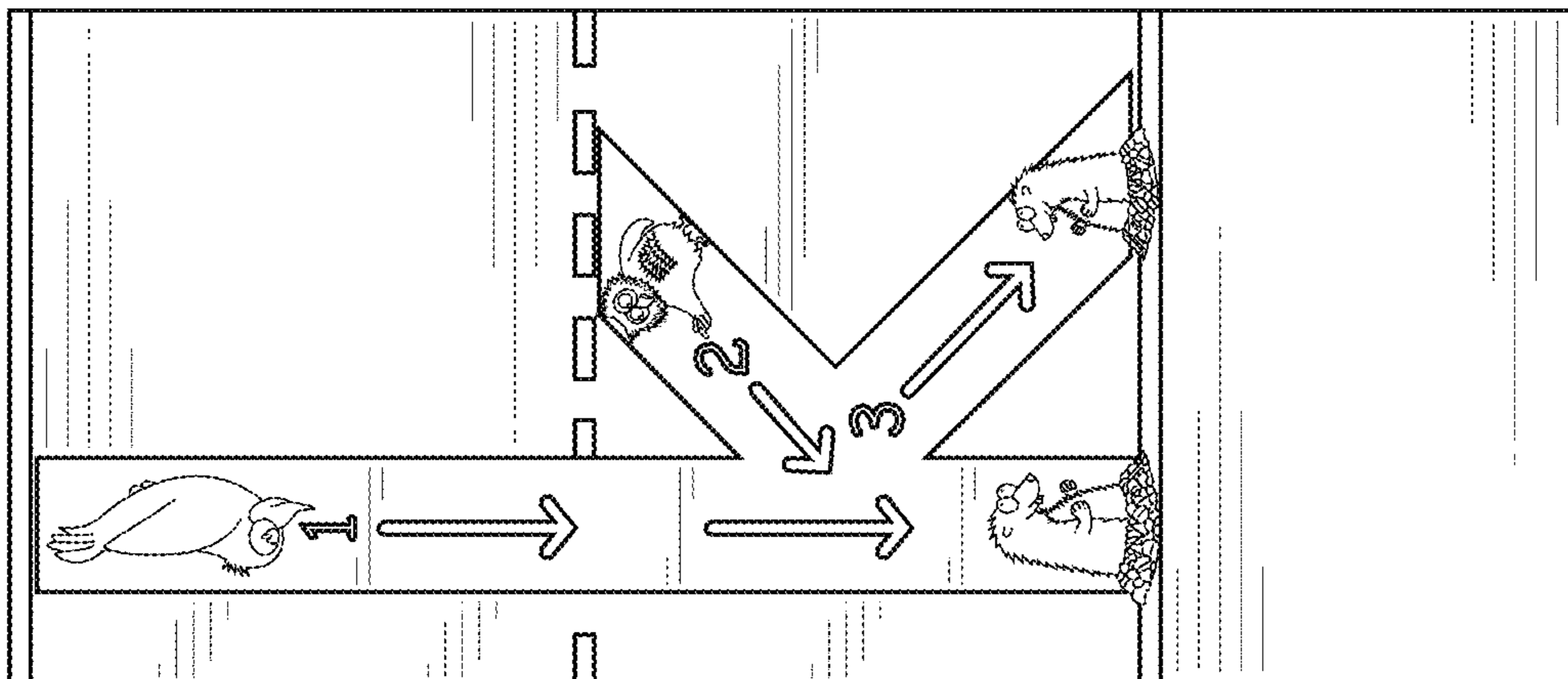


FIG. 11

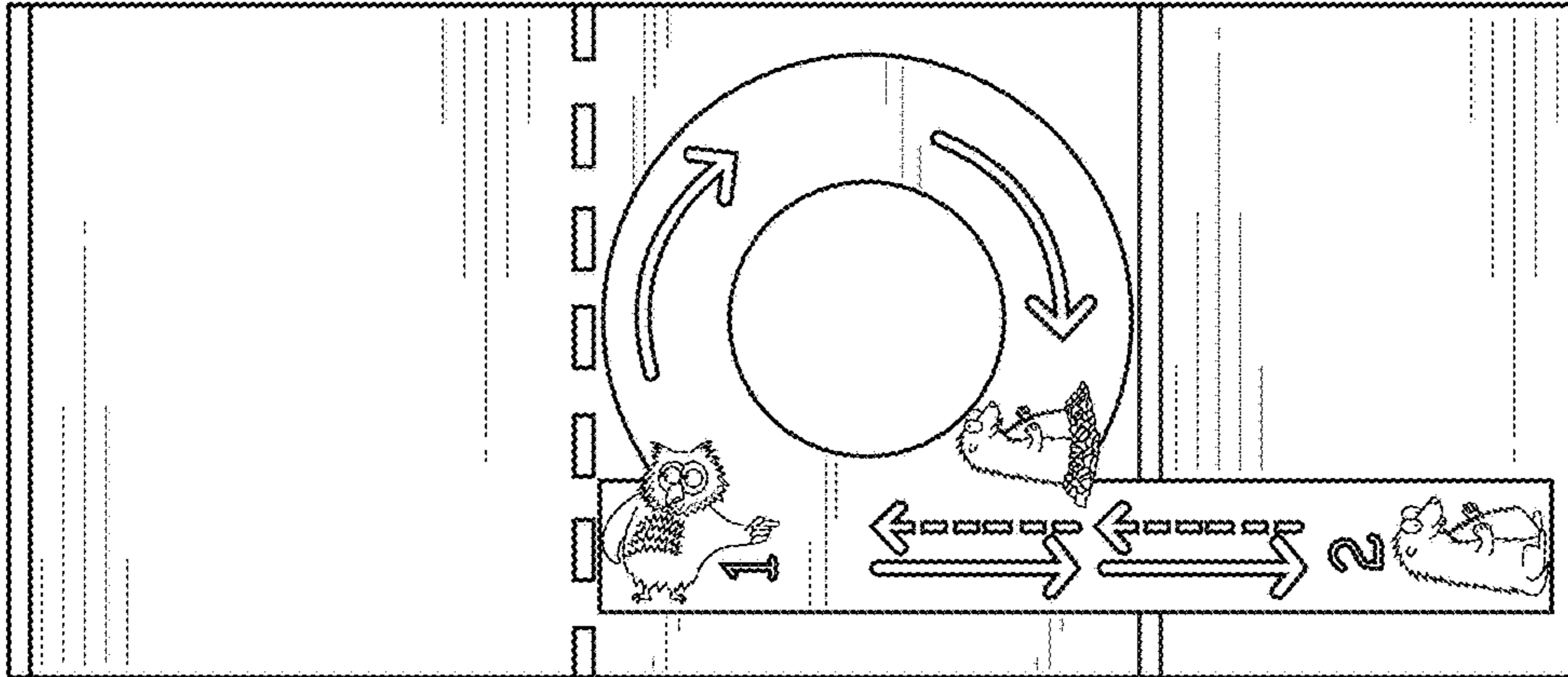


FIG. 16

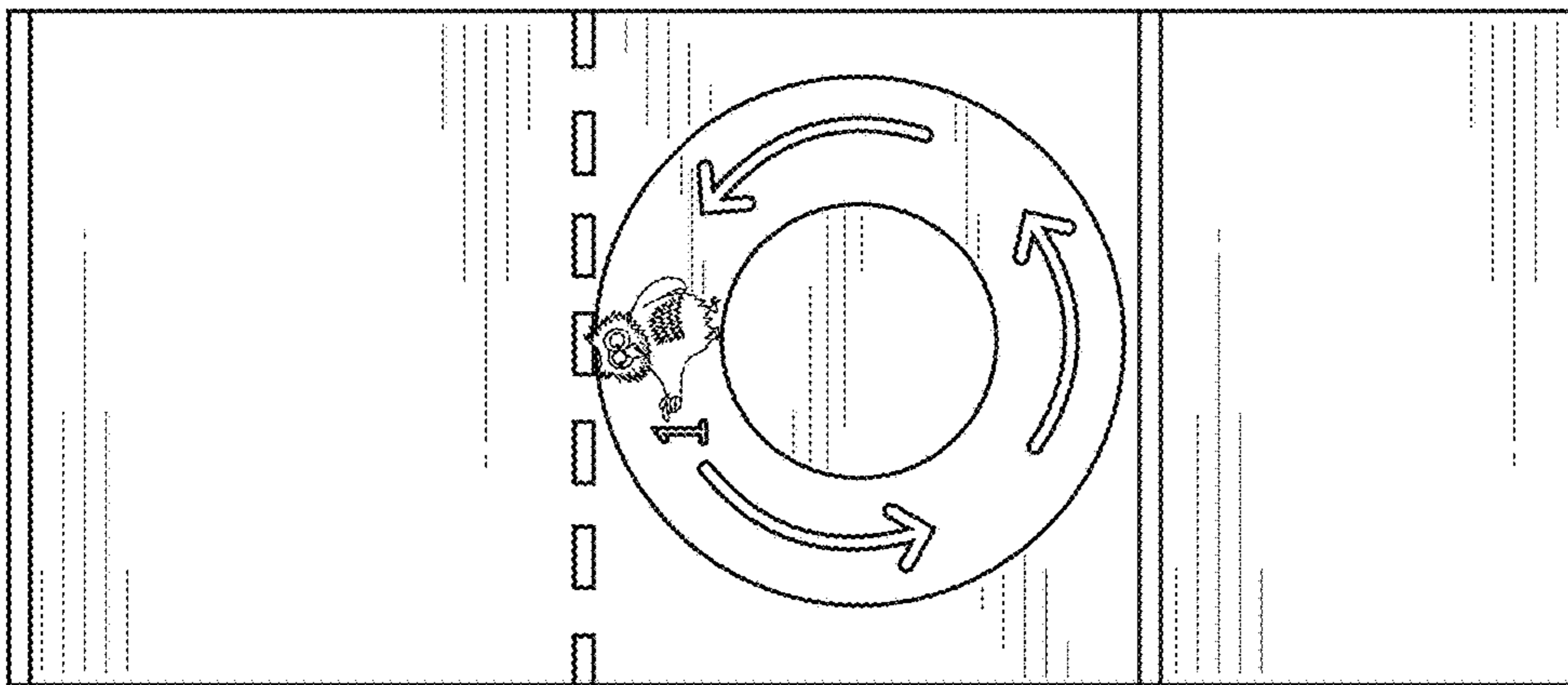


FIG. 15

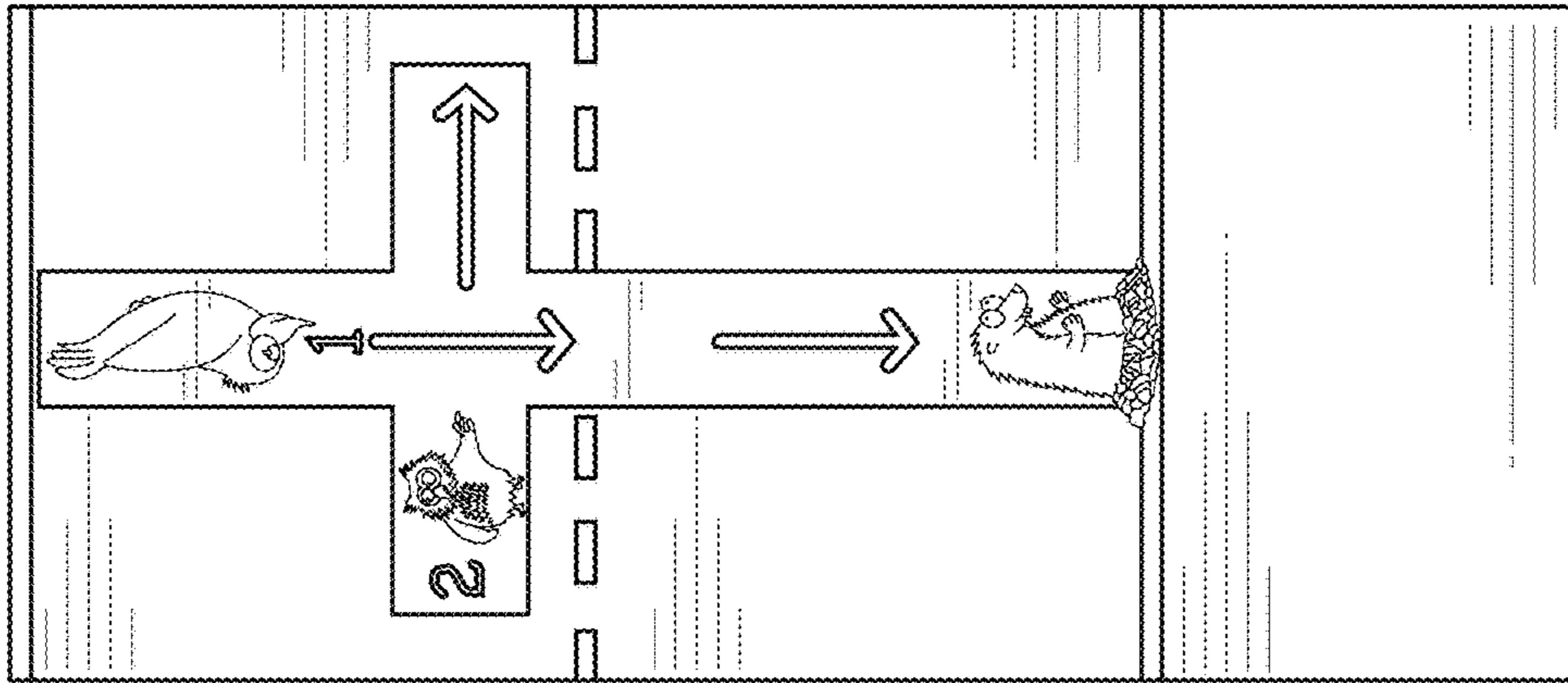


FIG. 20

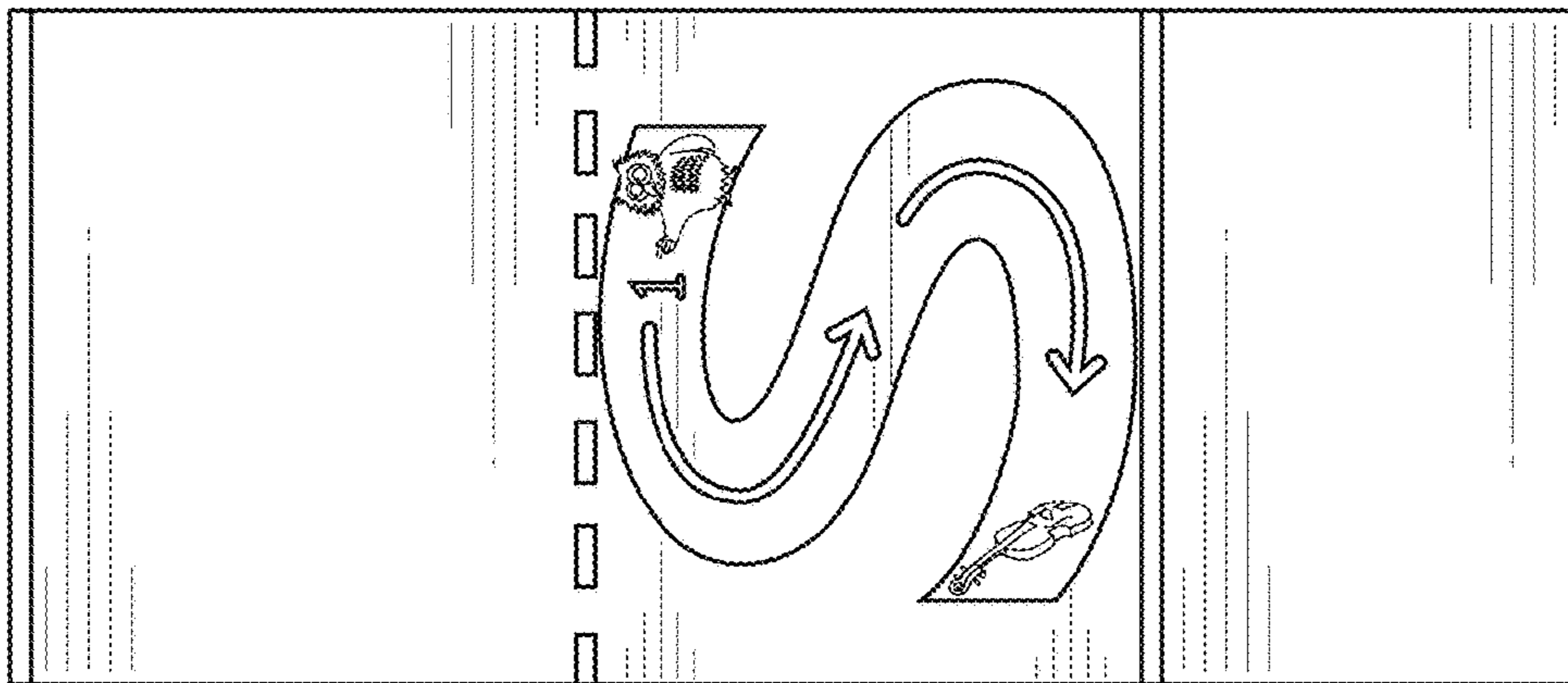


FIG. 19

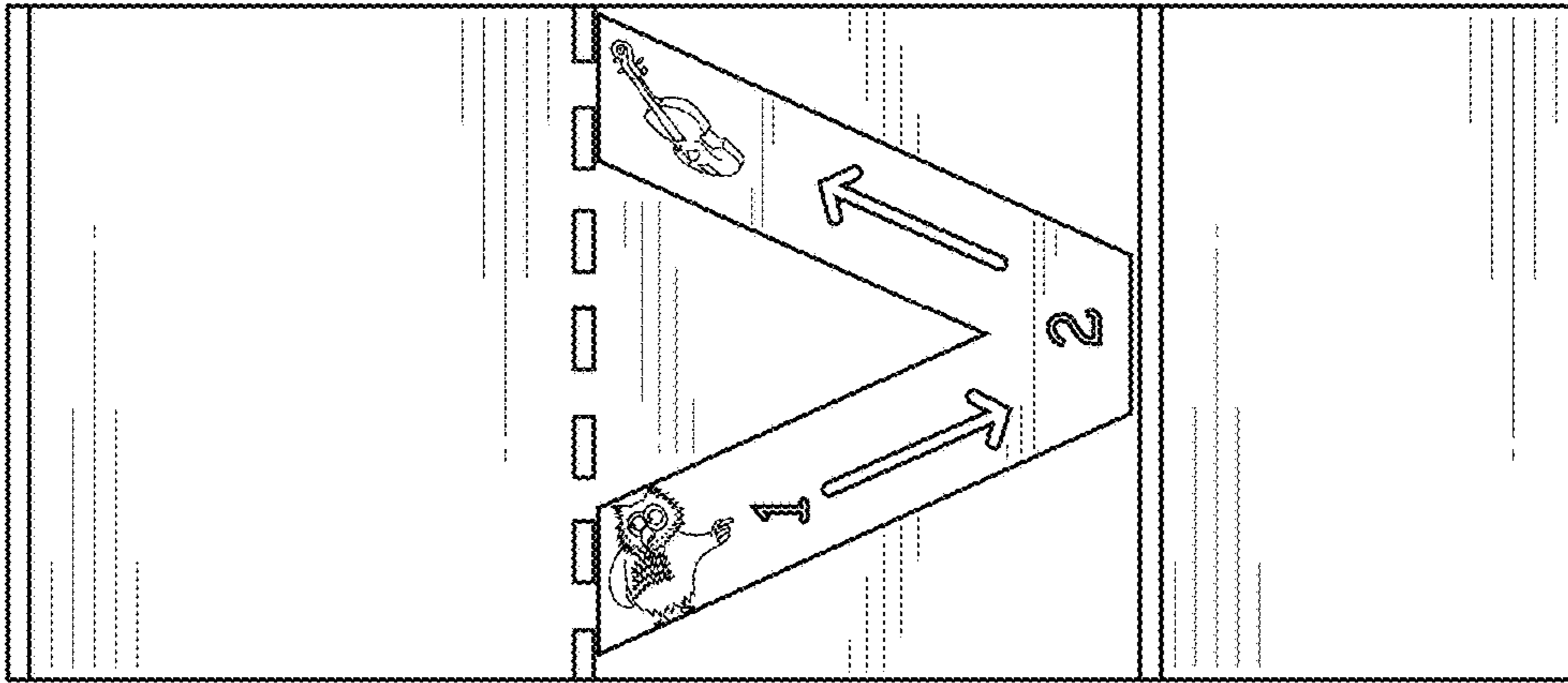


FIG. 22

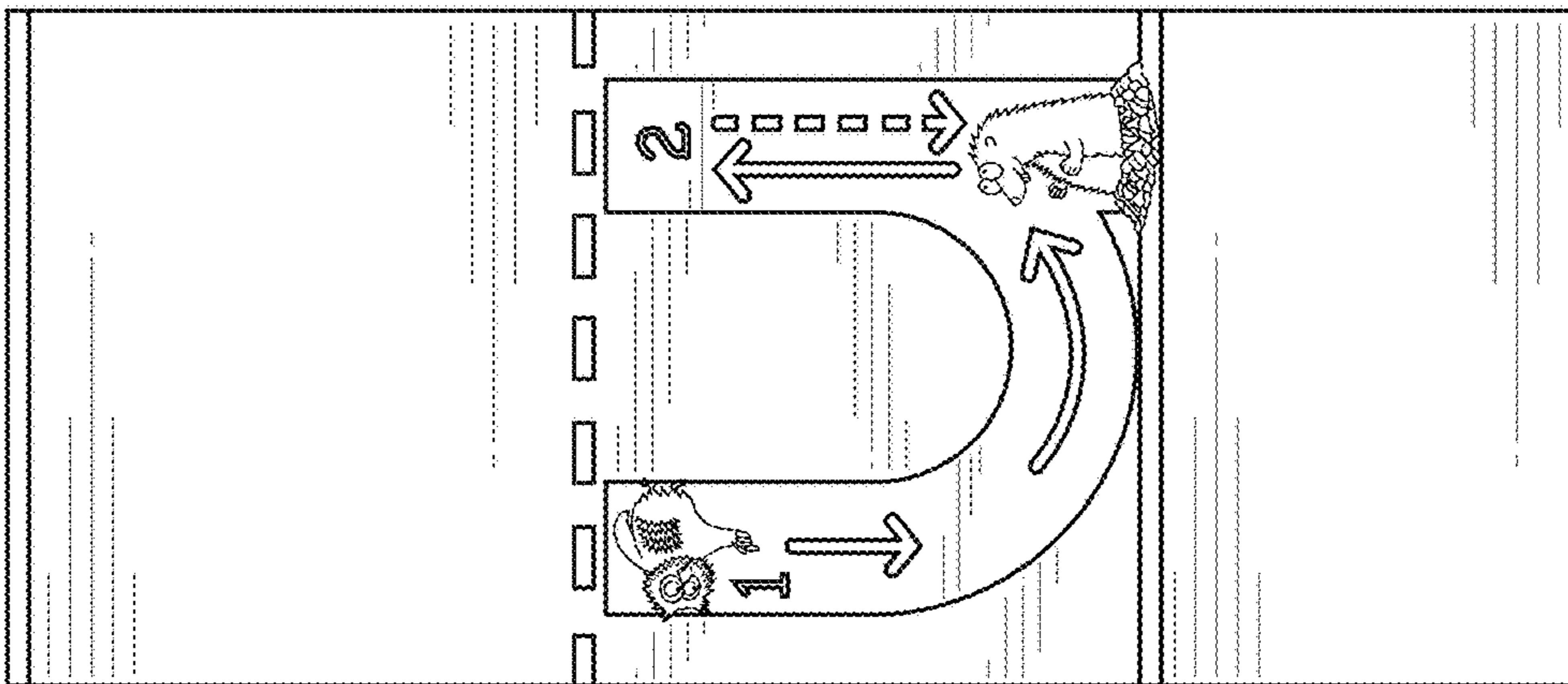


FIG. 21

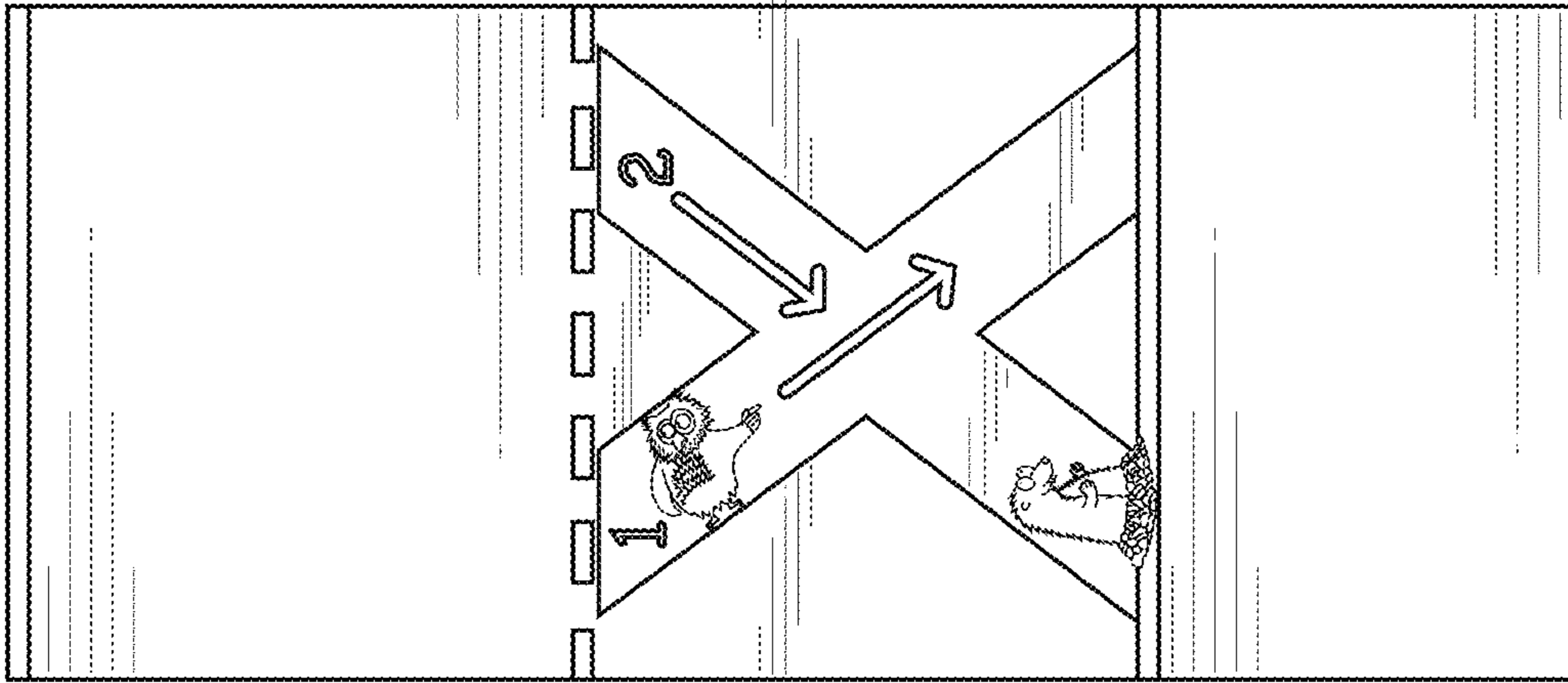


FIG. 24

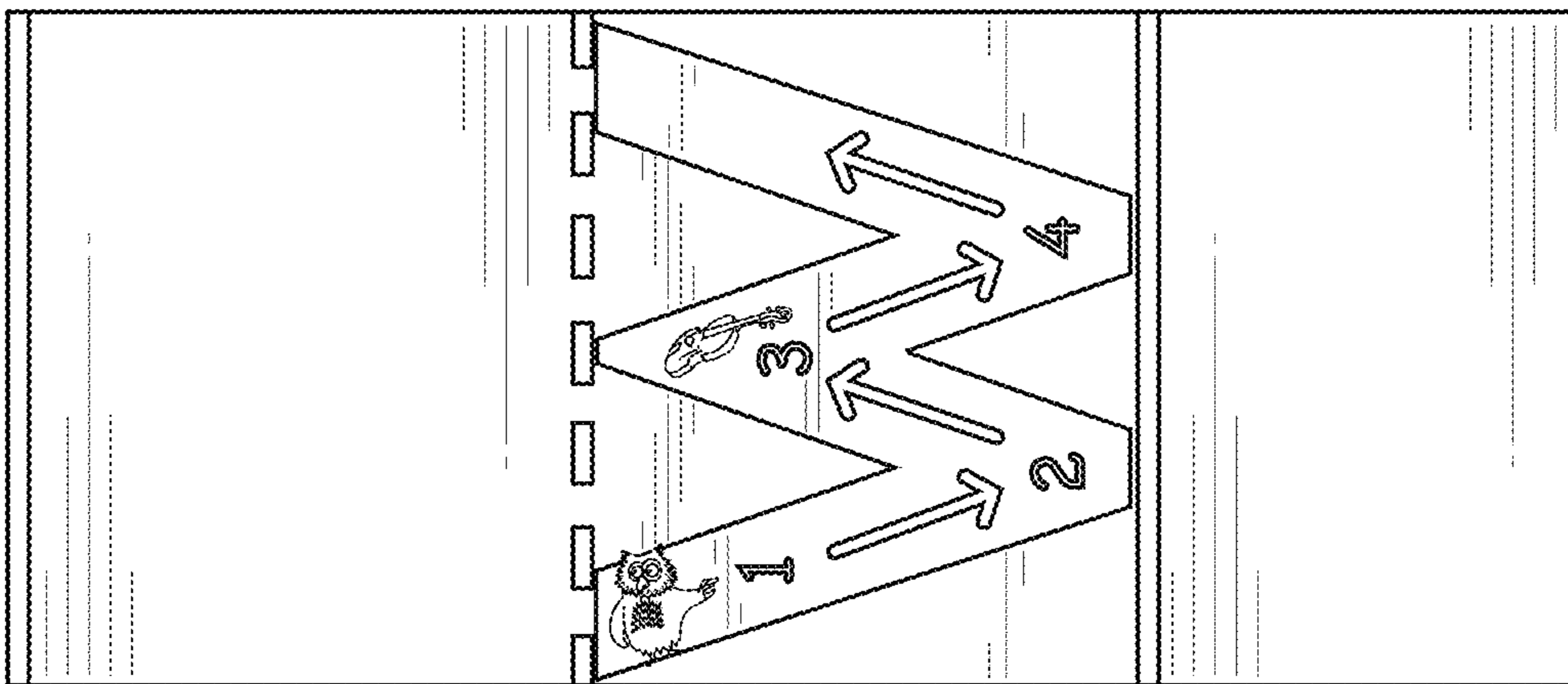


FIG. 23

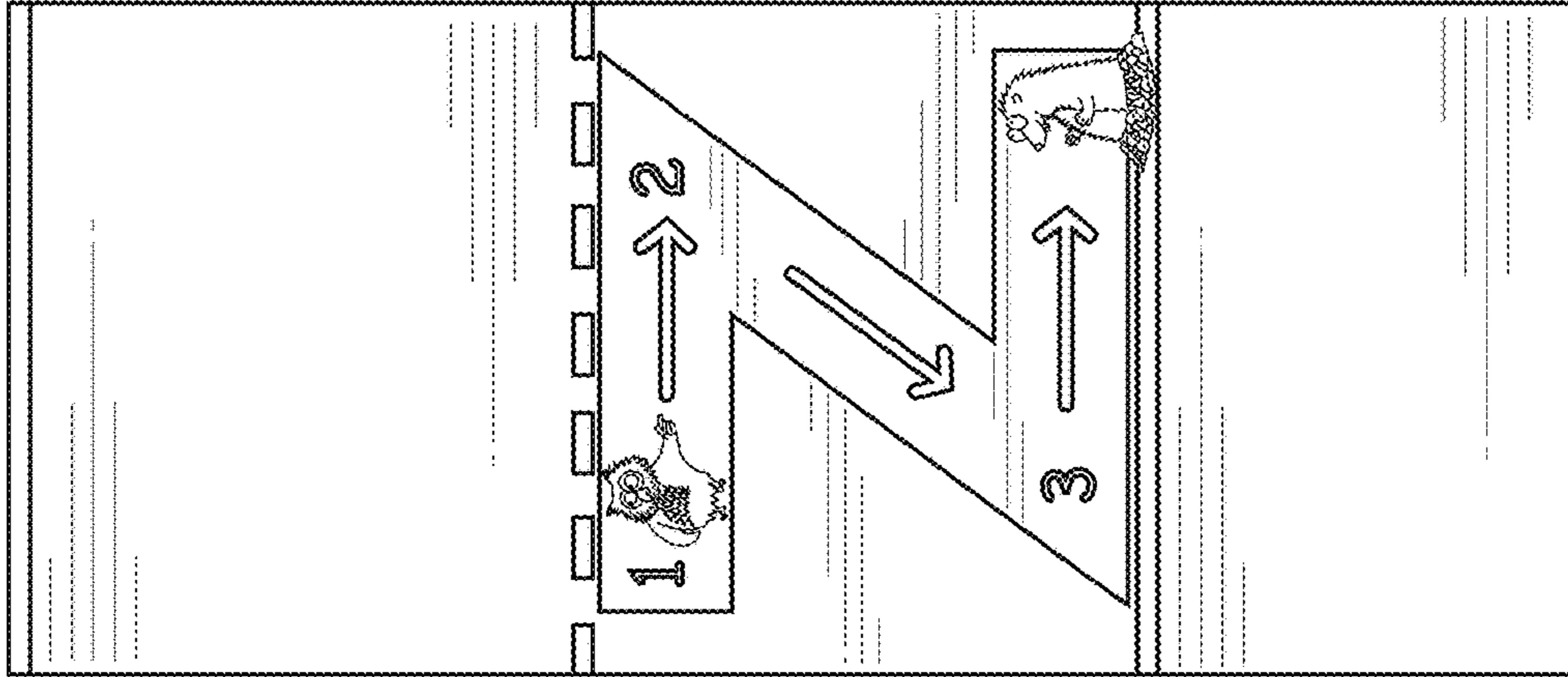


FIG. 26

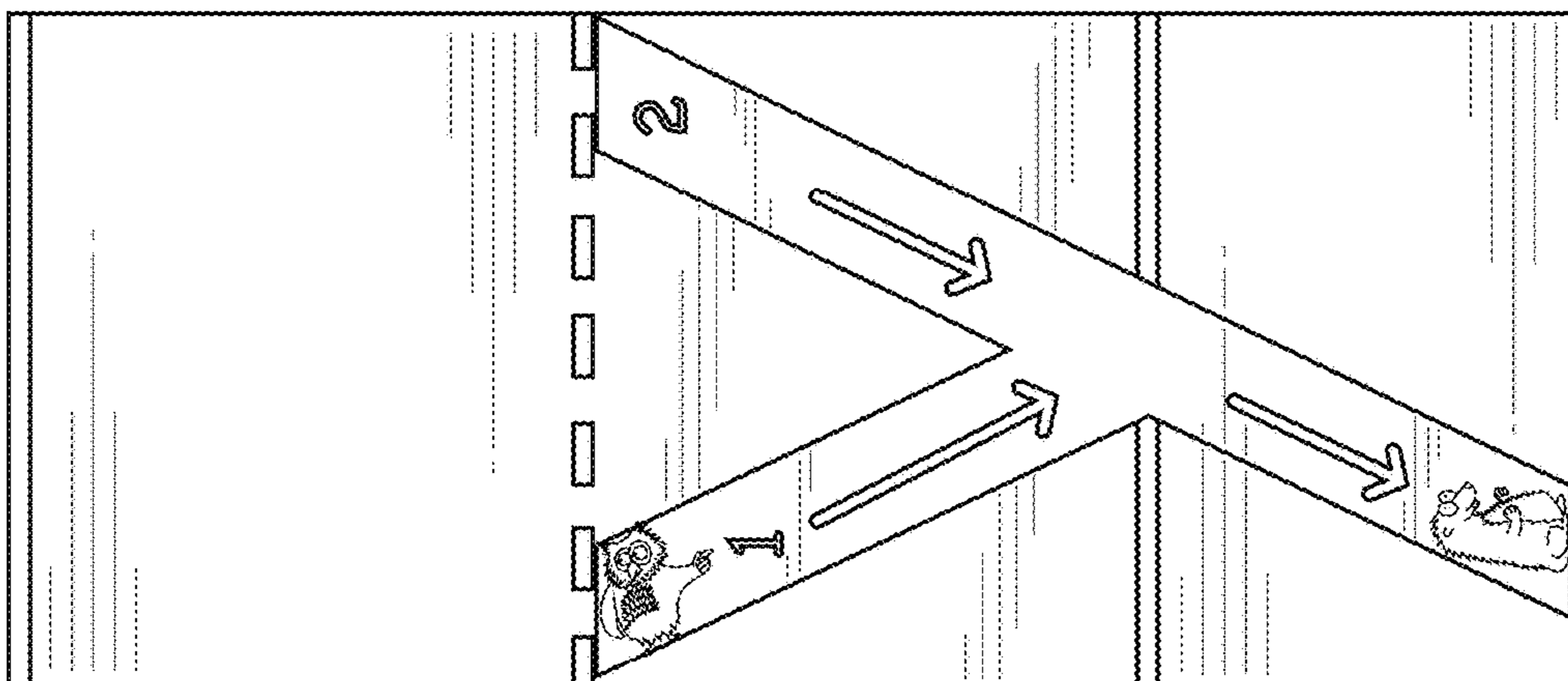


FIG. 25