



US00D785703S

(12) **United States Design Patent**
Skaggs

(10) **Patent No.:** **US D785,703 S**

(45) **Date of Patent:** **** May 2, 2017**

(54) **EDUCATIONAL TOY NUMBER STACKING BLOCK SET**

(71) Applicant: **Benjamin David Skaggs**, Plano, TX (US)

(72) Inventor: **Benjamin David Skaggs**, Plano, TX (US)

(**) Term: **14 Years**

(21) Appl. No.: **29/484,399**

(22) Filed: **Mar. 10, 2014**

(51) **LOC (10) Cl.** **19-07**

(52) **U.S. Cl.**
USPC **D19/59**

(58) **Field of Classification Search**
USPC D19/59-64; 434/168, 171-172, 188, 189, 434/191-196, 200, 205, 207, 209, 348, (Continued)

(56) **References Cited**

U.S. PATENT DOCUMENTS

- 2,415,342 A * 2/1947 Donner G09B 17/00 434/171
- D163,085 S * 5/1951 Bishop D19/59 (Continued)

Primary Examiner — Ian Simmons

Assistant Examiner — Mark Cavanna

(74) *Attorney, Agent, or Firm* — Jeffrey Roddy

(57) **CLAIM**

The ornamental design for an educational toy number stacking block set, as shown and described.

DESCRIPTION

FIG. 1 is a front elevational view the number 1, 3 and 5 block elements of the educational toy number stacking block

set showing my new design with the number 1 block element laid on its side and the back view of each being a mirror image of the front;

FIG. 2 is an end elevational view of the number block 1 element of the educational toy number stacking block set showing the front to back thickness of the blocks;

FIG. 3 is a front elevational view of the number 2, 4 and 6 block elements of the educational toy number stacking block set with the back view of each being a mirror image of the front;

FIG. 4 is a front elevational view of the number 7, 8 and 9 block elements of the educational toy number stacking block set with the back view of each being a mirror image of the front;

FIG. 5 is a front elevational view of the number 2, 3 and 5 block elements of the educational toy number stacking block set stacked with the back view of each being a mirror image of the front;

FIG. 6 is a front elevational view of the number 10 block element of the educational toy number stacking block set with the back view being a mirror image of the front;

FIG. 7 is a perspective view of the number 2, 3 and 5 block elements of the educational toy number stacking block set in a stacked arrangement in an environmental setting; and,

FIG. 8 is a front elevational view of the number 1-10 block elements of the educational toy number stacking block set.

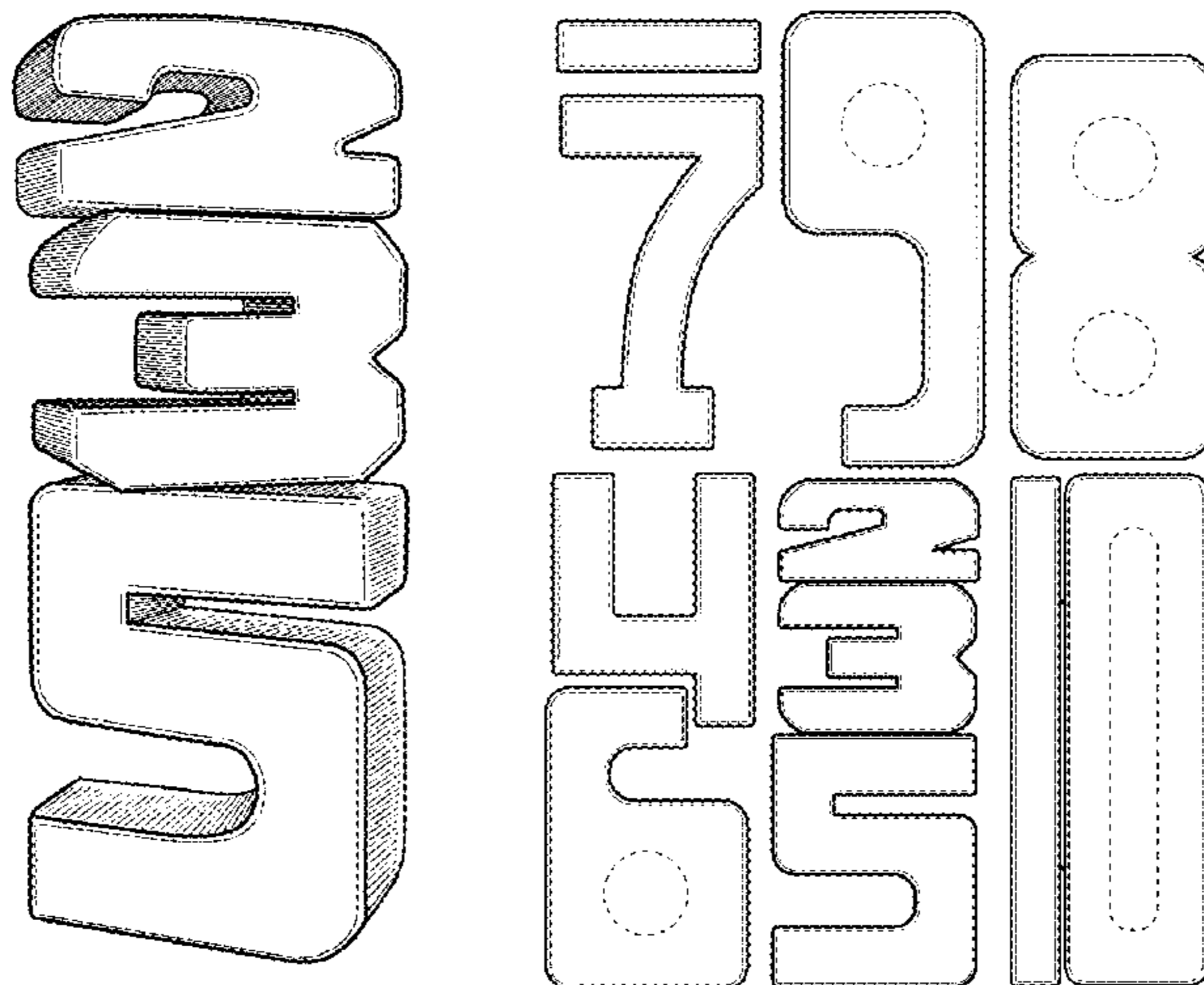
The number 2-10 blocks of the educational toy number stacking block set are proportional in height, increasing in height by the thickness of the number 1 block element. For example, the number 2 block is as tall as the thickness of two number 1 blocks, the number 3 block is as tall as the width of three number 1 blocks, and so on.

The claimed design includes the set of number block elements 1-10. The blocks seen in FIGS. 1-6, and FIG. 8 are same scale.

The thickness from front to back of the blocks is the same as that shown in FIG. 2.

The broken lines are included for the purpose of illustrating unclaimed portions of the educational toy number stacking block set and form no part of the claimed design.

1 Claim, 5 Drawing Sheets



US D785,703 S

Page 2

(58) **Field of Classification Search**

USPC 434/149, 159; D21/478-480; 273/271,
273/302, 153, 156, 157 R, 153 P, 160;
D18/24, 29; D7/393-394
CPC G09B 17/00; G09B 19/02; G09B 1/36;
G09B 1/10; G09B 1/06; G09B 1/04;
A63F 9/0098; A63F 3/0415; A63F 9/26
See application file for complete search history.

(56) **References Cited**

U.S. PATENT DOCUMENTS

2,635,355 A * 4/1953 Thompson G09B 19/02
434/195
3,229,388 A * 1/1966 Smith G09B 19/02
434/195
3,311,997 A * 4/1967 Denny G09B 19/02
434/194
3,357,116 A * 12/1967 Bazacos G09B 19/02
434/205
3,381,394 A * 5/1968 Munro G09B 19/02
434/193
3,827,162 A * 8/1974 Moeser G09B 1/10
273/160
3,918,178 A * 11/1975 Riley G09B 1/36
273/156

3,934,357 A * 1/1976 Couvillion G09B 19/02
434/193
D255,584 S * 6/1980 Brentini D18/29
4,240,213 A * 12/1980 Lutin A63F 9/0098
434/193
4,382,794 A * 5/1983 Preus G09B 23/02
434/207
5,074,794 A * 12/1991 Von Hagen G09B 1/06
434/159
D344,543 S * 2/1994 Lemon D19/59
D350,772 S * 9/1994 King D19/64
5,346,399 A * 9/1994 Sakow G09B 1/10
434/188
5,421,732 A * 6/1995 Taylor A63F 3/0415
434/200
D360,657 S * 7/1995 Barnard D21/480
6,739,875 B1 * 5/2004 Lin G09B 19/02
434/188
D595,536 S * 7/2009 Fabbri D7/394
D607,492 S * 1/2010 Frirdich D18/24
D612,672 S * 3/2010 Fabbri D7/393
8,591,234 B1 * 11/2013 Ratcliffe G09B 1/04
434/149
8,746,699 B1 * 6/2014 Pruzan A63F 9/26
273/156
2014/0272829 A1 * 9/2014 Skaggs G09B 19/02
434/193

* cited by examiner

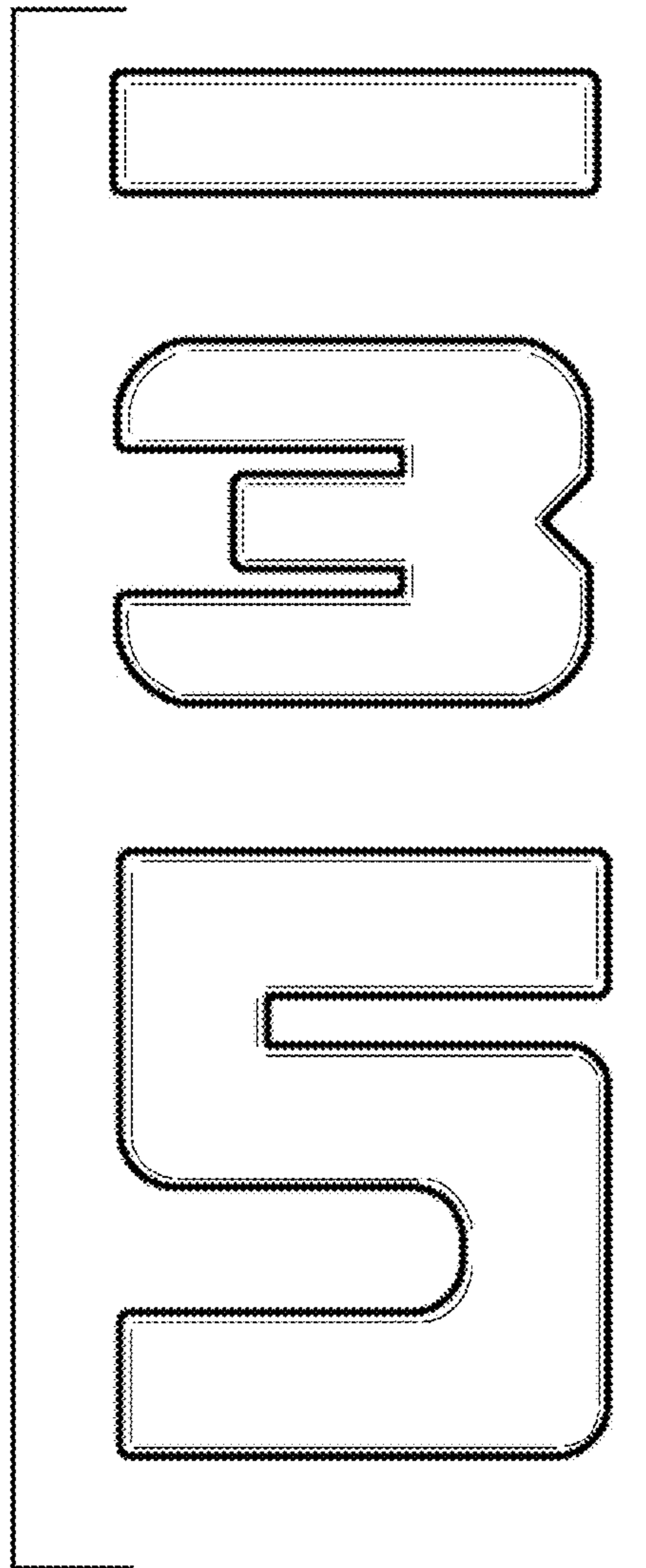


FIG. 1



FIG. 2

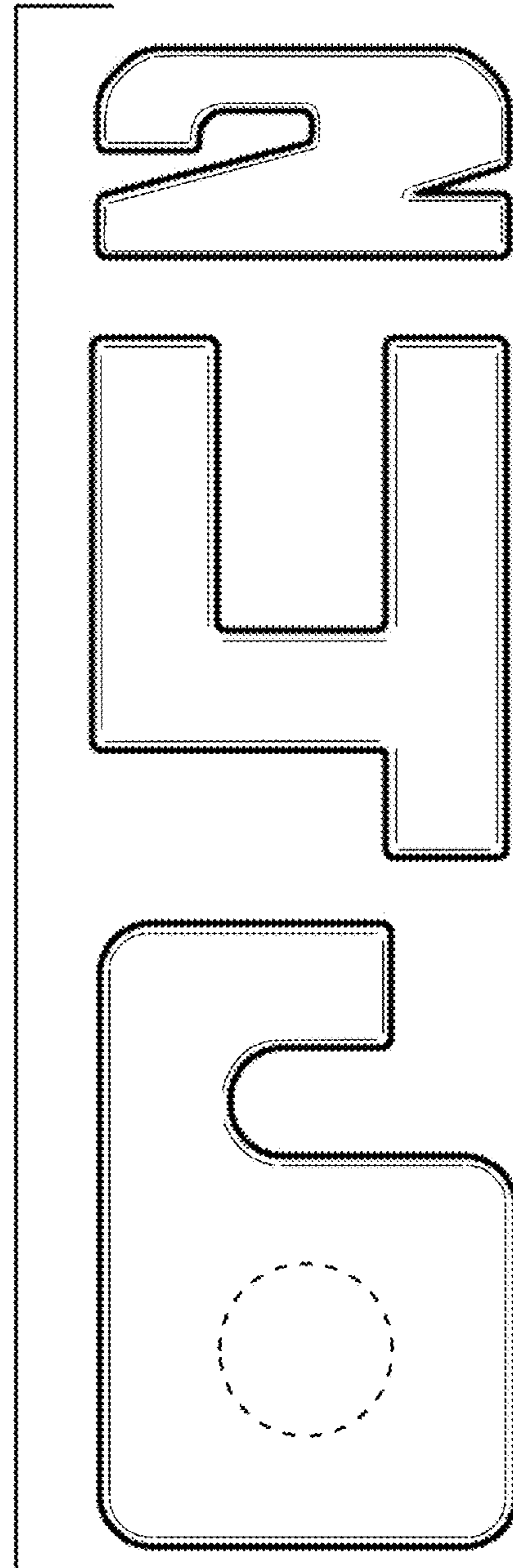


FIG. 3

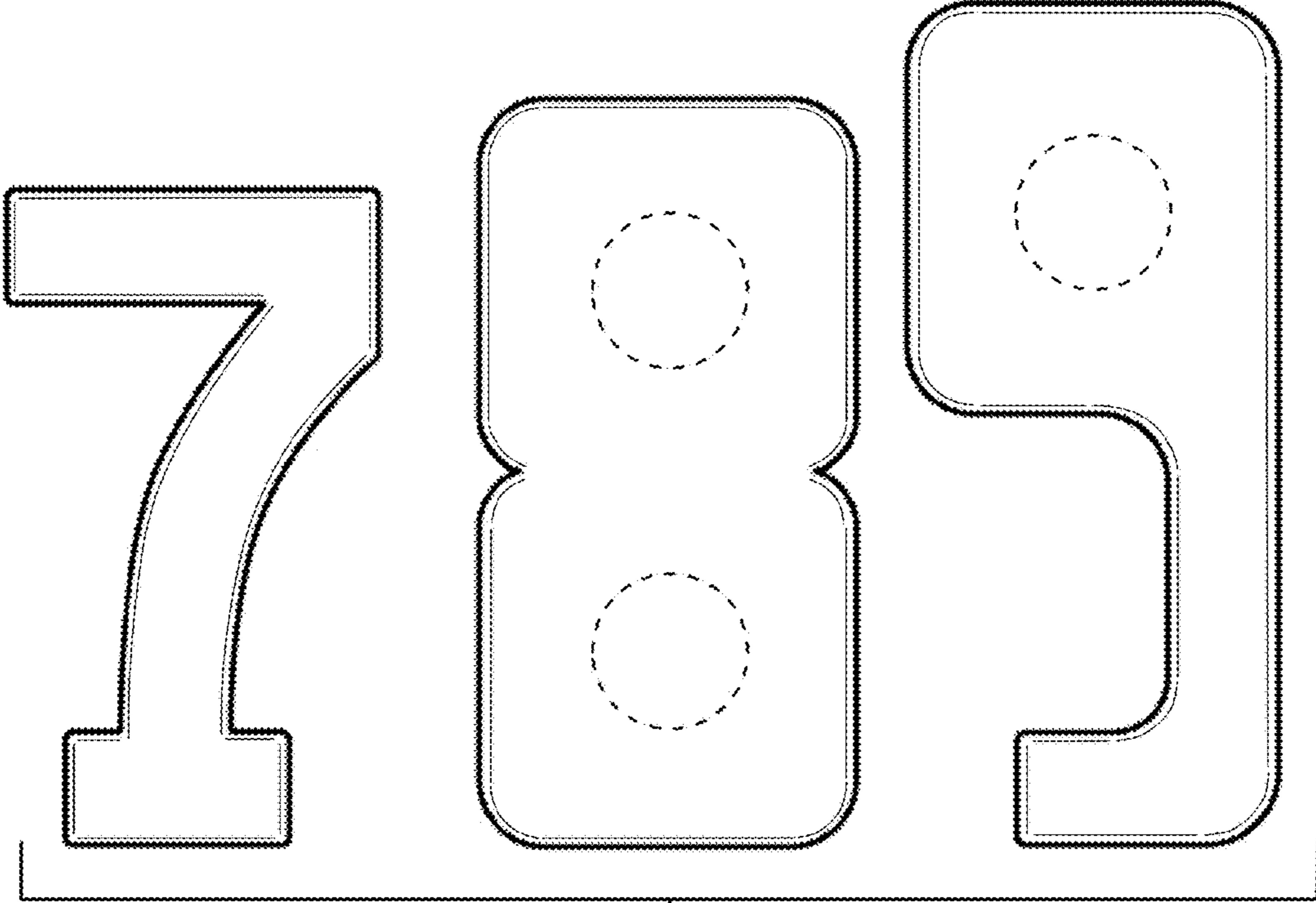


FIG.4

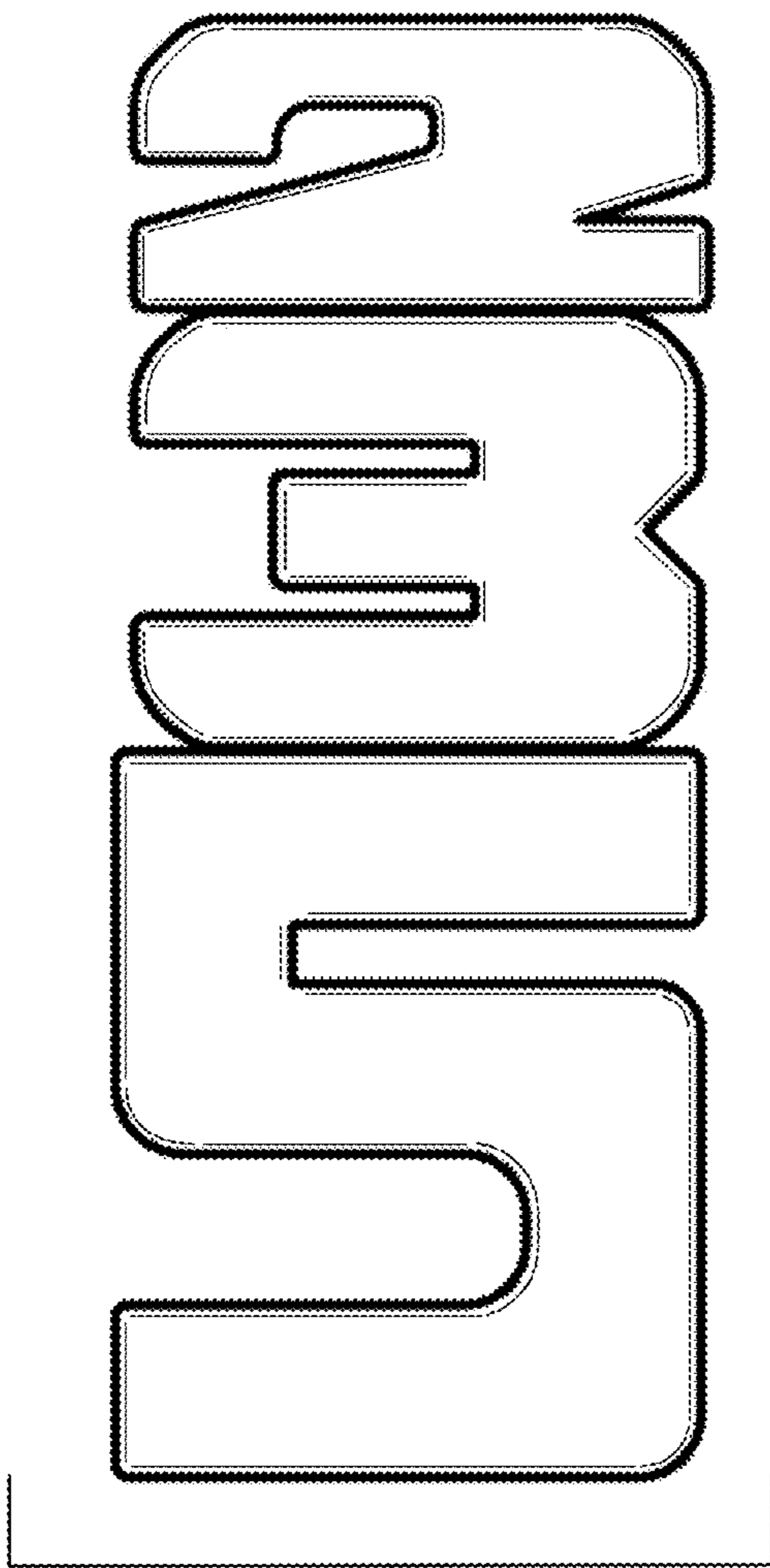


FIG. 5

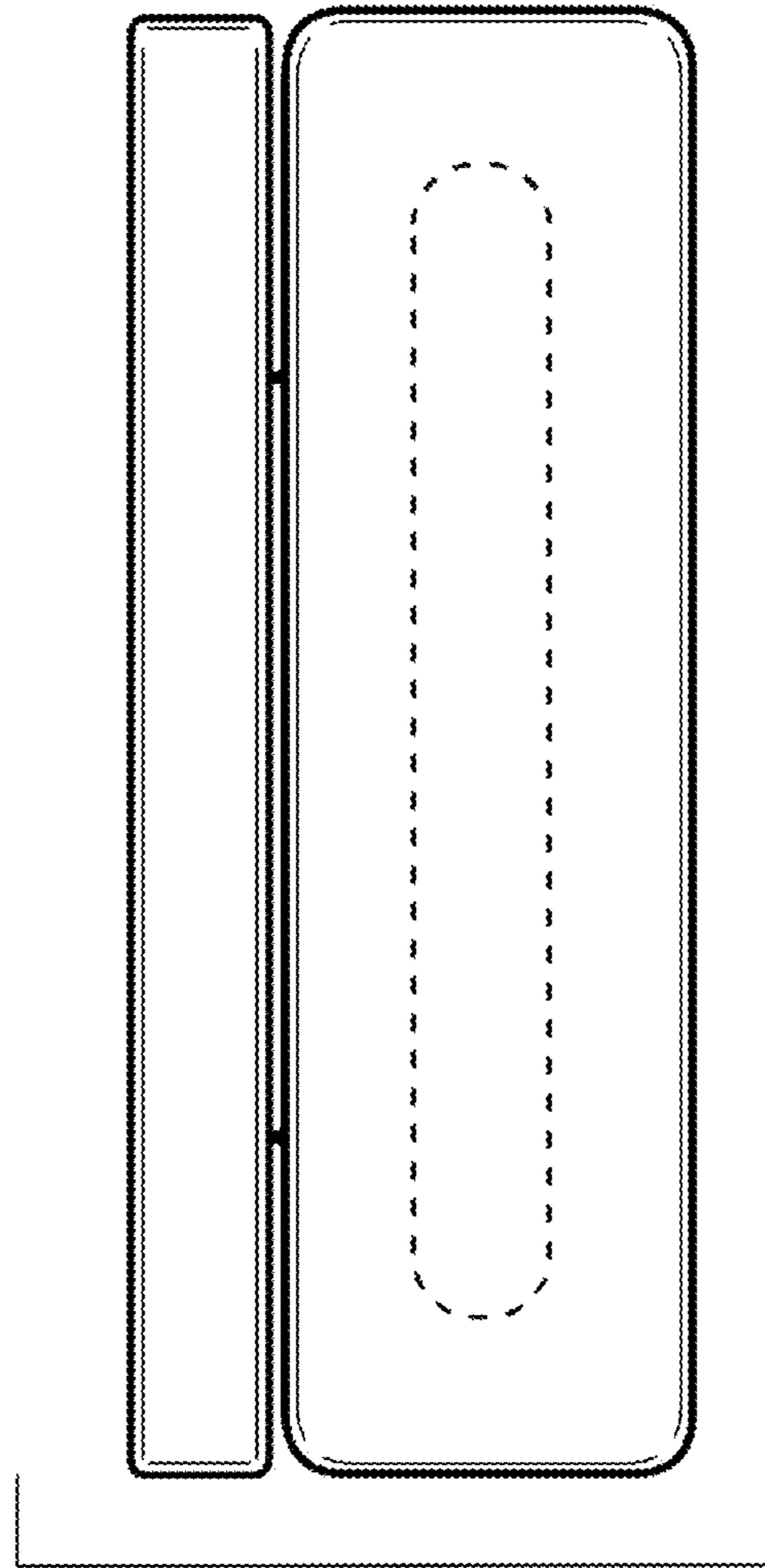


FIG. 6

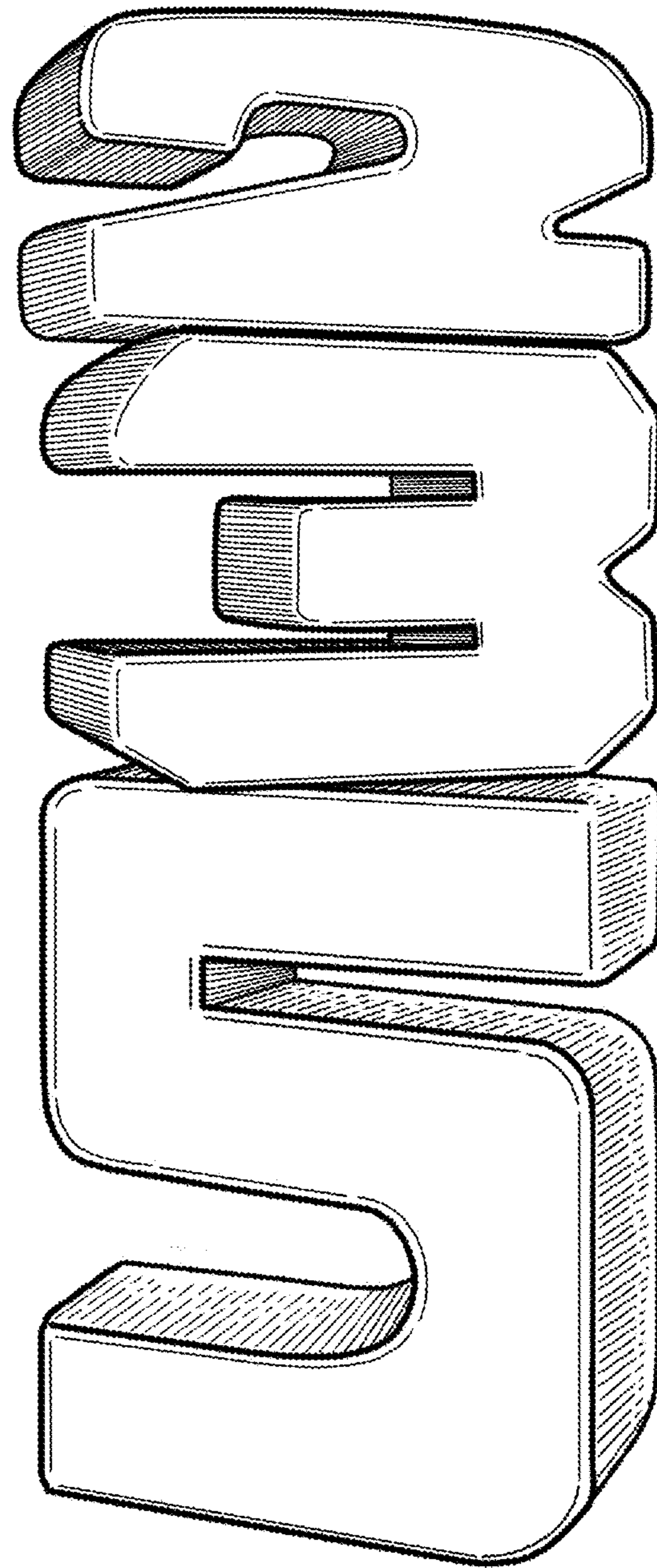


FIG.7

FIG.8

