



US00D785702S

(12) **United States Design Patent** (10) **Patent No.:** **US D785,702 S**  
**Sato et al.** (45) **Date of Patent:** **\*\* May 2, 2017**

(54) **PRINTER**

(56) **References Cited**

(71) Applicant: **BROTHER INDUSTRIES, LTD.**,  
Nagoya-shi, Aichi-ken (JP)

(72) Inventors: **Yukihiko Sato**, Nagoya (JP); **Yusaku Seki**, Nagoya (JP); **Hiromitsu Tanaka**, Nagoya (JP)

(73) Assignee: **BROTHER INDUSTRIES, LTD.**,  
Nagoya (JP)

U.S. PATENT DOCUMENTS

D350,769	S	*	9/1994	Hattori	.....	D18/46
D435,858	S	*	1/2001	Hatanaka	.....	D18/39
D436,122	S	*	1/2001	Isomoto	.....	D18/49
D557,738	S	*	12/2007	Falk	.....	D18/53
D559,897	S	*	1/2008	Suzuki	.....	D18/49
D584,756	S	*	1/2009	Yamakawa	.....	
D650,834	S	*	12/2011	Brown	.....	D18/39
D685,414	S	*	7/2013	Jeong	.....	D18/53
8,570,624	B2	*	10/2013	Nagashima	.....	G03G 15/60
						358/1.1
D695,339	S	*	12/2013	Fukasawa	.....	D18/53
D726,249	S	*	4/2015	Kim	.....	D18/53
D733,712	S	*	7/2015	Nakagawa	.....	D14/421
D763,958	S	*	8/2016	Kim	.....	D18/53
D767,676	S	*	9/2016	So	.....	D18/56

(\*\*) Term: **15 Years**

(21) Appl. No.: **29/541,072**

(22) Filed: **Sep. 30, 2015**

(30) **Foreign Application Priority Data**

Mar. 30, 2015 (JP) ..... 2015-6923

(51) **LOC (10) Cl.** ..... **18-02**

(52) **U.S. Cl.**  
USPC ..... **D18/56**

(58) **Field of Classification Search**

USPC ..... D18/12, 40, 43, 56, 4.5, 4.6, 14, 18, 19,  
D18/36-41, 46-50, 53, 54, 99, 55;  
D20/11, 19, 22, 27, 28; D14/421, 422,  
D14/425, 432

CPC ..... B41J 3/4075; B41J 15/044; B41J 32/00;  
B31D 1/027; G06F 17/30725; G06Q  
20/3274; G06Q 20/3276; B14J 2/17;  
B14J 2/1721; B14J 2/17503; B14J  
2/175013; B14J 2/1752; B14J 2/17523;  
B14J 2/17553; B14J 2/17556; B14J  
2/185; B14J 29/377

See application file for complete search history.

*Primary Examiner* — Cathron Brooks  
*Assistant Examiner* — Andrew Nemeth  
 (74) *Attorney, Agent, or Firm* — Oliff PLC

(57) **CLAIM**

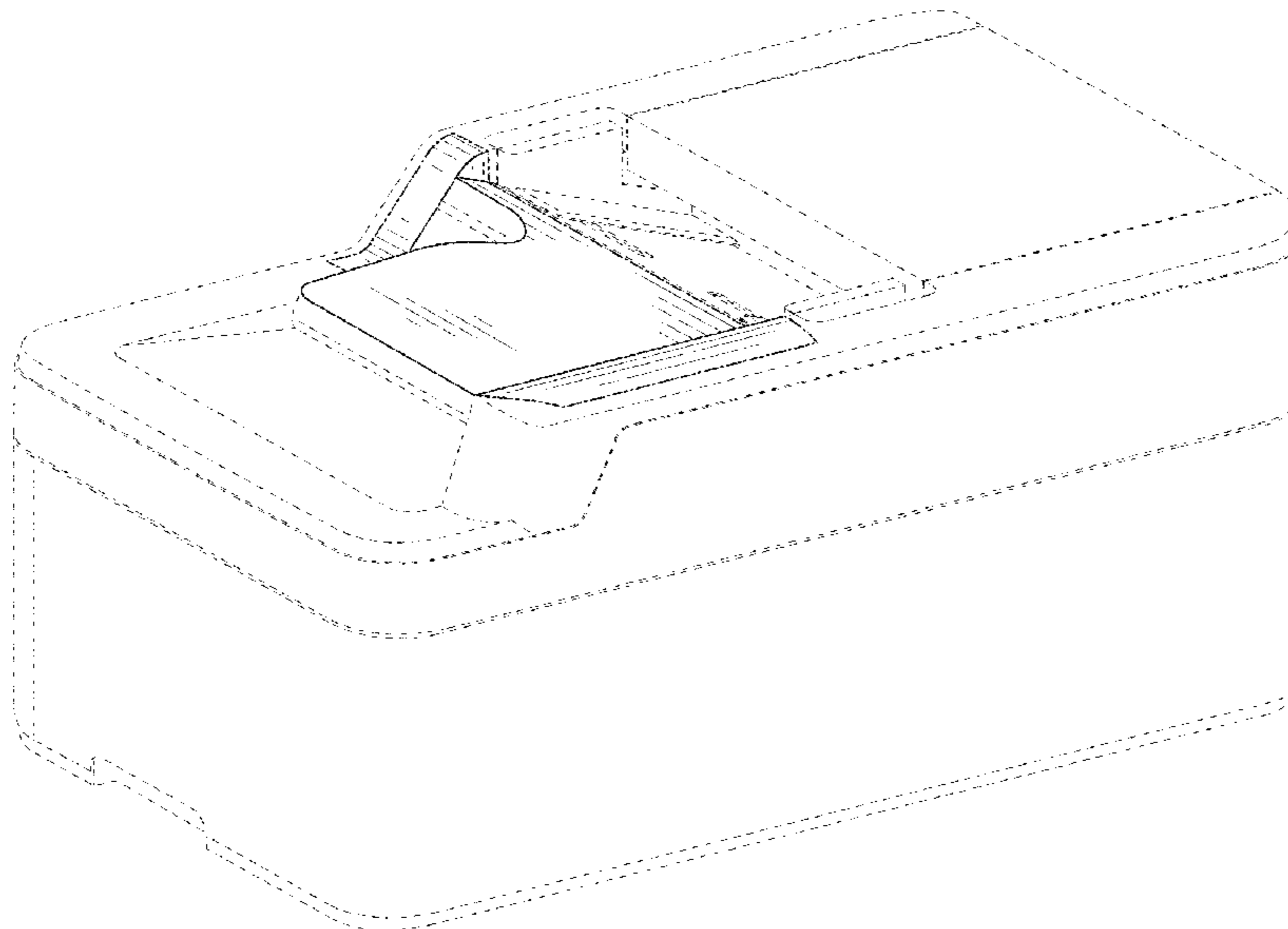
The ornamental design for a printer, as shown and described.

**DESCRIPTION**

FIG. 1 is a top, front, right-side perspective view of a printer; FIG. 2 is a top, rear, right-side perspective view thereof; FIG. 3 is a front view thereof; FIG. 4 is a top view thereof; FIG. 5 is a right-side view thereof; and, FIG. 6 is a rear view thereof.

The broken lines depict environmental subject matter only and form no part of the claimed design. The dot-dash lines depict a boundary between claimed and unclaimed subject matter, and form no part of the claimed design. The left-side view and the bottom view depict only environmental subject matter, and thus are not illustrated.

**1 Claim, 6 Drawing Sheets**



(56)

**References Cited**

U.S. PATENT DOCUMENTS

D769,968 S \* 10/2016 So ..... D18/56  
2013/0135645 A1\* 5/2013 Horiguchi ..... G06K 15/02  
358/1.13  
2016/0309046 A1\* 10/2016 Xie ..... H04N 1/0032

\* cited by examiner

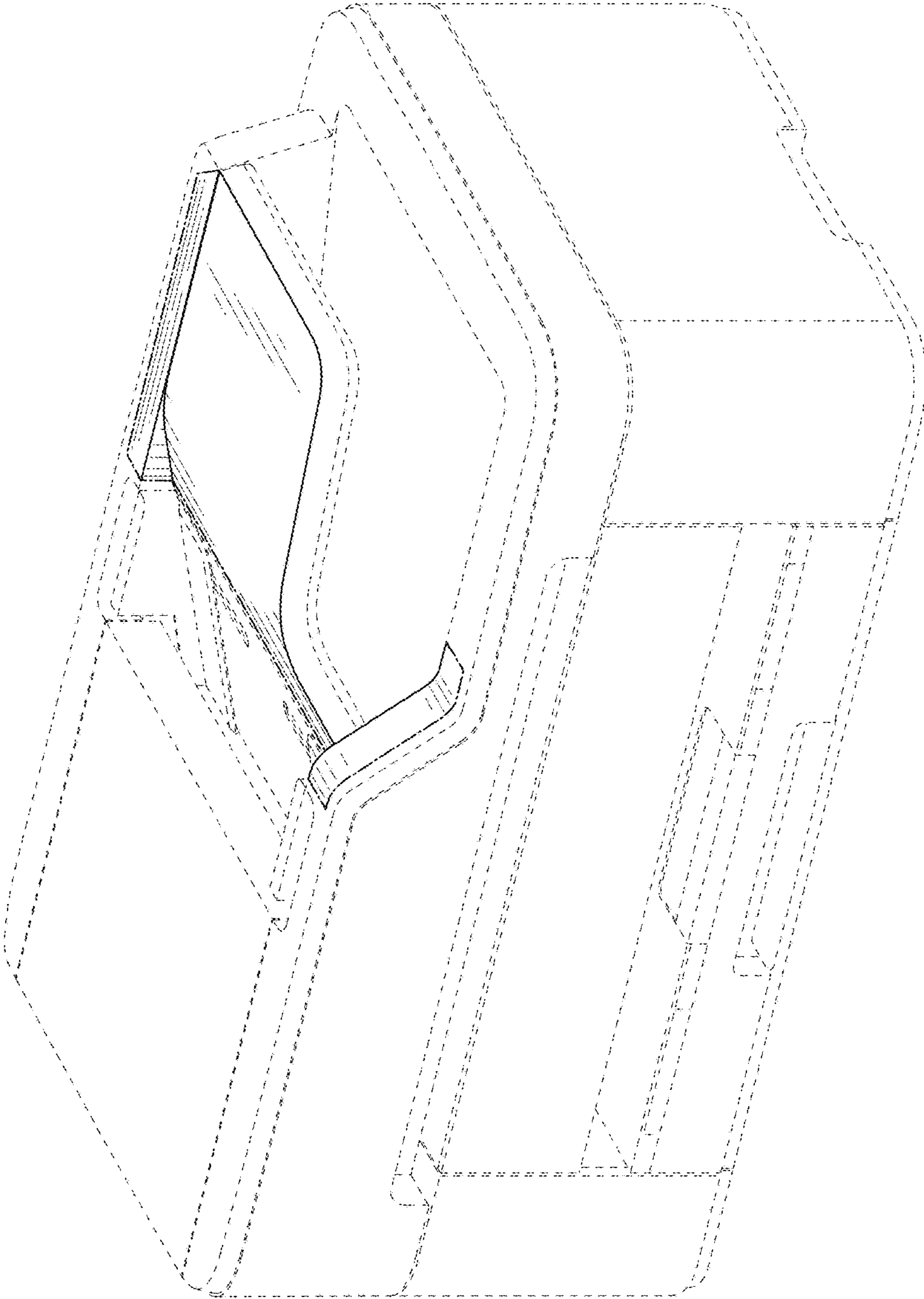


FIG. 1

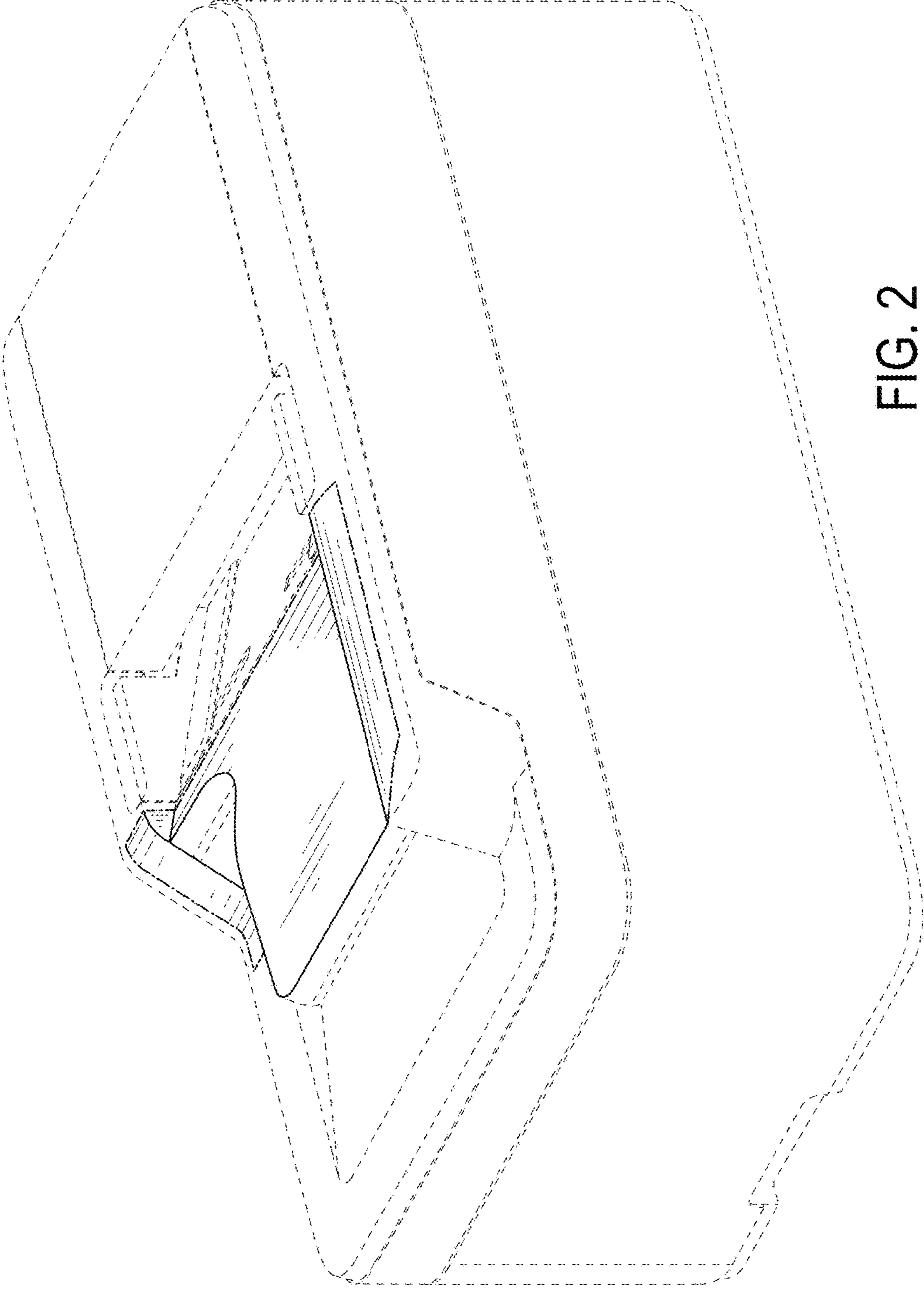


FIG. 2

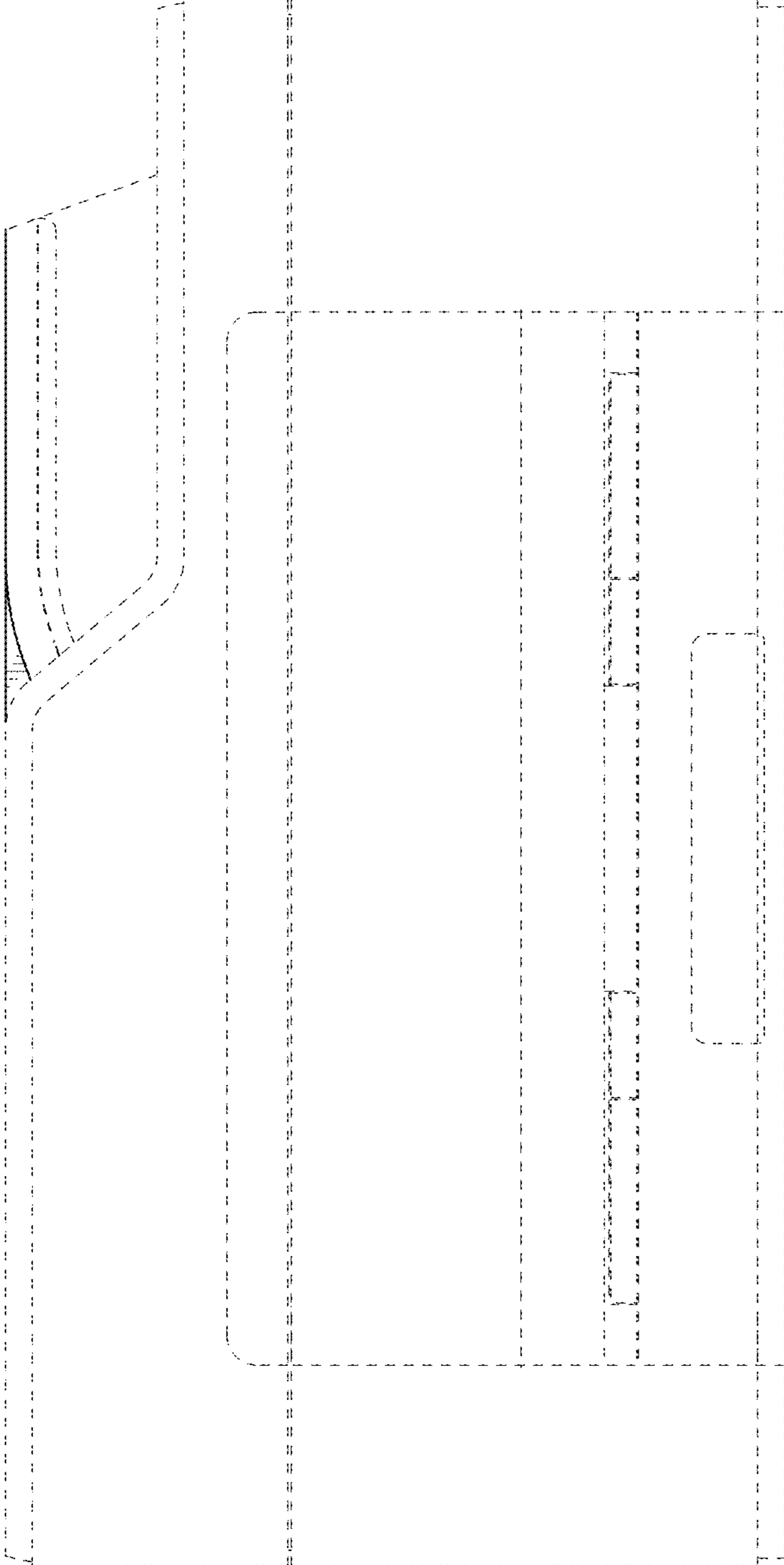


FIG. 3

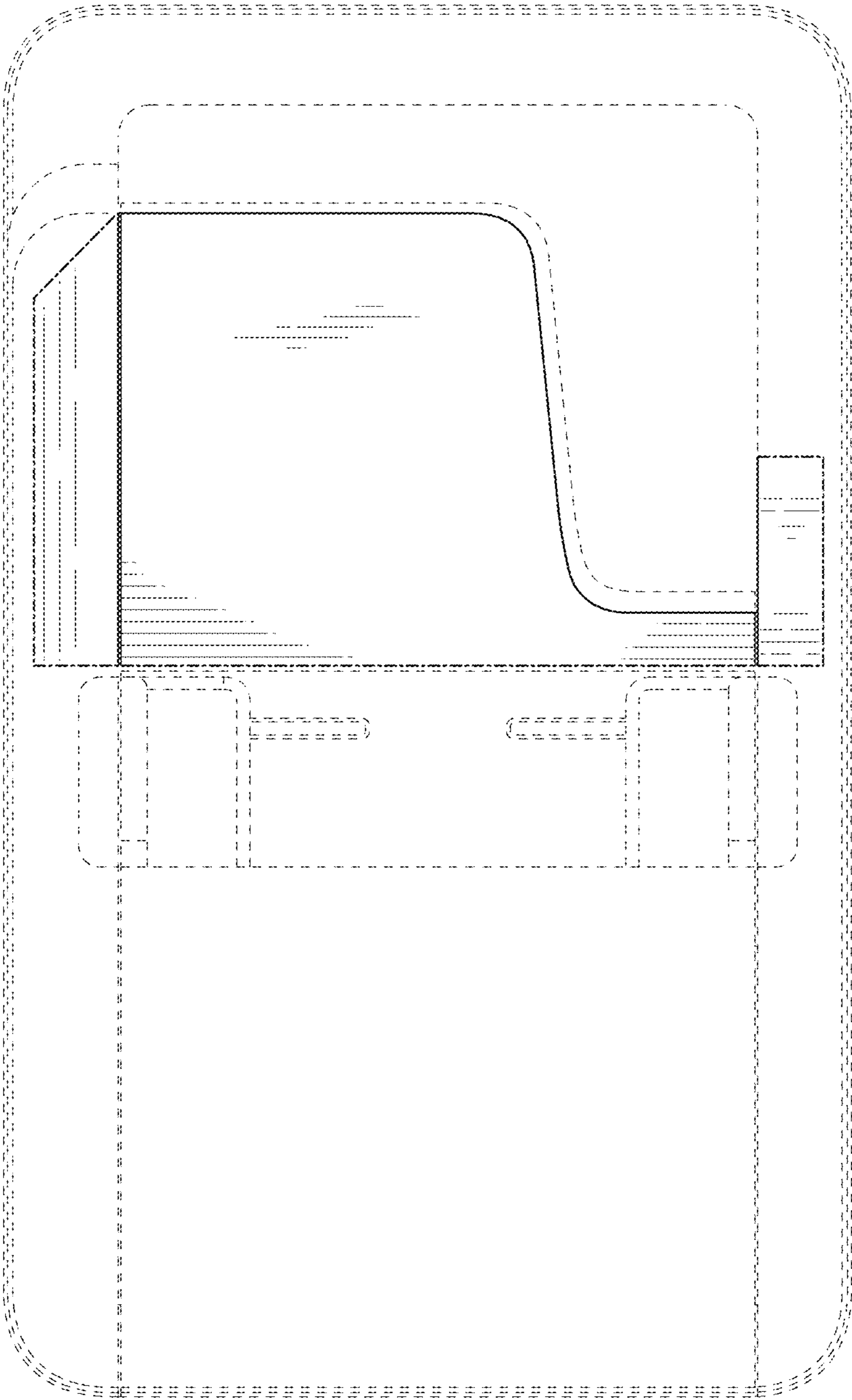


FIG. 4

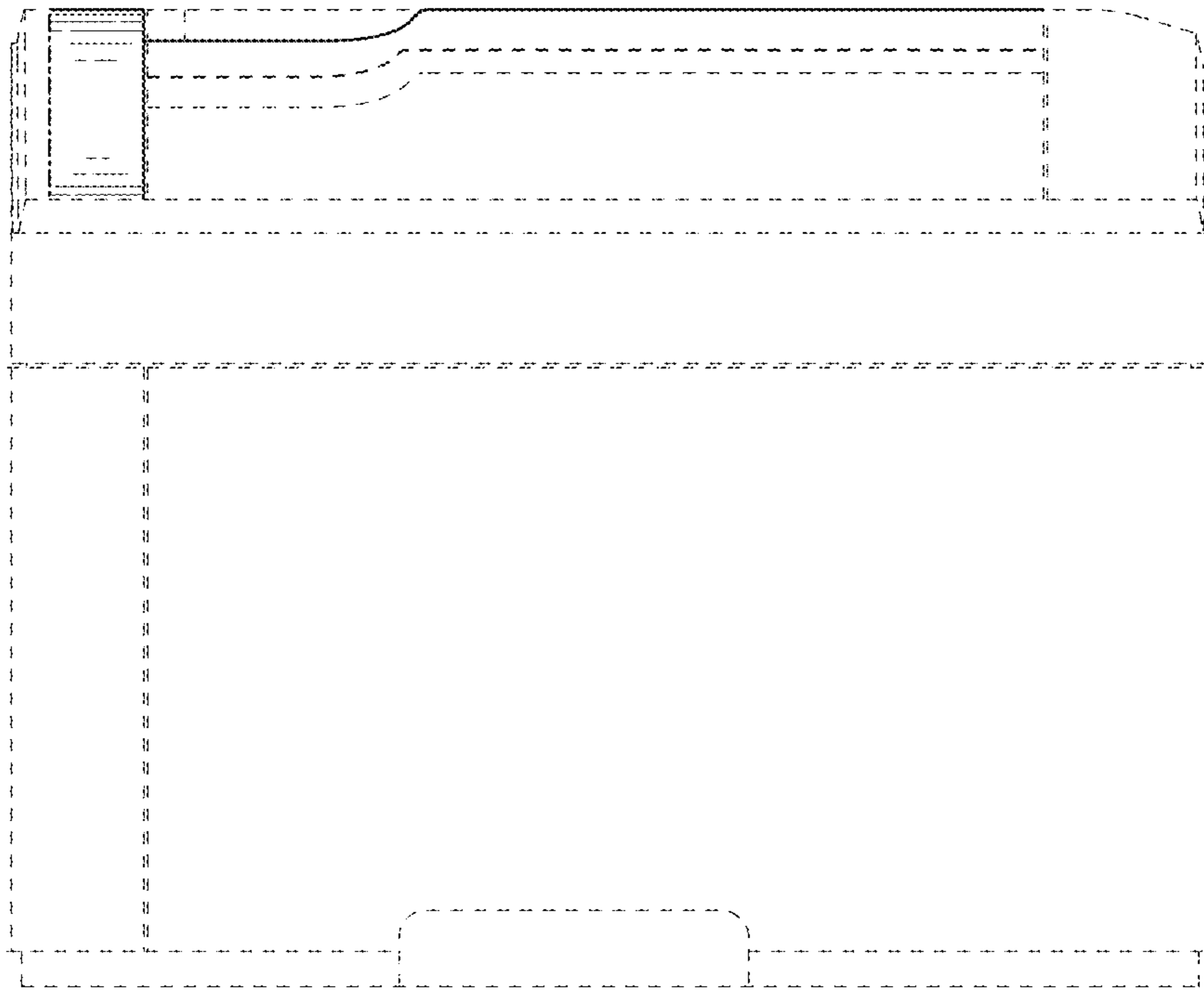


FIG. 5

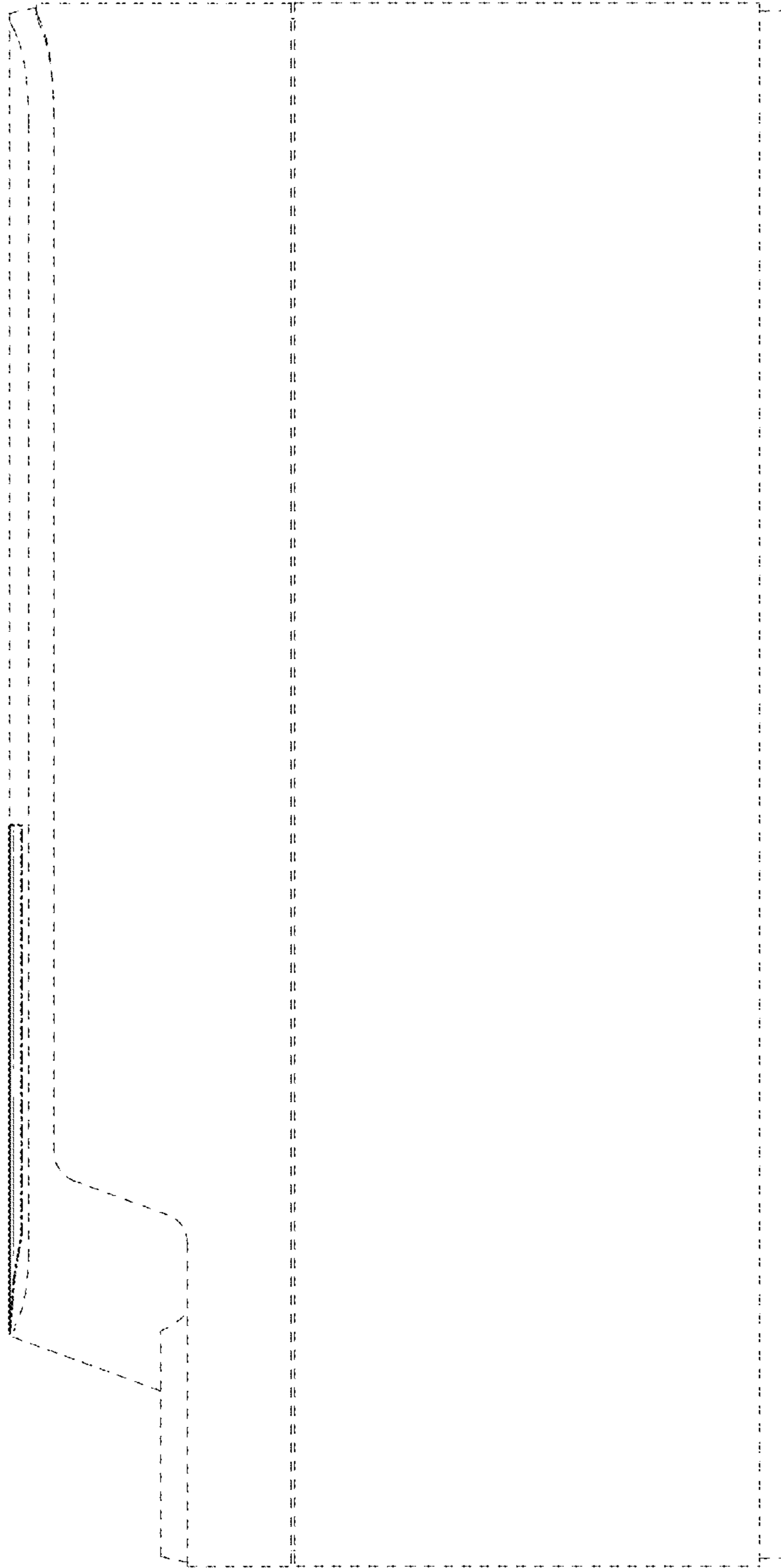


FIG. 6