



US00D785701S

(12) **United States Design Patent**
Kuboki et al.

(10) **Patent No.:** **US D785,701 S**

(45) **Date of Patent:** **** May 2, 2017**

- (54) **TONER CONTAINER**
- (71) Applicants: **Shingo Kuboki**, Ebina (JP); **Jun Shiori**, Ohta-ku (JP); **Hideo Yoshizawa**, Ohta-ku (JP)
- (72) Inventors: **Shingo Kuboki**, Ebina (JP); **Jun Shiori**, Ohta-ku (JP); **Hideo Yoshizawa**, Ohta-ku (JP)
- (73) Assignee: **RICOH COMPANY, LTD.**, Tokyo (JP)
- (**) Term: **15 Years**

(21) Appl. No.: **29/538,460**

(22) Filed: **Sep. 3, 2015**

(30) **Foreign Application Priority Data**

Mar. 17, 2015 (JP) 2015-005699

(51) **LOC (10) Cl.** **16-03**

(52) **U.S. Cl.**
USPC **D18/43**

(58) **Field of Classification Search**
USPC D18/12, 18, 36, 43, 56, 99; D14/309,
D14/332, 471; 399/11, 92, 106, 110,
399/111; 222/DIG. 1
See application file for complete search history.

(56) **References Cited**

U.S. PATENT DOCUMENTS

- 7,561,821 B2 * 7/2009 Koyama G03G 15/0886
399/106
- 7,794,071 B2 * 9/2010 Hibbard B41J 2/17513
347/85
- 7,822,369 B2 * 10/2010 Koyama G03G 15/0868
399/260
- 7,826,779 B2 * 11/2010 Mase G03G 21/1817
399/111

- 8,369,738 B2 * 2/2013 Kadota G03G 15/0867
399/106
- D718,382 S * 11/2014 Kikuchi D18/43
- 8,929,779 B2 * 1/2015 Takami G03G 15/0886
399/262
- D734,386 S * 7/2015 Kikuchi D18/43
- D736,850 S * 8/2015 Kikuchi D18/43

(Continued)

OTHER PUBLICATIONS

- U.S. Appl. No. 29/538,460, filed Sep. 3, 2015, Kuboki, et al.
- U.S. Appl. No. 29/538,641, filed Sep. 4, 2015, Kuboki, et al.
- U.S. Appl. No. 14/854,882, filed Jun. 15, 2015, Kikuchi, et al.

Primary Examiner — Barbara Fox

Assistant Examiner — Mary C Ramirez

(74) *Attorney, Agent, or Firm* — Oblon, McClelland,
Maier & Neustadt, L.L.P.

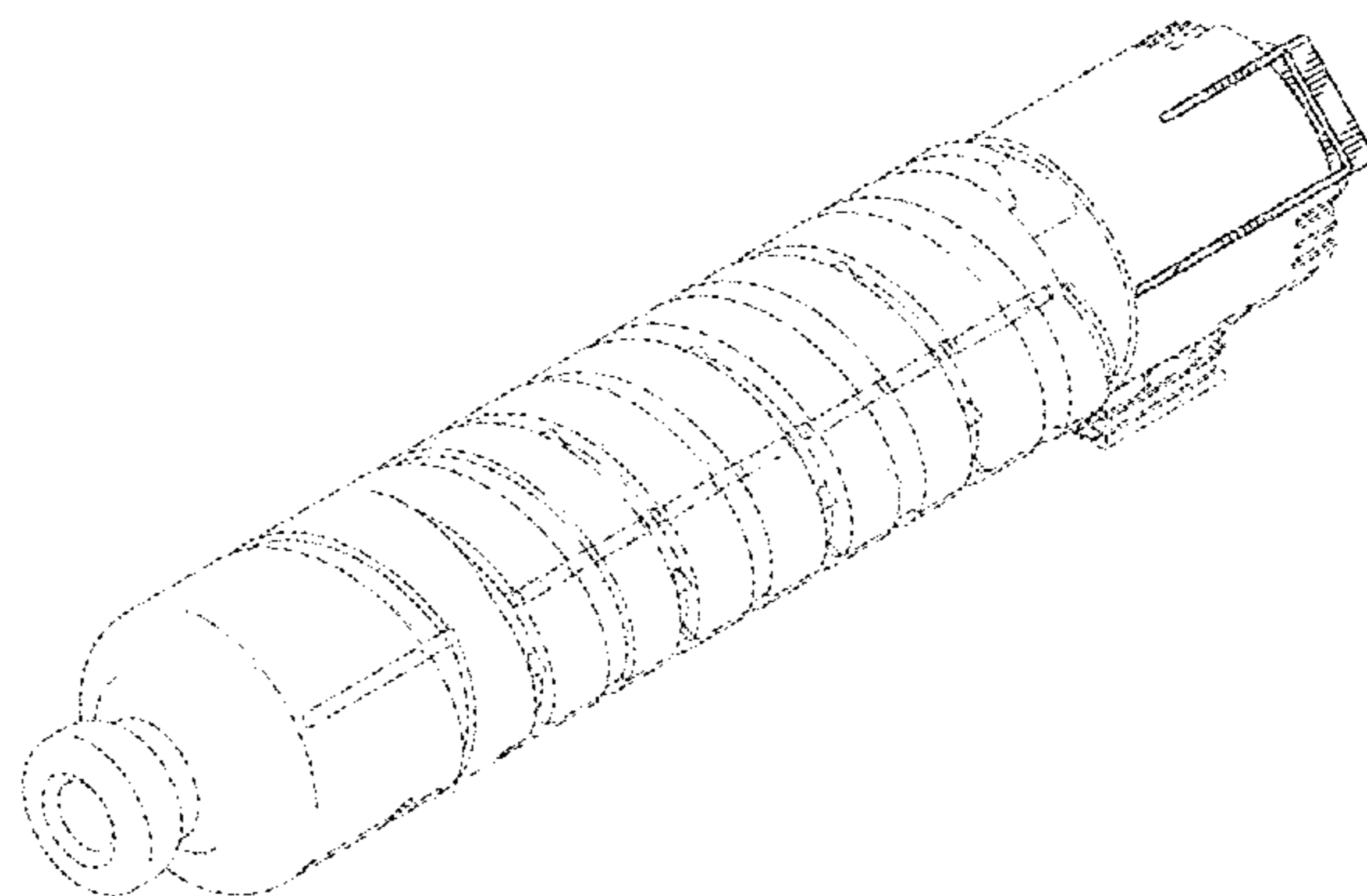
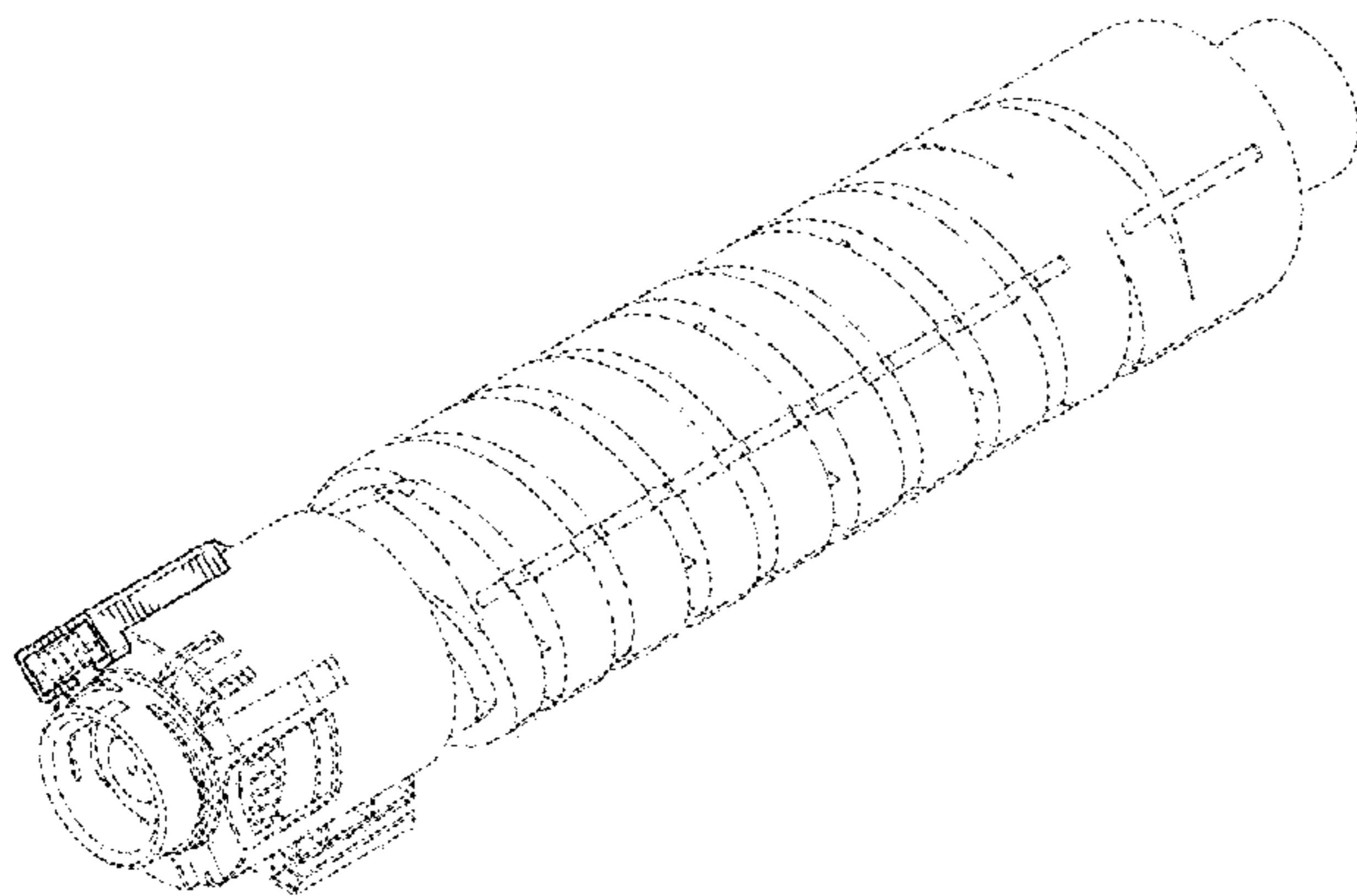
(57) **CLAIM**

The ornamental design for a toner container, as shown and described.

DESCRIPTION

FIG. 1 is a front, top, left side perspective view of a toner container showing our new design; FIG. 2 is a rear, top, right side perspective view thereof; FIG. 3 is a front, bottom, left side perspective view thereof; FIG. 4 is a front elevational view thereof; FIG. 5 is a rear elevational view thereof; FIG. 6 is a top elevational view thereof; FIG. 7 is a bottom elevational view thereof; FIG. 8 is an enlarged left side elevational view thereof; and, FIG. 9 is an enlarged right side elevational view thereof. The broken lines shown in the drawings illustrate portions of the toner container that form no part of the claimed design.

1 Claim, 9 Drawing Sheets



(56)

References Cited

U.S. PATENT DOCUMENTS

D740,356	S *	10/2015	Kikuchi	D18/43
D753,216	S *	4/2016	Kikuchi	D18/43
D757,173	S *	5/2016	Ishizawa	D18/56
9,405,221	B2 *	8/2016	Komatsu	G03G 15/0832
2007/0172252	A1 *	7/2007	Koyama	G03G 15/0882
				399/106
2014/0270859	A1 *	9/2014	Hosokawa	G03G 15/0872
				399/262
2016/0004184	A1 *	1/2016	Kikuchi	G03G 15/087
				399/258

* cited by examiner

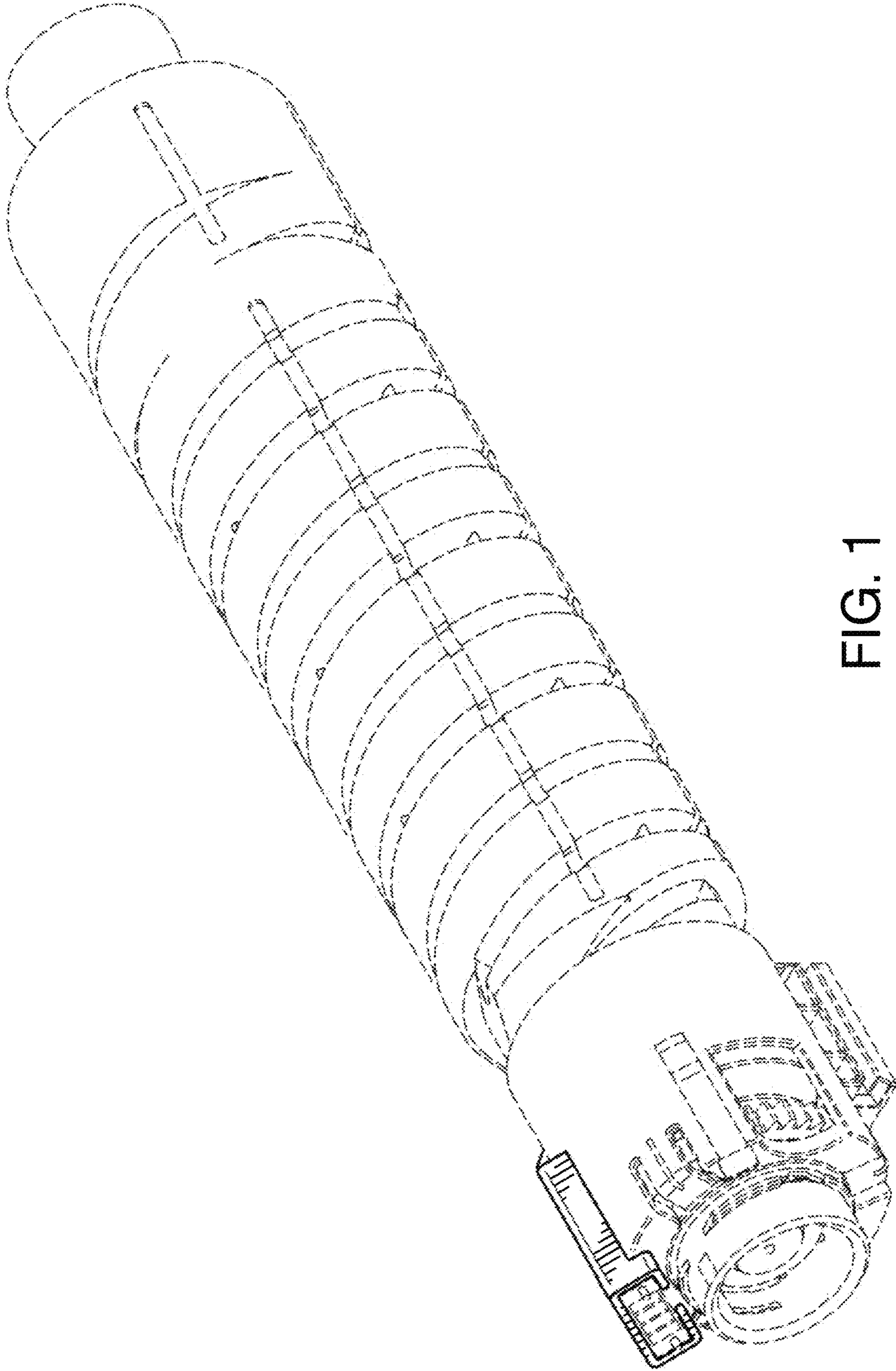


FIG. 1

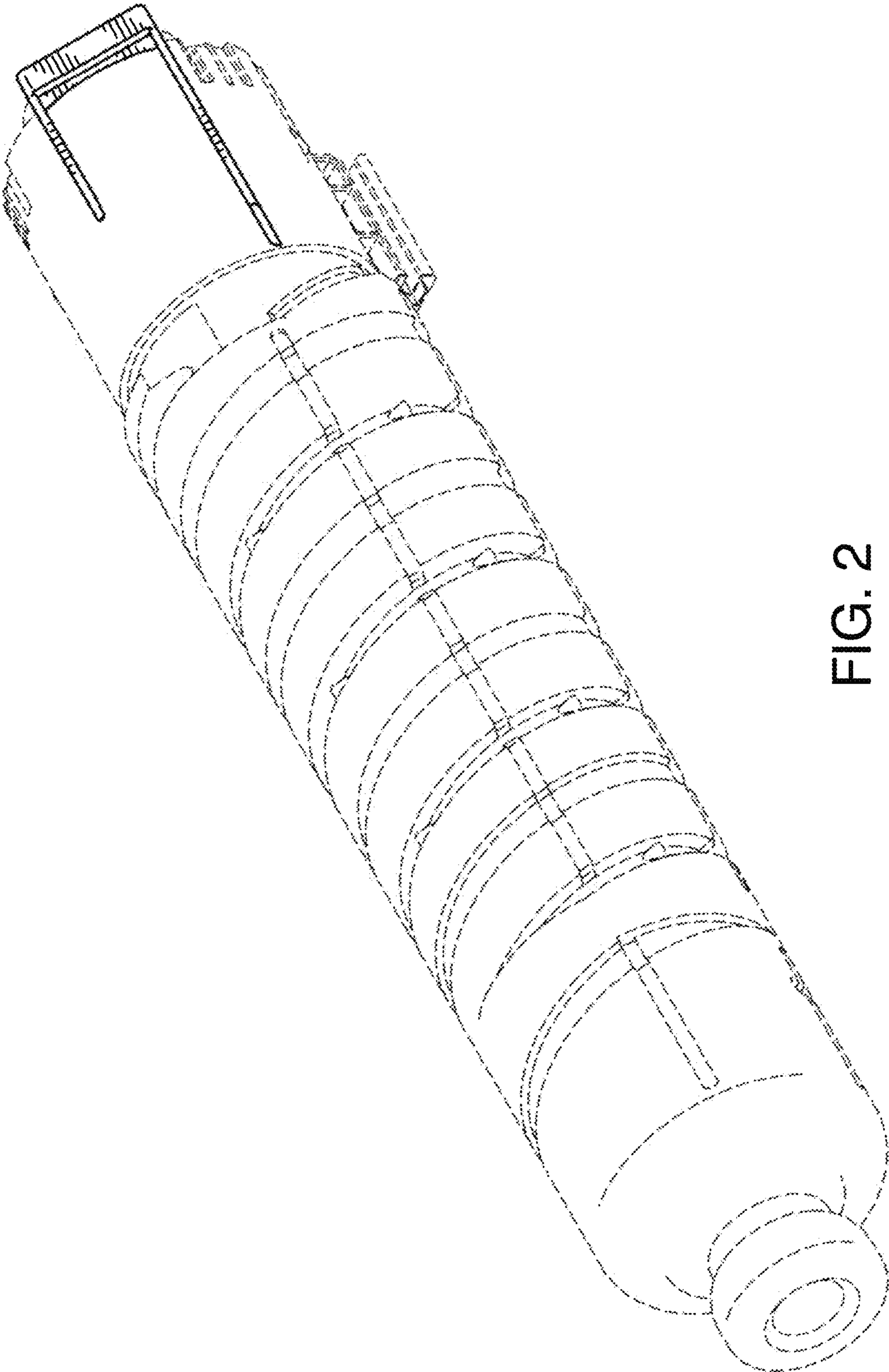


FIG. 2

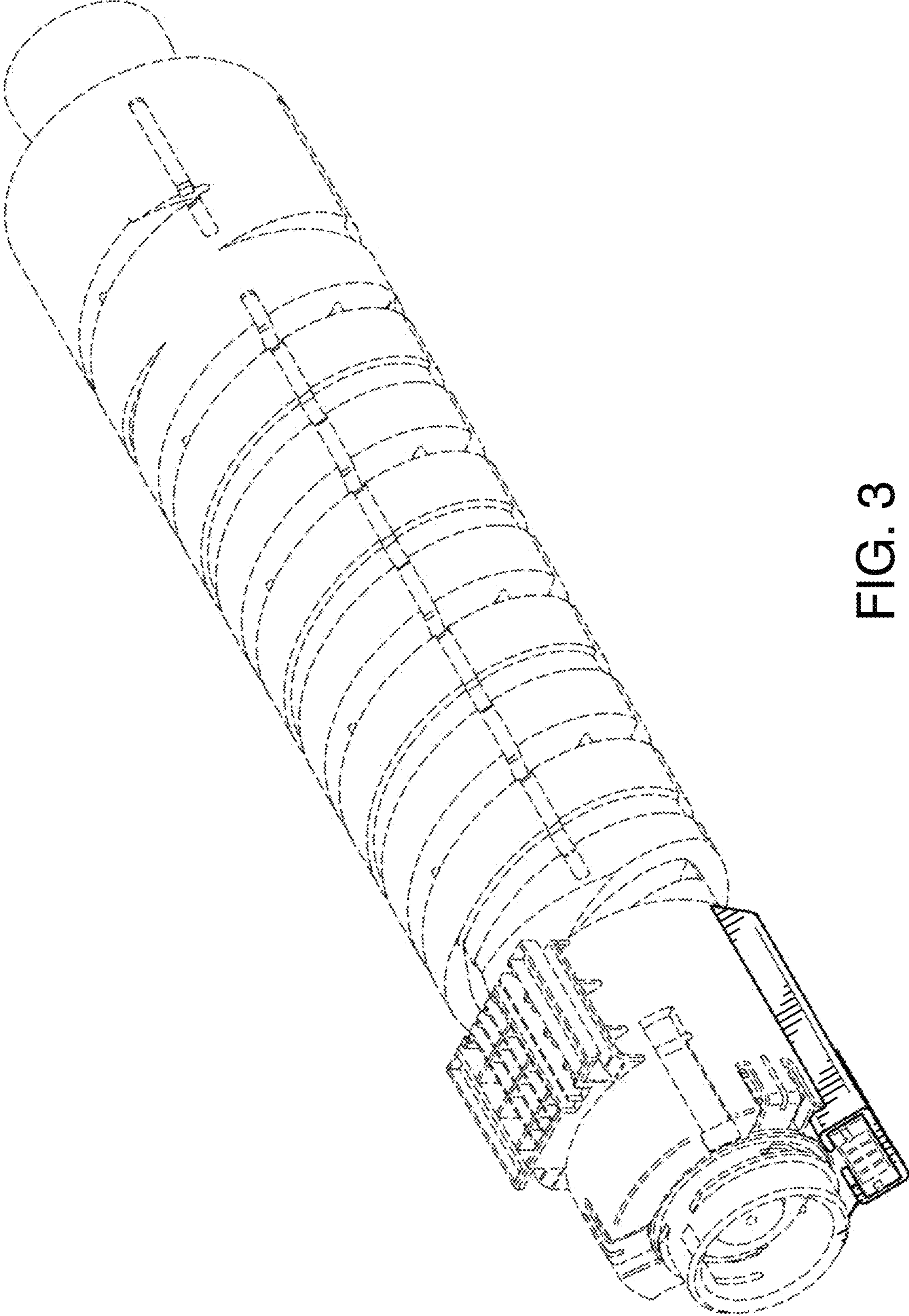


FIG. 3

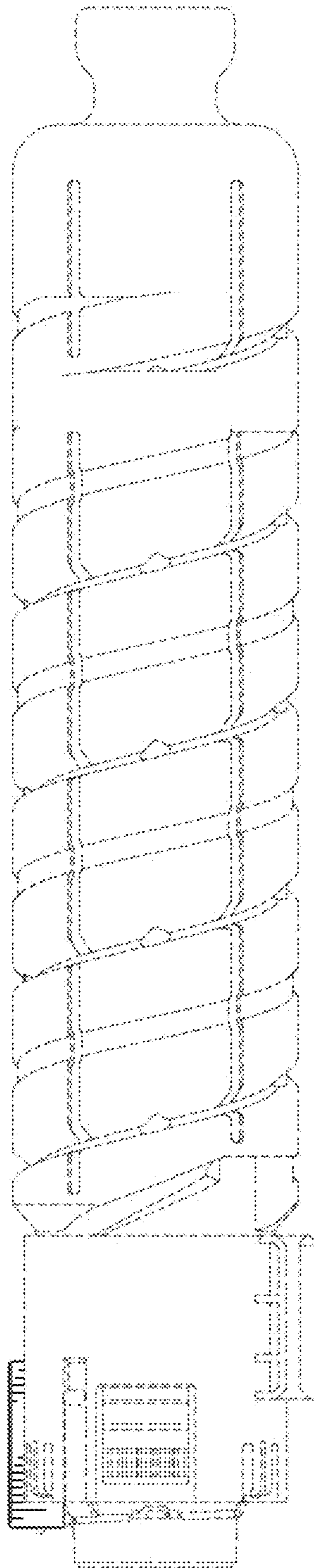


FIG. 4

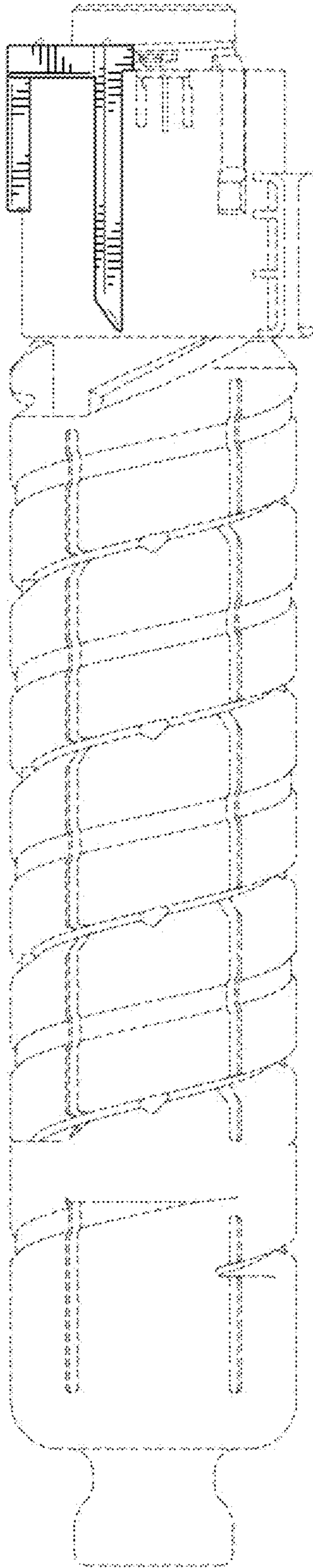


FIG. 5

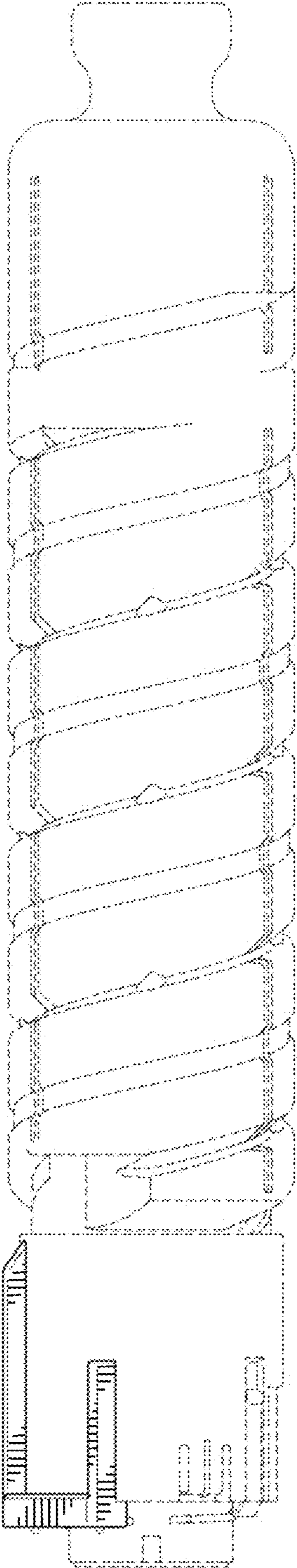


FIG. 6

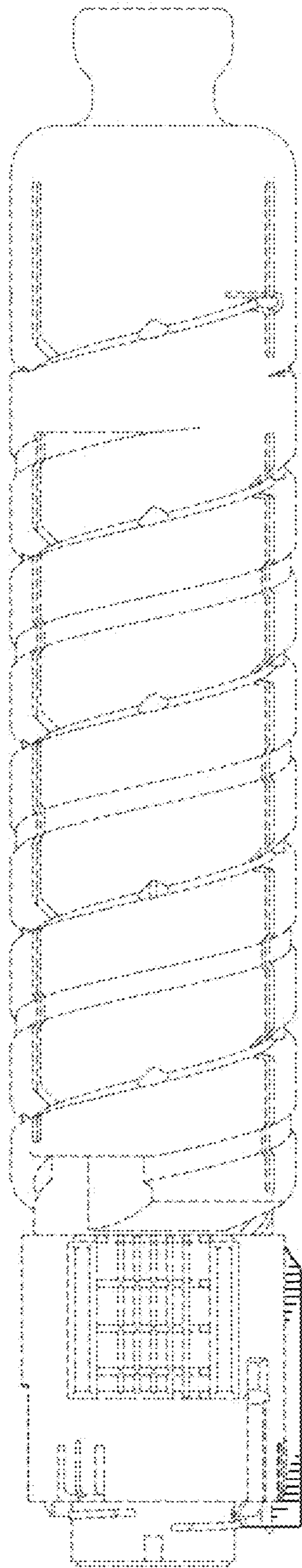


FIG. 7

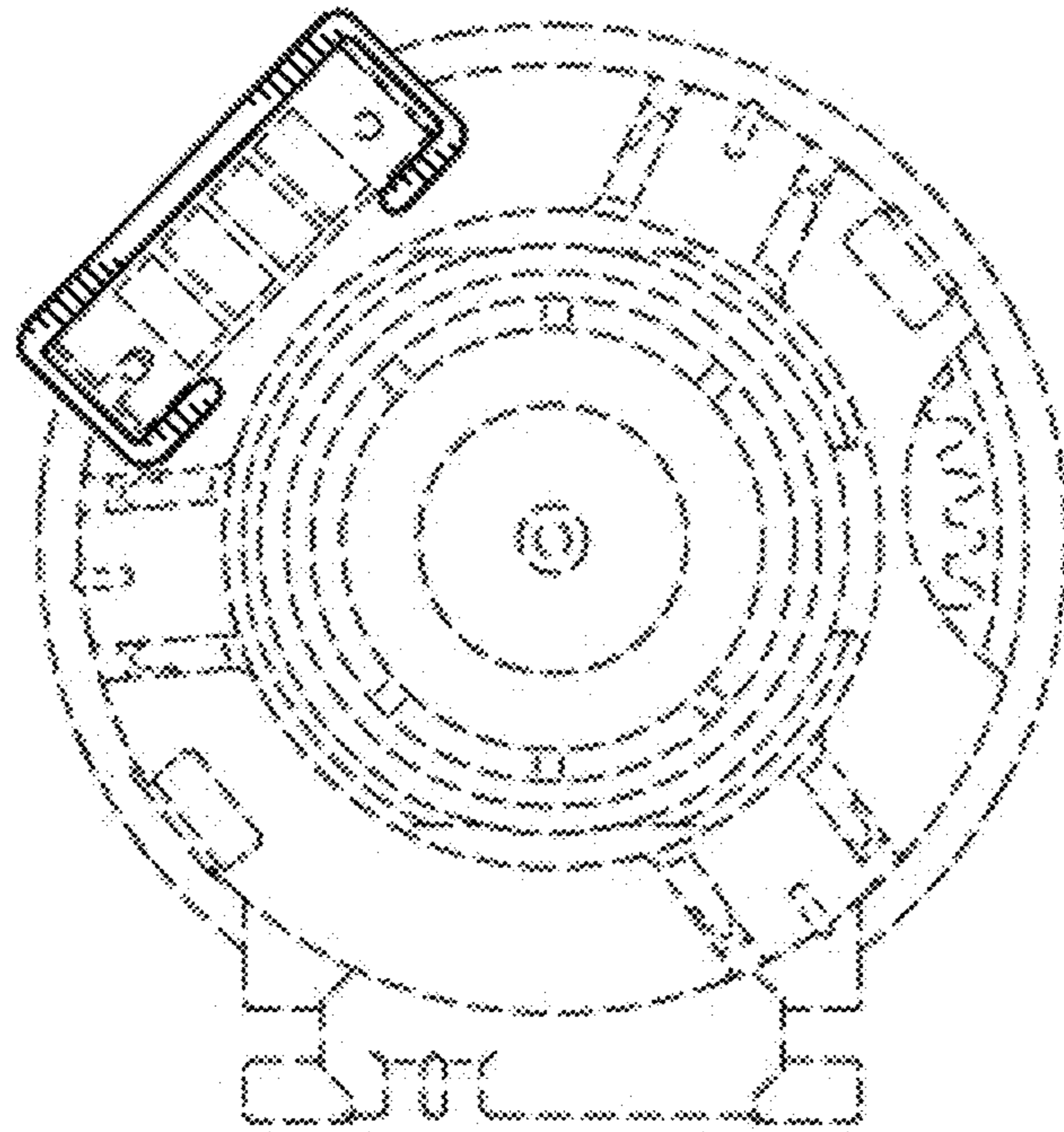


FIG. 8

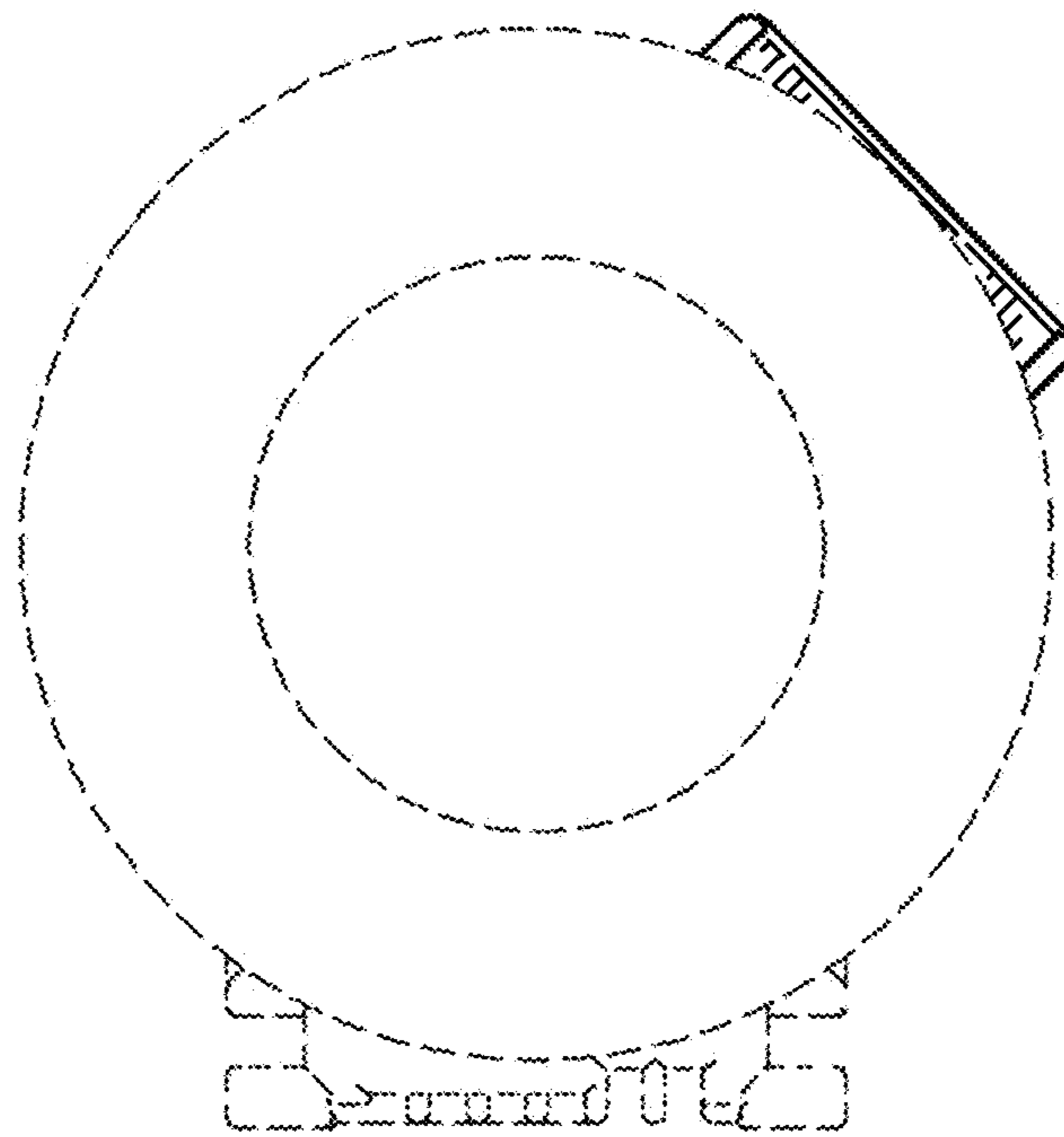


FIG. 9