



US00D785698S

(12) **United States Design Patent** (10) **Patent No.:** **US D785,698 S**
Wang (45) **Date of Patent:** **** May 2, 2017**

- (54) **CARRIER**
- (71) Applicant: **SZ DJI Technology Co., Ltd.**,
Shenzhen (CN)
- (72) Inventor: **Zhen Wang**, Shenzhen (CN)
- (73) Assignee: **SZI DJI Technology Co., Ltd.**,
Shenzhen (CN)
- (**) Term: **15 Years**
- (21) Appl. No.: **29/556,333**
- (22) Filed: **Feb. 29, 2016**

D611,084	S	*	3/2010	Anderson	D16/235
D630,240	S	*	1/2011	Torbitt	D16/245
D653,692	S	*	2/2012	Dordick	D16/242
D691,190	S	*	10/2013	Unno	D16/235
D741,940	S	*	10/2015	Kessler	D16/242
D754,242	S	*	4/2016	Wang	D16/242
D771,733	S	*	11/2016	Wang	D16/242
2009/0050760	A1	*	2/2009	Duff	F16M 13/02 248/231.91
2012/0160980	A1	*	6/2012	Wang	F16M 11/10 248/405
2013/0126688	A1	*	5/2013	Li	F16M 11/041 248/276.1

(Continued)

Related U.S. Application Data

- (63) Continuation of application No. 29/479,219, filed on Jan. 13, 2014, now Pat. No. Des. 754,242.
- (51) **LOC (10) Cl.** **16-05**
- (52) **U.S. Cl.**
USPC **D16/242**
- (58) **Field of Classification Search**
USPC D16/200, 204, 208, 213-219, 235,
D16/237-250
CPC G03B 17/02; G03B 17/04; G03B 17/14;
G03B 17/05; G03B 21/20-21/20666;
G03B 15/041-15/0436; G03B 17/56;
F16M 11/14; F16M 11/16; F16M 11/32
See application file for complete search history.

References Cited

U.S. PATENT DOCUMENTS

D292,982	S	*	12/1987	Nakatani	D16/245
4,955,568	A	*	9/1990	O'Connor	F16M 11/10 248/183.3
D323,339	S	*	1/1992	Ishikawa	D16/245
D564,010	S	*	3/2008	Dordick	D16/242
D564,567	S	*	3/2008	Dordick	D16/242
D576,633	S	*	9/2008	Muday	D14/452

OTHER PUBLICATIONS

DJI Zenmuse Z15-A7 Sony A7S/A7R Professional Aerial Gimbal. [online] Published date unknown. Retrieved on Feb. 13, 2017 from <URL: <https://www.urbantoys.com.au/product/dji-zenmuse-z15-a7-sony-a7s-a7r-professional-aerial-gimbal/>>.*

(Continued)

Primary Examiner — Vy Koenig
Assistant Examiner — Omeed Agilee
(74) *Attorney, Agent, or Firm* — Sterne, Kessler, Goldstein & Fox P.L.L.C.

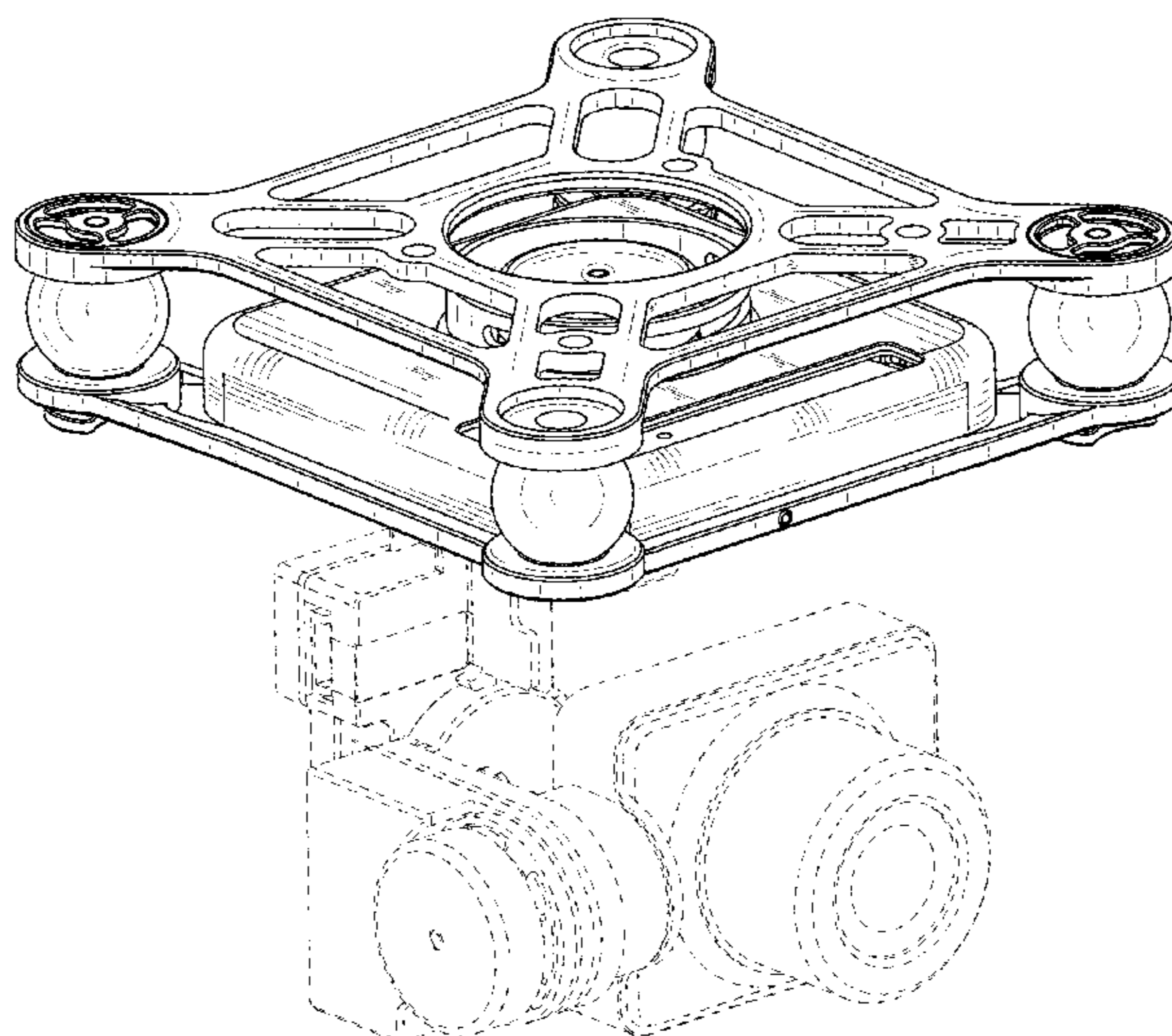
(57) **CLAIM**

The ornamental design for a carrier, as shown and described.

DESCRIPTION

FIG. 1 is a top, front perspective view of a carrier showing the claimed design;
FIG. 2 is a front view thereof;
FIG. 3 is a rear view thereof;
FIG. 4 is a left side view thereof;
FIG. 5 is a right side view thereof;
FIG. 6 is a top view thereof; and,
FIG. 7 is a bottom view thereof.

1 Claim, 7 Drawing Sheets



(56)

References Cited

U.S. PATENT DOCUMENTS

2014/0299738 A1* 10/2014 Runger F16M 11/12
248/661
2015/0097950 A1* 4/2015 Wang H04N 5/23287
348/144
2016/0327847 A1* 11/2016 Yang B64D 47/08

OTHER PUBLICATIONS

DJI Drops Price on Phantom 3 Pro Models in Advance of Rumored Phantom 4. [online] Published date Feb. 16, 2017. Retrieved on Feb. 16, 2017 from <URL: <http://www.gadgetguru.com/dji-drops-phantom-3-professional/>>.*

* cited by examiner

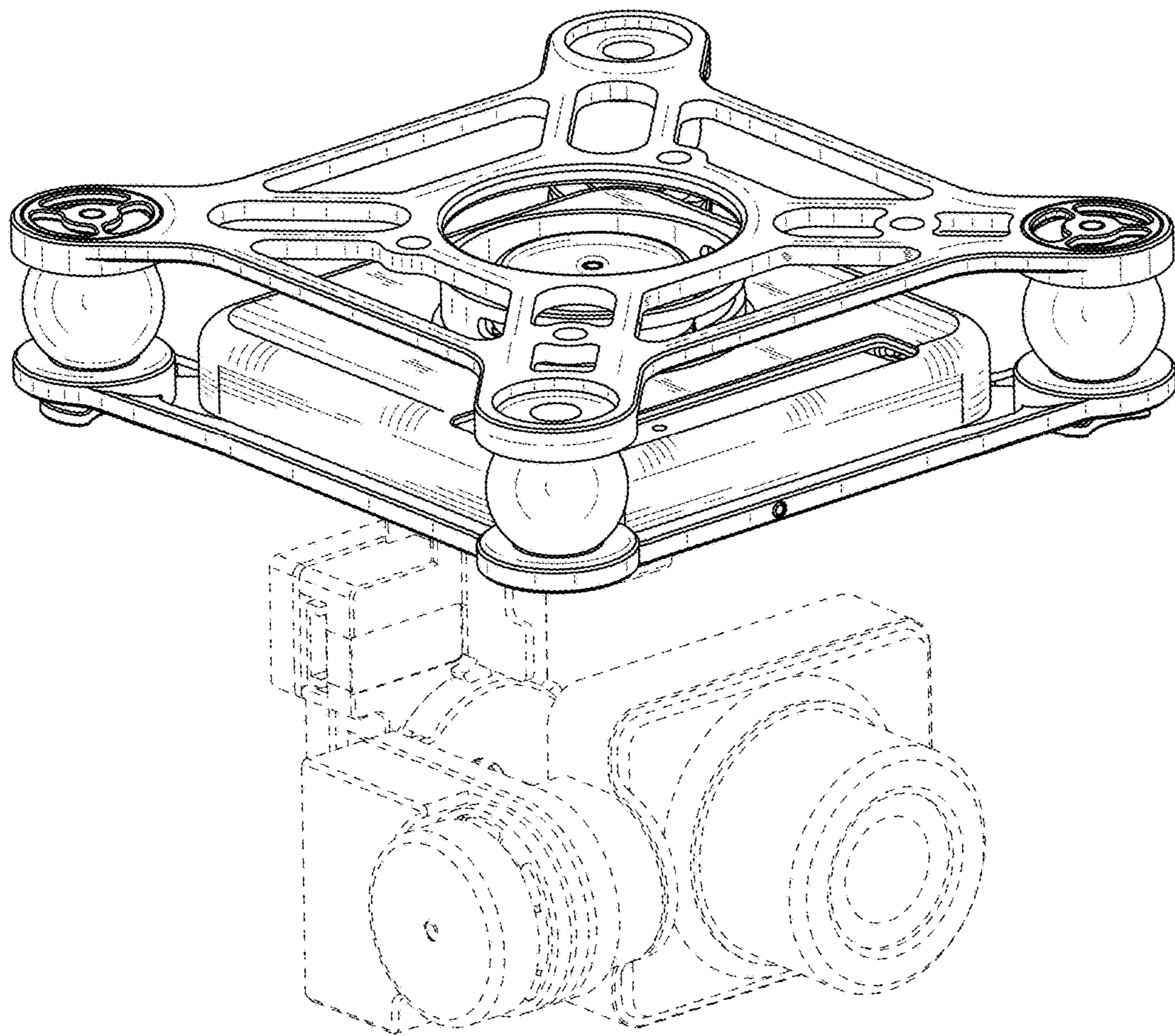


FIG. 1

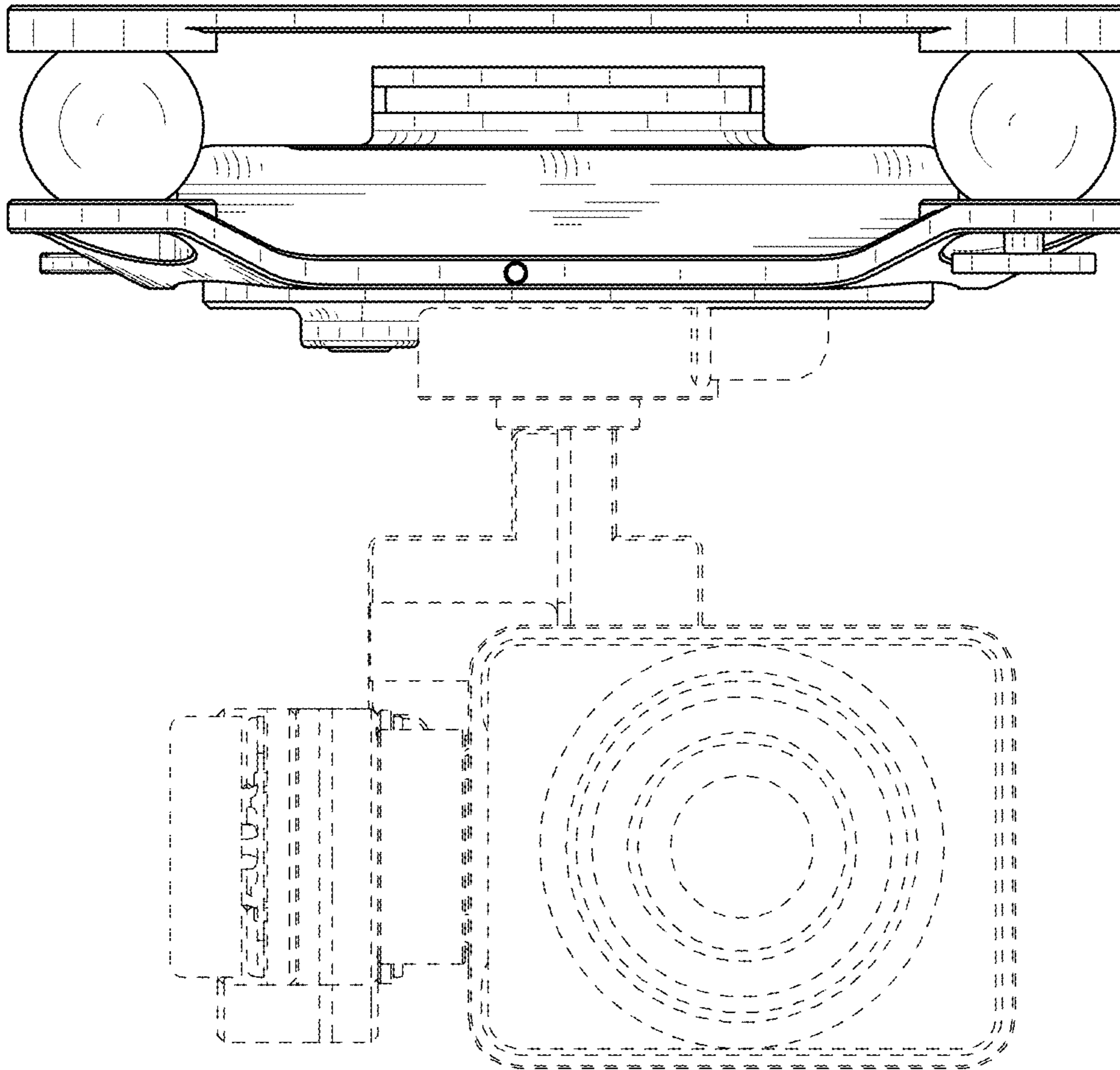


FIG. 2

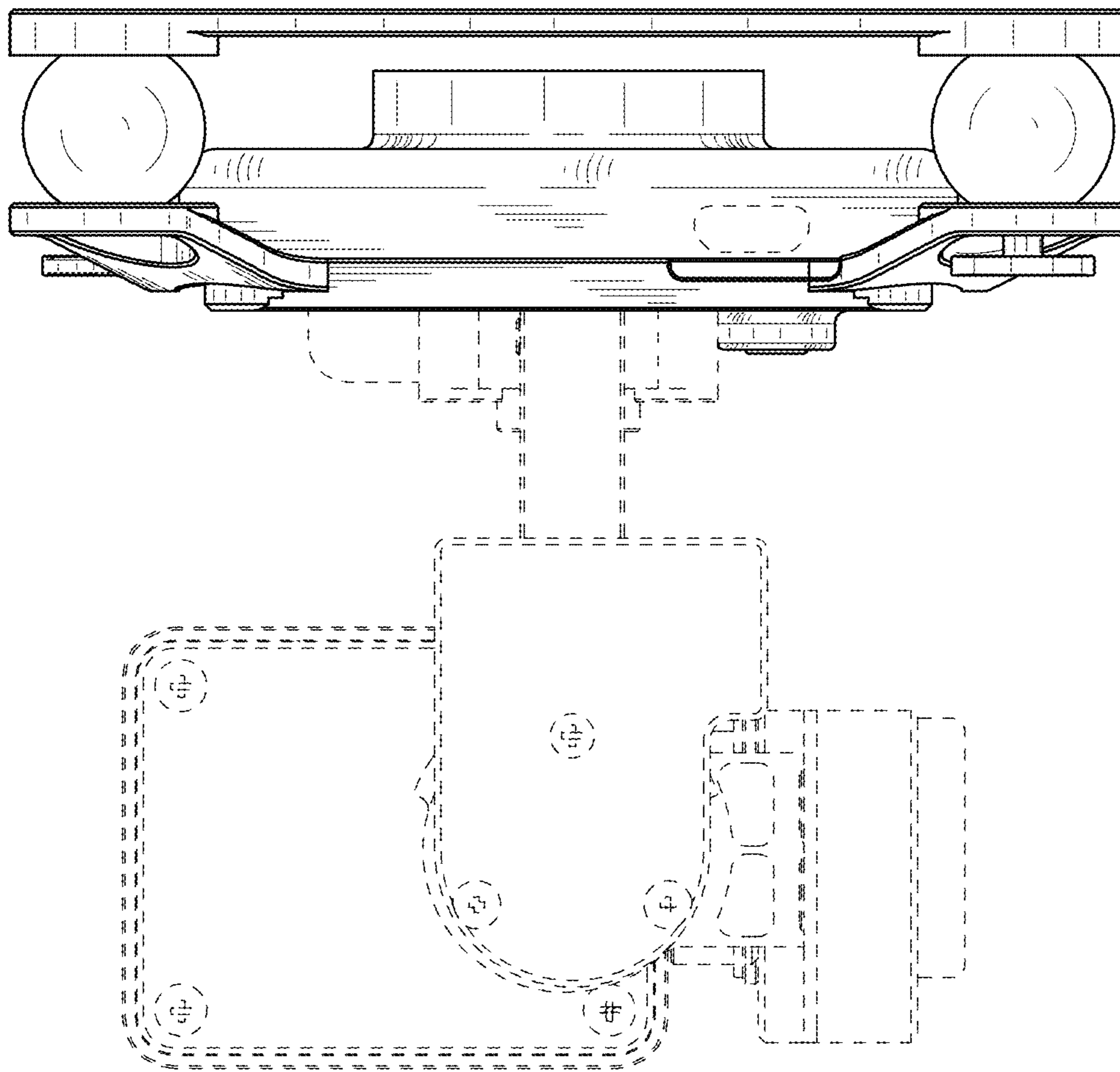


FIG. 3

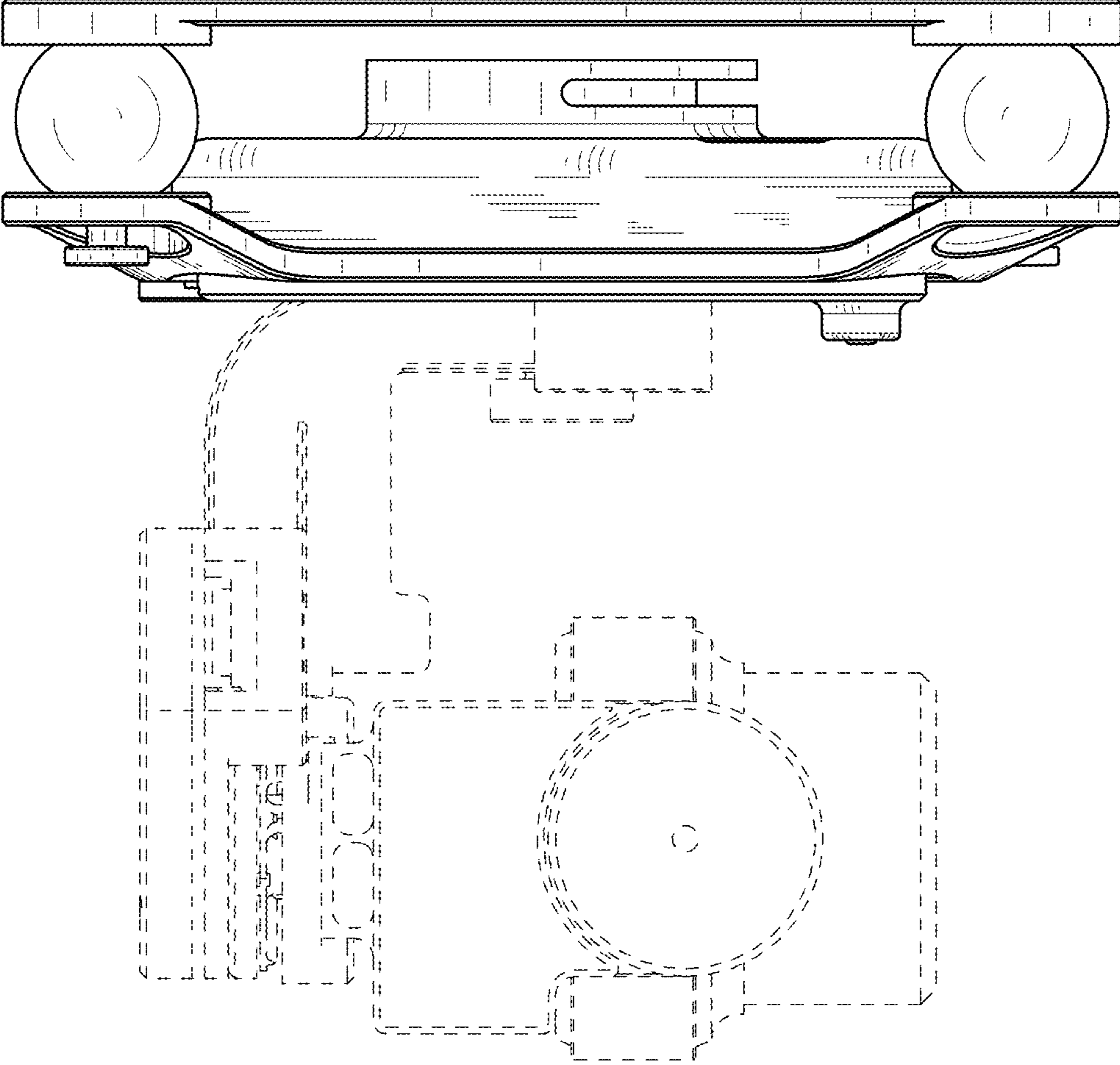


FIG. 4

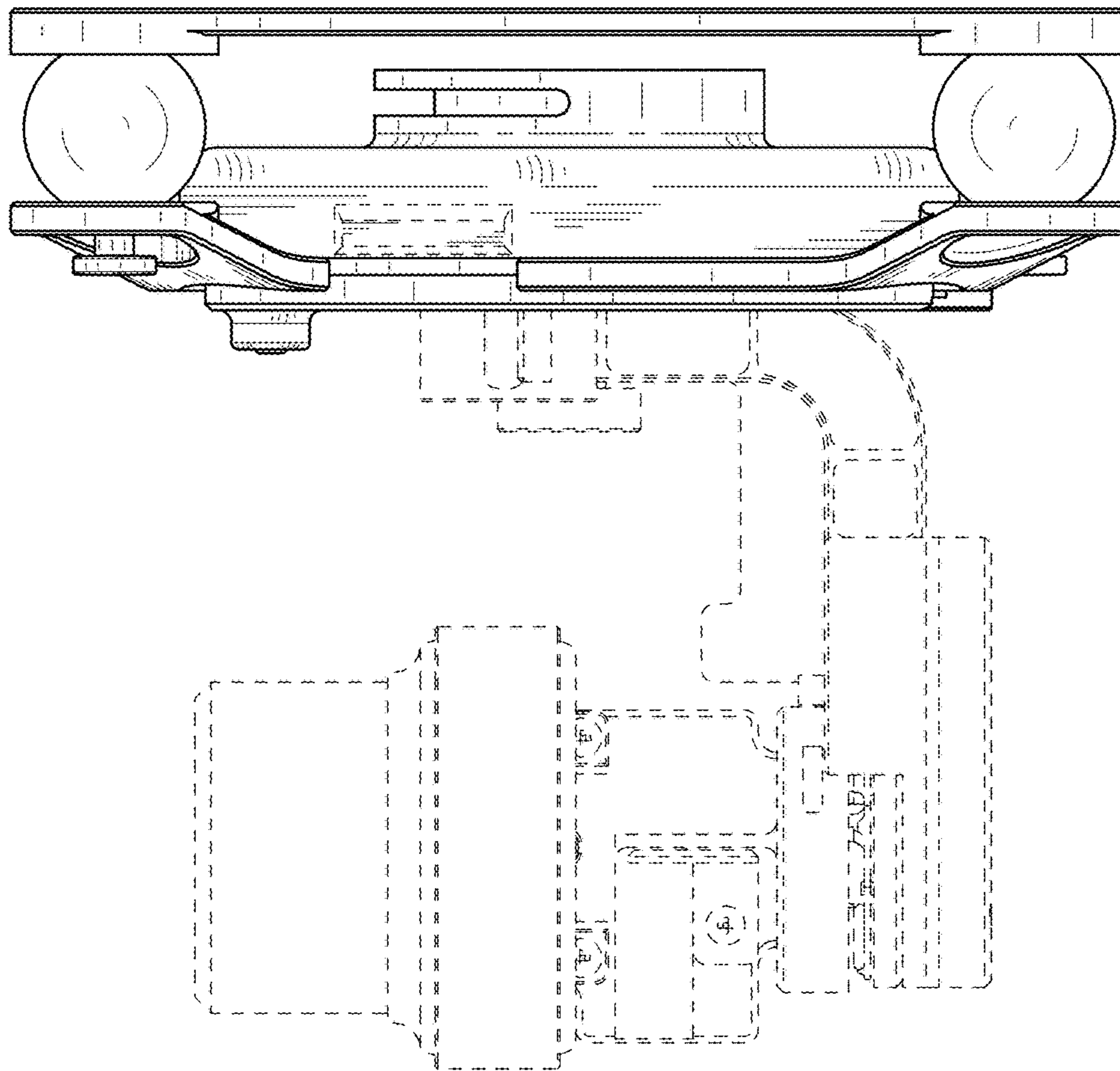


FIG. 5

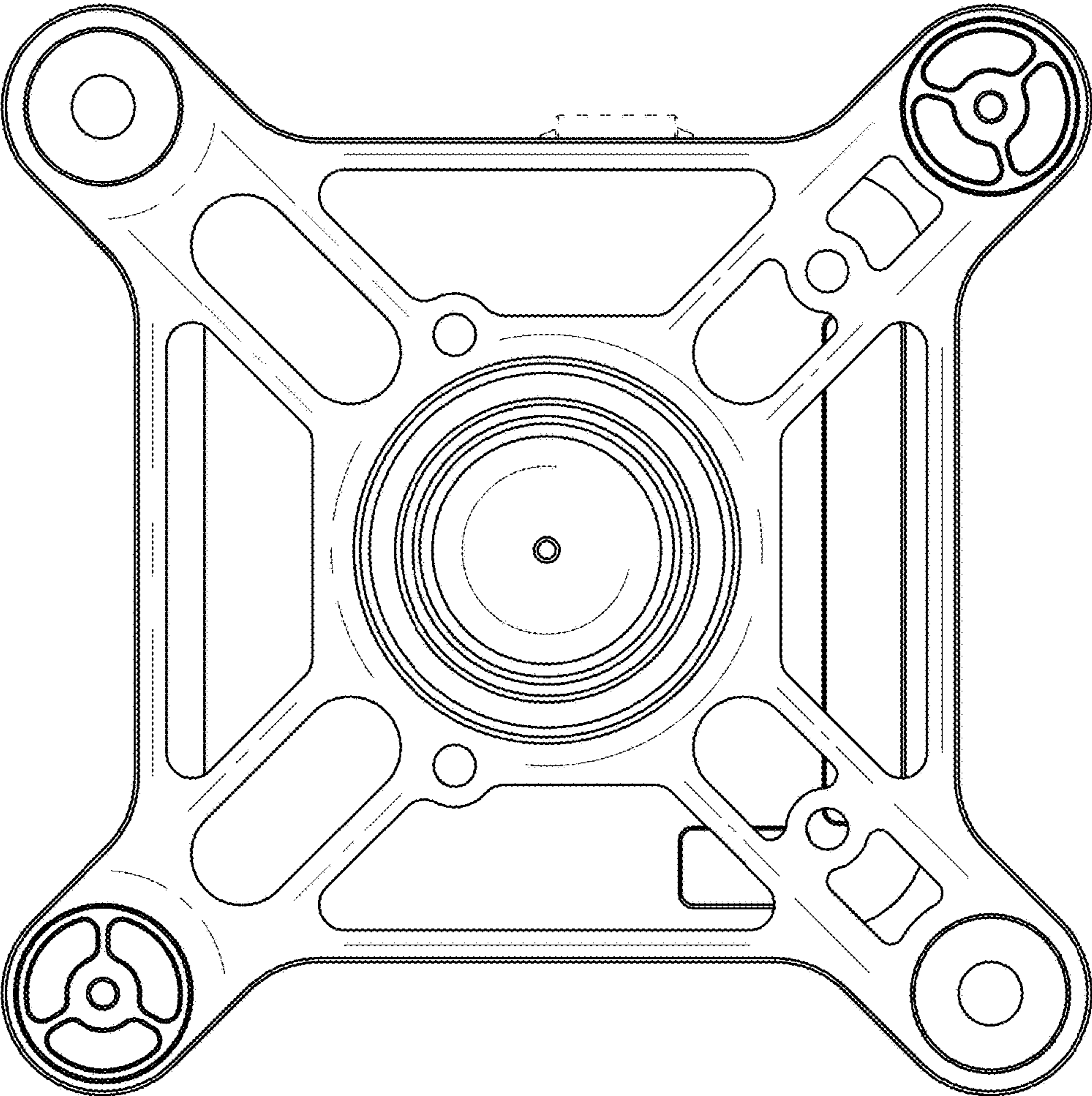


FIG. 6

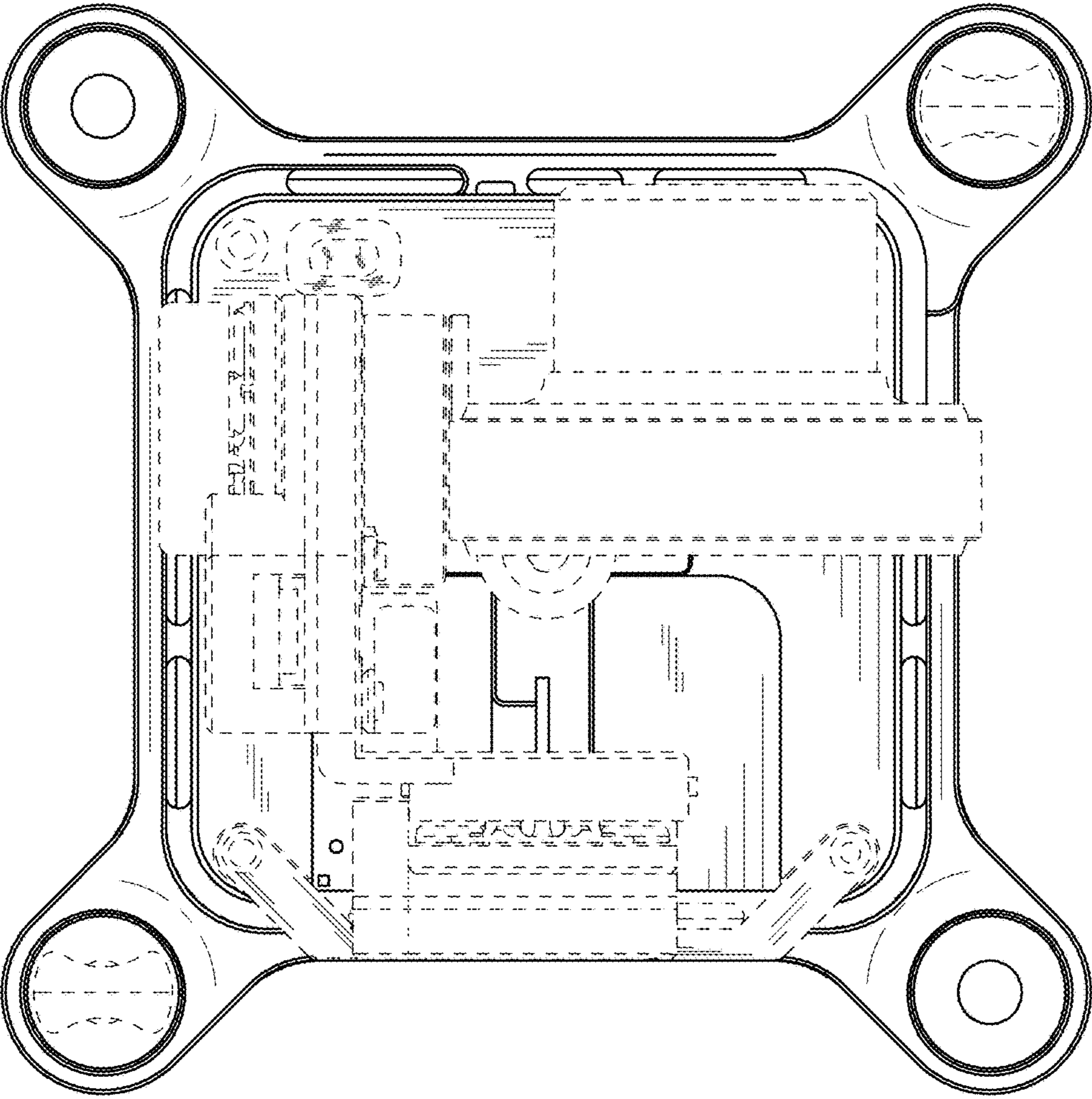


FIG. 7

UNITED STATES PATENT AND TRADEMARK OFFICE
CERTIFICATE OF CORRECTION

PATENT NO. : D785,698 S
APPLICATION NO. : 29/556333
DATED : May 2, 2017
INVENTOR(S) : Zhen Wang

Page 1 of 1

It is certified that error appears in the above-identified patent and that said Letters Patent is hereby corrected as shown below:

On the Title Page

In the "Description" item (57), immediately following "FIG. 7 is a bottom view thereof." add -- The broken lines in the figures show portions of the carrier and environment that form no part of the claimed design. --

Signed and Sealed this
Twenty-ninth Day of August, 2017



Joseph Matal
*Performing the Functions and Duties of the
Under Secretary of Commerce for Intellectual Property and
Director of the United States Patent and Trademark Office*