



US00D785697S

(12) **United States Design Patent**
Costa et al.

(10) **Patent No.:** **US D785,697 S**

(45) **Date of Patent:** **** May 2, 2017**

(54) **CAMERA HOUSING BALL MOUNT**

(71) Applicant: **GoPro, Inc.**, San Mateo, CA (US)

(72) Inventors: **Mark E. Costa**, Menlo Park, CA (US);
Huy Phuong Nguyen, San Mateo, CA (US)

(73) Assignee: **GoPro, Inc.**, San Mateo, CA (US)

(**) Term: **15 Years**

(21) Appl. No.: **29/549,864**

(22) Filed: **Dec. 29, 2015**

(51) **LOC (10) Cl.** **16-05**

(52) **U.S. Cl.**
USPC **D16/242**

(58) **Field of Classification Search**
USPC D16/200, 204, 219, 237–250; D14/251;
D8/313, 382, 383
CPC G03B 17/56; G03B 17/561–17/568; G02B
7/00–7/002

See application file for complete search history.

(56) **References Cited**

U.S. PATENT DOCUMENTS

D265,829	S	*	8/1982	Shimoda	D16/204
D657,808	S	*	4/2012	Woodman	D16/200
D684,569	S	*	6/2013	Willenborg	D14/253
D710,921	S	*	8/2014	Gioscia	D16/200
9,004,783	B1	*	4/2015	Woodman	F16M 11/00 396/419
D740,876	S	*	10/2015	Woodman	D16/200
D750,146	S	*	2/2016	Costa	D16/200
D763,941	S	*	8/2016	Smith	D16/200
D768,752	S	*	10/2016	Silver	D16/237
2007/0071423	A1	*	3/2007	Fantone	G03B 17/08 396/27

OTHER PUBLICATIONS

GoPro The Frame for HERO5 Black. [online] Published date unknown. Retrieved on Oct. 26, 2016 from <URL: https://www.bhphotovideo.com/c/product/1274422-REG/gopro_aafrm_001_frame_for_hero5.html>.*

The Frame. [online] Published date unknown. Retrieved on Oct. 24, 2016 from <URL: <http://shop.gopro.com/accessories-2/the-frame/ANDFR-302.html>>.*

* cited by examiner

Primary Examiner — Vy Koenig

Assistant Examiner — Omeed Agilee

(74) *Attorney, Agent, or Firm* — Fenwick & West LLP

(57) **CLAIM**

The ornamental design for a camera housing ball mount, as shown and described.

DESCRIPTION

FIG. 1 is a front, top, and left perspective view of a camera housing ball mount;

FIG. 2 is a rear, bottom, and right perspective view thereof;

FIG. 3 is a front, top, and right perspective view thereof;

FIG. 4 is a rear, bottom, and left perspective view thereof;

FIG. 5 is a front view thereof;

FIG. 6 is a rear view thereof;

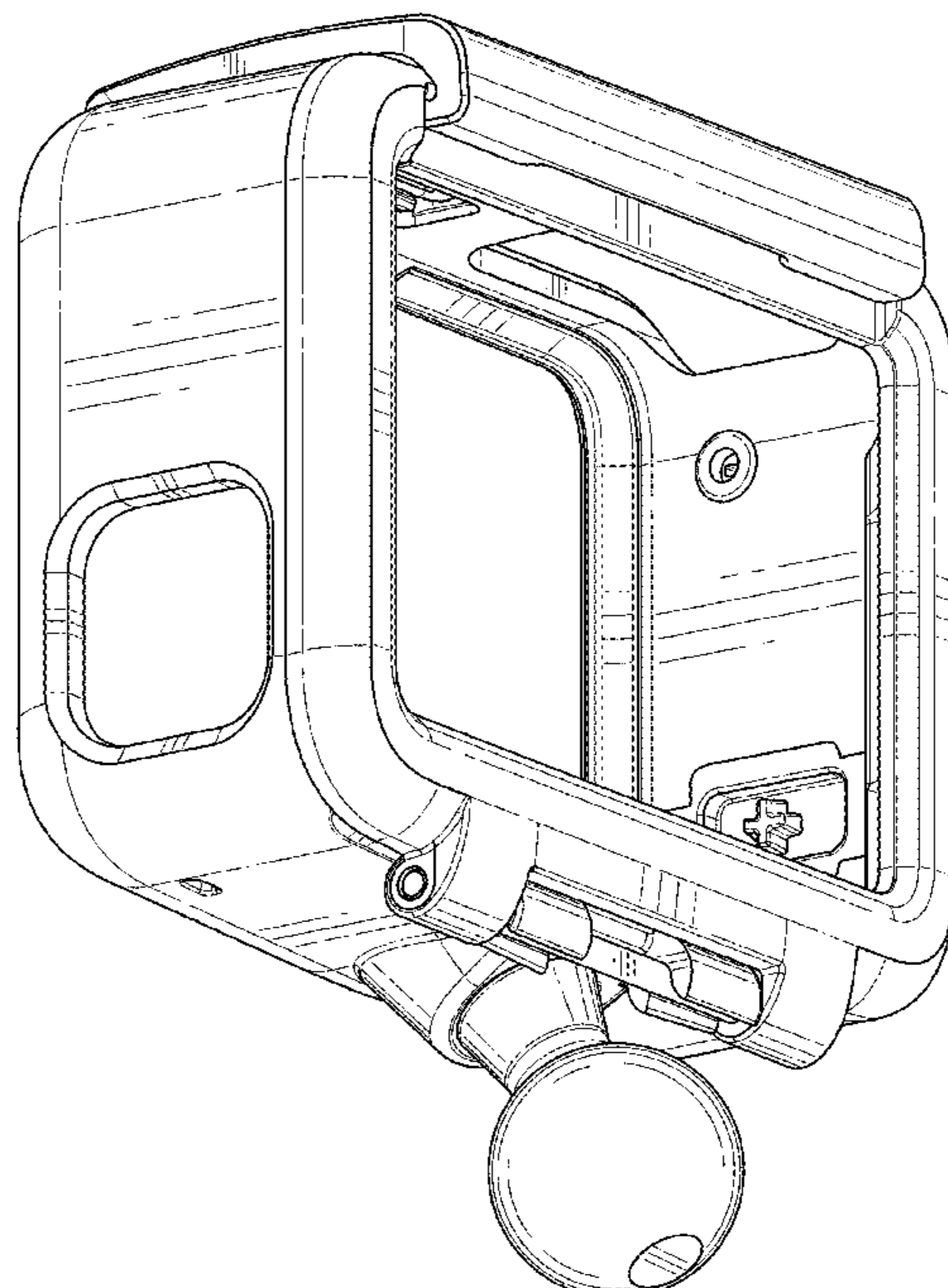
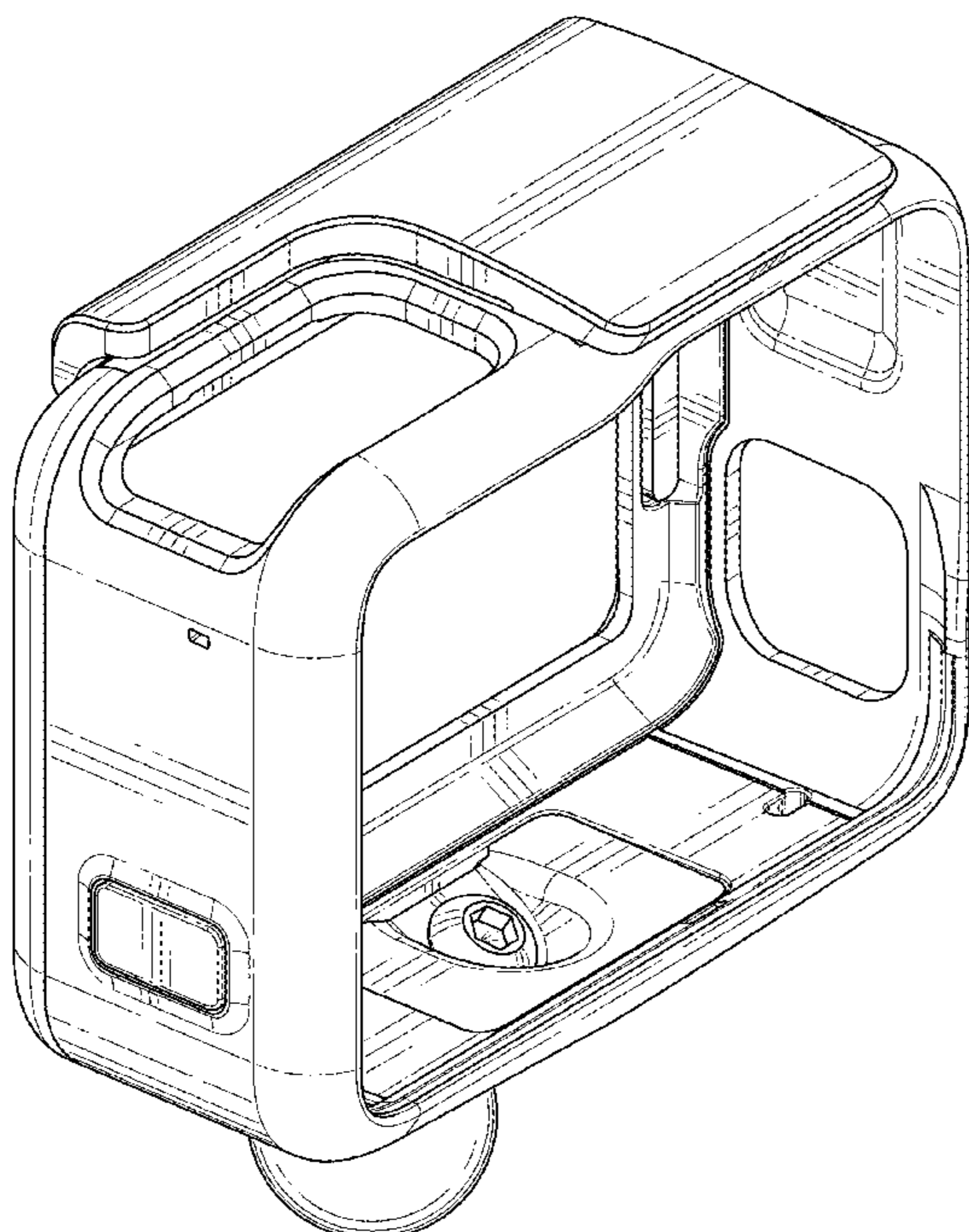
FIG. 7 is a left view thereof;

FIG. 8 is a right view thereof;

FIG. 9 is a top view thereof; and,

FIG. 10 is a bottom view thereof.

1 Claim, 10 Drawing Sheets



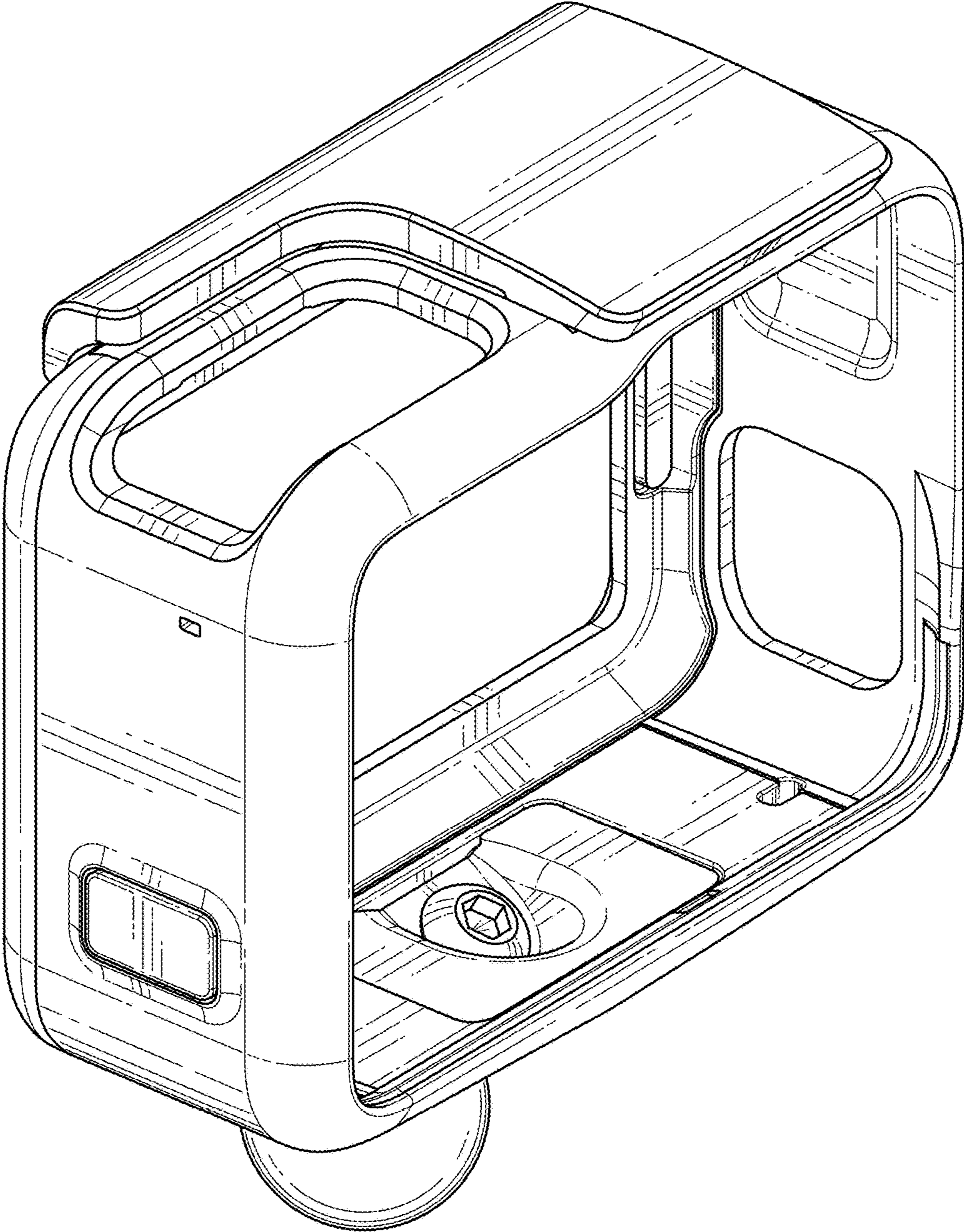


FIG. 1

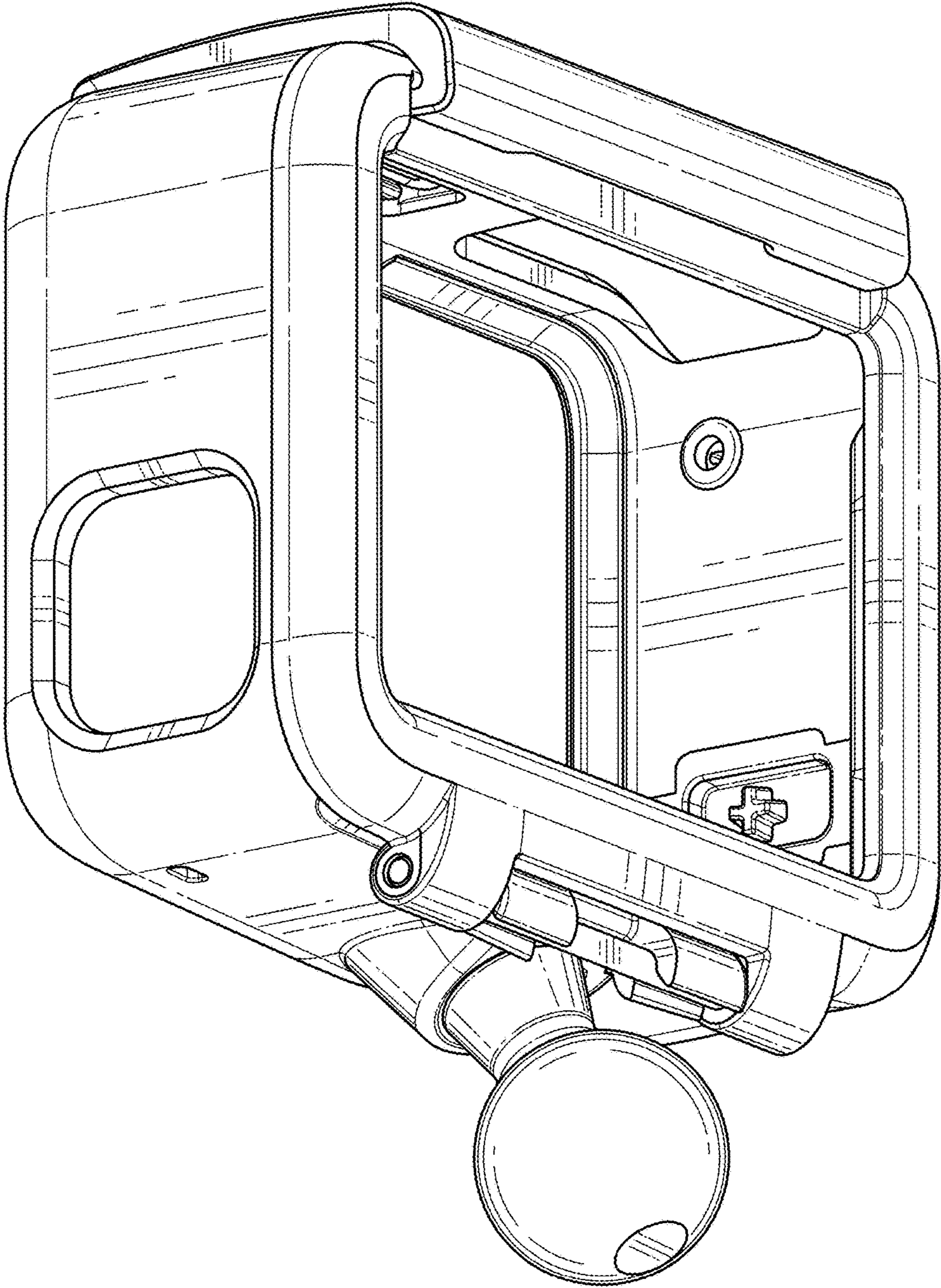


FIG. 2

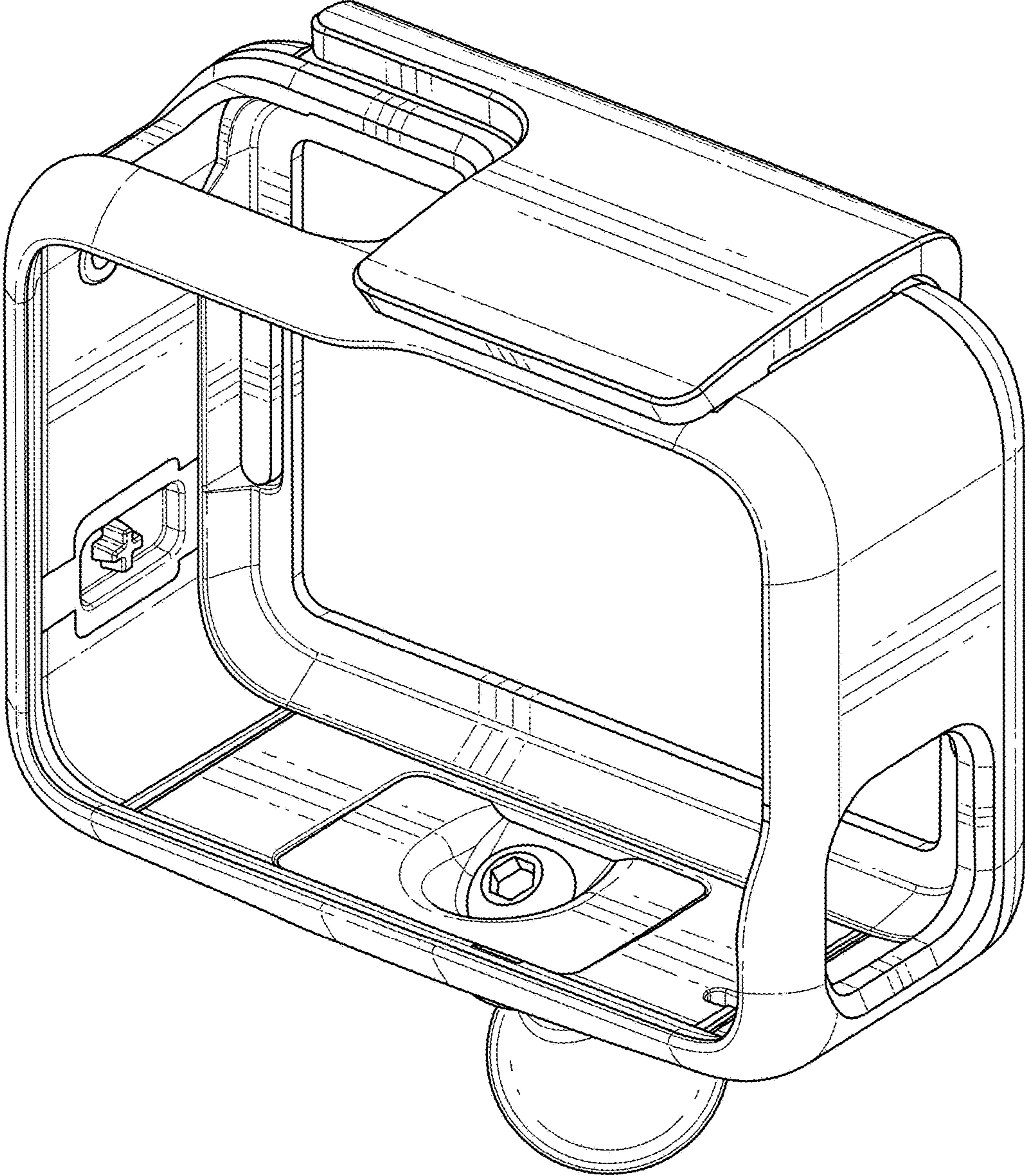


FIG. 3

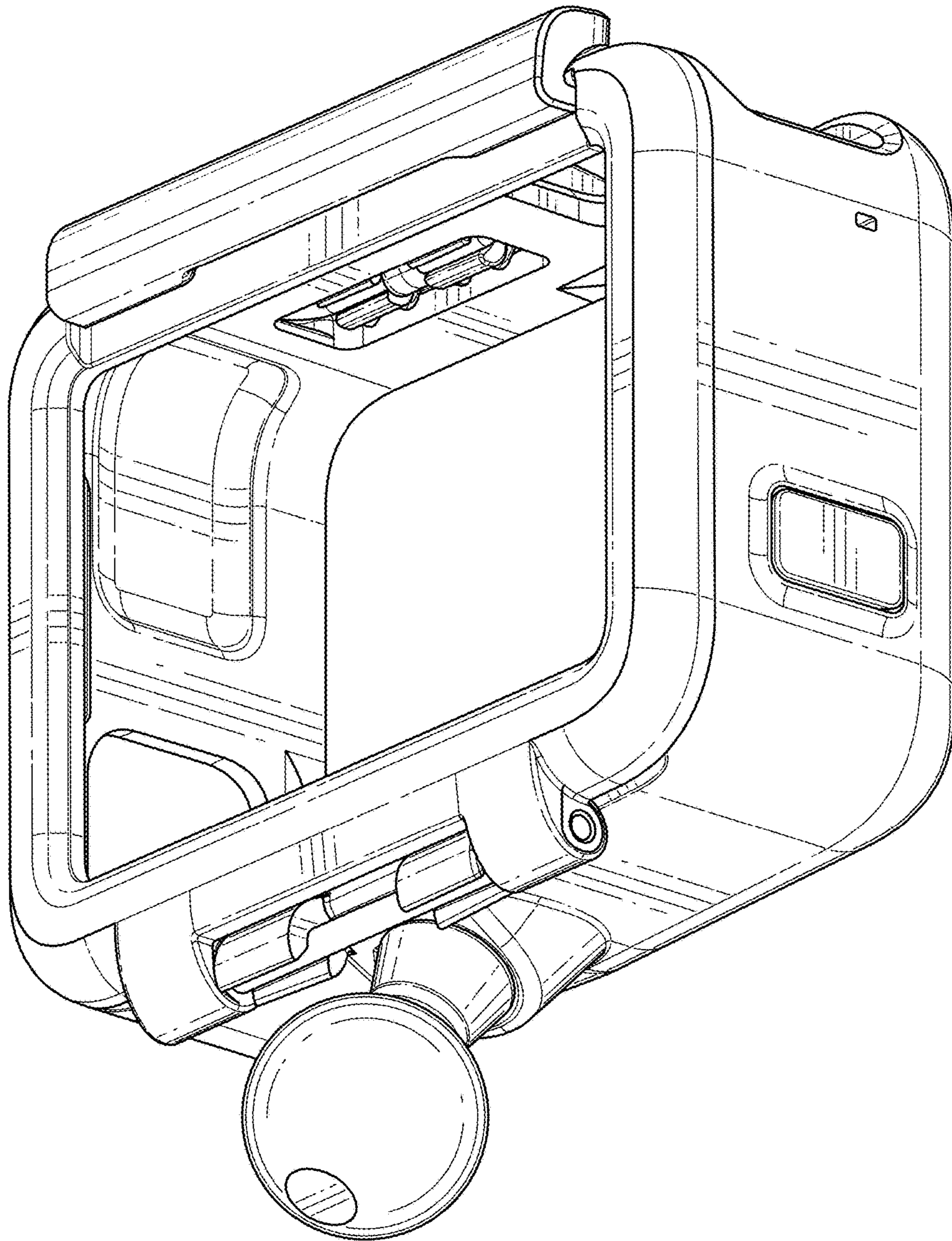


FIG. 4

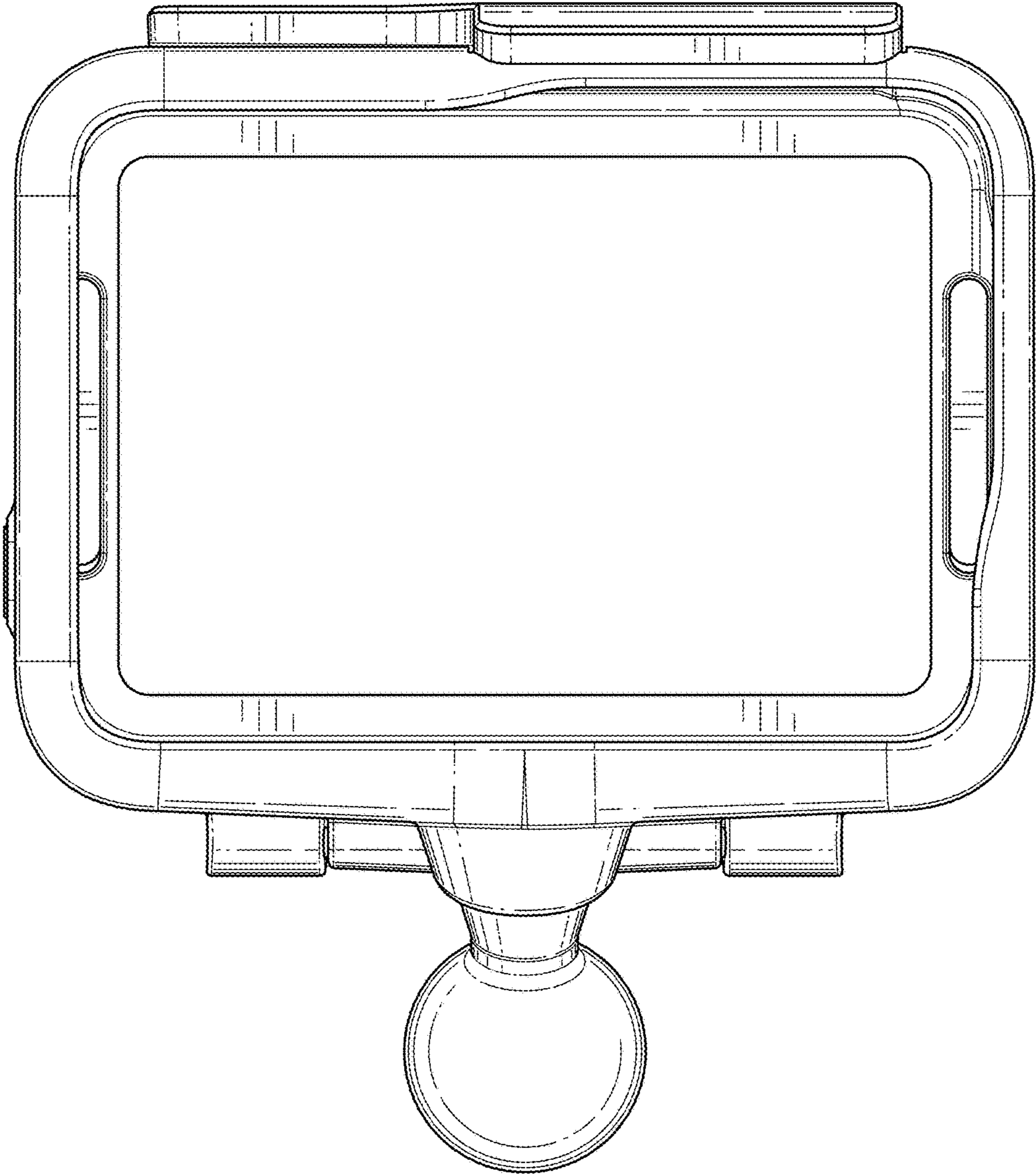


FIG. 5

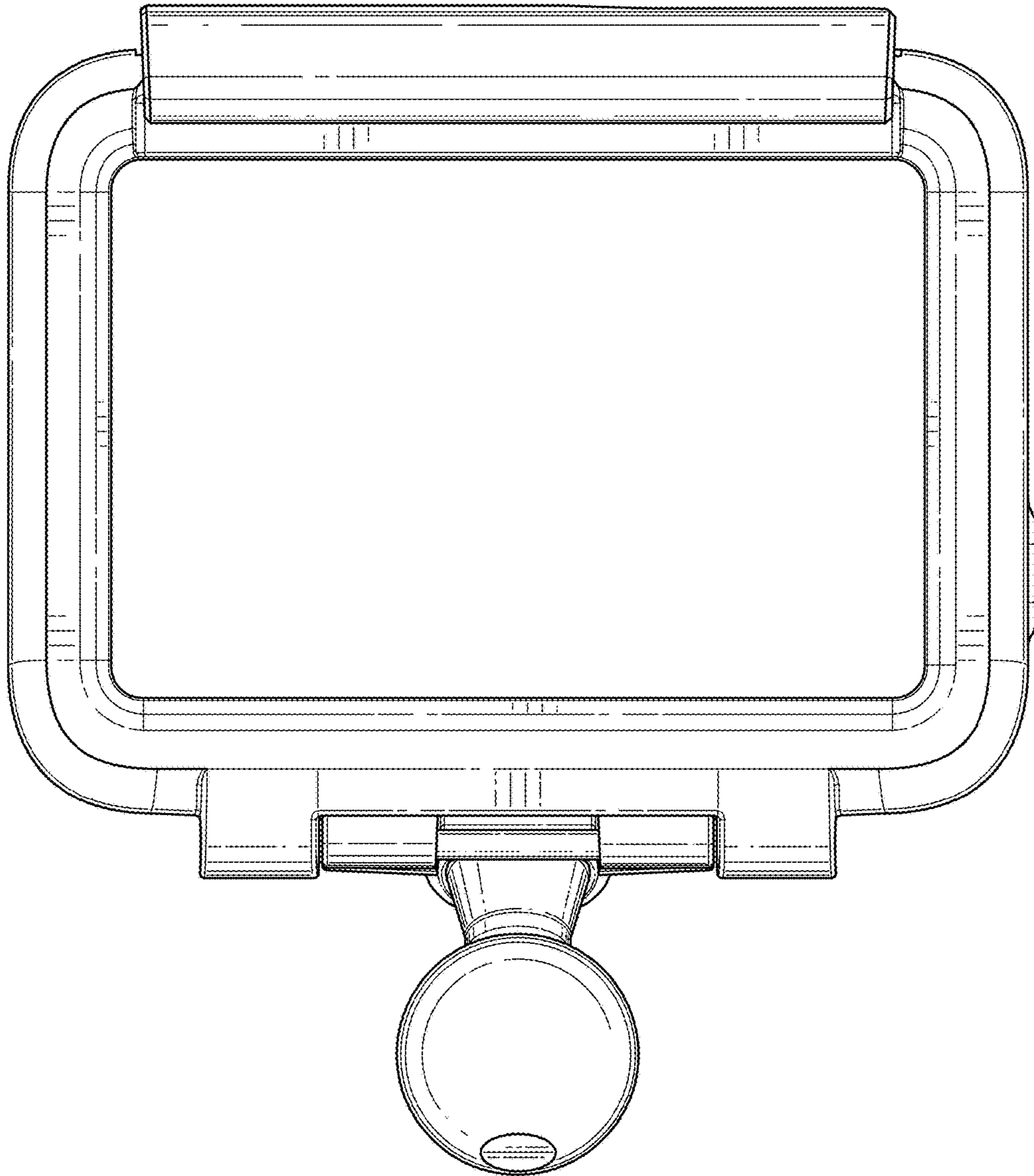


FIG. 6

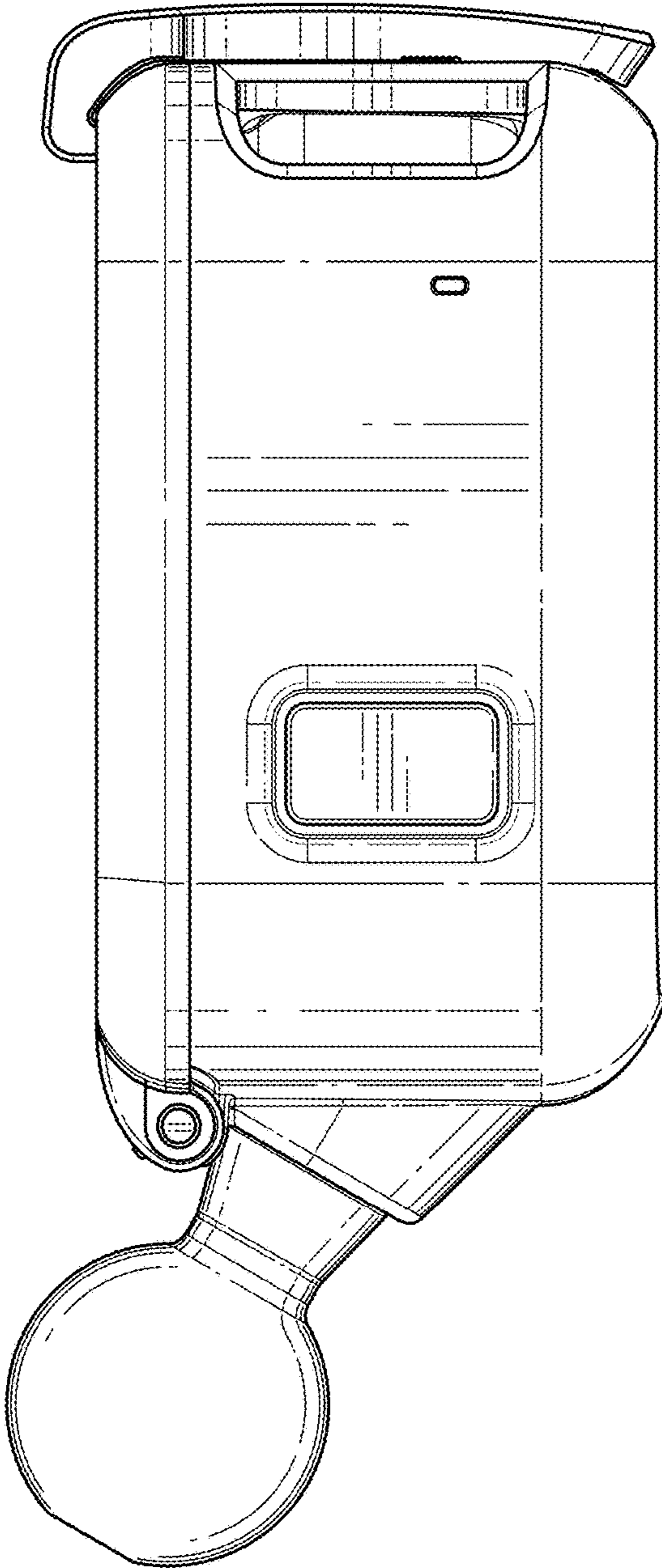


FIG. 7

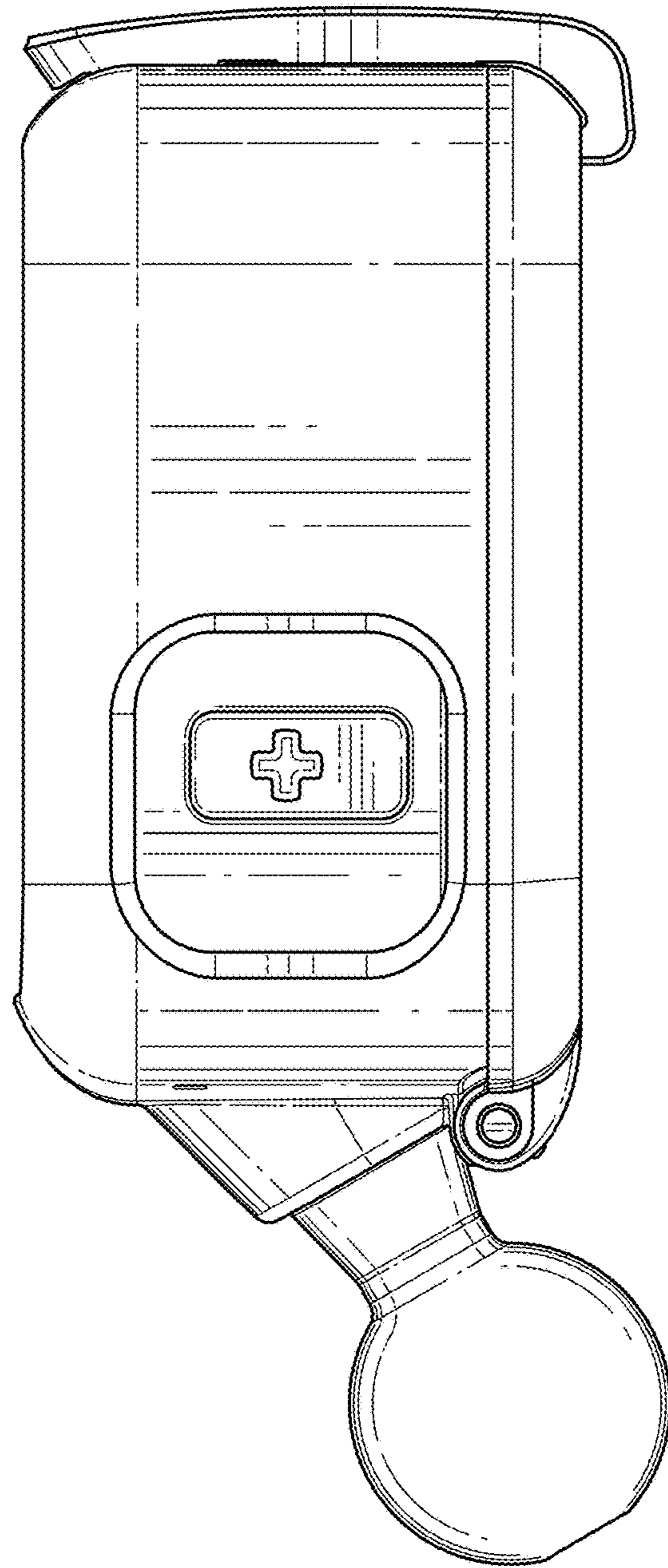


FIG. 8

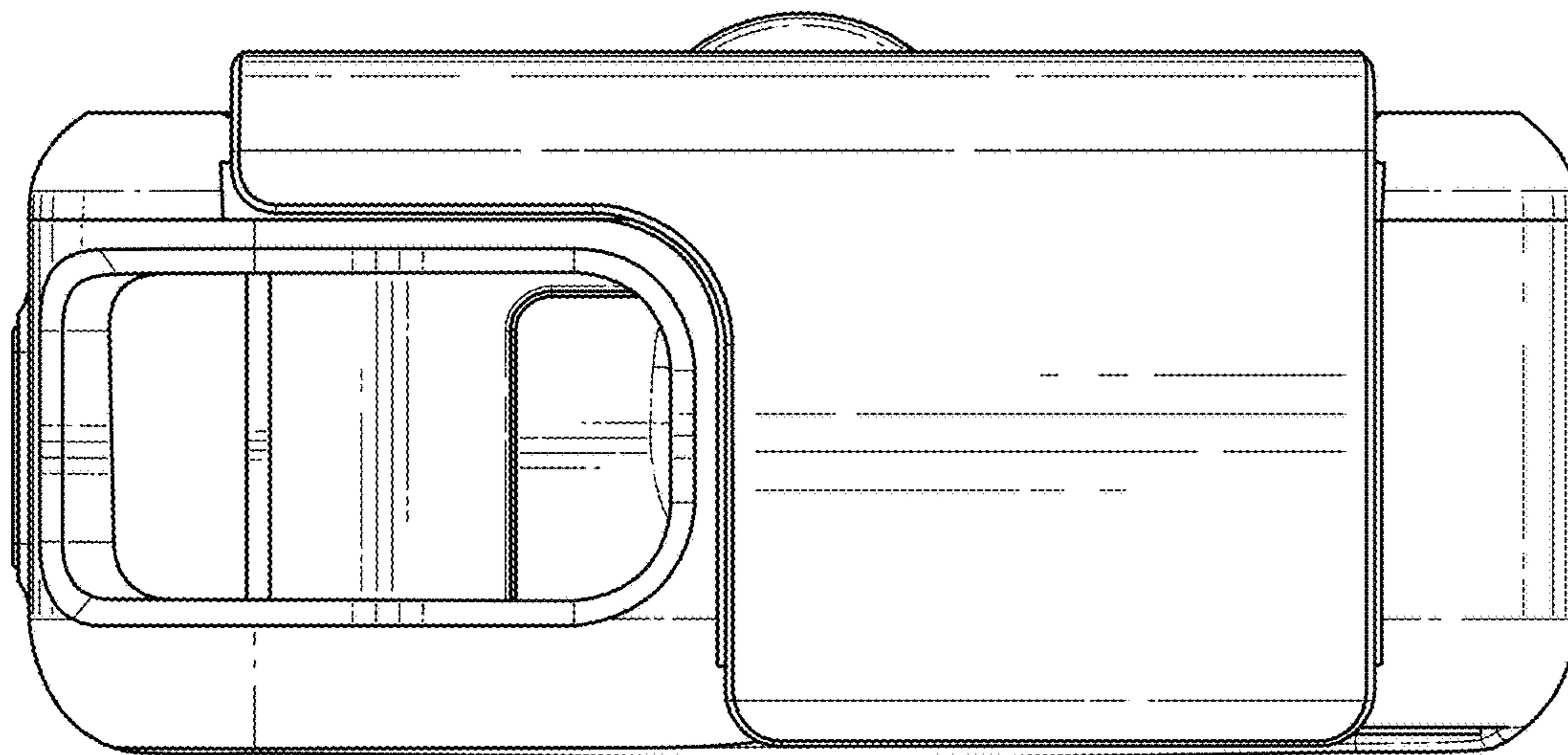


FIG. 9

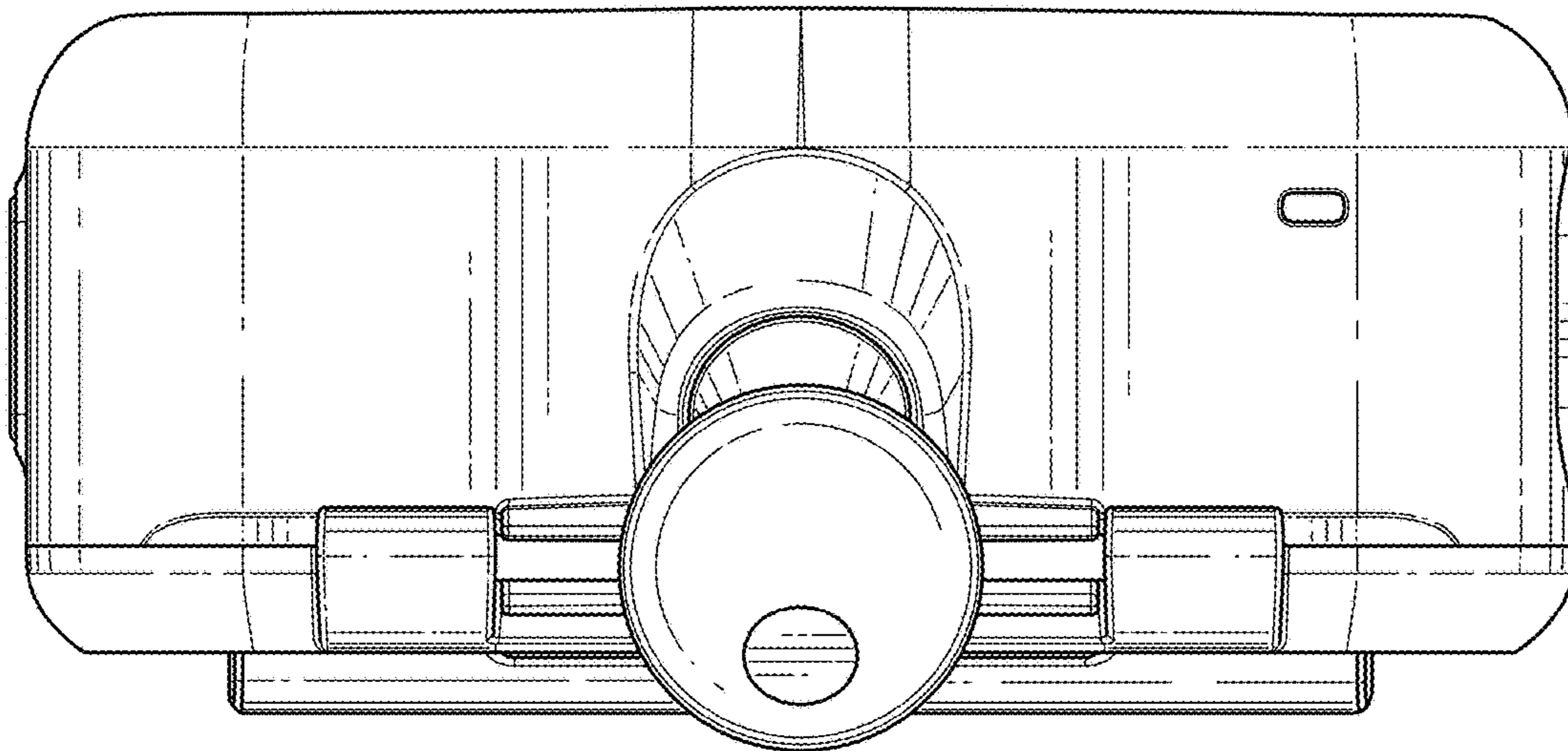


FIG. 10