



US00D785696S

(12) **United States Design Patent**  
**Parfitt et al.**

(10) **Patent No.:** **US D785,696 S**

(45) **Date of Patent:** **\*\* May 2, 2017**

(54) **CAMERA FRAME**

- (71) Applicant: **GoPro, Inc.**, San Mateo, CA (US)
- (72) Inventors: **Benjamin Parfitt**, Mountain View, CA (US); **Derek Yap**, San Carlos, CA (US)
- (73) Assignee: **GoPro, Inc.**, San Mateo, CA (US)
- (\*\*) Term: **15 Years**
- (21) Appl. No.: **29/549,862**
- (22) Filed: **Dec. 29, 2015**
- (51) **LOC (10) Cl.** ..... **16-05**
- (52) **U.S. Cl.**  
USPC ..... **D16/242**
- (58) **Field of Classification Search**  
USPC ..... D16/200, 204, 219, 237-250; D14/251, D14/434  
CPC ..... G03B 17/56; G03B 17/561-17/568; G02B 7/00-7/002  
See application file for complete search history.

(56) **References Cited**

**U.S. PATENT DOCUMENTS**

D265,829 S *	8/1982	Shimoda	.....	D16/204
D657,808 S *	4/2012	Woodman	.....	D16/200
D684,569 S *	6/2013	Willenborg	.....	D14/253
D710,921 S *	8/2014	Gioscia	.....	D16/200
D724,637 S *	3/2015	Samuels	.....	D16/200
9,004,783 B1 *	4/2015	Woodman	.....	F16M 11/00 396/419
D740,876 S *	10/2015	Woodman	.....	D16/200
D749,164 S *	2/2016	Raccah	.....	D16/242
D750,146 S *	2/2016	Costa	.....	D16/200
D763,941 S *	8/2016	Smith	.....	D16/200
D768,752 S *	10/2016	Silver	.....	D16/237

**OTHER PUBLICATIONS**

GoPro The Frame for HERO5 Black. [online] Published date unknown. Retrieved on Oct. 26, 2016 from <URL: [https://www.bhphotovideo.com/c/product/1274422-REG/gopro\\_aafrm\\_001\\_frame\\_for\\_hero5.html](https://www.bhphotovideo.com/c/product/1274422-REG/gopro_aafrm_001_frame_for_hero5.html)>.\*  
 The Frame. [online] Published date unknown. Retrieved on Oct. 24, 2016 from <URL: <http://shop.gopro.com/accessories-2/the-frame/ANDFR-302.html>>.\*

\* cited by examiner

*Primary Examiner* — Vy Koenig

*Assistant Examiner* — Omeed Agilee

(74) *Attorney, Agent, or Firm* — Fenwick & West LLP

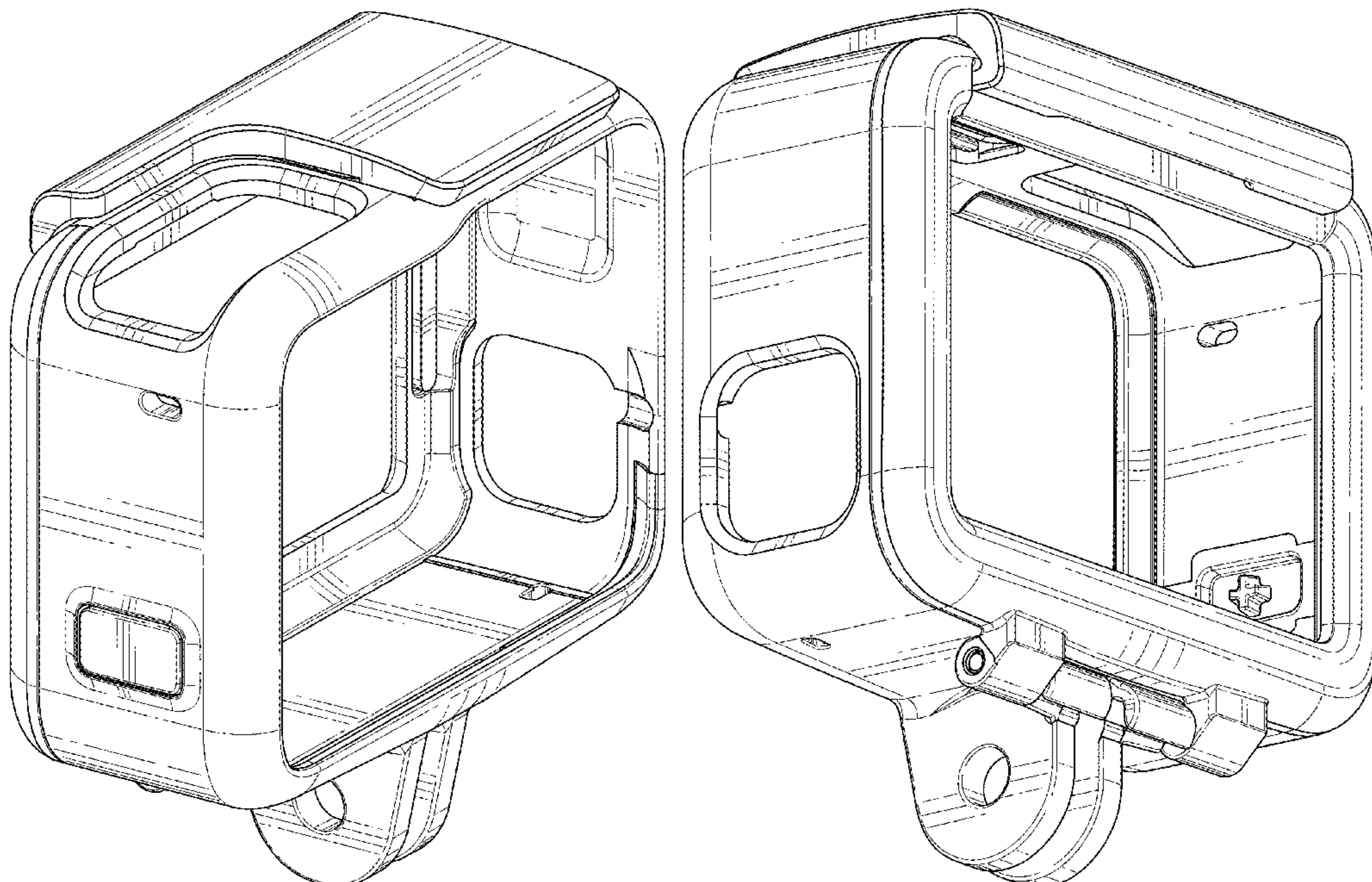
(57) **CLAIM**

The ornamental design for a camera frame, as shown and described.

**DESCRIPTION**

FIG. 1 is a front, left, and top perspective view of a camera frame;  
 FIG. 2 is a rear, right, and bottom perspective view thereof;  
 FIG. 3 is a front, right, and top perspective view thereof;  
 FIG. 4 is a rear, left, and bottom perspective view thereof;  
 FIG. 5 is a front plan view thereof;  
 FIG. 6 is a rear view thereof;  
 FIG. 7 is a left view thereof;  
 FIG. 8 is a right view thereof;  
 FIG. 9 is a top view thereof; and,  
 FIG. 10 is a bottom view thereof.

**1 Claim, 10 Drawing Sheets**



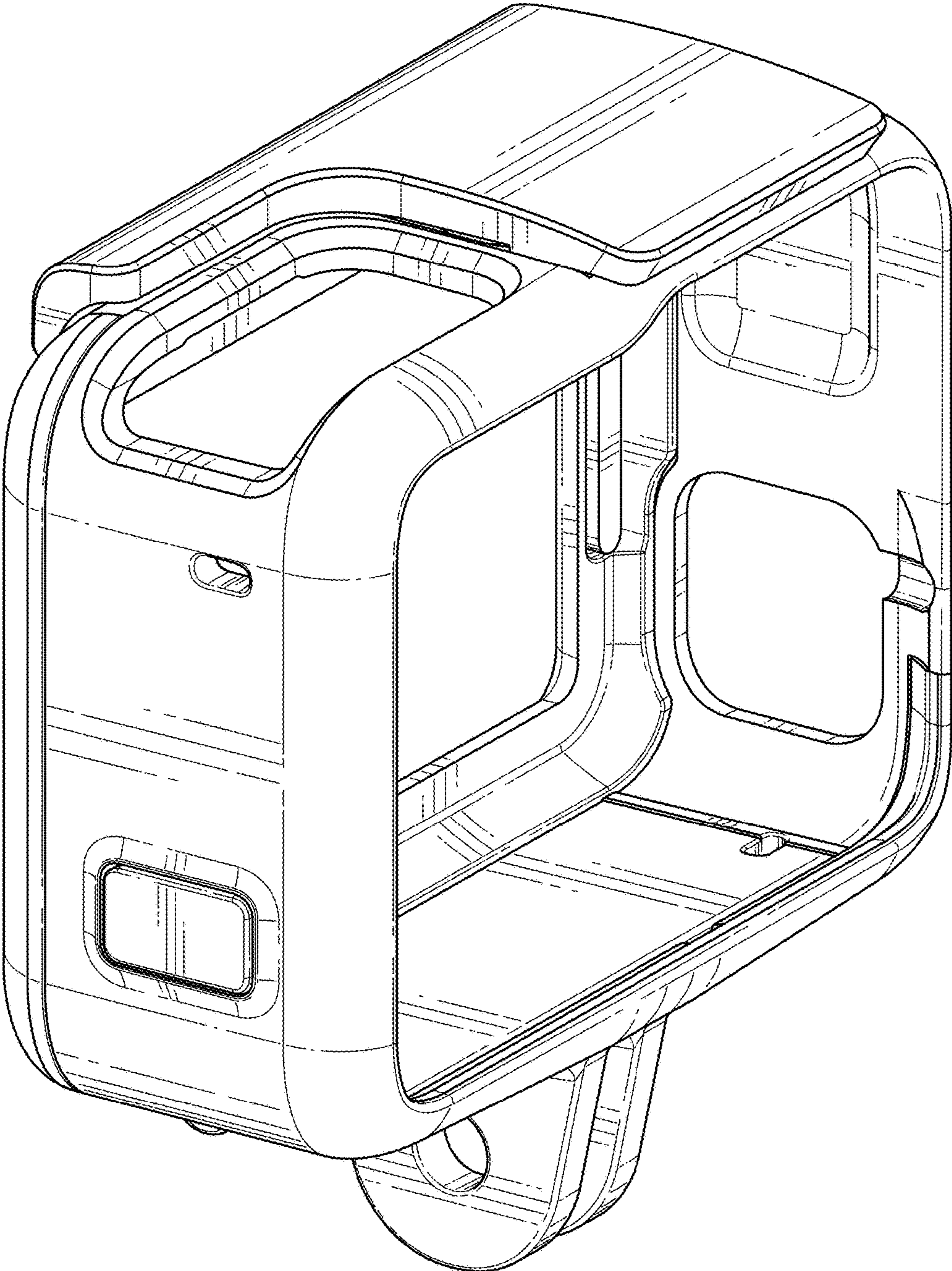


FIG. 1



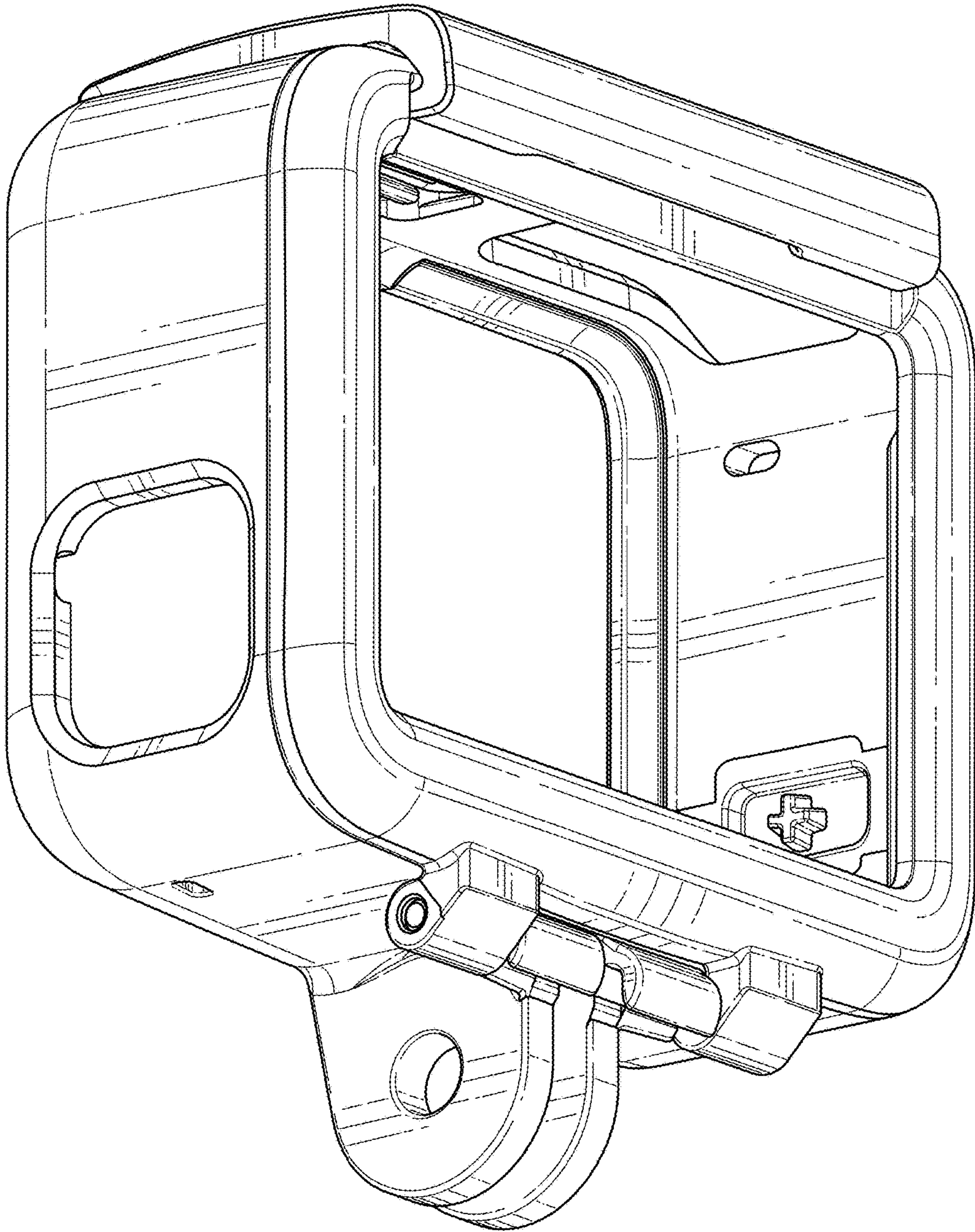


FIG. 2

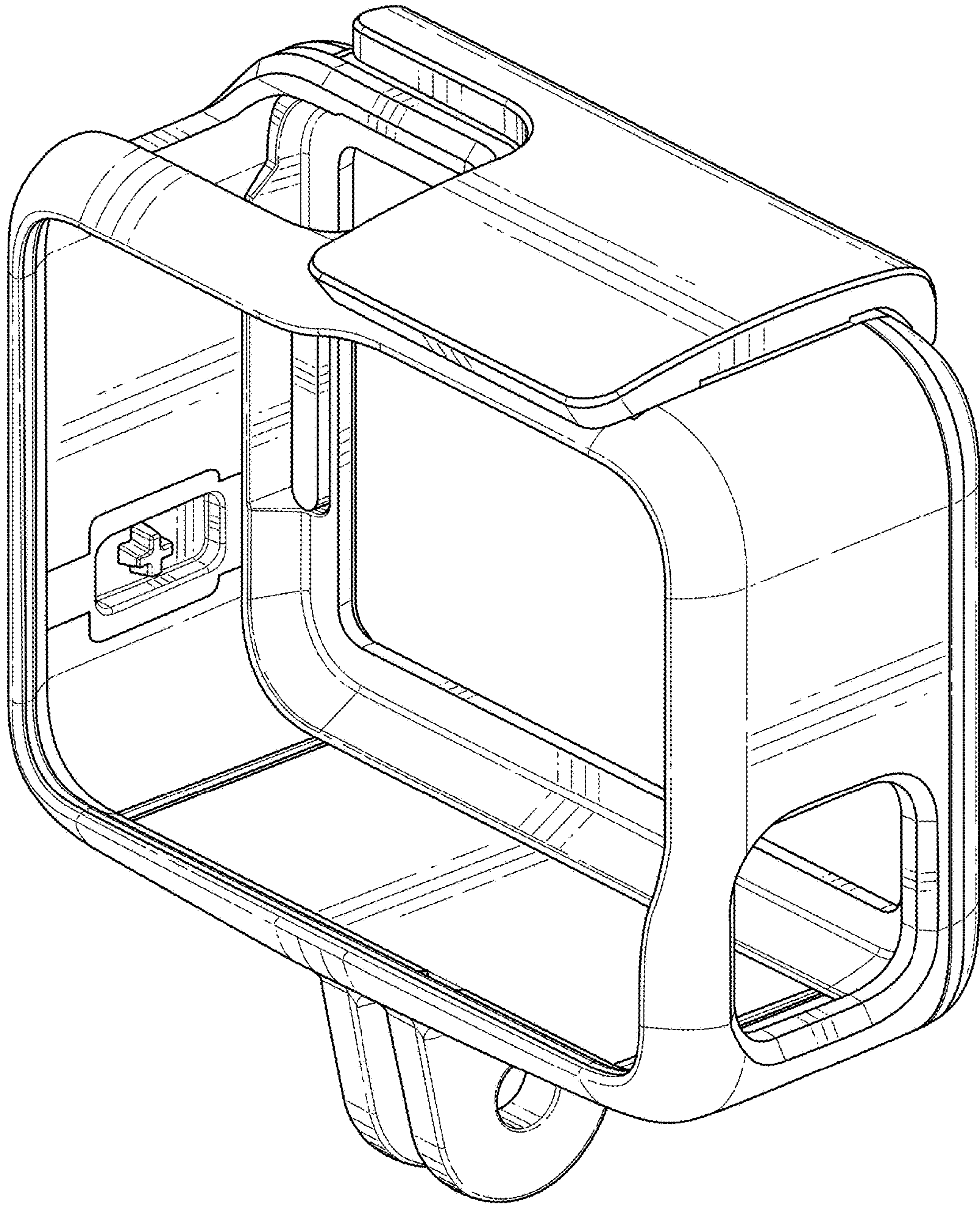


FIG. 3



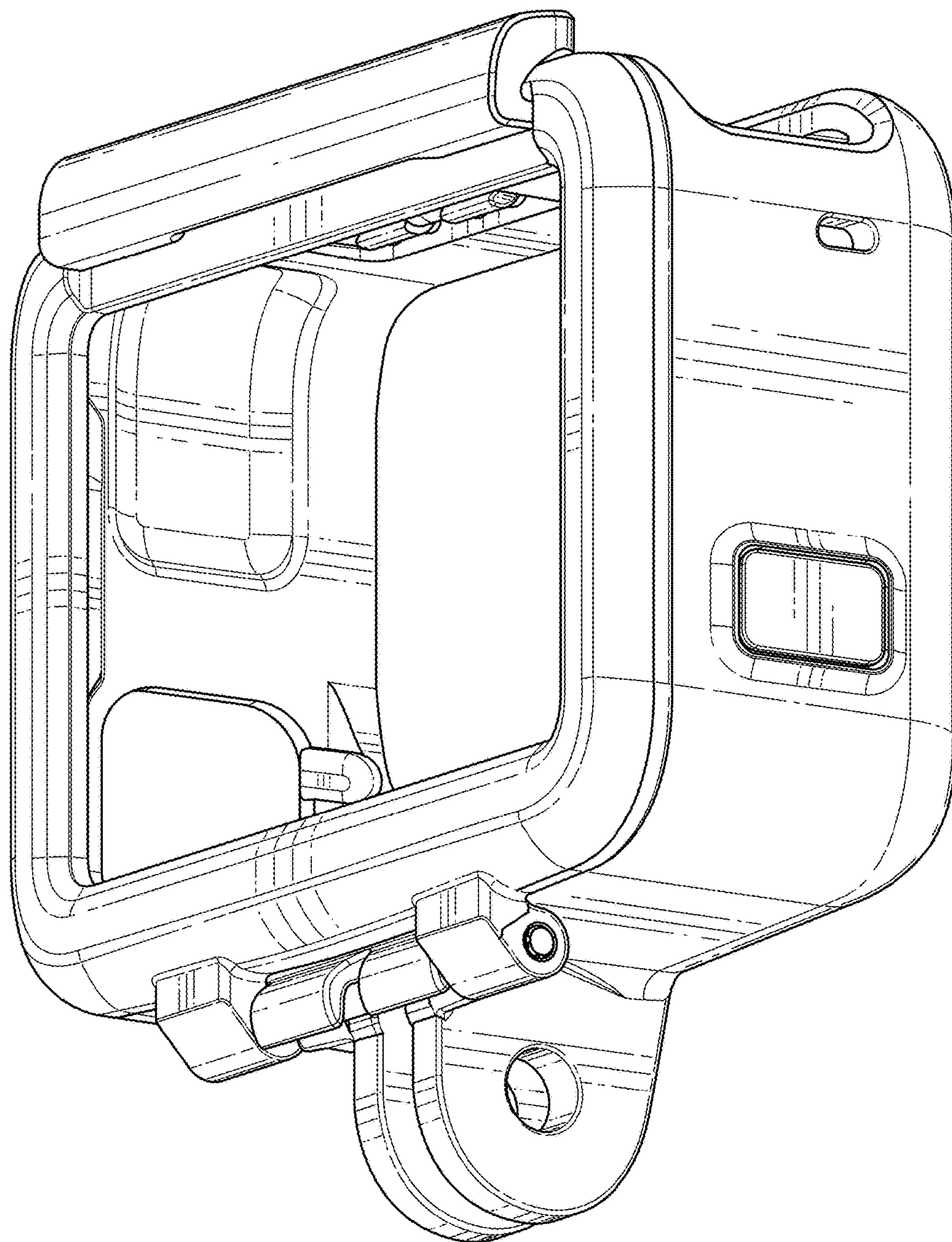


FIG. 4

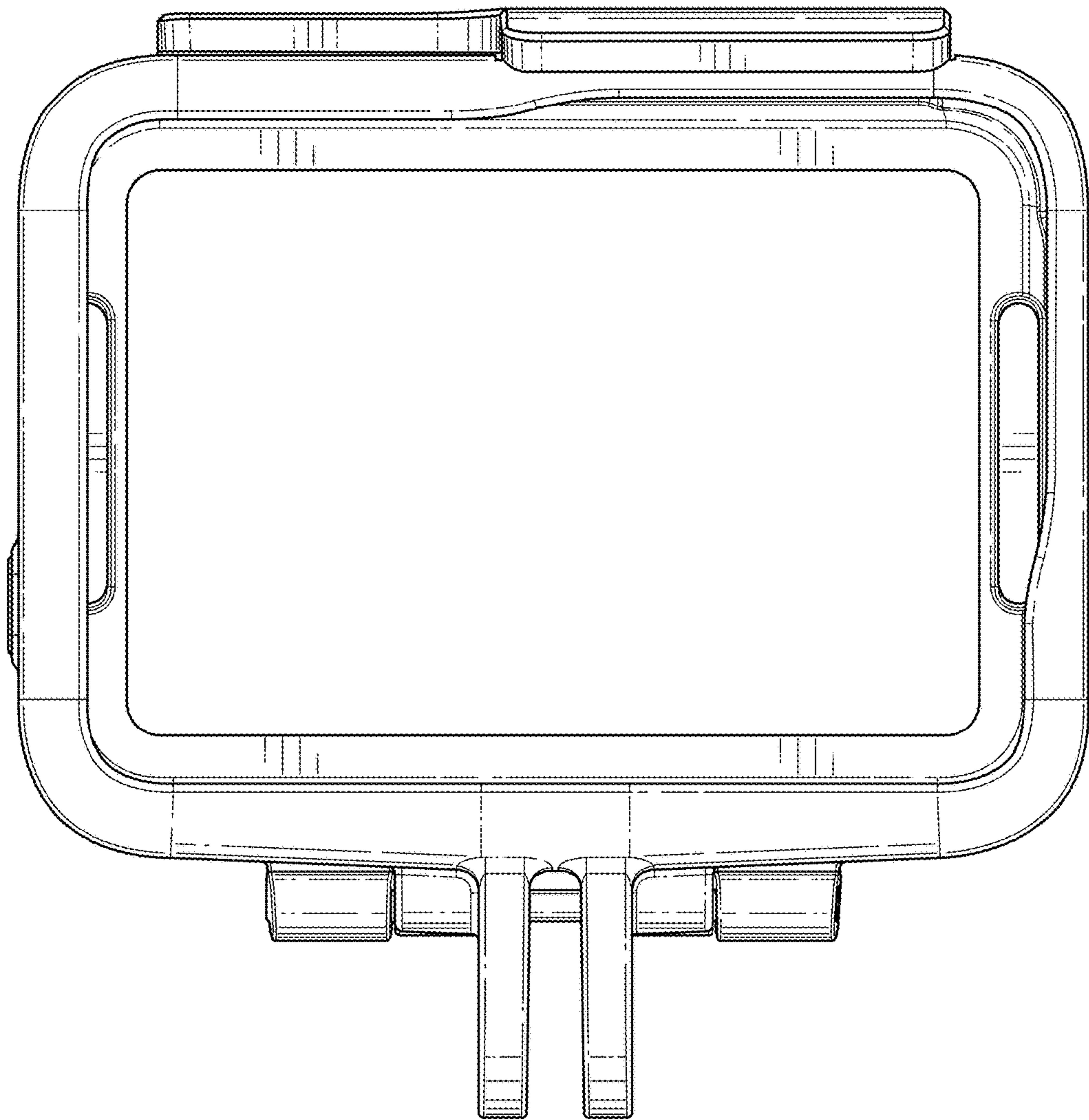


FIG. 5

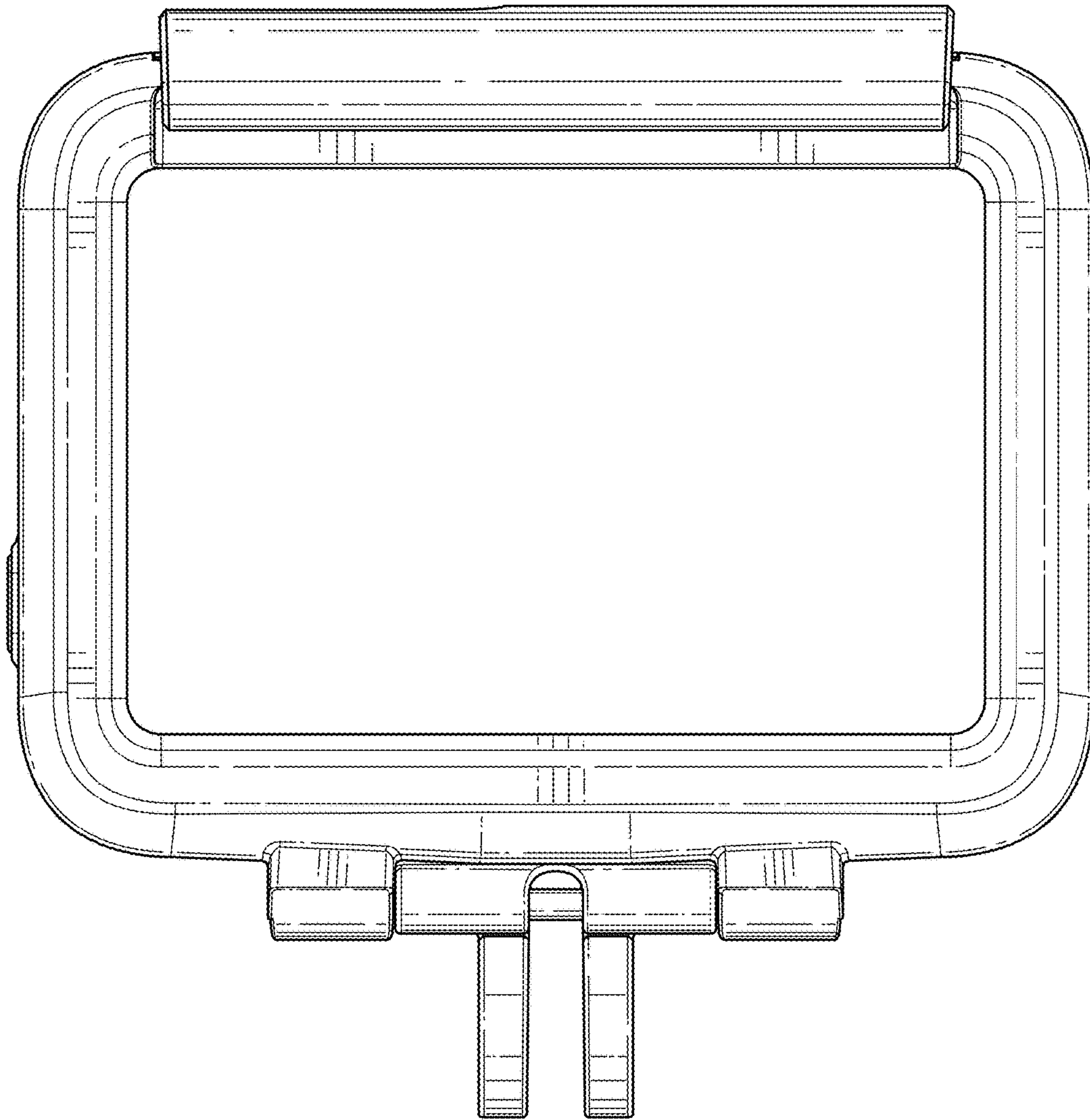


FIG. 6

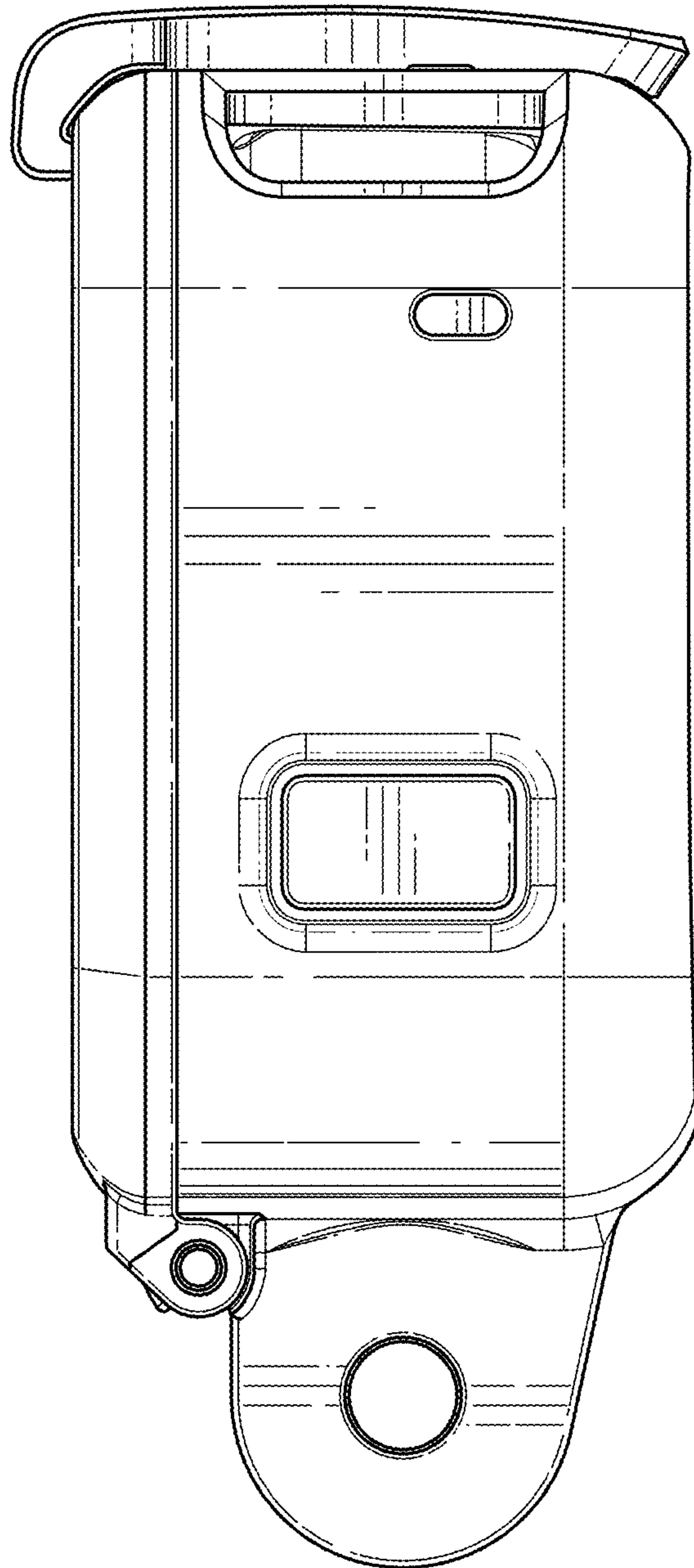


FIG. 7



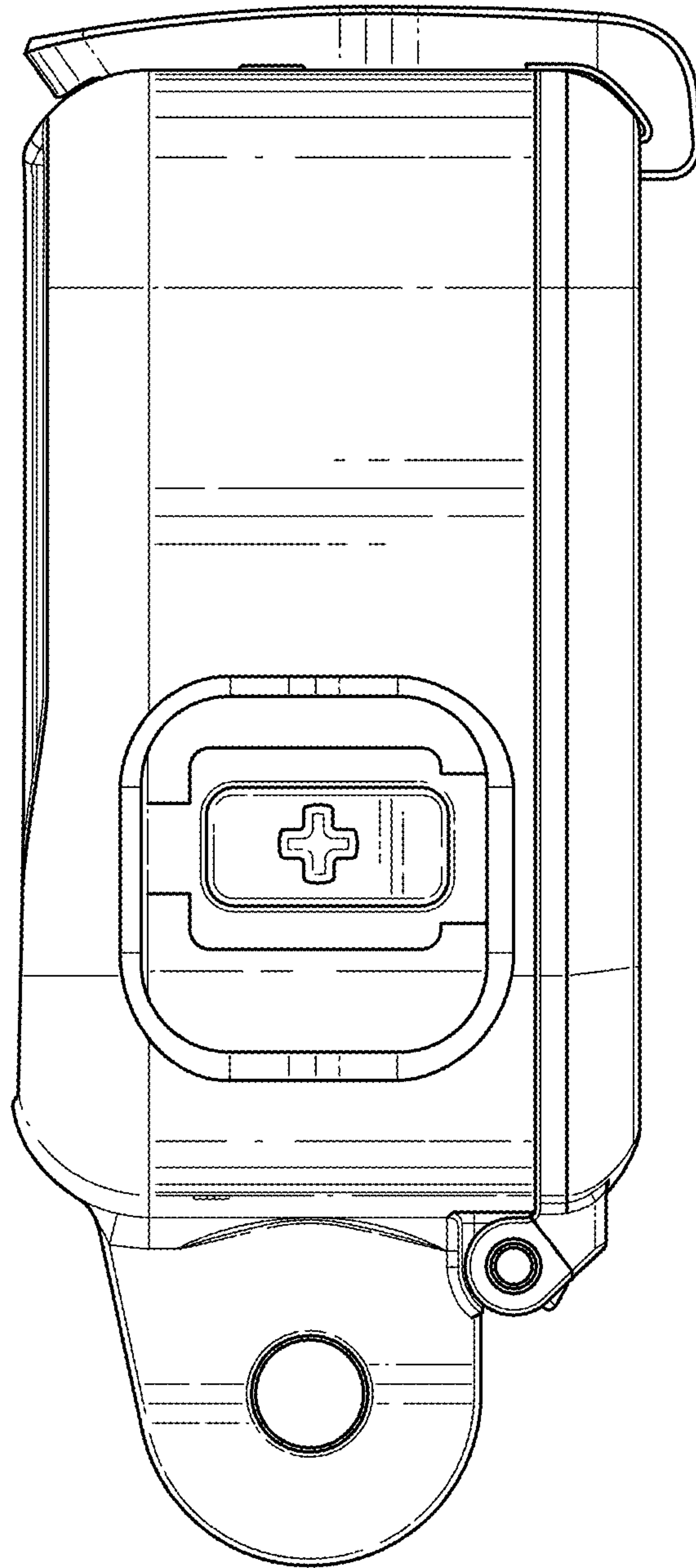


FIG. 8

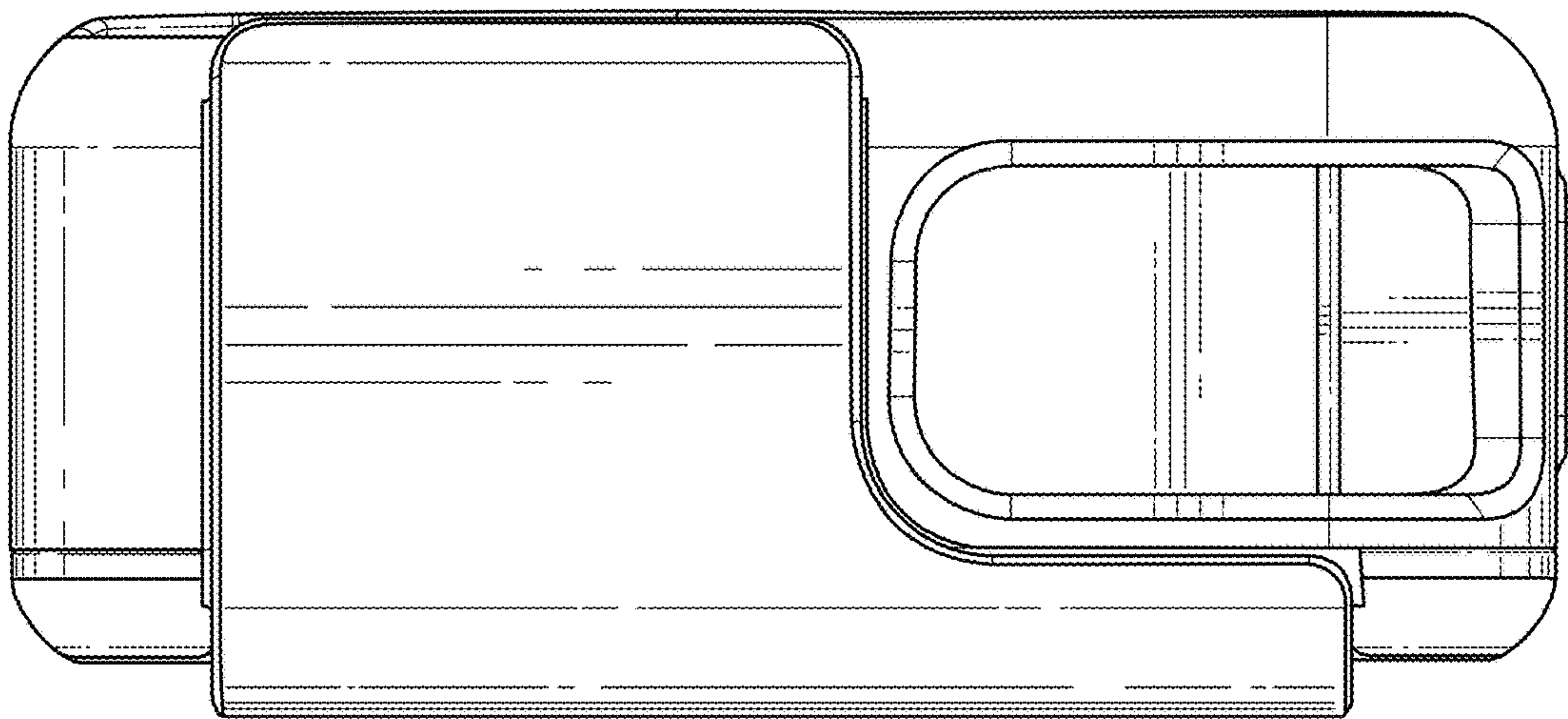


FIG. 9

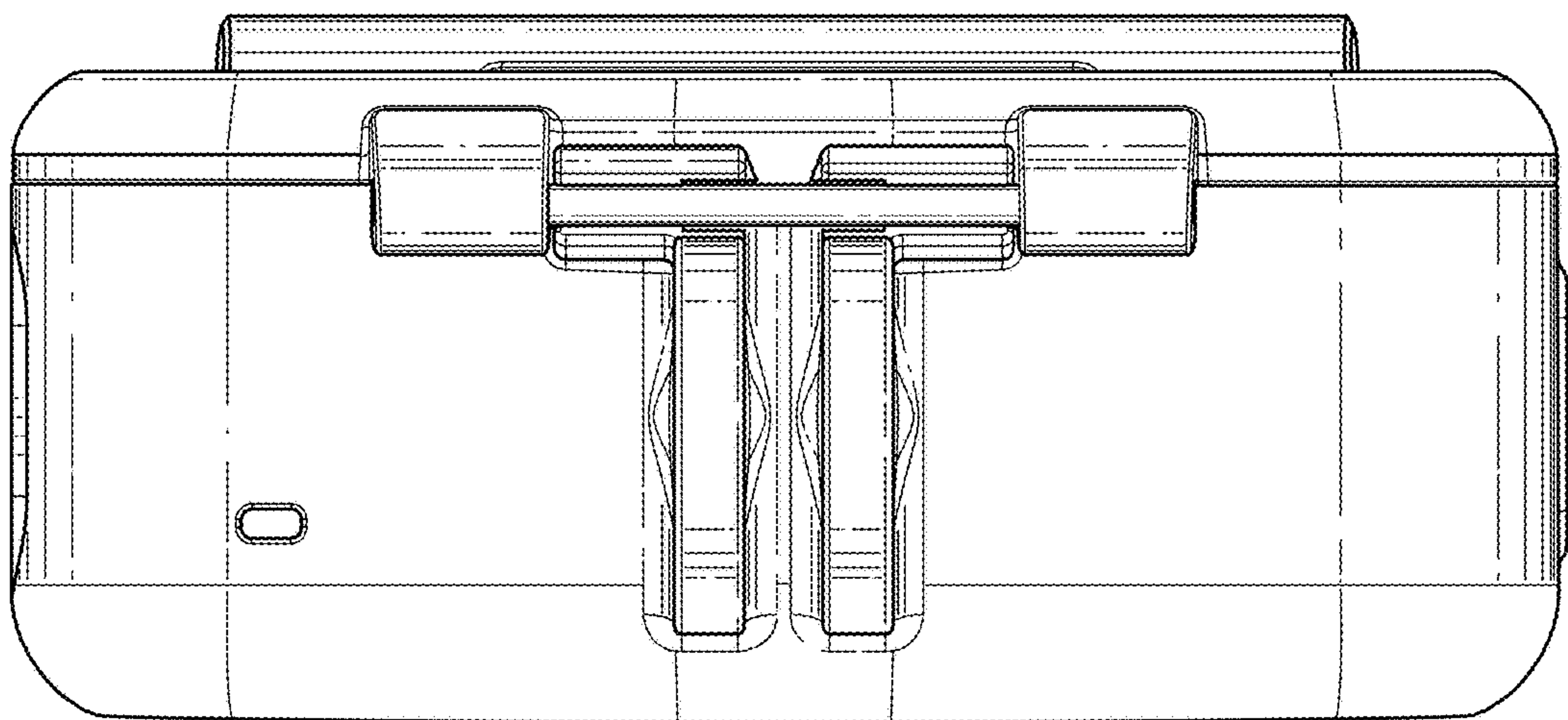


FIG. 10