



US00D785695S

(12) **United States Design Patent**
Woodman et al.

(10) **Patent No.:** **US D785,695 S**

(45) **Date of Patent:** **** May 2, 2017**

(54) **CAMERA**

(71) Applicant: **GoPro, Inc.**, San Mateo, CA (US)

(72) Inventors: **Nicholas D. Woodman**, Woodside, CA (US); **Fred Bould**, Menlo Park, CA (US); **Kristen Beck**, San Mateo, CA (US); **David Christophe Northway**, San Carlos, CA (US); **David Andres Guasca**, San Mateo, CA (US); **Karen Ann Baumgartner**, San Mateo, CA (US); **Scott Patrick Campbell**, Belmont, CA (US); **Rudy Lucas Samuels**, Mill Valley, CA (US); **Fabrice Barbier**, San Carlos, CA (US); **Evan L. Coons**, San Mateo, CA (US)

(73) Assignee: **GoPro, Inc.**, San Mateo, CA (US)

(**) Term: **15 Years**

(21) Appl. No.: **29/552,016**

(22) Filed: **Jan. 19, 2016**

Related U.S. Application Data

(63) Continuation of application No. 29/512,084, filed on Dec. 16, 2014, now Pat. No. Des. 751,131, which is a continuation of application No. 29/491,396, filed on May 20, 2014, now Pat. No. Des. 737,879, which is a continuation of application No. 29/432,151, filed on Sep. 13, 2012, now Pat. No. Des. 721,395.

(51) **LOC (10) Cl.** **16-05**

(52) **U.S. Cl.**
USPC **D16/219**

(58) **Field of Classification Search**
USPC D16/200, 202–206, 208, 209, 218, 219;
348/294, 373–376; 359/826; 396/6, 301,
396/529, 535, 539–541

CPC G03B 15/03; G03B 17/02; G03B 17/04;
G03B 17/56; G03B 19/04; H04N 5/2251;
H04N 5/2252; H04N 5/2253; H04N
5/2254; H04N 2101/00

See application file for complete search history.

(56) **References Cited**

U.S. PATENT DOCUMENTS

D321,705 S	11/1991	Ohmura et al.
D338,220 S	8/1993	Kohno et al.
D392,659 S	3/1998	Takano
6,233,400 B1	5/2001	Muramatsu et al.
D524,836 S	7/2006	Morita
D527,403 S	8/2006	Byun et al.

(Continued)

Primary Examiner — Philip S Hyder

Assistant Examiner — Ramzi Almatrahi

(74) *Attorney, Agent, or Firm* — Fenwick & West LLP

(57) **CLAIM**

The ornamental design for a camera, as shown and described.

DESCRIPTION

FIG. 1 is a front, top and right side perspective view of a camera showing our new design;

FIG. 2 is a front, bottom and left side perspective view thereof;

FIG. 3 is a rear, top and left side perspective view thereof;

FIG. 4 is a rear, bottom and right side perspective view thereof;

FIG. 5 is a front elevational view thereof;

FIG. 6 is a rear elevational view thereof;

FIG. 7 is a right side elevational view thereof;

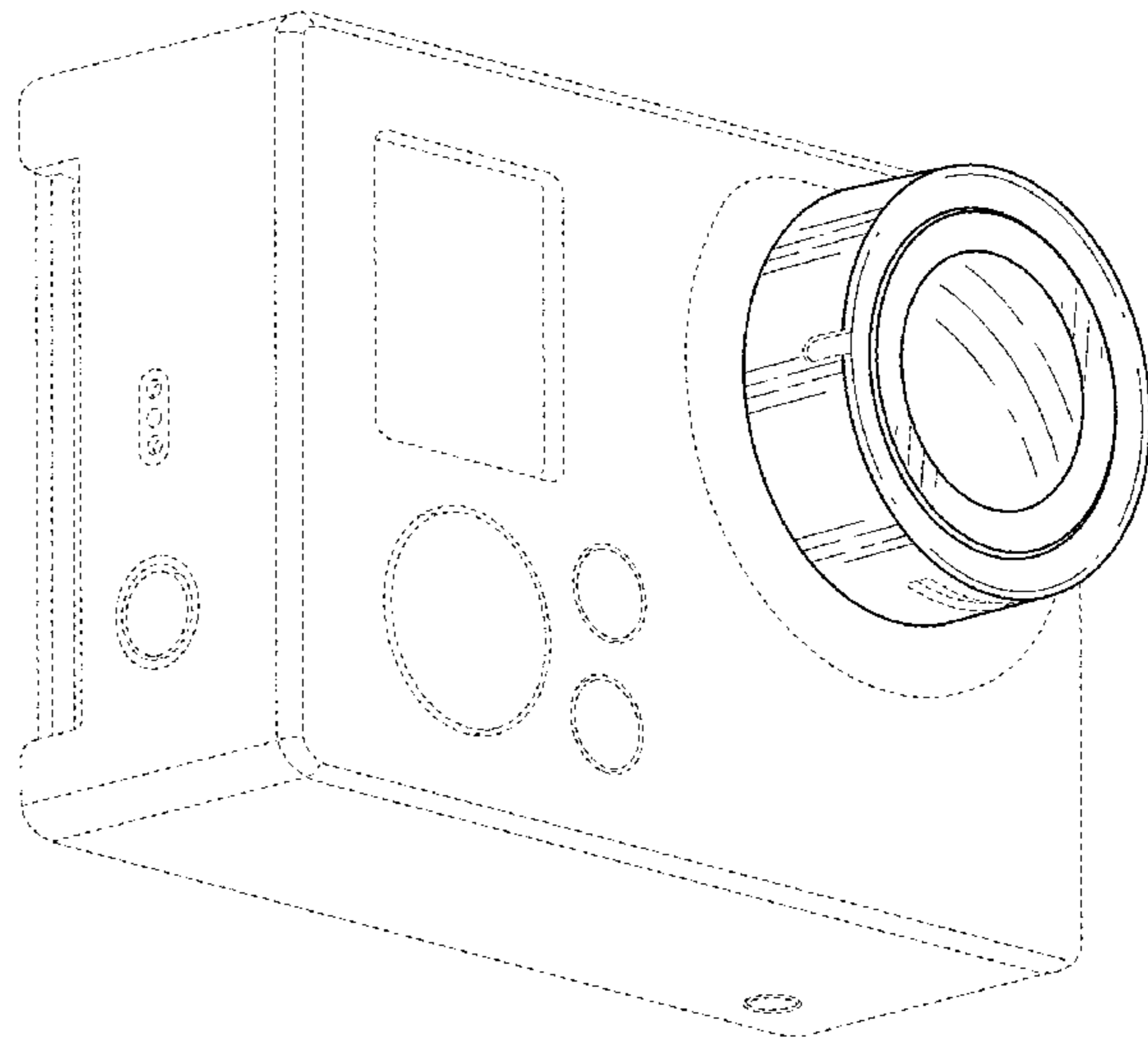
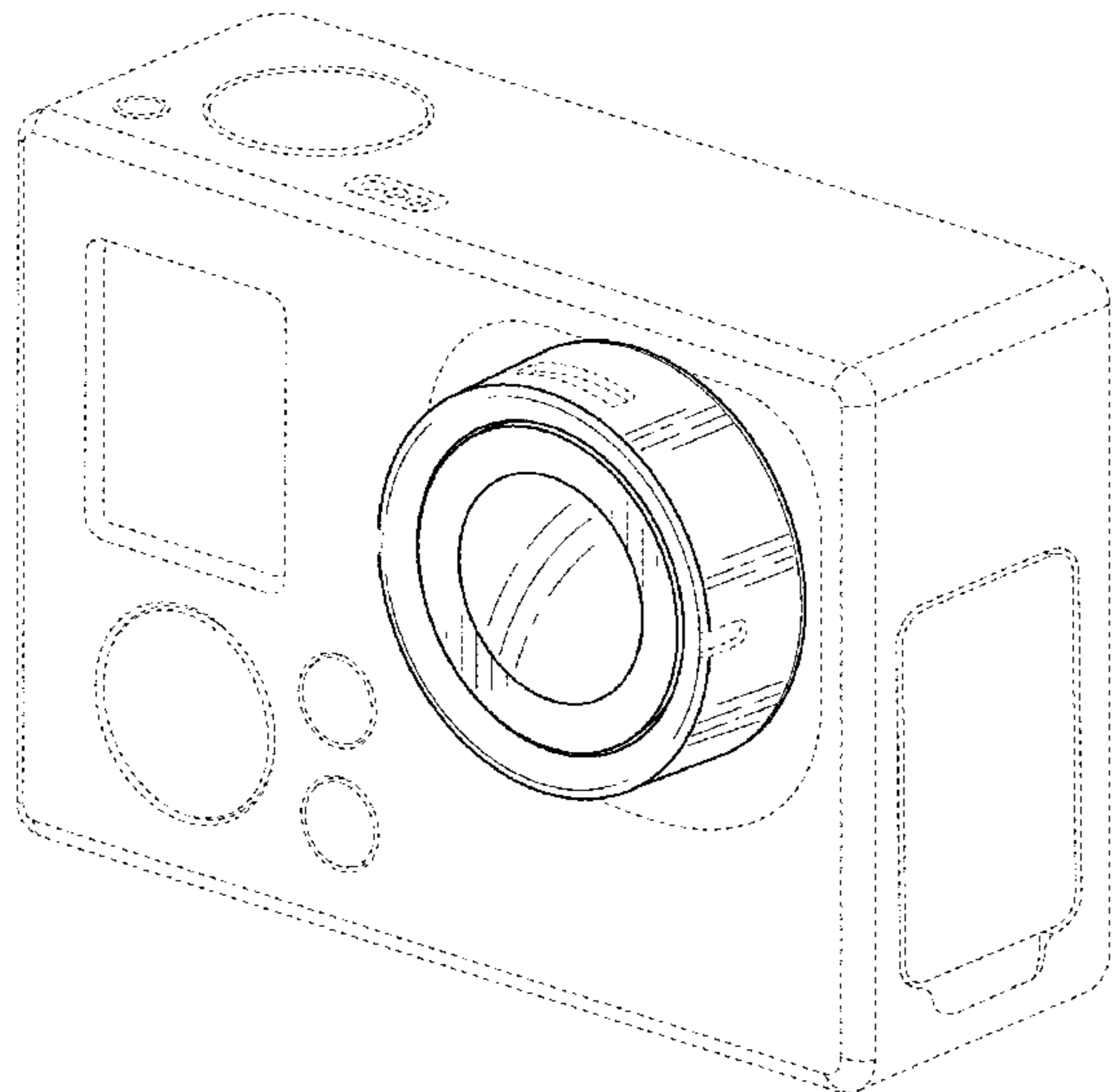
FIG. 8 is a left side elevational view thereof;

FIG. 9 is a top plan view thereof; and,

FIG. 10 is a bottom plan view thereof.

The broken lines depict portions of the camera in which the design is embodied and form no part of the claimed design.

1 Claim, 10 Drawing Sheets



(56)

References Cited

U.S. PATENT DOCUMENTS

D532,029	S	11/2006	Kim	
D532,030	S	11/2006	Yoshida	
D532,433	S	11/2006	Sato	
D533,574	S	12/2006	Hamamura	
D534,564	S	1/2007	Tainaka	
D538,322	S	3/2007	Horikiri	
D566,151	S	4/2008	Won et al.	
7,626,621	B2	12/2009	Ito et al.	
7,653,292	B2*	1/2010	Yamaguchi G03B 17/08 348/81
7,683,968	B2	3/2010	Hagihara et al.	
7,768,727	B2	8/2010	Iida	
7,801,439	B2	9/2010	Nagata et al.	
D641,389	S	7/2011	Dastagir	
D702,276	S *	4/2014	Woodman D16/219
D702,278	S *	4/2014	Kim D16/237
D721,395	S *	1/2015	Woodman D16/218
D732,593	S *	6/2015	Woodman D16/200
D737,879	S *	9/2015	Woodman D16/218
D751,131	S *	3/2016	Woodman D16/218
D759,145	S *	6/2016	Lee D16/219
D760,309	S *	6/2016	Parfitt D16/202
D762,759	S *	8/2016	Wu D16/218
2005/0019029	A1	1/2005	Kawakami	
2005/0212959	A1	9/2005	Manabe et al.	
2006/0233545	A1	10/2006	Senba et al.	

* cited by examiner

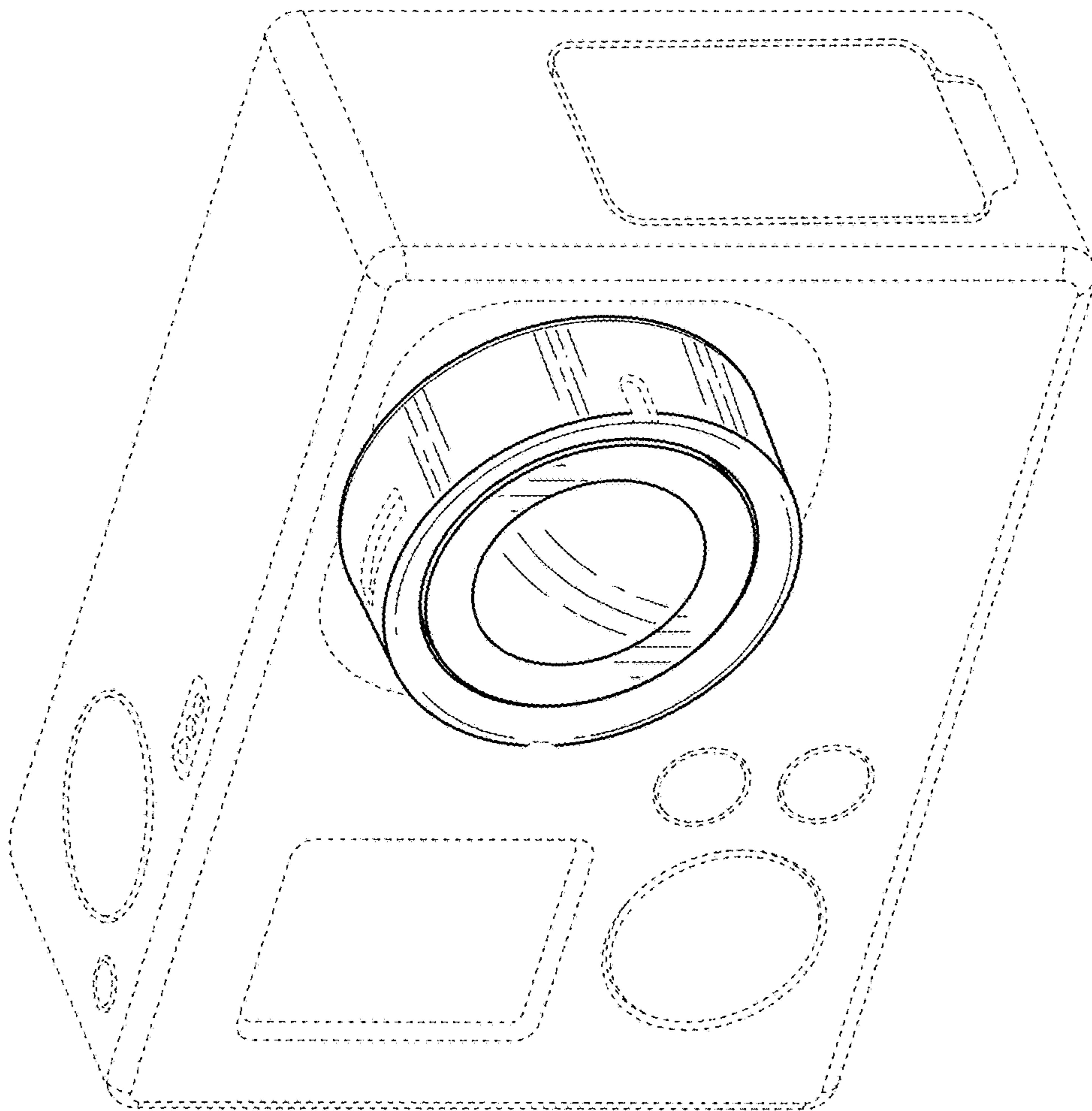


FIG. 1

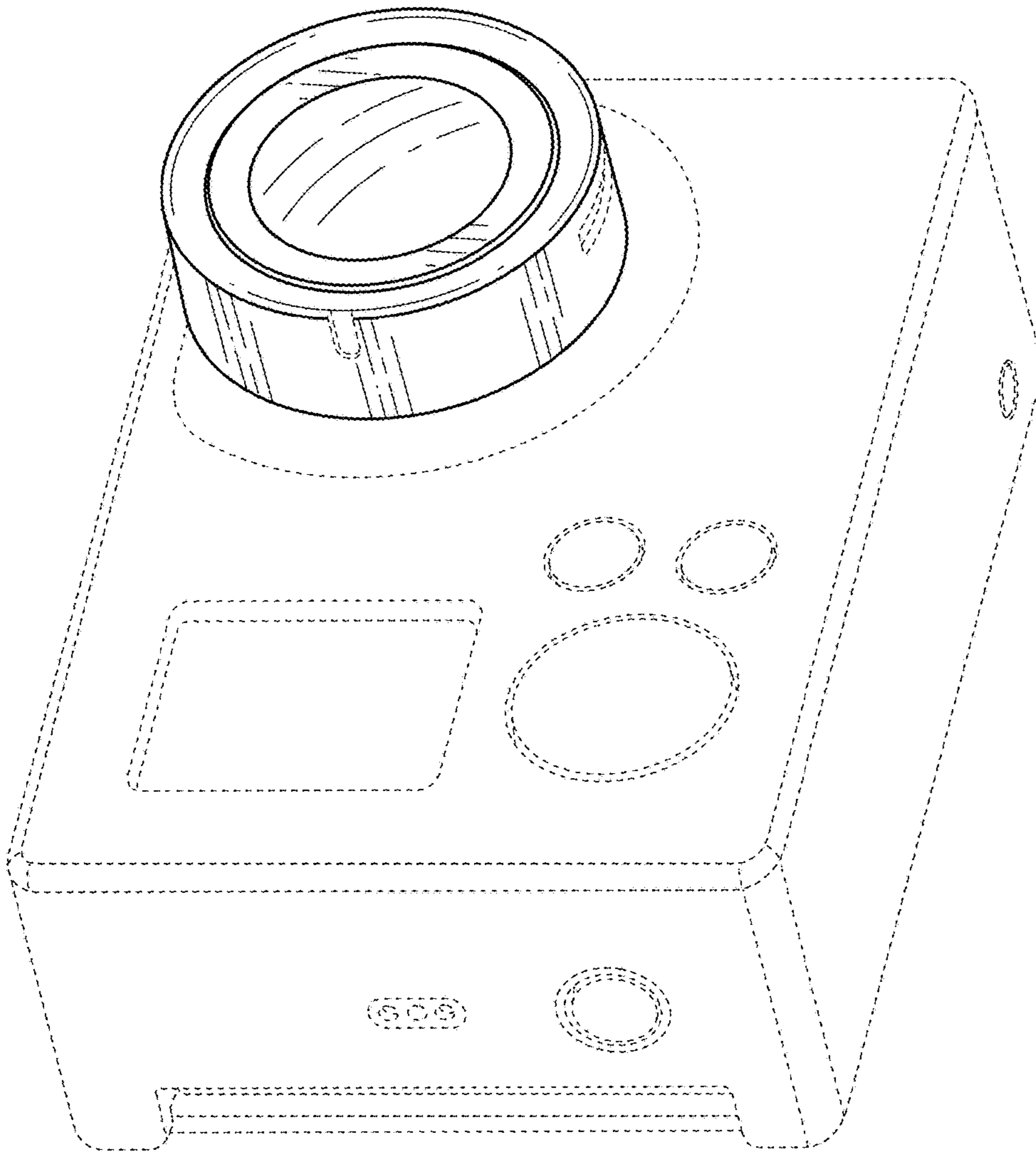


FIG. 2

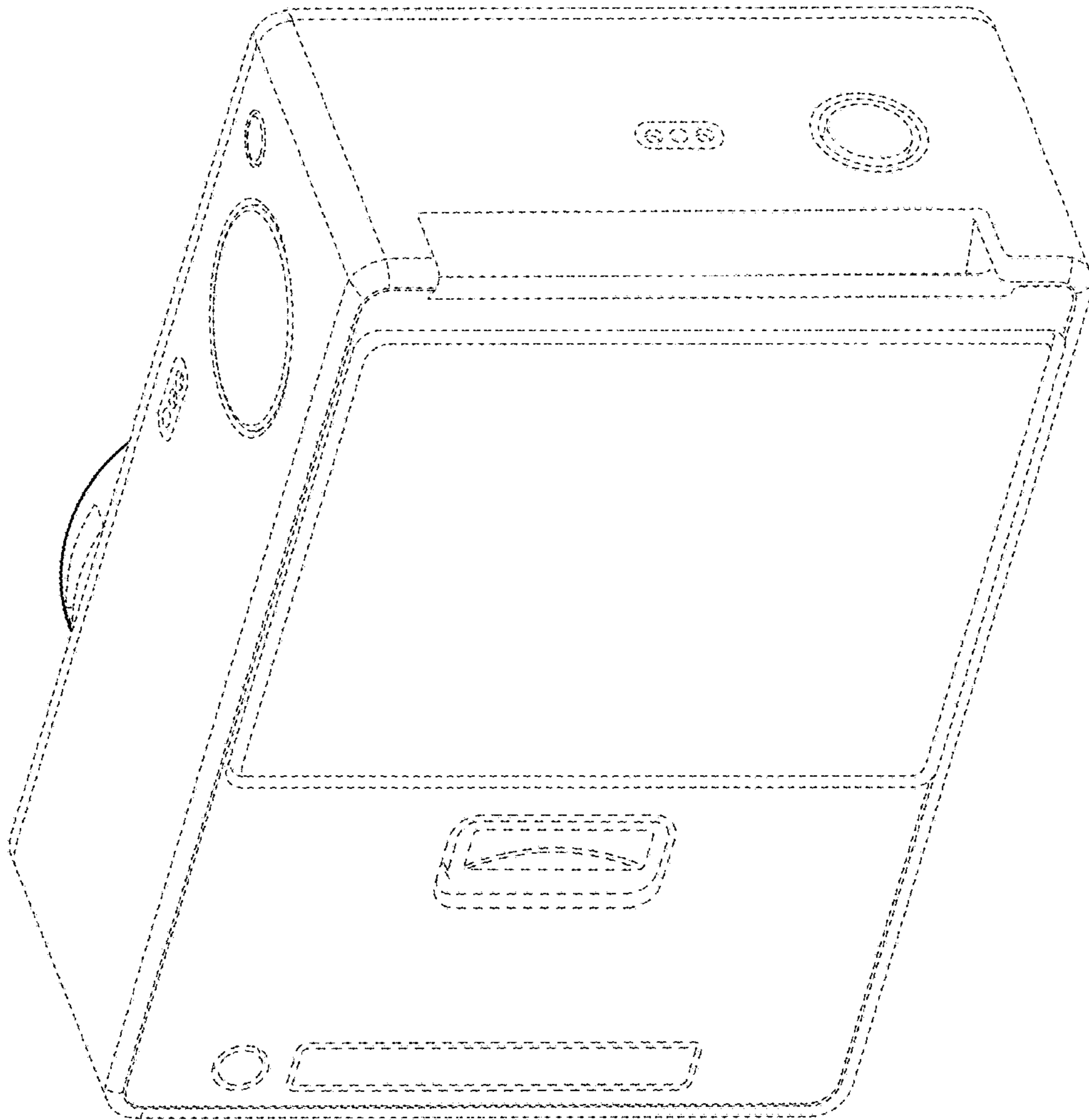


FIG. 3

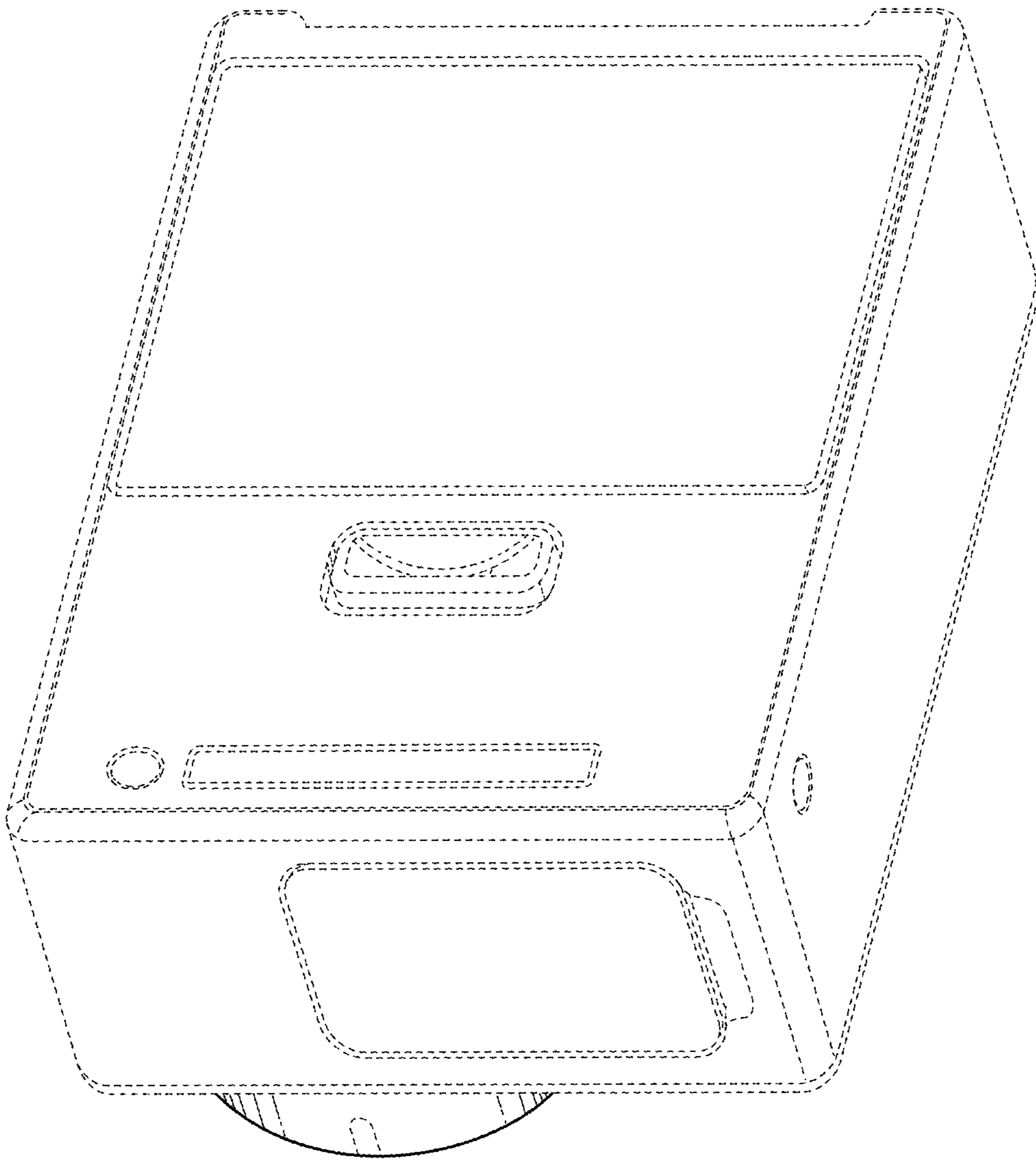


FIG. 4

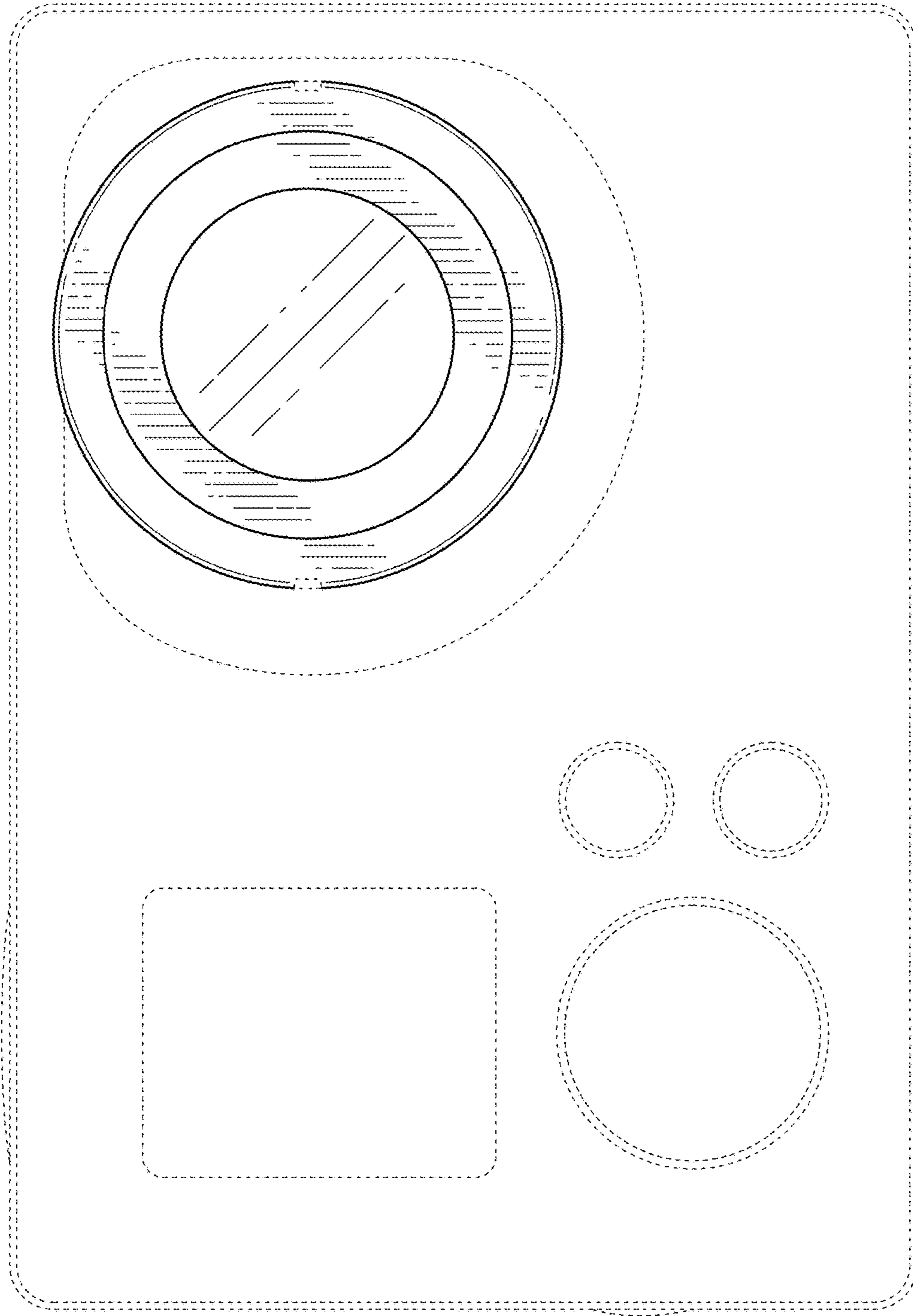


FIG. 5

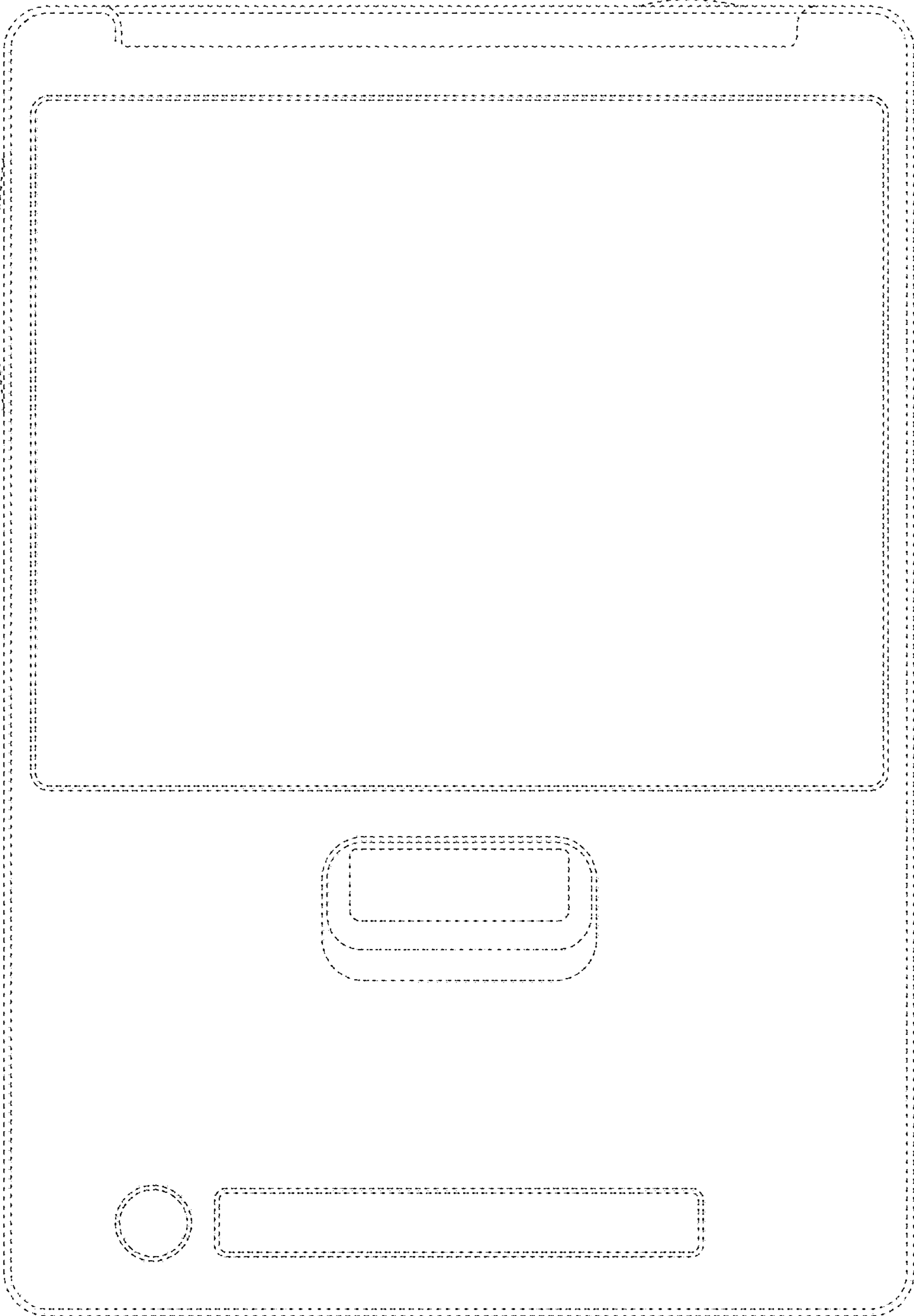


FIG. 6

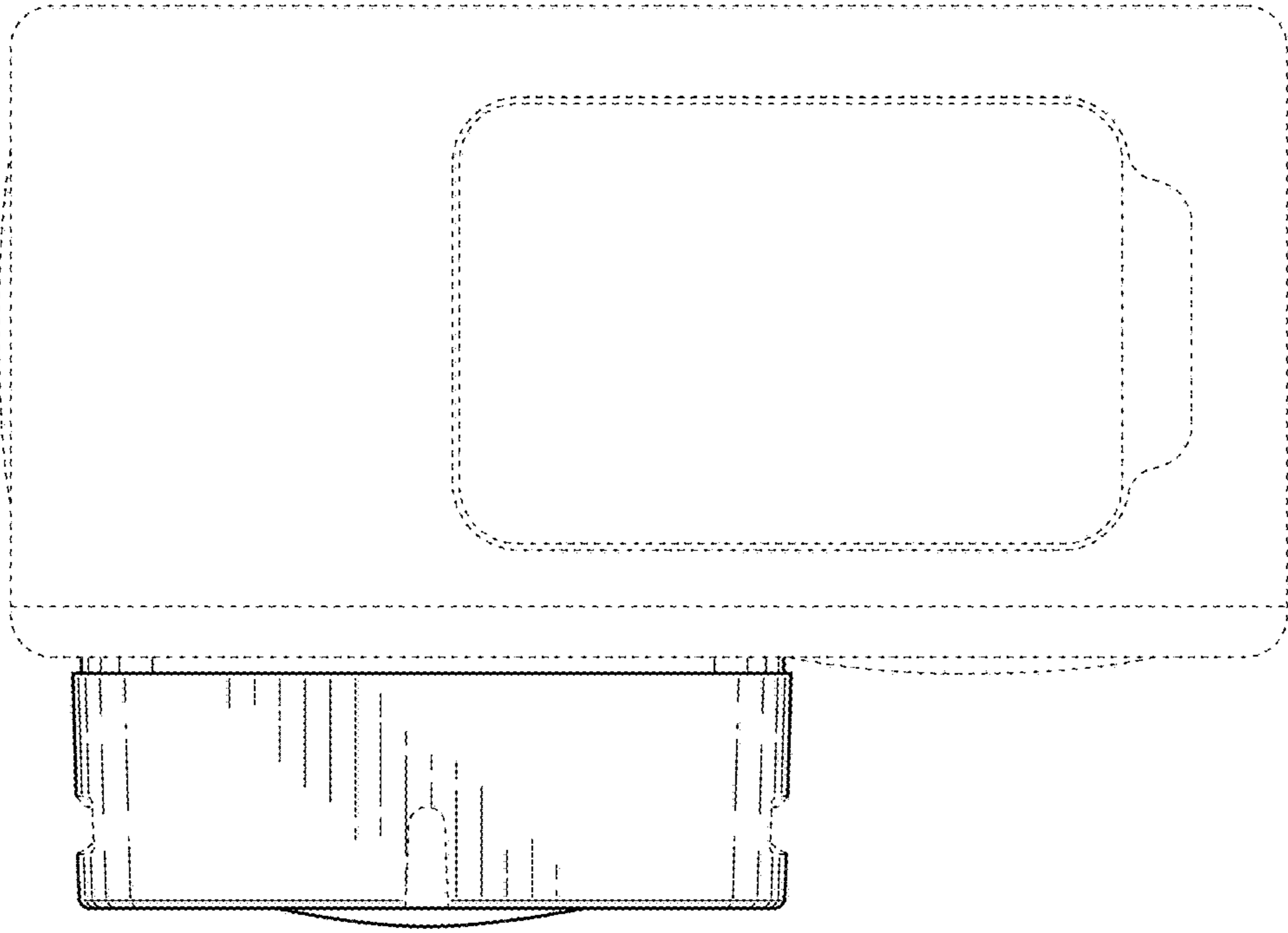


FIG. 7

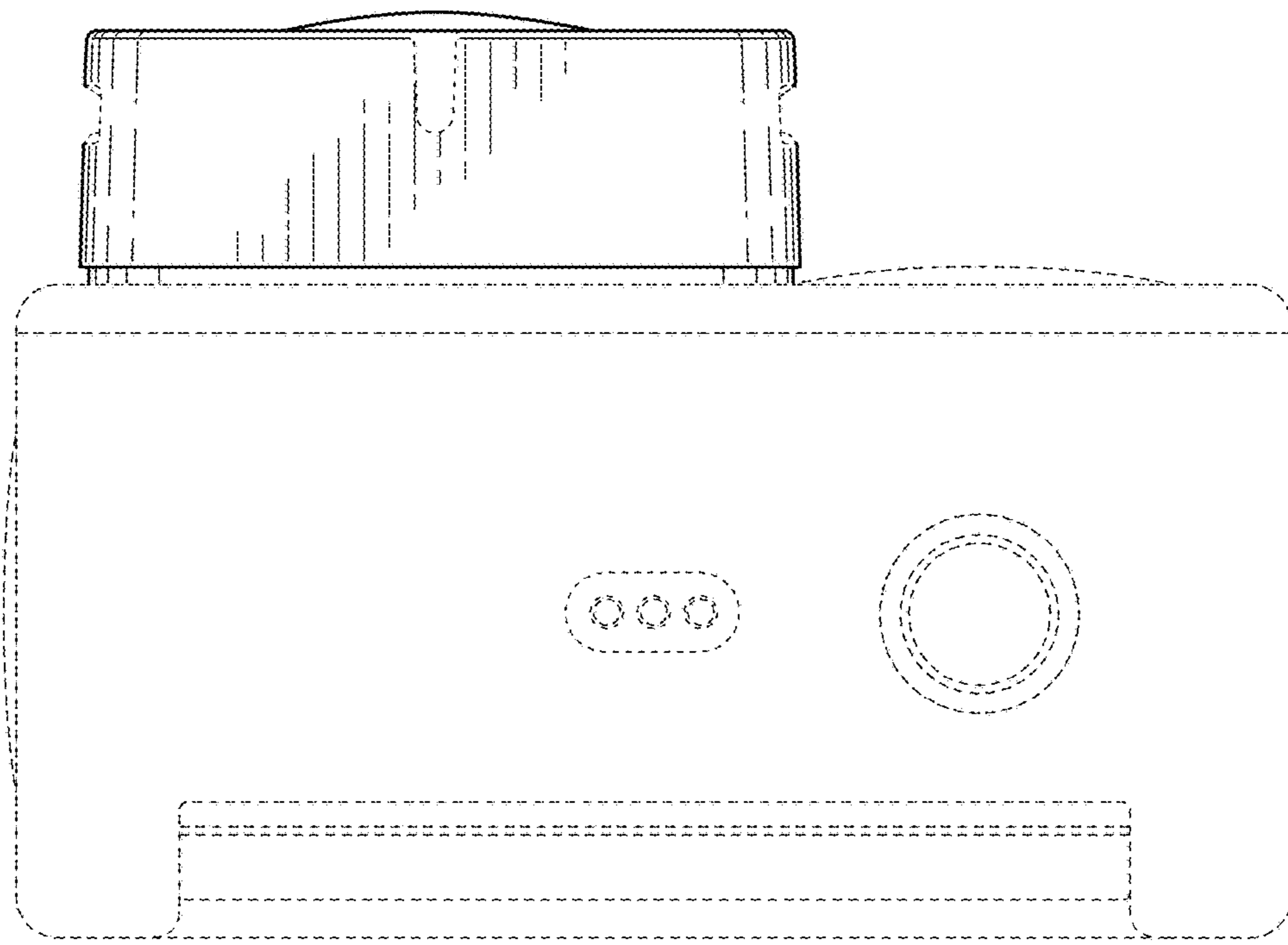


FIG. 8

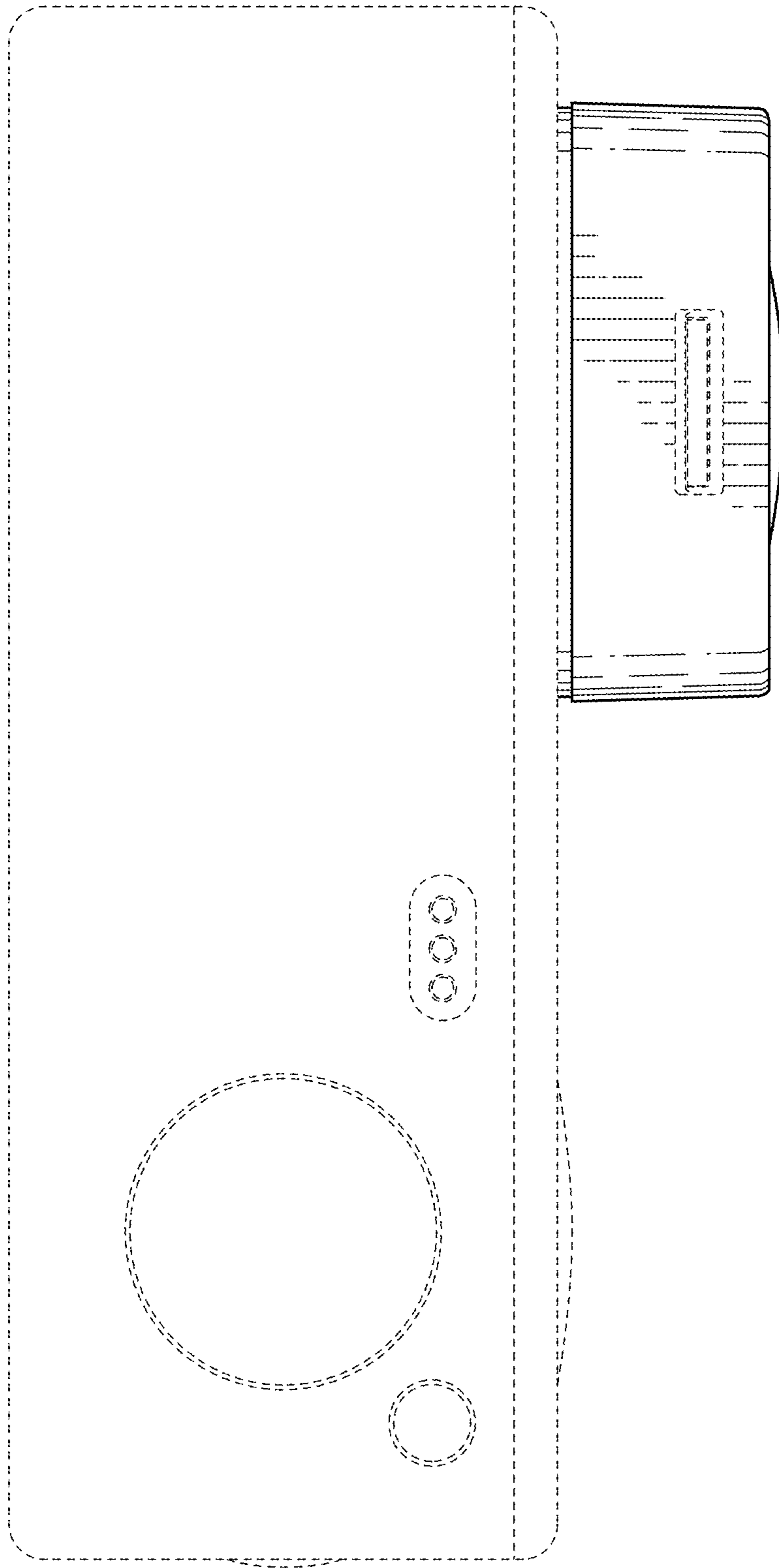


FIG. 9

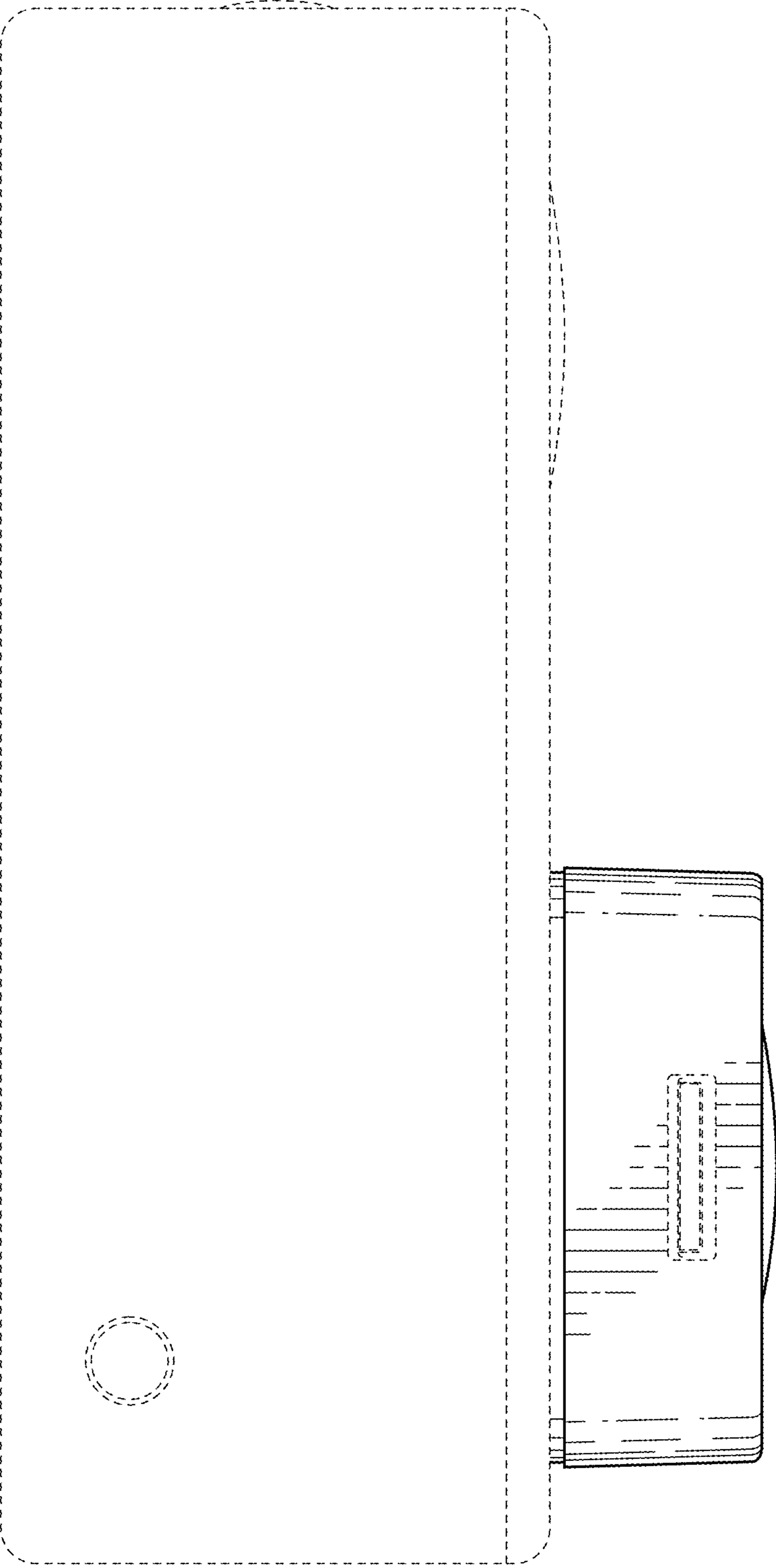


FIG. 10