



US00D785694S

(12) **United States Design Patent** (10) **Patent No.:** **US D785,694 S**
Fujii et al. (45) **Date of Patent:** **** May 2, 2017**

- (54) **PHOTO BOOTH**
- (71) Applicants: **Garrick Fujii**, Long Beach, CA (US);
Henry Ly, Hawthorne, CA (US)
- (72) Inventors: **Garrick Fujii**, Long Beach, CA (US);
Henry Ly, Hawthorne, CA (US)
- (**) Term: **15 Years**
- (21) Appl. No.: **29/550,471**
- (22) Filed: **Jan. 4, 2016**
- (51) **LOC (10) Cl.** **16-01**
- (52) **U.S. Cl.**
USPC **D16/214; D16/215**
- (58) **Field of Classification Search**
USPC D16/215, 208, 209, 200, 214; D14/126,
D14/371; D6/648, 657, 668, 703.1
CPC G06F 3/0412; G06F 3/016; B41J 2/465;
G03B 15/00; G03B 15/03; H04N 5/2251
See application file for complete search history.

- D668,283 S * 10/2012 Ohno D16/203
8,340,511 B2 12/2012 Paramadilok
D692,474 S 10/2013 Thorpe
D692,939 S * 11/2013 Huang D16/218
D705,445 S 5/2014 Bolos
8,737,828 B1 5/2014 Borja et al.
D721,757 S * 1/2015 Shepard D16/214
D725,647 S 3/2015 Williams
D729,296 S * 5/2015 Shelton D16/202
D737,356 S * 8/2015 Tabuchi D16/218
D743,472 S * 11/2015 Tanifuji D16/203
D749,437 S * 2/2016 Crees D10/65
D755,876 S * 5/2016 Moss D16/214
D773,706 S * 12/2016 Ookawa D26/51
2014/0255015 A1 9/2014 Andres et al.

* cited by examiner

Primary Examiner — Rosemary K Tarcza
Assistant Examiner — Yolanda Robinson
(74) *Attorney, Agent, or Firm* — Thomas A. Runk;
Brooks Kushman P.C.

(57) **CLAIM**

We claim the ornamental design for a photo booth, as shown and described.

- (56) **References Cited**
- U.S. PATENT DOCUMENTS
- 5,091,791 A 2/1992 Mitchell
5,446,515 A 8/1995 Wolfe et al.
D396,869 S * 8/1998 Yamakawa D16/202
D410,481 S * 6/1999 Roncal 396/2
D421,446 S 3/2000 Tringali
D433,695 S 11/2000 Smart
D438,569 S * 3/2001 Hofmann H04N 1/00143
D14/337
D548,763 S * 8/2007 Boris D16/202
D575,316 S * 8/2008 Liu D16/202
D582,955 S * 12/2008 Sekine D16/218
D624,108 S * 9/2010 Wang D16/219
D628,613 S 12/2010 Gassman et al.
D633,933 S * 3/2011 Van Schalkwyk D16/214
D647,934 S * 11/2011 Raken D16/202
D647,938 S 11/2011 Geddes

DESCRIPTION

FIG. 1 is a top, right side, and front perspective view of a photo booth configured in accordance with the present invention;
FIG. 2 is a front elevation view thereof;
FIG. 3 is a rear elevation view thereof;
FIG. 4 is a right side elevation view thereof;
FIG. 5 is a left side elevation view thereof;
FIG. 6 is a top plan view thereof; and,
FIG. 7 is a bottom plan view thereof.
The broken lines in the drawings illustrate unclaimed portions of the photo booth, and form no part of the claimed design.

1 Claim, 4 Drawing Sheets

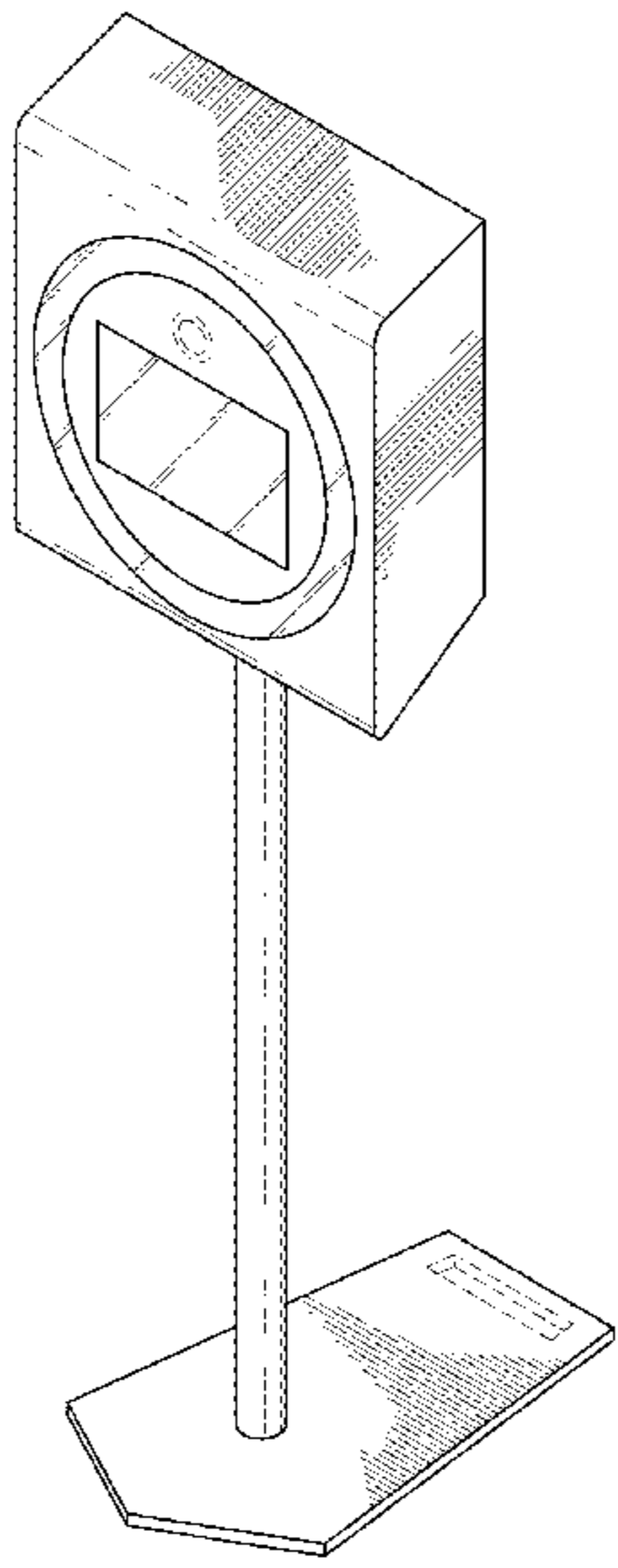
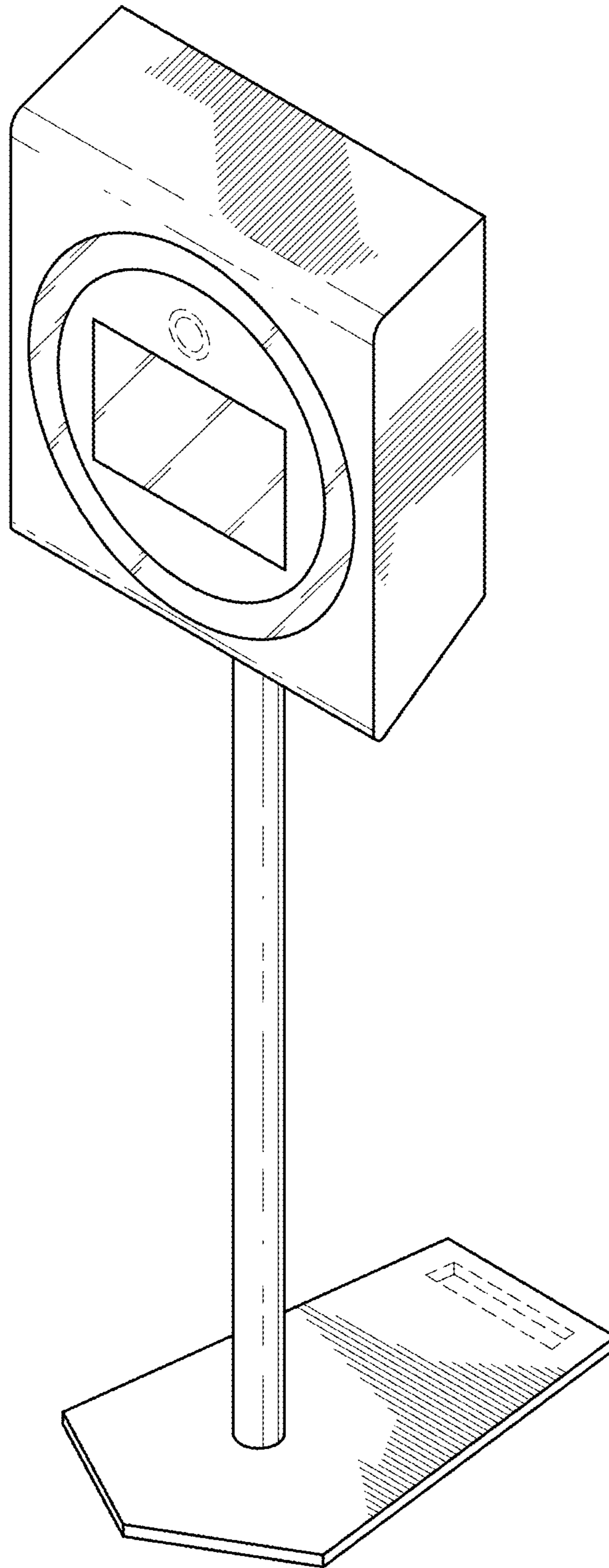


FIG. 1



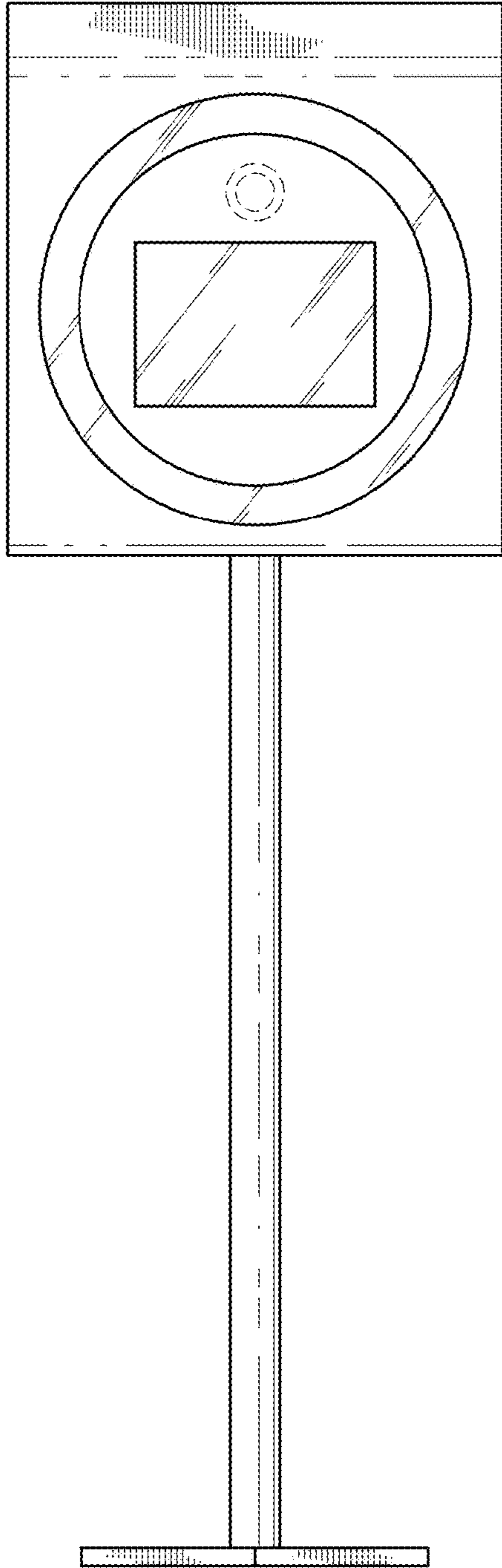


FIG. 2

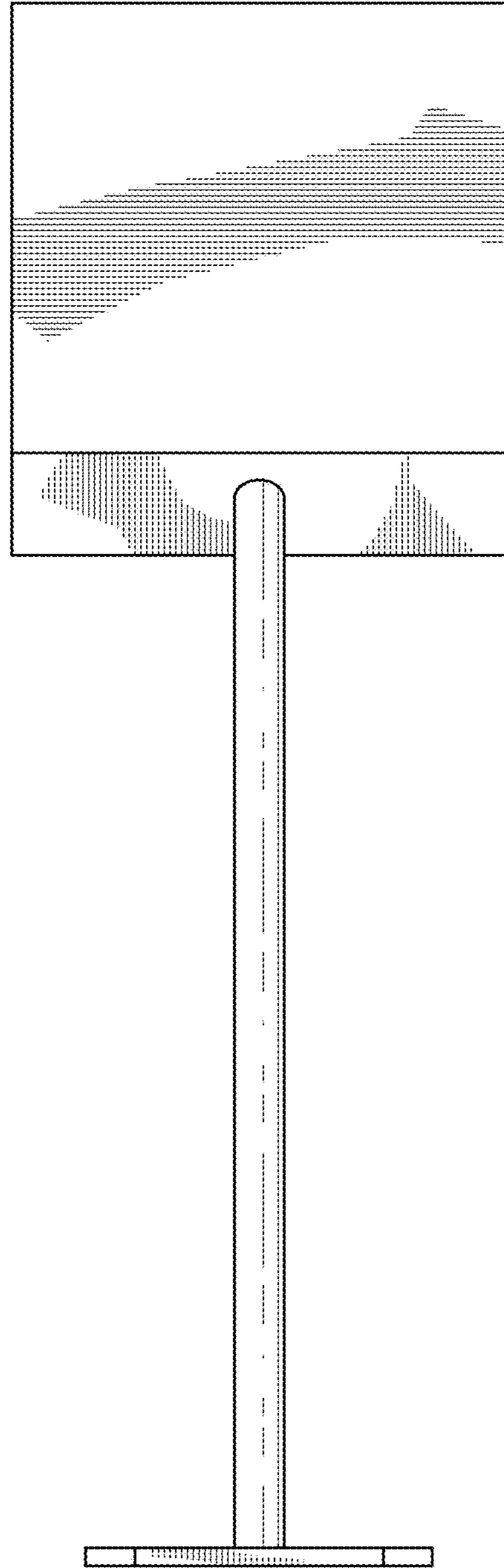
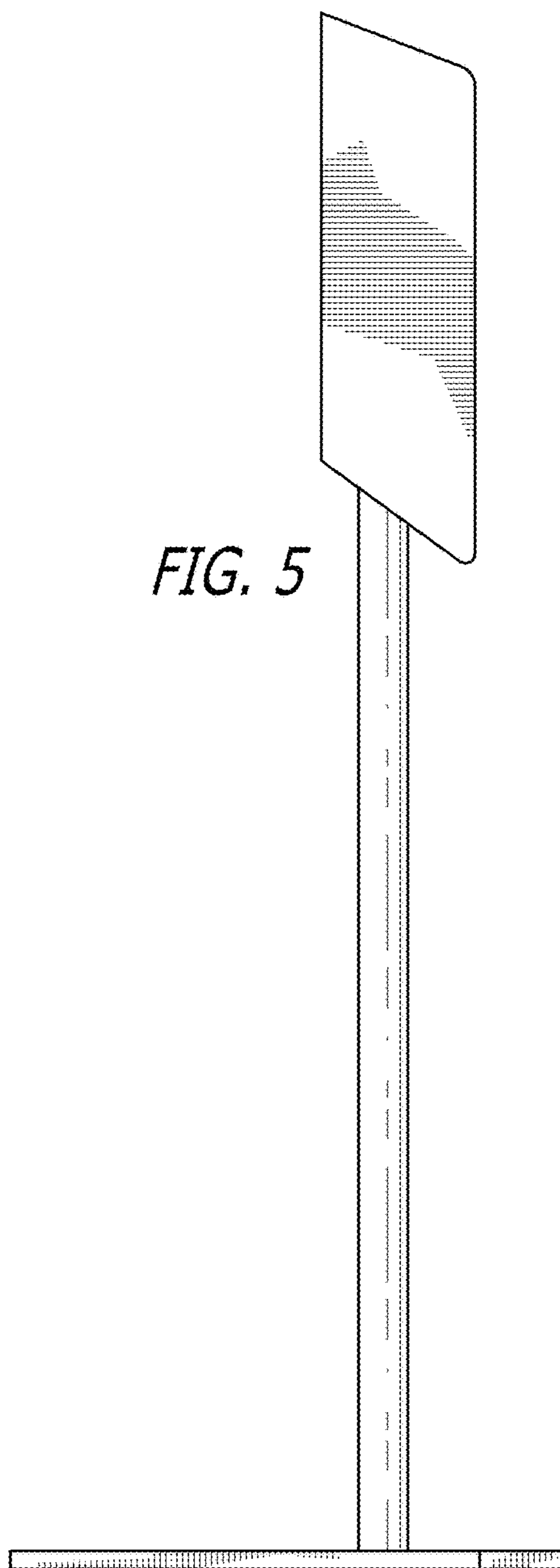
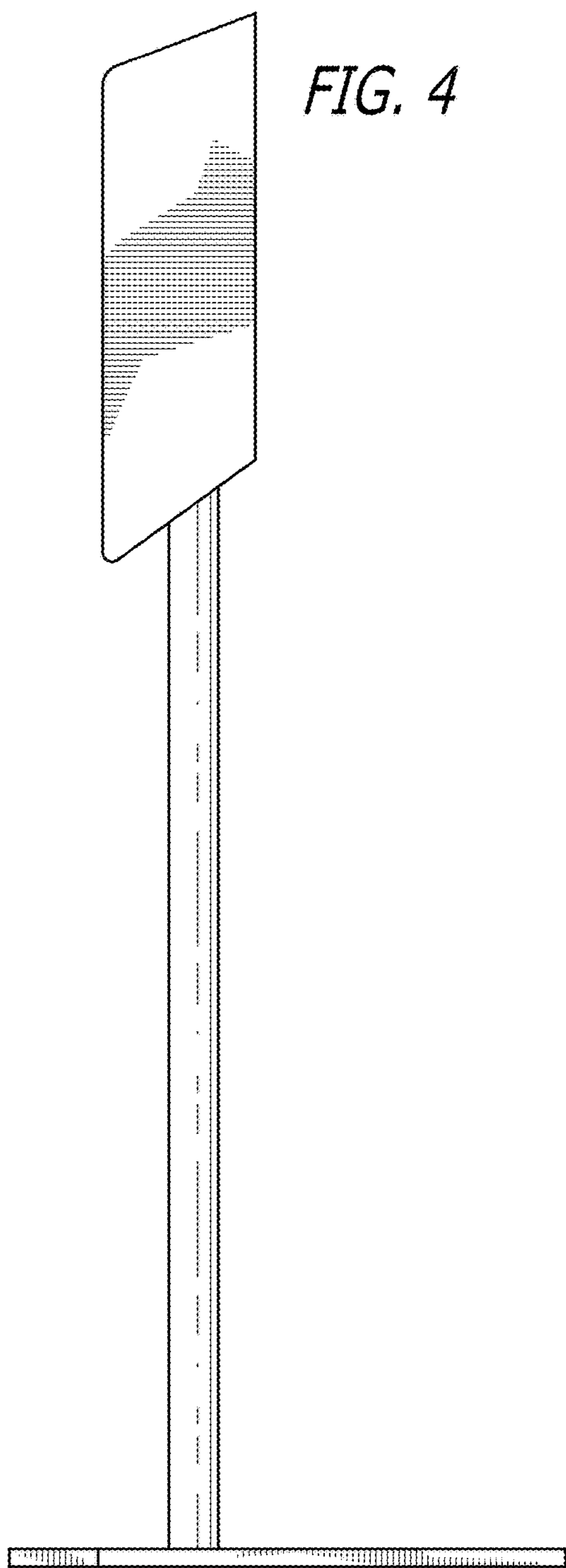


FIG. 3



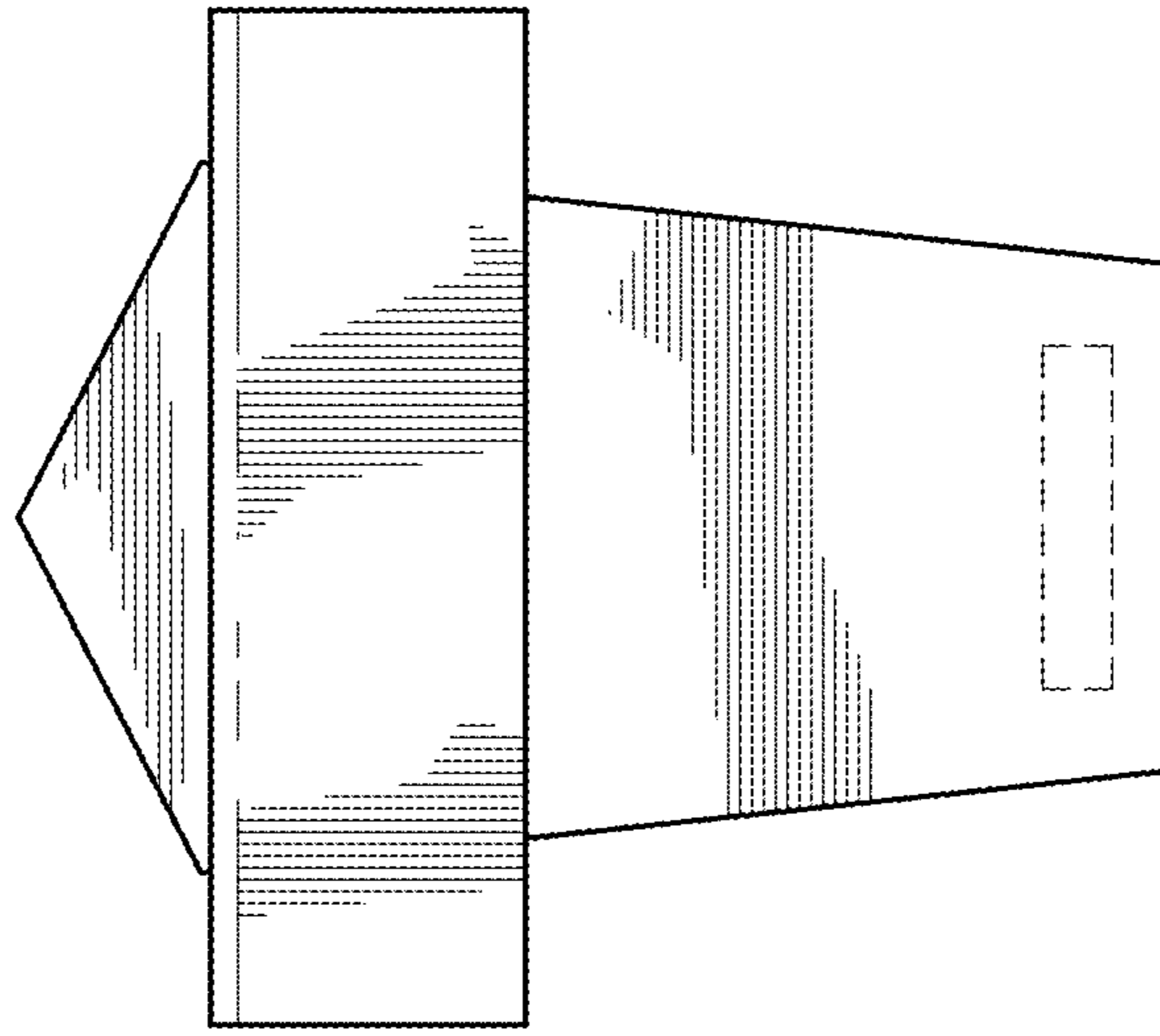


FIG. 6

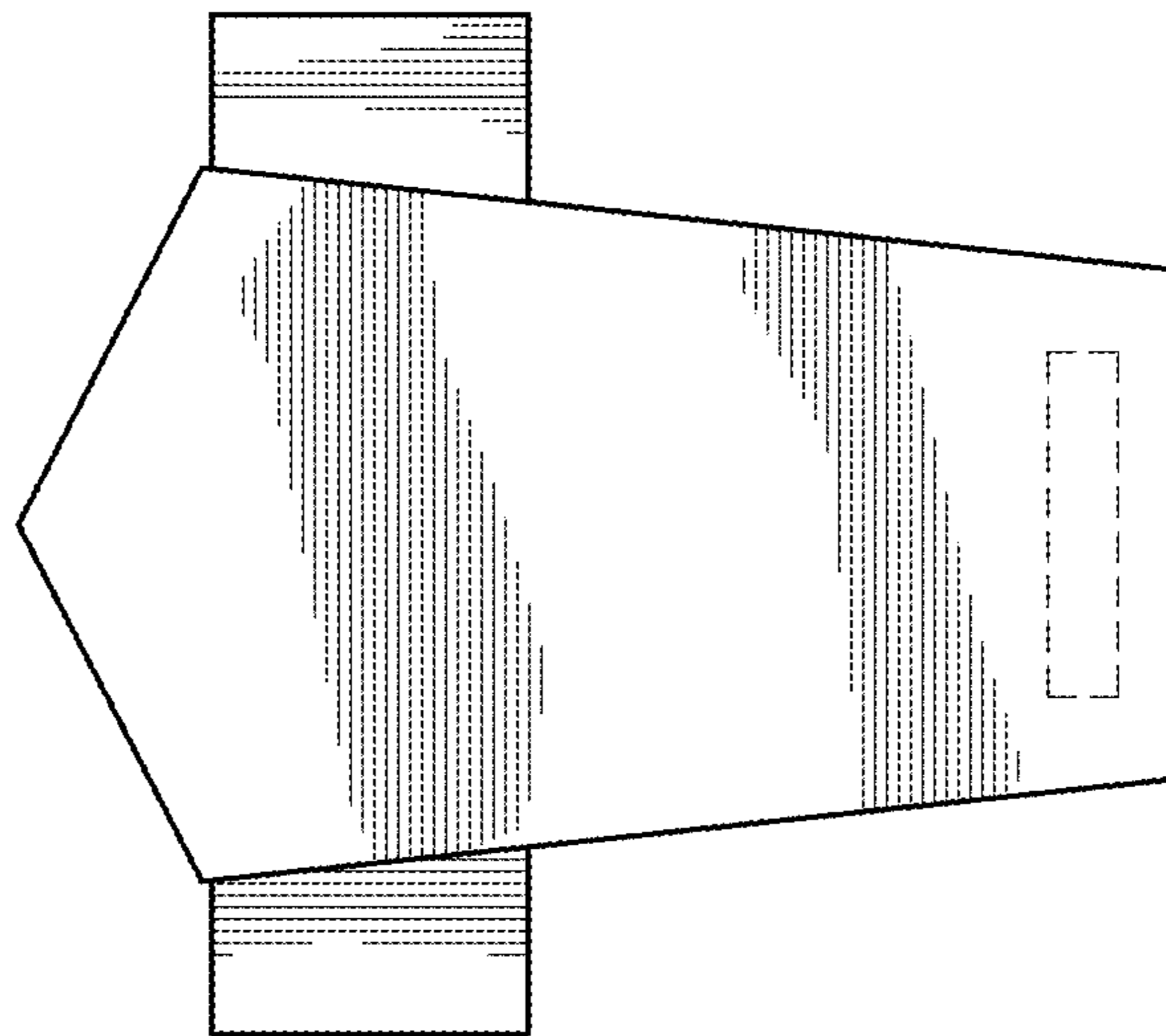


FIG. 7