



US00D785693S

(12) **United States Design Patent**
Kim

(10) **Patent No.:** **US D785,693 S**

(45) **Date of Patent:** **** May 2, 2017**

(54) **SELF-STANDING CAMERA**

(71) Applicant: **jWIN Electronics Corp.**, Port Washington, NY (US)

(72) Inventor: **Justin Kim**, Great Neck, NY (US)

(73) Assignee: **jWIN Electronics Corp.**, Port Washington, NY (US)

(**) Term: **15 Years**

(21) Appl. No.: **29/534,579**

(22) Filed: **Jul. 29, 2015**

(51) **LOC (10) Cl.** **16-01**

(52) **U.S. Cl.**

USPC **D16/214**; D16/202; D16/203

(58) **Field of Classification Search**

USPC D16/200, 202, 203, 208, 211, 214, 215, D16/218, 219, 224, 242, 244, 250; D10/118.2; D14/159; D8/394

CPC B60R 11/00; G02B 23/16; G02B 23/18; H04M 1/04; G03B 17/00; G03B 17/02; G03B 17/04; H04N 5/2251; H04N 5/2252; H04N 5/2253; H04N 5/2254; H04N 7/147; H04N 7/15

See application file for complete search history.

(56) **References Cited**

U.S. PATENT DOCUMENTS

D349,714 S *	8/1994	Hasegawa	D16/203
D558,250 S *	12/2007	Hsia	D16/203
7,303,171 B1 *	12/2007	Chen	B60R 11/00 224/908
D575,316 S *	8/2008	Liu	D16/202
D624,108 S *	9/2010	Wang	D16/219
D643,453 S *	8/2011	Ham	D16/203
D729,296 S *	5/2015	Shelton	D16/202

D741,932 S *	10/2015	Huang	D16/202
D746,350 S *	12/2015	Li	D16/203
D748,179 S *	1/2016	Scalisi	D10/118.2
D748,709 S *	2/2016	Jeong	D16/202
D757,835 S *	5/2016	Tabuchi	D16/203

OTHER PUBLICATIONS

Etherington, Darrell, "Samsung SmartCam HD Pro Review: A Dropcam Competitor That Works Well, But Lacks Charm", posted at techcrunch.com, May 23, 2014, [site visited Aug. 24, 2016]. Available from Internet: <<https://techcrunch.com/2014/05/23/samsung-smartcam-hd-pro-review-a-dropcam-competitor-that-works-well-but-lacks-charm>>.*

Martin, Jim, "Nest Cam release date, price, features UK: New home monitoring camera and updated Nest Protect", posted at pcdvisor.co.uk, Jun. 18, 2015, [site visited Aug. 24, 2016]. Available from Internet: <<http://www.pcdvisor.co.uk/new-product/digital-home/nest-cam-release-date-price-features-uk-3616252>>.*

(Continued)

Primary Examiner — Celia Murphy

Assistant Examiner — John Otte

(74) *Attorney, Agent, or Firm* — McGuireWoods LLP

(57)

CLAIM

The ornamental design for a self-standing camera, as shown and described.

DESCRIPTION

FIG. 1 is a front elevation view of a "self-standing camera" showing my new design;

FIG. 2 is a left side view thereof;

FIG. 3 is a right side view thereof;

FIG. 4 is a back side view thereof;

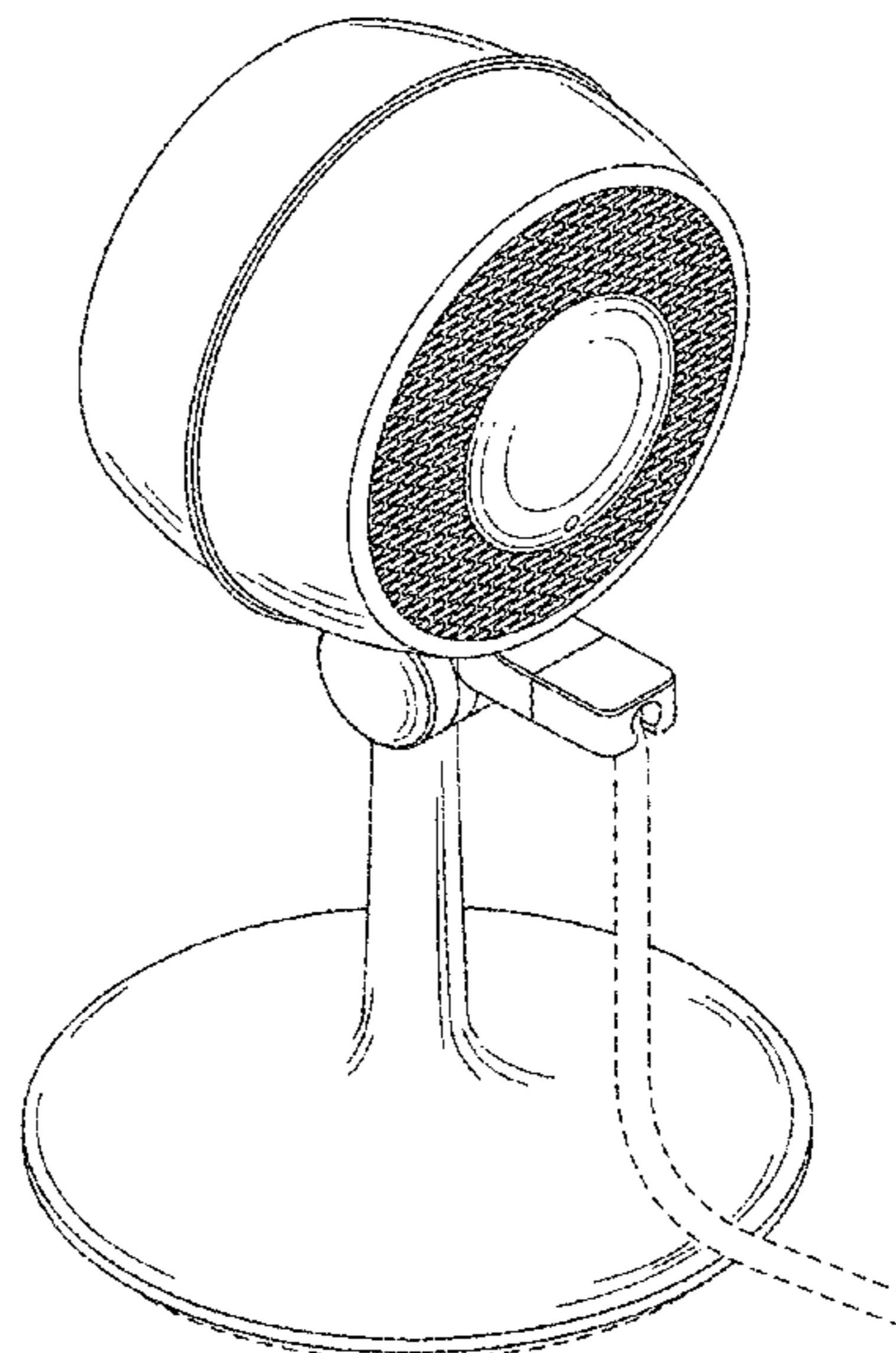
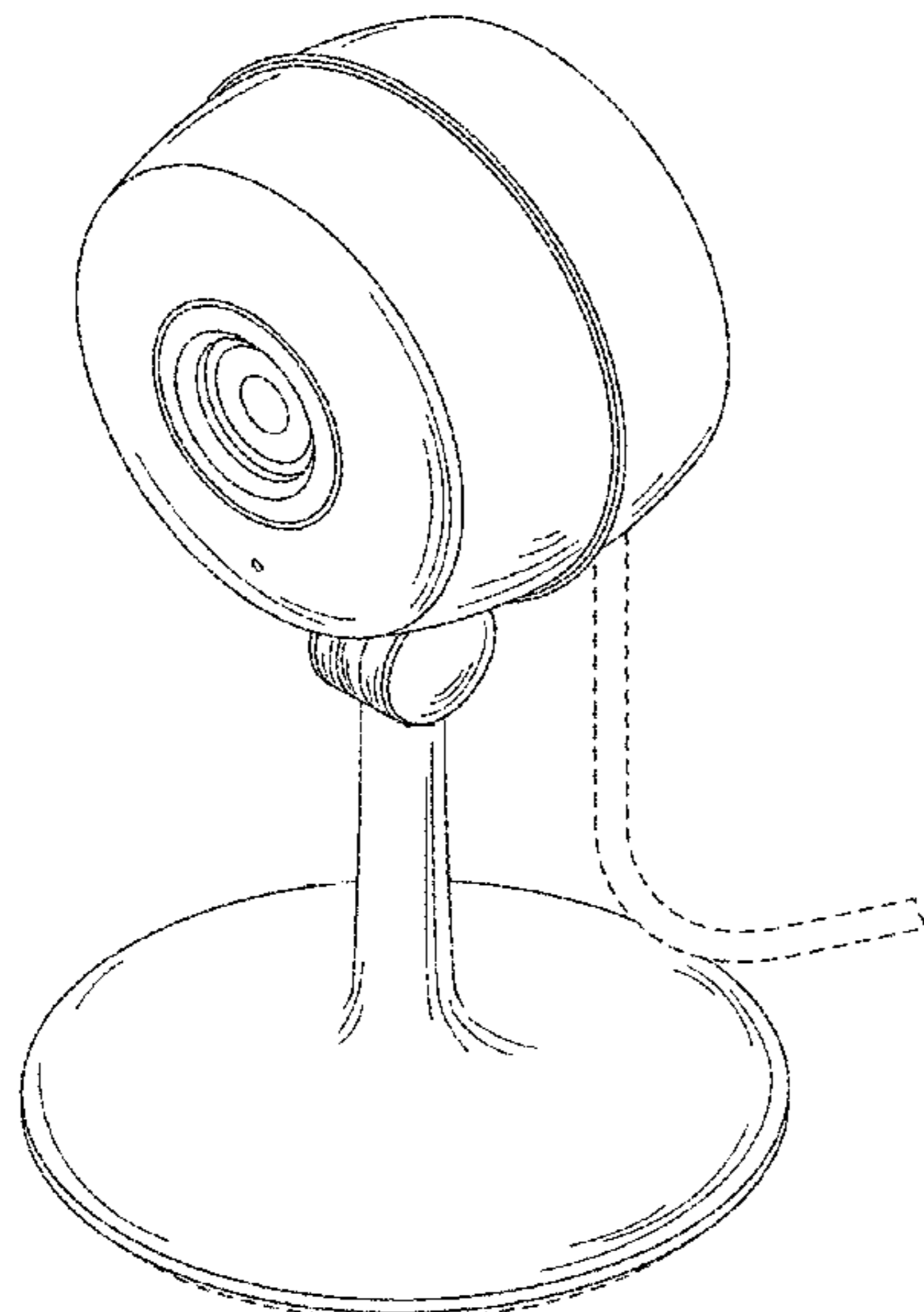
FIG. 5 is a top plan view thereof;

FIG. 6 is a bottom plan view thereof;

FIG. 7 is a front perspective view thereof; and,

FIG. 8 is a back perspective view thereof.

1 Claim, 8 Drawing Sheets



(56)

References Cited

OTHER PUBLICATIONS

“Belkin Netcam vs Samsung SmartCam HD Pro vs Dropcam Pro”, posted at securitygem.com, Oct. 16, 2014, [site visited Aug. 24, 2016]. Available from Internet: <<http://www.securitygem.com/belkin-netcam-vs-samsung-smartcam-hd-pro-vs-dropcam-pro>>.*
Strietelmeier, Julie, “FLIR FX security camera review”, posted at the-gadgeteer.com, Jun. 16, 2015, [site visited Aug. 24, 2016]. Available from Internet: <<http://the-gadgeteer.com/2015/06/16/flir-fx-security-camera-review>>.*

* cited by examiner

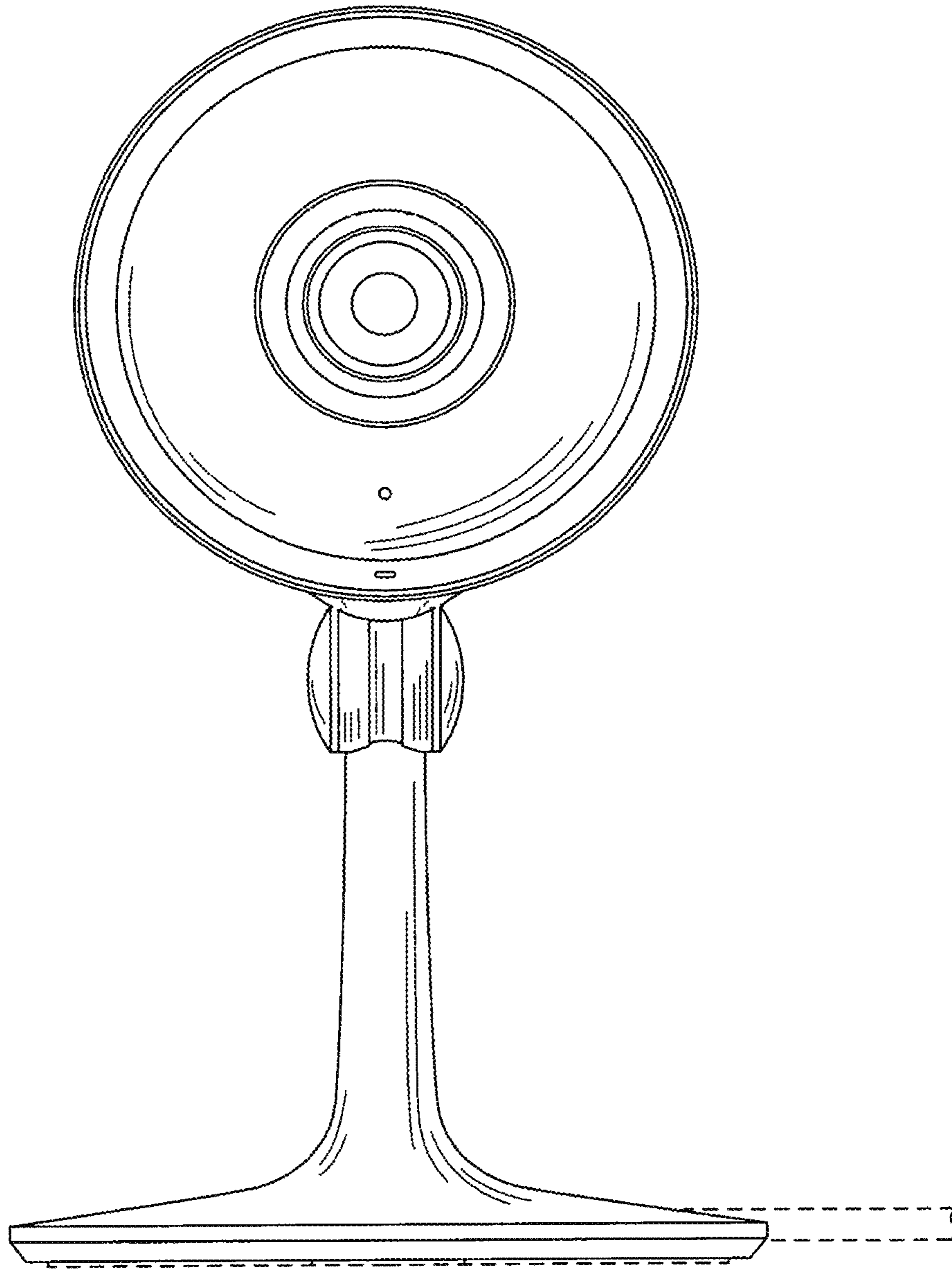


FIG. 1

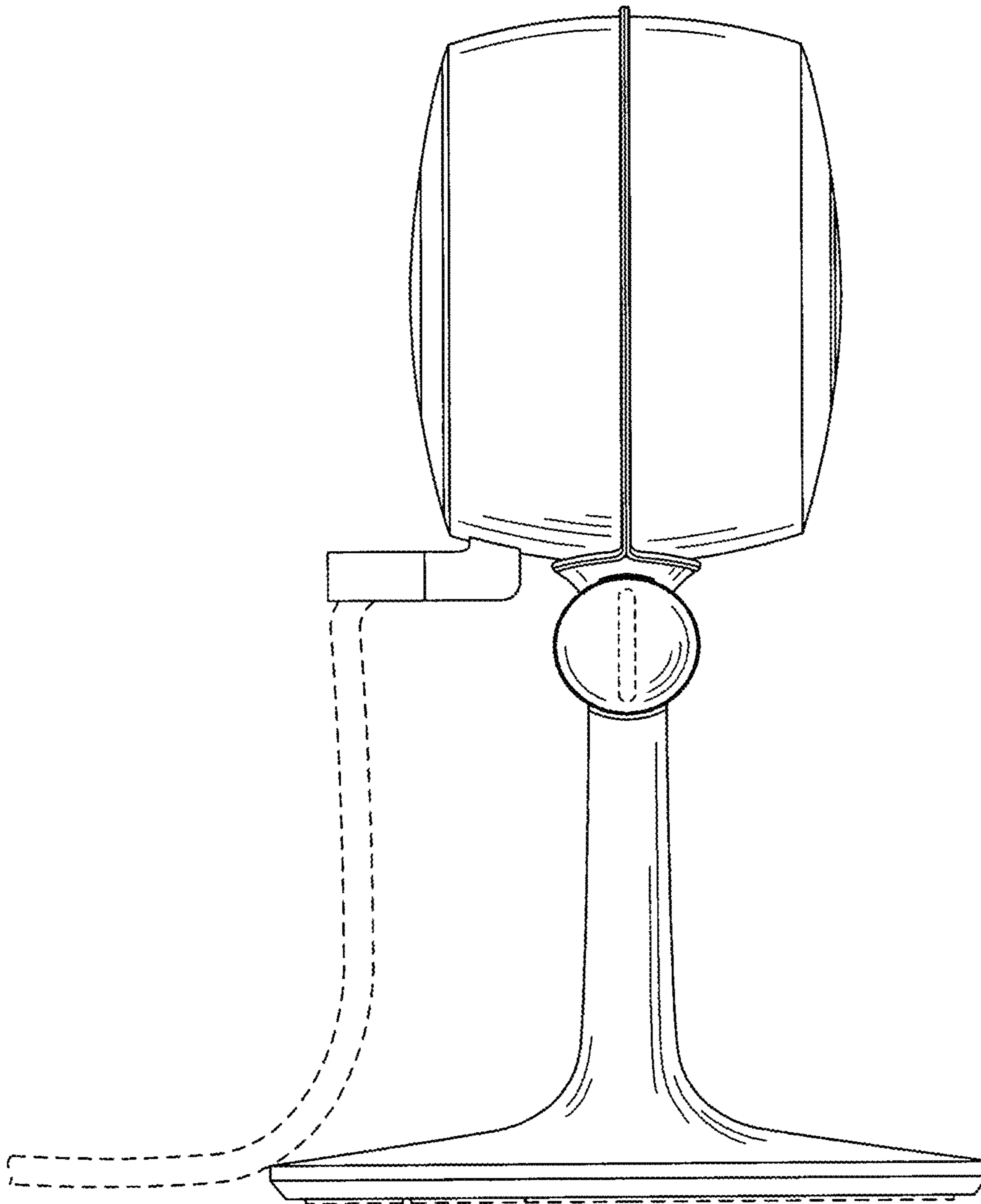


FIG. 2

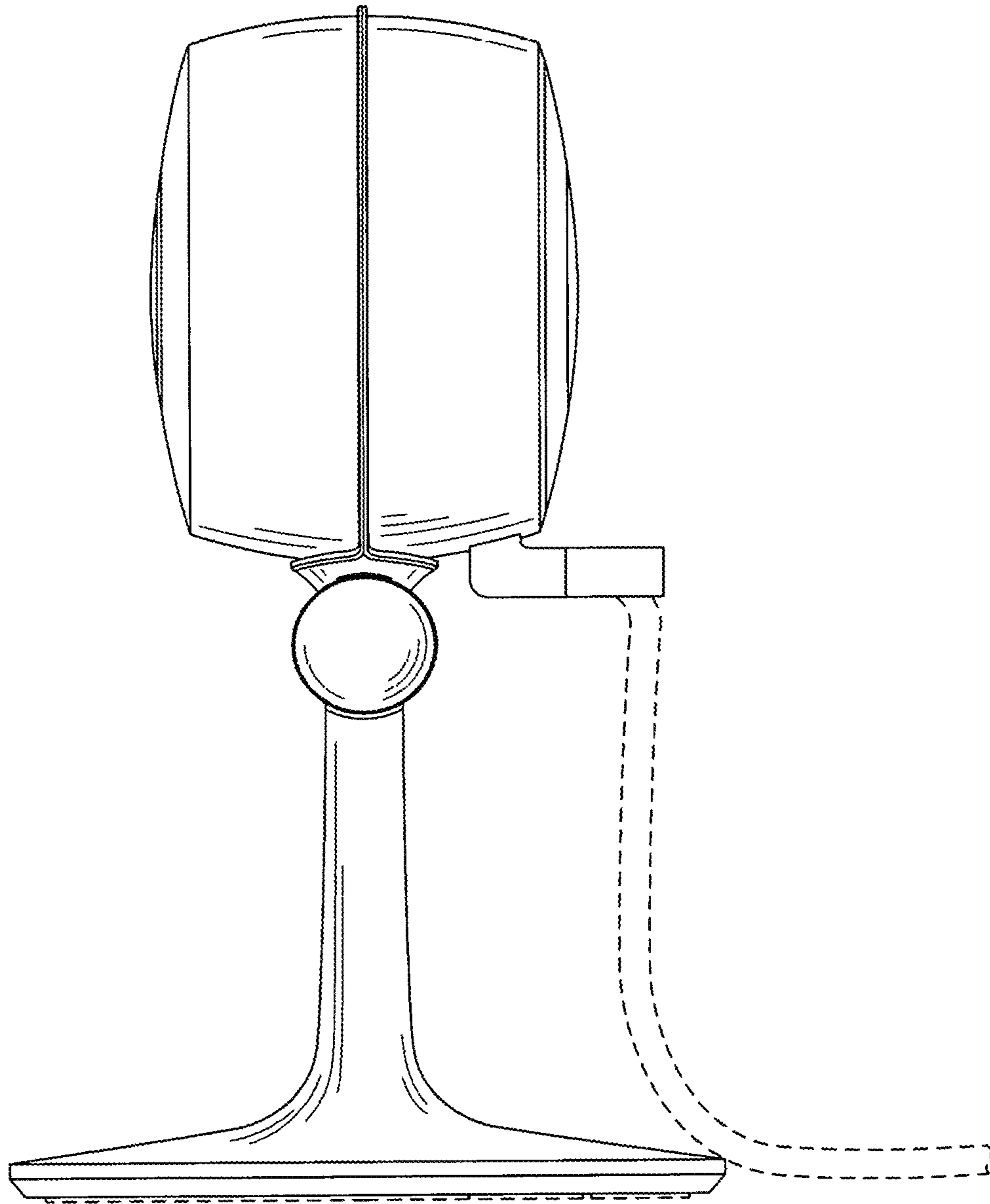


FIG. 3

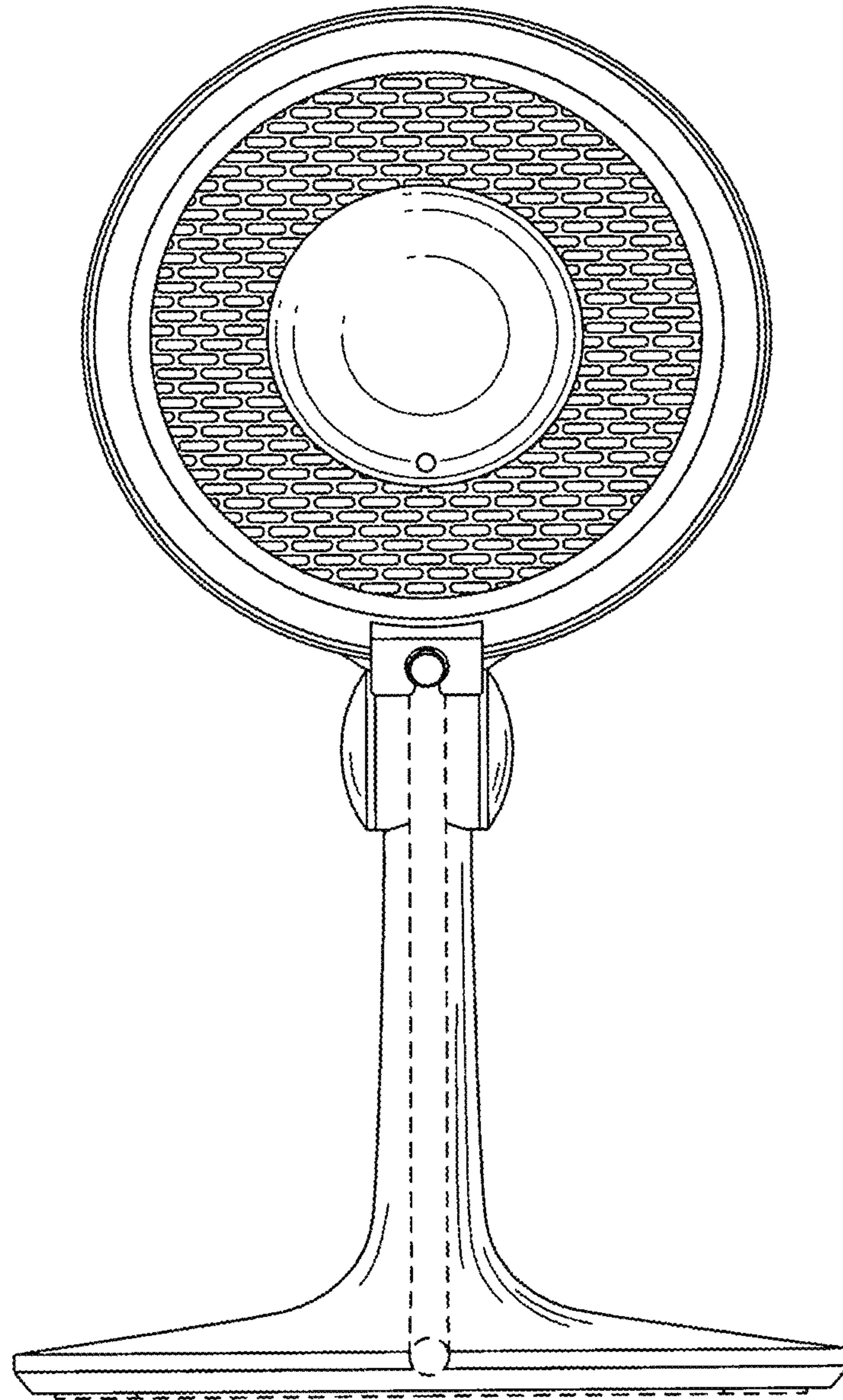


FIG. 4

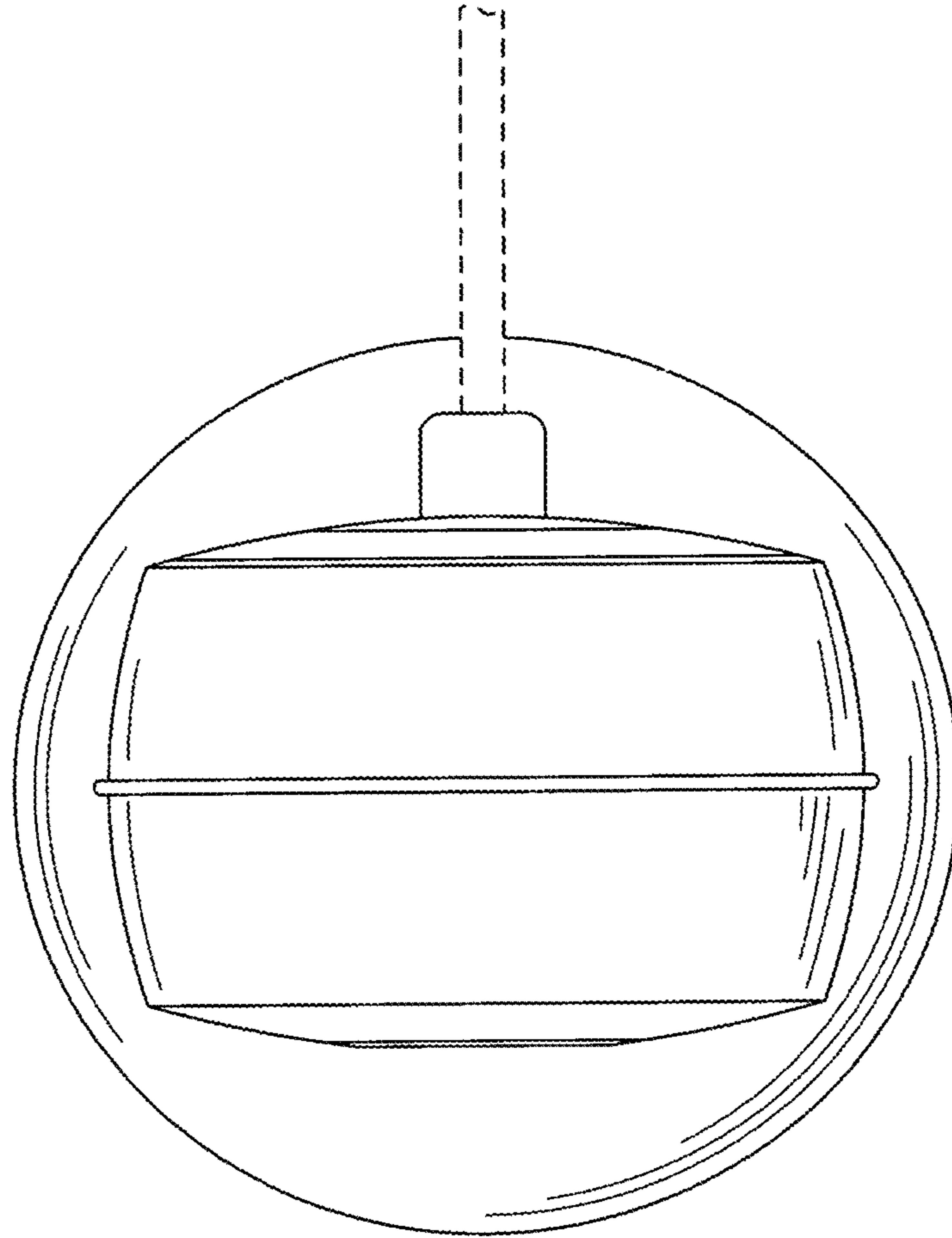


FIG. 5

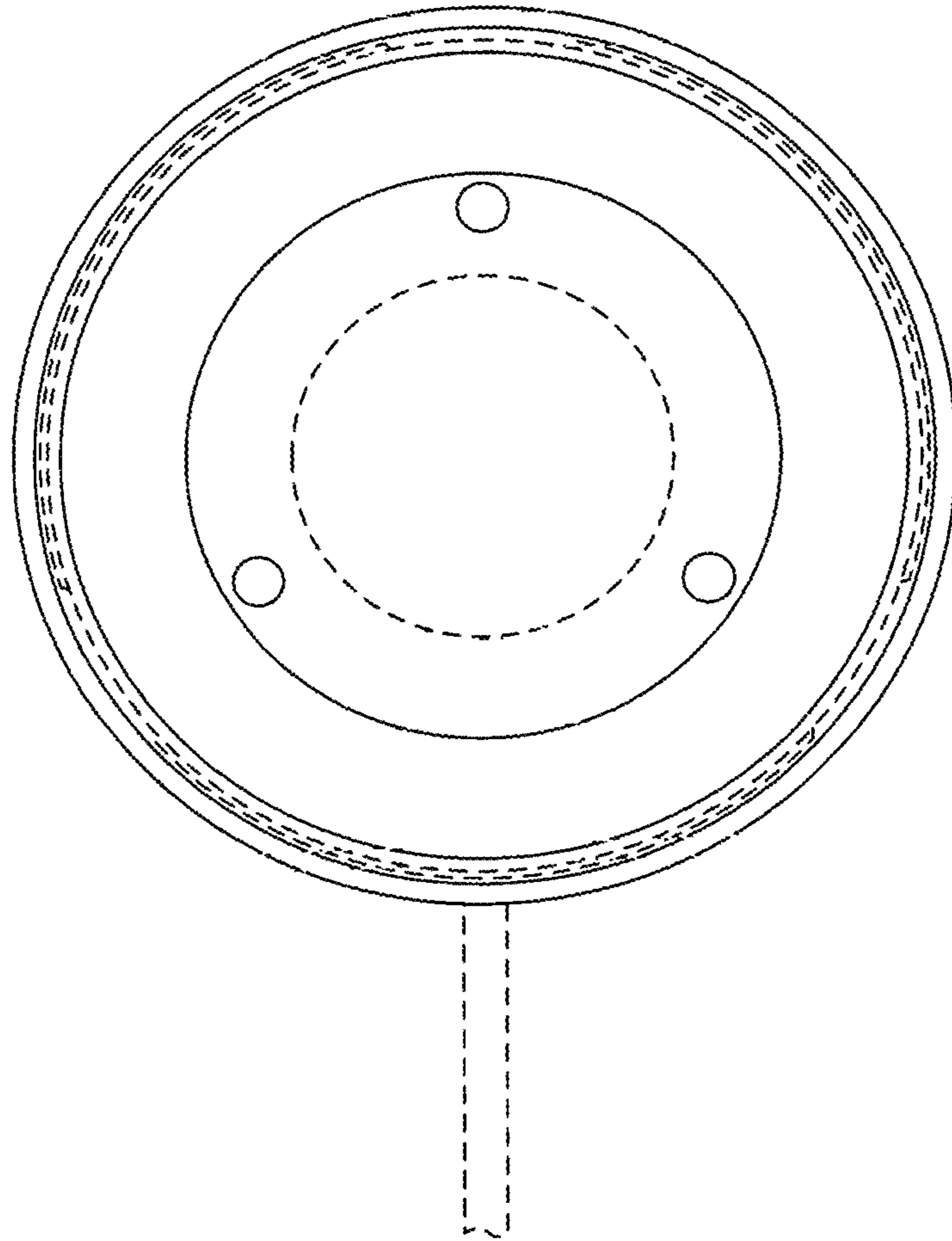


FIG. 6

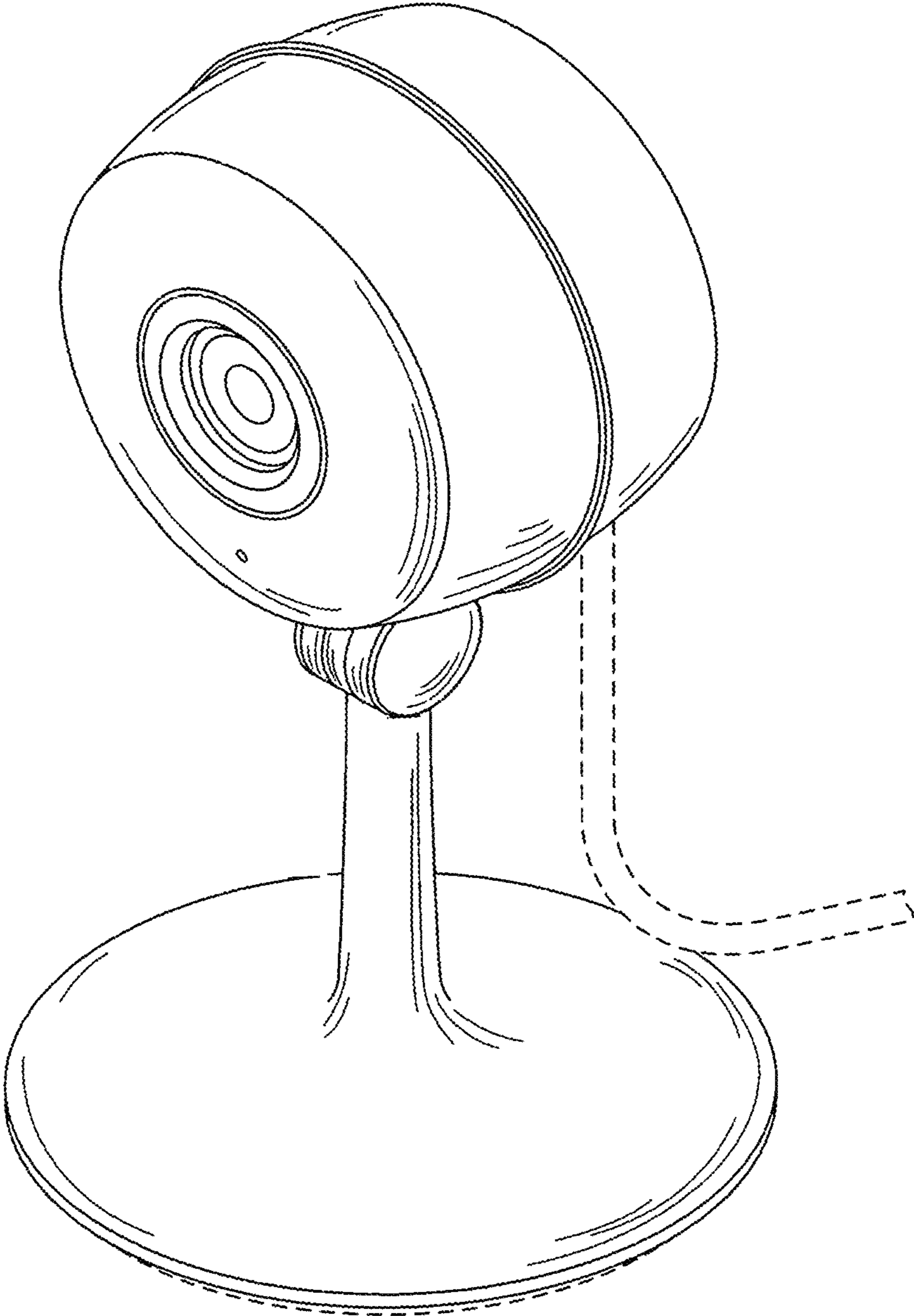


FIG. 7

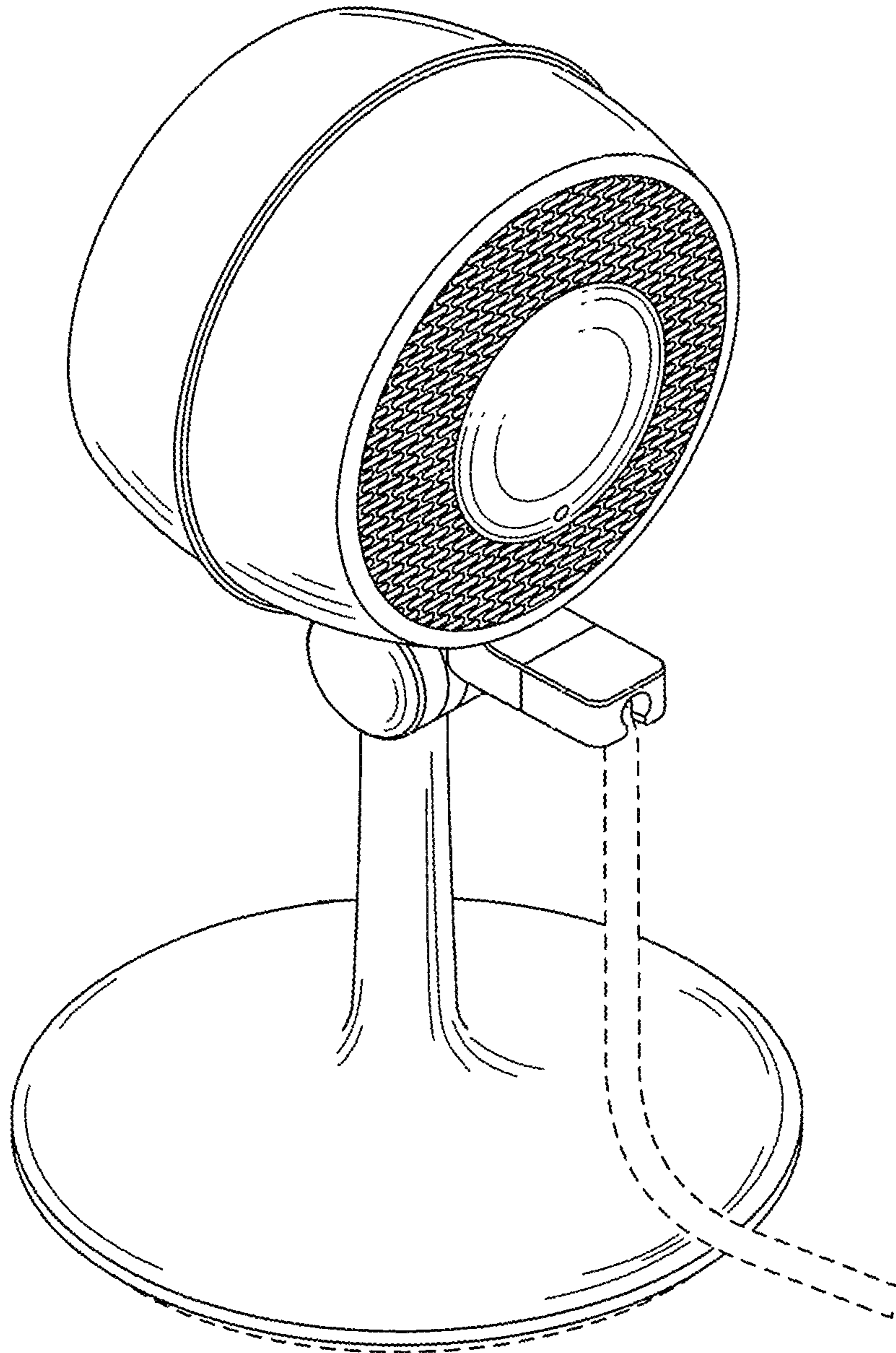


FIG. 8