



US00D785692S

(12) **United States Design Patent** (10) **Patent No.:** **US D785,692 S**
Wang (45) **Date of Patent:** **** May 2, 2017**

(54) **IMAGE CAPTURING DEVICE**
(71) Applicant: **SZ DJI Technology Co., Ltd.**,
Shenzhen (CN)
(72) Inventor: **Zhen Wang**, Shenzhen (CN)
(73) Assignee: **SZI DJI Technology Co., Ltd.**,
Shenzhen (CN)

D432,153 S * 10/2000 Cooper D16/237
D555,689 S * 11/2007 Yoo D16/202
D564,010 S * 3/2008 Dordick D16/242
D564,567 S * 3/2008 Dordick D16/242
D653,692 S * 2/2012 Dordick D16/242
D721,395 S * 1/2015 Woodman D16/218
D754,242 S * 4/2016 Wang D16/242
D771,733 S * 11/2016 Wang D16/242

(Continued)

(**) Term: **15 Years**
(21) Appl. No.: **29/556,288**
(22) Filed: **Feb. 29, 2016**

Related U.S. Application Data

(63) Continuation of application No. 29/479,219, filed on
Jan. 13, 2014, now Pat. No. Des. 754,242.
(51) **LOC (10) Cl.** **16-01**
(52) **U.S. Cl.**
USPC **D16/200**
(58) **Field of Classification Search**
USPC D16/200, 204, 208, 213–219, 235,
D16/237–250
CPC G03B 17/02; G03B 17/04; G03B 17/14;
G03B 17/05; G03B 21/20–21/20666;
G03B 15/041–15/0436; G03B 17/56;
F16M 11/14; F16M 11/16; F16M 11/32
See application file for complete search history.

(56) **References Cited**

U.S. PATENT DOCUMENTS

D121,408 S * 7/1940 Dreyfuss D16/218
3,721,168 A * 3/1973 Noack G03B 7/04
396/293
D292,982 S * 12/1987 Nakatani D16/245
4,955,568 A * 9/1990 O'Connor F16M 11/10
248/183.3
D323,339 S * 1/1992 Ishikawa D16/245
D382,578 S * 8/1997 Cieslikowski D16/200

OTHER PUBLICATIONS

DJI Zenmuse Z15-A7 Sony A7S/A7R Professional Aerial Gimbal.
[online] Published date unknown. Retrieved on Feb. 13, 2017 from
<URL: <https://www.urbantoy.com.au/product/dji-zenmuse-z15-a7-sony-a7s-a7r-professional-aerial-gimbal/>>.*

(Continued)

Primary Examiner — Vy Koenig
Assistant Examiner — Omeed Agilee
(74) *Attorney, Agent, or Firm* — Sterne, Kessler,
Goldstein & Fox P.L.L.C.

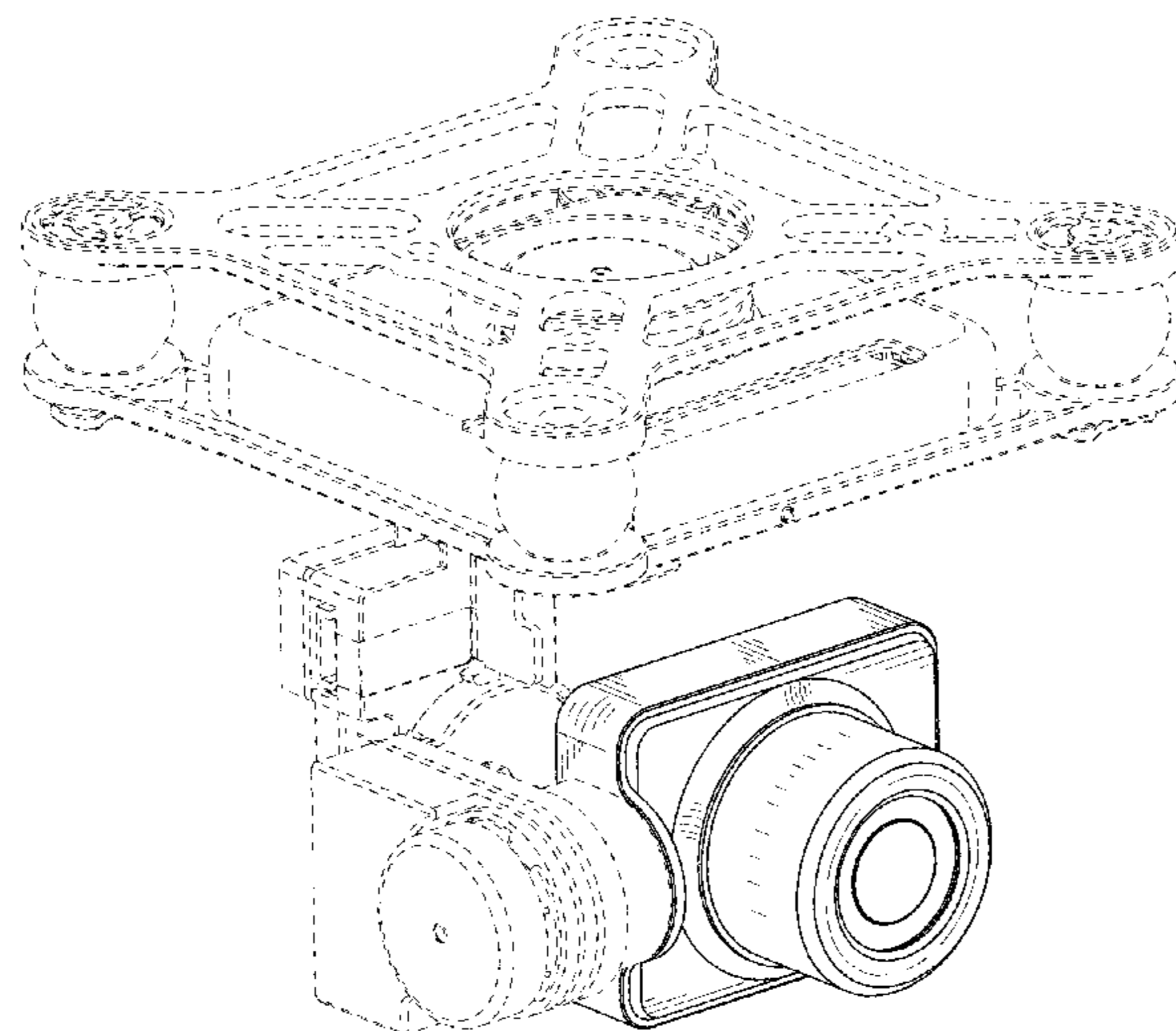
(57) **CLAIM**

The ornamental design for an image capturing device, as
shown and described.

DESCRIPTION

FIG. 1 is a top front perspective view of an image capturing
device showing the claimed design;
FIG. 2 is a front view thereof;
FIG. 3 is a rear view thereof;
FIG. 4 is a left side view thereof;
FIG. 5 is a right side view thereof;
FIG. 6 is a top view thereof; and,
FIG. 7 is a bottom view thereof.
The broken lines in the figures show portions of the image
capturing device and environment that form no part of the
claimed design.

1 Claim, 7 Drawing Sheets



(56)

References Cited

U.S. PATENT DOCUMENTS

2003/0133706 A1* 7/2003 Kume G03B 7/02
396/281
2008/0210025 A1* 9/2008 Goossen F16M 11/041
74/5.34
2011/0145804 A1* 6/2011 Oka G03B 17/14
717/168
2012/0160980 A1* 6/2012 Wang F16M 11/10
248/405
2014/0105589 A1* 4/2014 Samuels F16F 7/00
396/421
2015/0097950 A1* 4/2015 Wang H04N 5/23287
348/144
2016/0327847 A1* 11/2016 Yang B64D 47/08

OTHER PUBLICATIONS

DJI Drops Price on Phantom 3 Pro Models in Advance of Rumored Phantom 4. [online] Published date Feb. 16, 2016. Retrieved on Feb. 16, 2017 from <URL: <http://www.gadgetguru.com/dji-drops-phantom-3-professional/>>.*

* cited by examiner

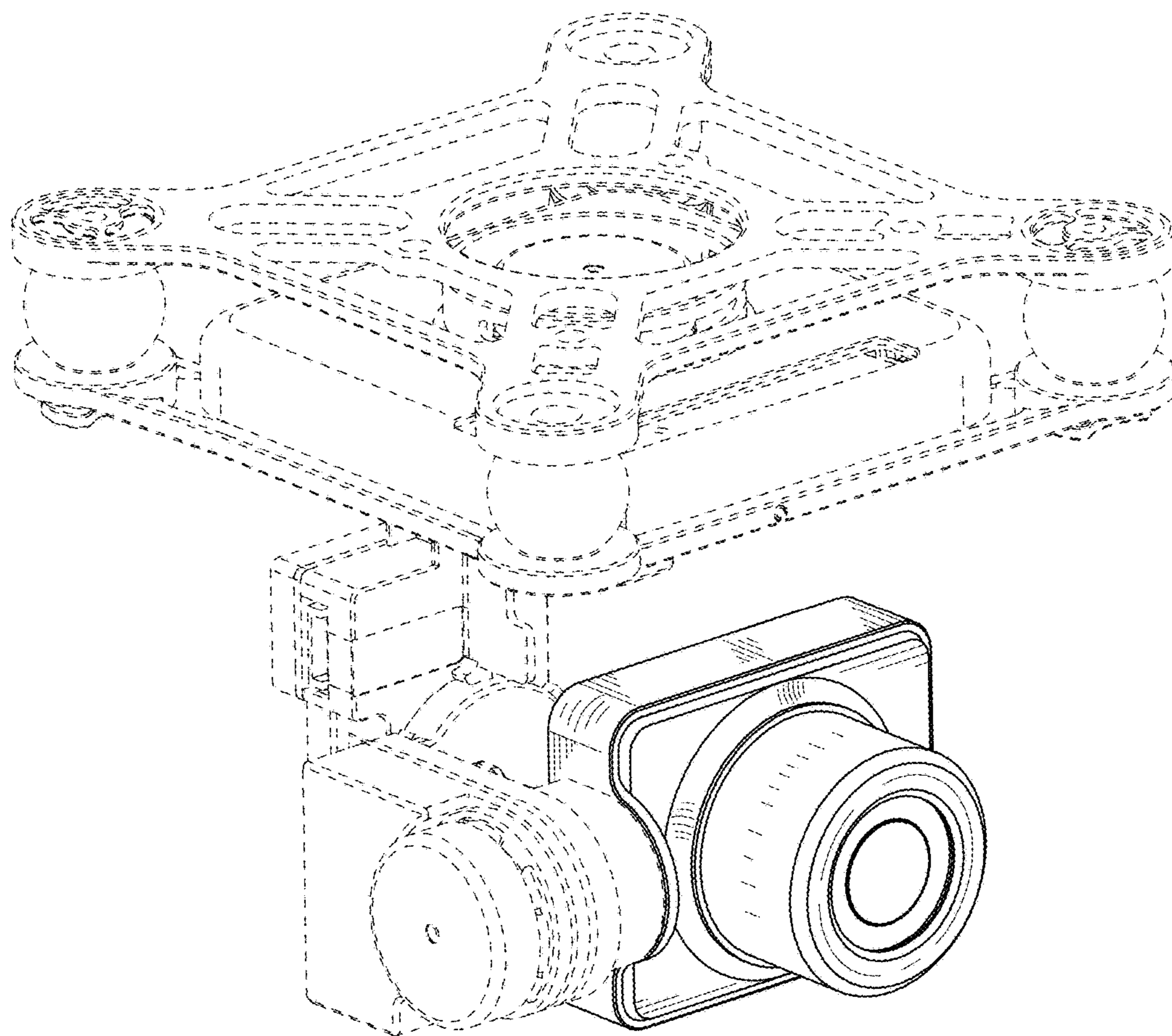


FIG. 1

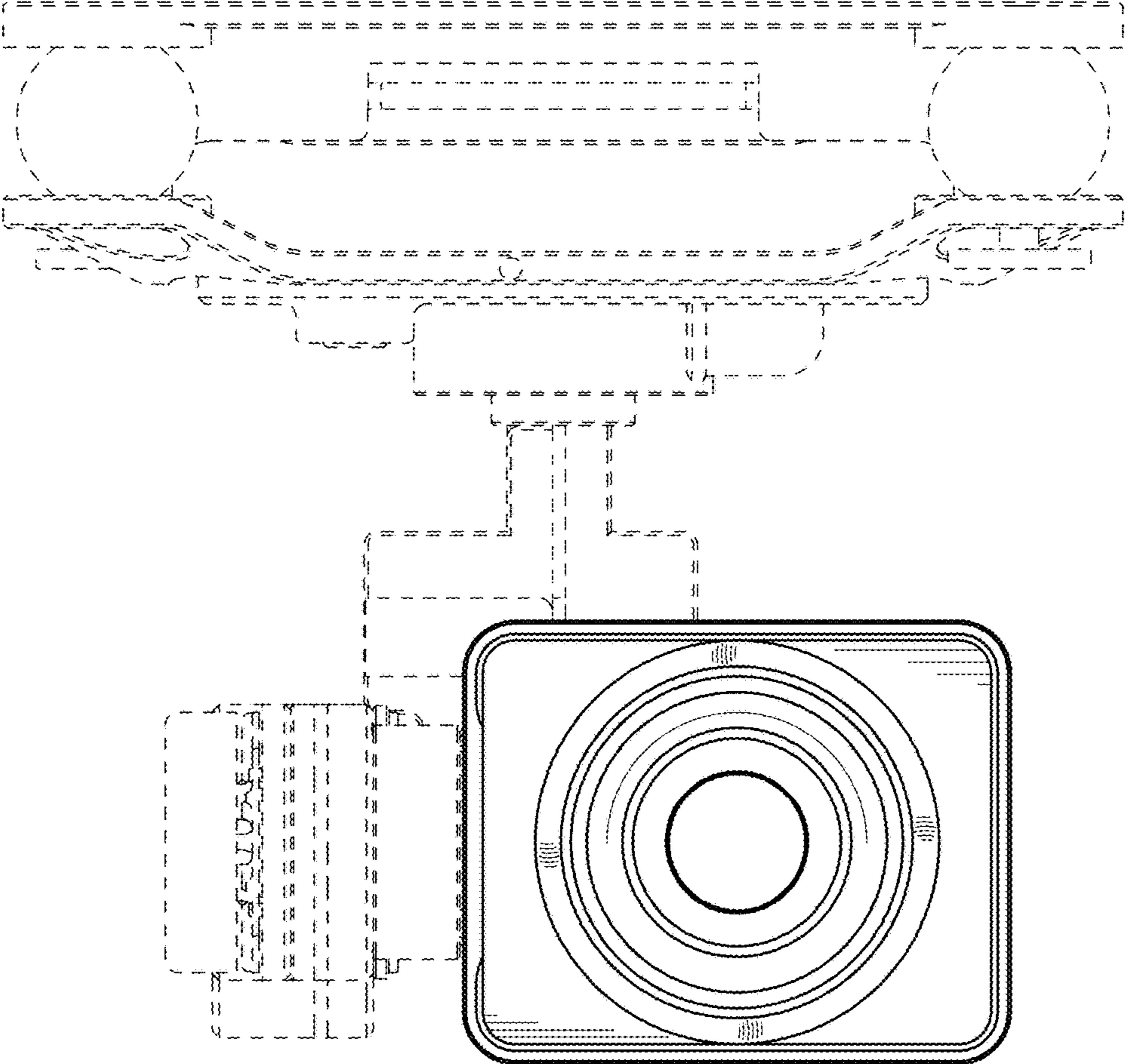


FIG. 2

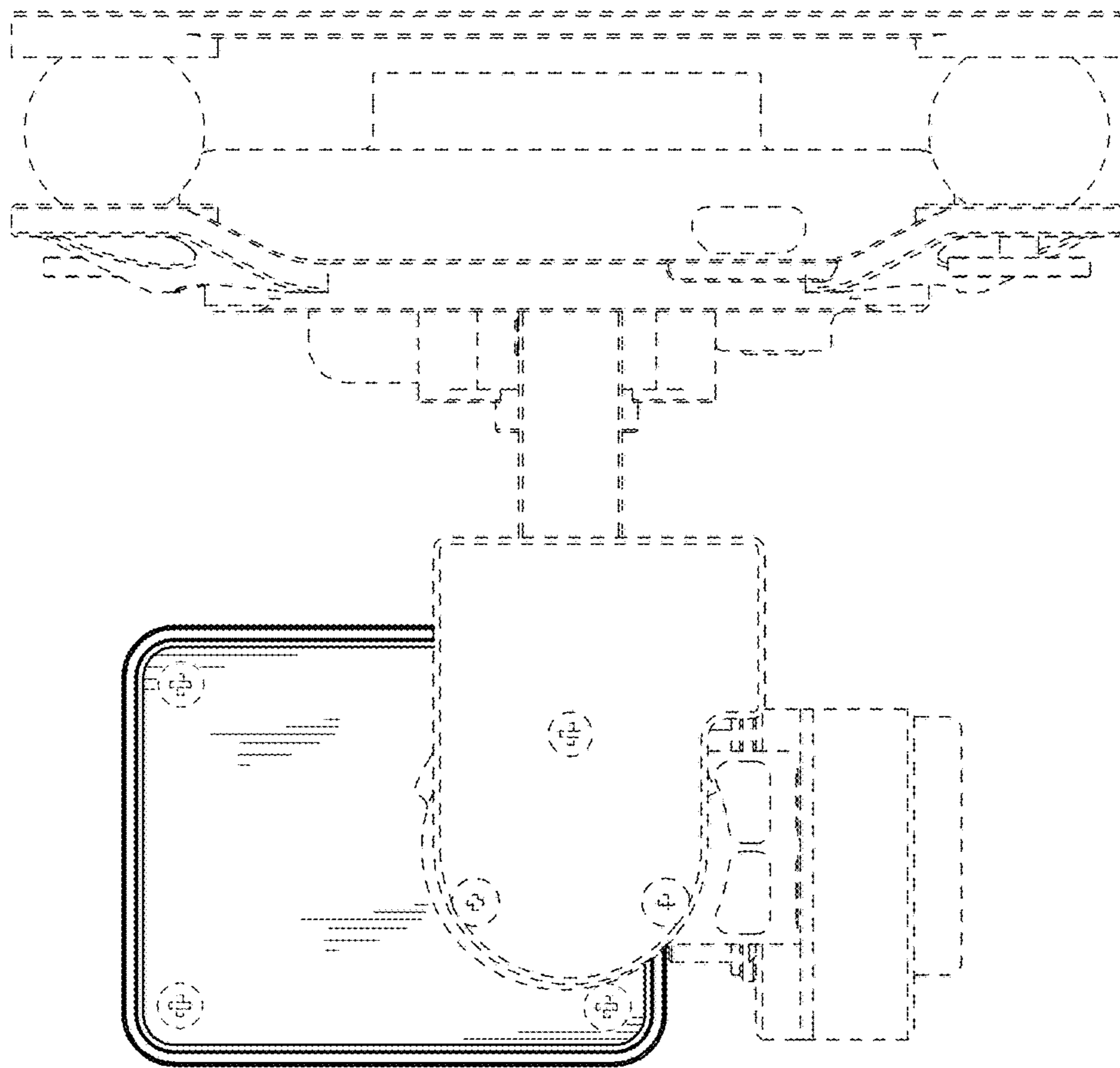


FIG. 3

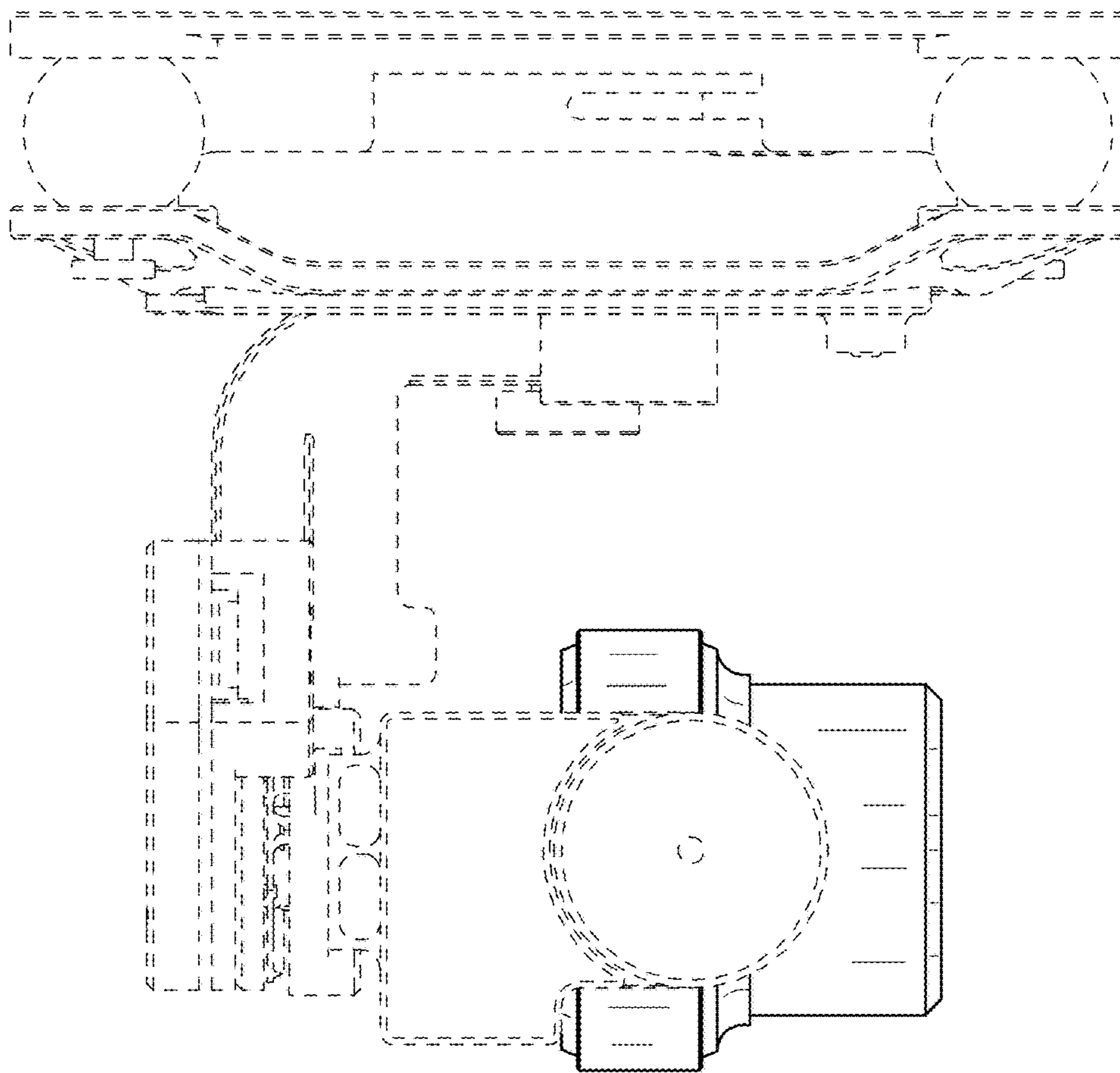


FIG. 4

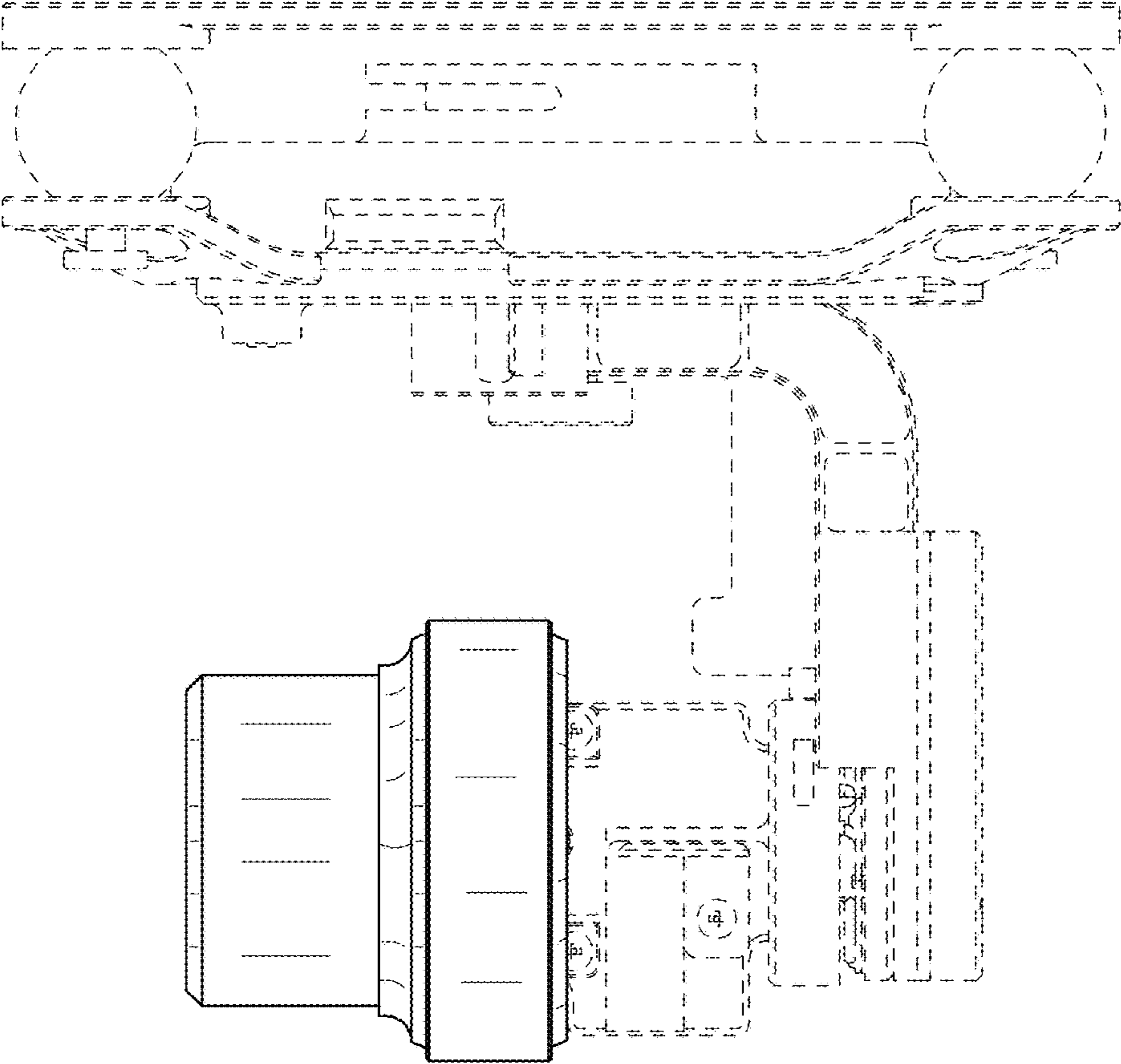


FIG. 5

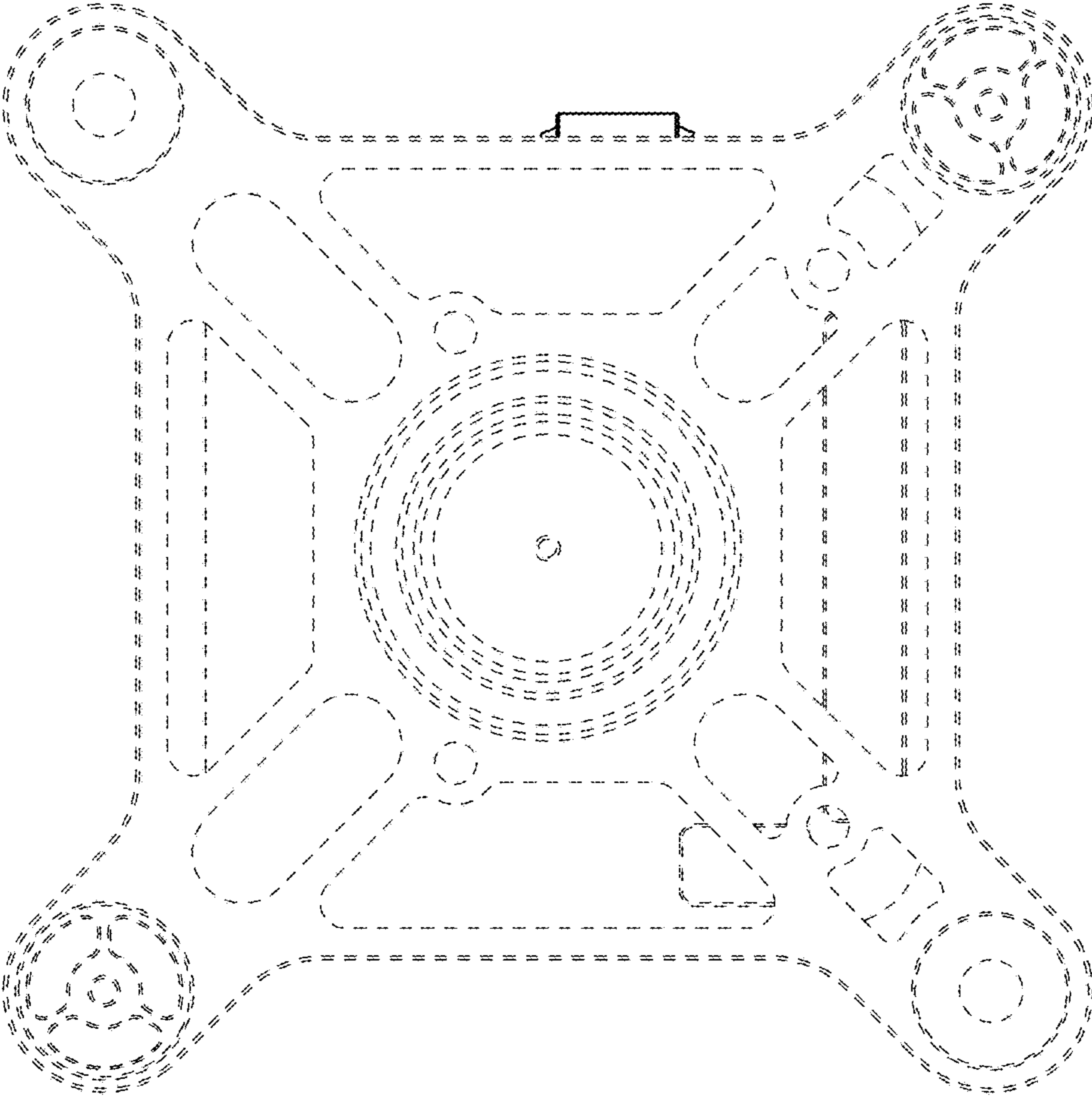


FIG. 6

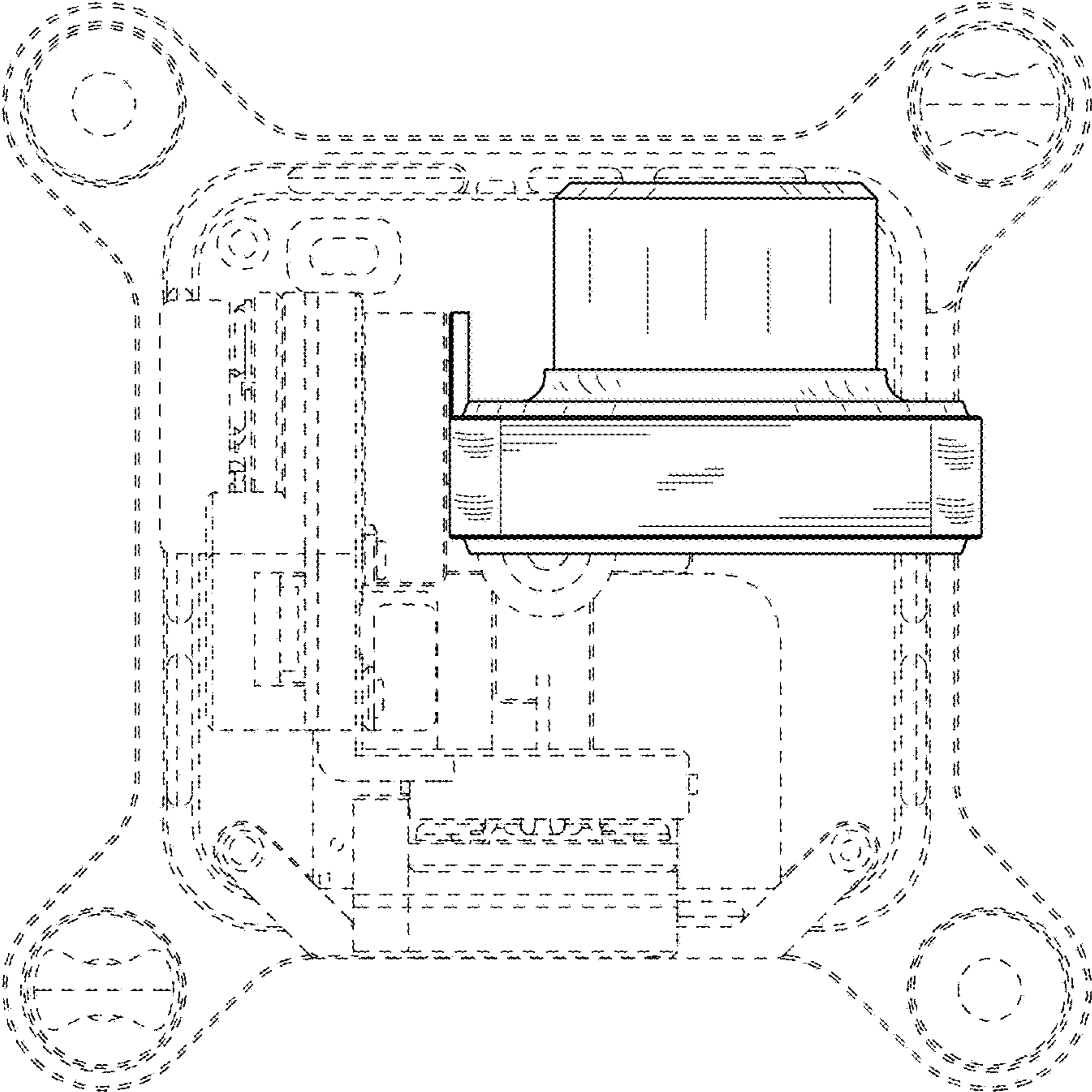


FIG.7

UNITED STATES PATENT AND TRADEMARK OFFICE
CERTIFICATE OF CORRECTION

PATENT NO. : D785,692 S
APPLICATION NO. : 29/556288
DATED : May 2, 2017
INVENTOR(S) : Zhen Wang


Page 1 of 1

It is certified that error appears in the above-identified patent and that said Letters Patent is hereby corrected as shown below:

On the Title Page

In the "Assignee" item (73), change the assignee from "SZ DJI Technology Co., Ltd." to --SZ DJI Osmo Technology Co., Ltd.--.

Signed and Sealed this
Ninth Day of October, 2018



Andrei Iancu
Director of the United States Patent and Trademark Office