



US00D785691S

(12) **United States Design Patent**
Nan

(10) **Patent No.:** **US D785,691 S**

(45) **Date of Patent:** **** May 2, 2017**

(54) **OPTICAL LENS**

(71) Applicant: **Dongguan YEJIA Electronic Technology Co. Ltd, Dongguan (CN)**

(72) Inventor: **Jixue Nan, Dongguan (CN)**

(**) Term: **14 Years**

(21) Appl. No.: **29/507,826**

(22) Filed: **Oct. 31, 2014**

(30) **Foreign Application Priority Data**

May 5, 2014 (CN) 2014 3 0118653

(51) **LOC (10) Cl.** **16-06**

(52) **U.S. Cl.**
USPC **D16/134**

(58) **Field of Classification Search**
USPC 362/249.11, 364, 335, 363; D26/1, 2, 61,
D26/65, 66, 68, 69, 72, 74, 76, 86, 87,
D26/88, 89, 93, 98, 121–125, 128;
D16/130–136, 200, 225, 229
See application file for complete search history.

(56) **References Cited**

U.S. PATENT DOCUMENTS

D260,401 S * 8/1981 Leopoldi D16/135
D367,829 S * 3/1996 Takigawa D10/132
7,081,644 B2 * 7/2006 Flaherty H01L 33/58
257/100
D567,773 S * 4/2008 Kamada D13/180
D575,410 S * 8/2008 Best D25/48.7
D603,438 S * 11/2009 Takishima D16/130

D616,005 S * 5/2010 Peng D16/101
D630,666 S * 1/2011 Matsumoto D16/134
D643,150 S * 8/2011 Chen D26/124
D666,353 S * 8/2012 Lin D26/124
D691,322 S * 10/2013 Tang D26/124
D691,323 S * 10/2013 Tang D26/124
D701,638 S * 3/2014 Inaba D26/124
8,939,618 B2 * 1/2015 Kawahara F21V 5/04
362/311.09
D727,558 S * 4/2015 Tang D26/120
D740,870 S * 10/2015 Park D16/203
D742,447 S * 11/2015 Stark D16/203

* cited by examiner

Primary Examiner — Susan Bennett Hattan

Assistant Examiner — Jennifer Wright

(74) *Attorney, Agent, or Firm* — Prakash Nama; Global IP Services, PLLC

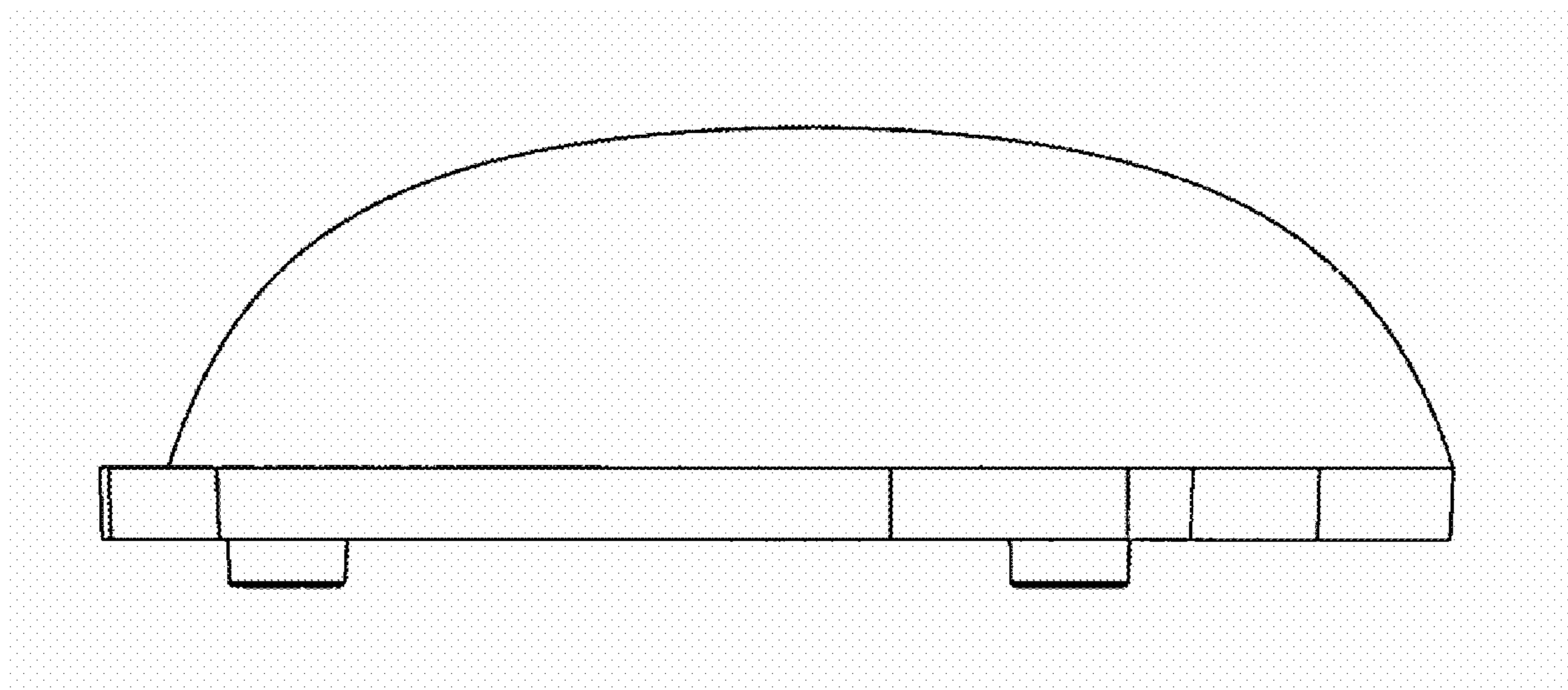
(57) **CLAIM**

The ornamental design for an optical lens, as shown and described.

DESCRIPTION

FIG. 1 is a front elevational view of an optical lens showing my new design;
FIG. 2 is a rear elevational view thereof;
FIG. 3 is a left side view thereof;
FIG. 4 is a right side view thereof;
FIG. 5 is a top plan view thereof;
FIG. 6 is a bottom plan view thereof; and,
FIG. 7 is a perspective view thereof.
The broken lines in the figures depict portions of the optical Lens that form no part of the claimed design.

1 Claim, 4 Drawing Sheets



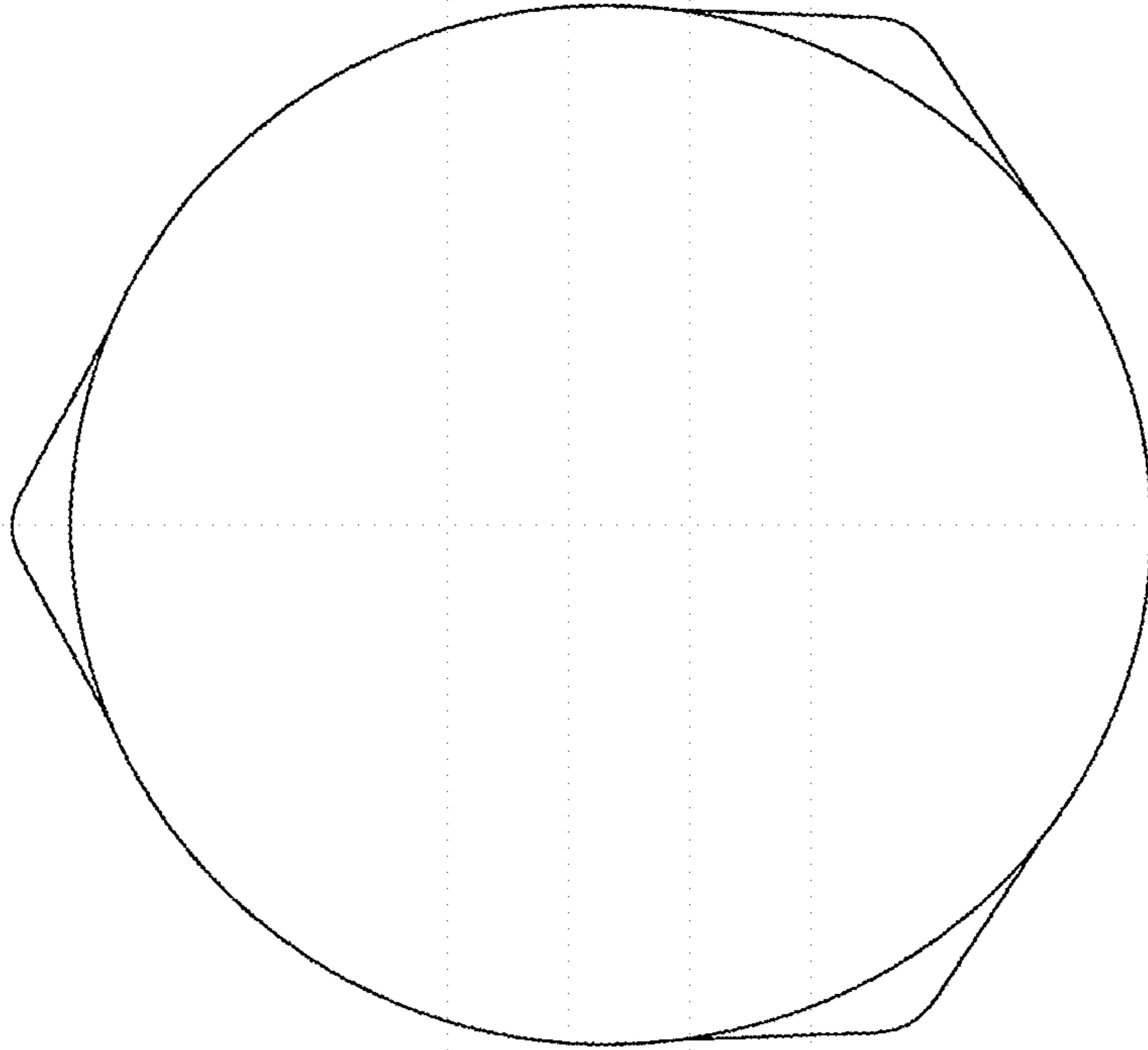


FIG. 1

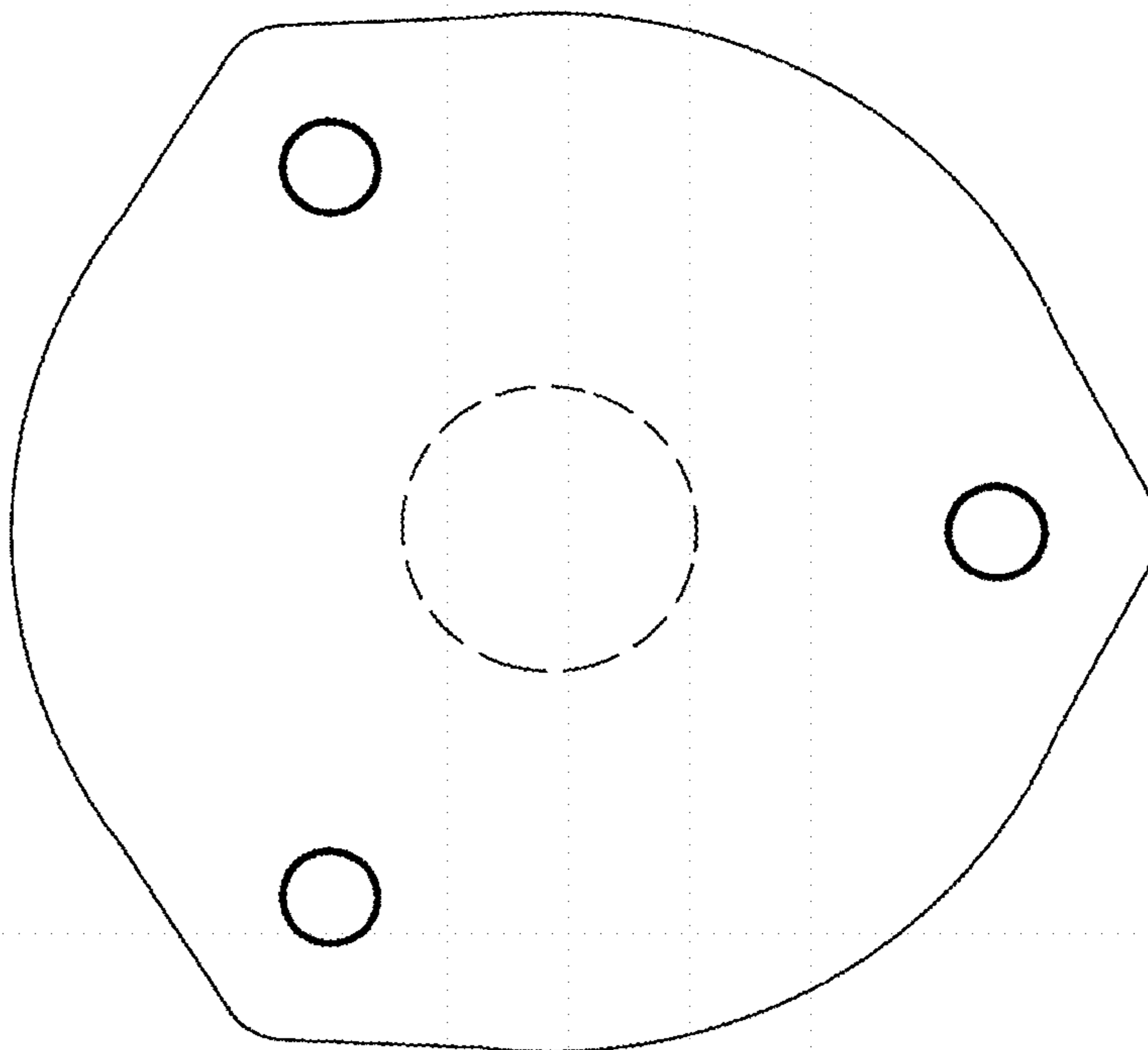


FIG. 2

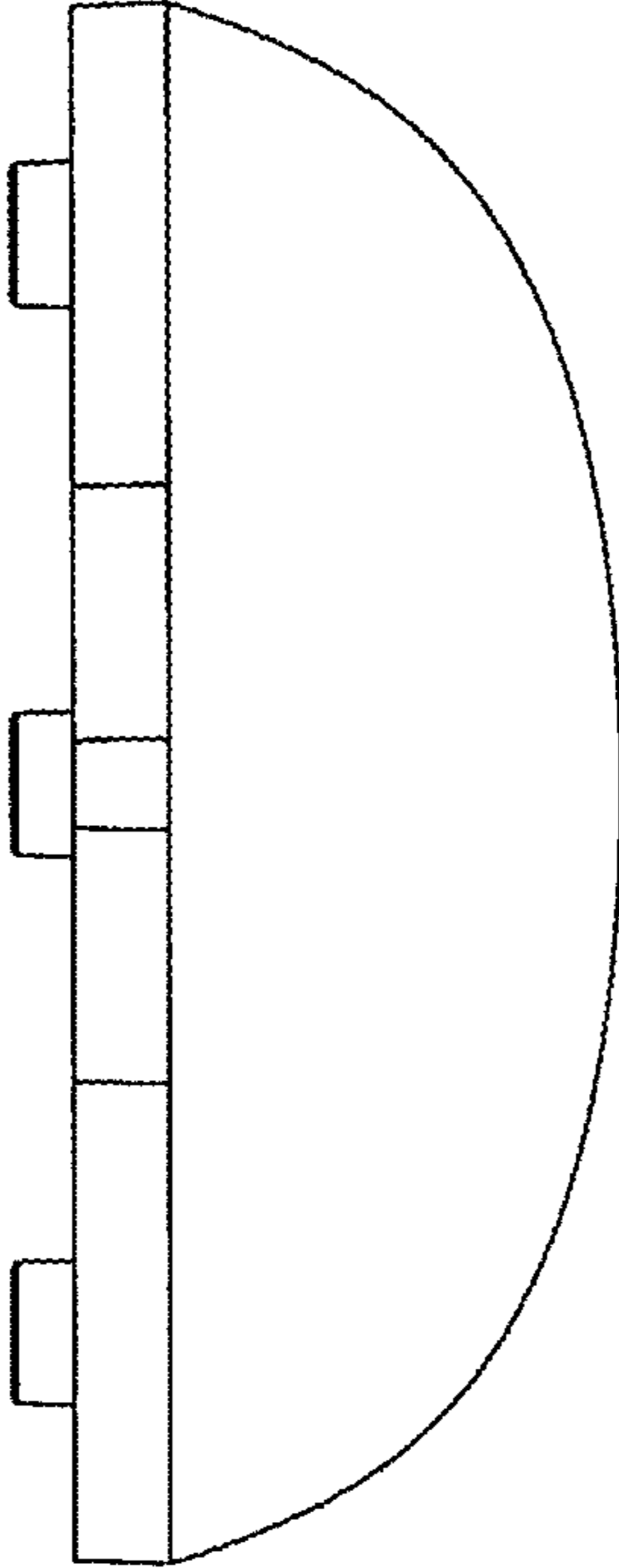


FIG. 3

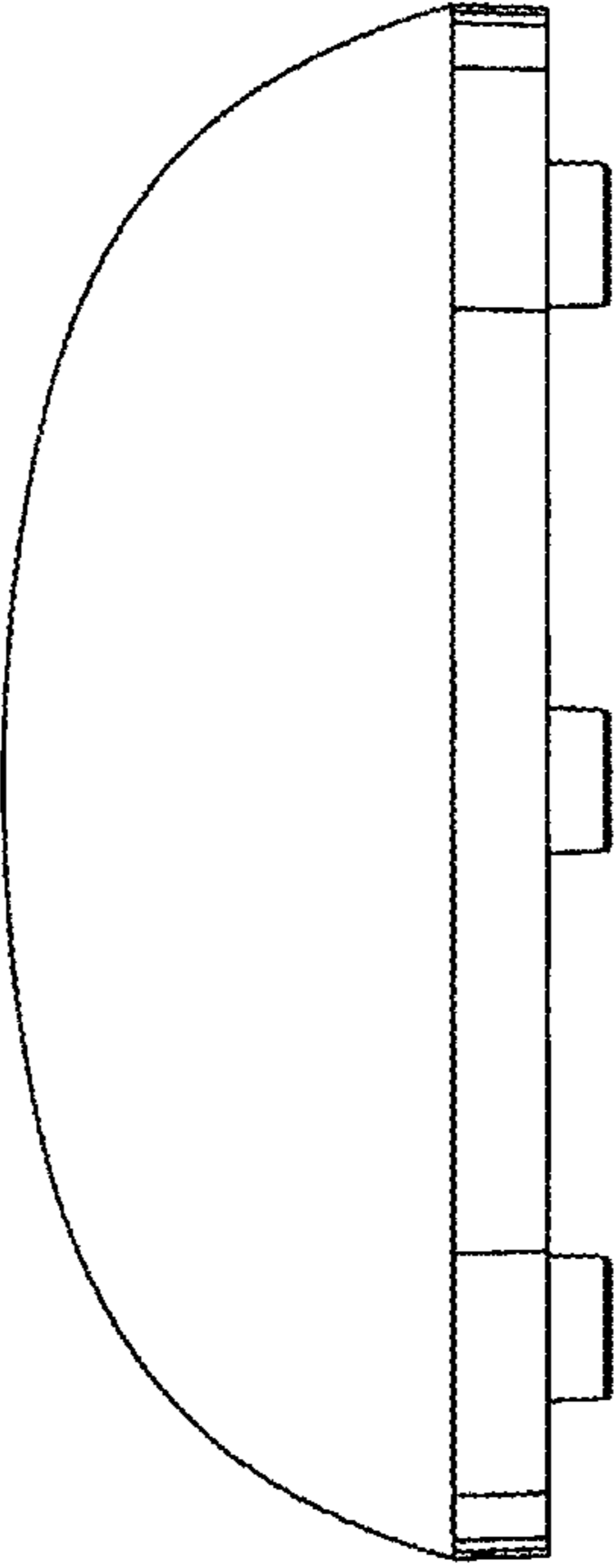


FIG. 4

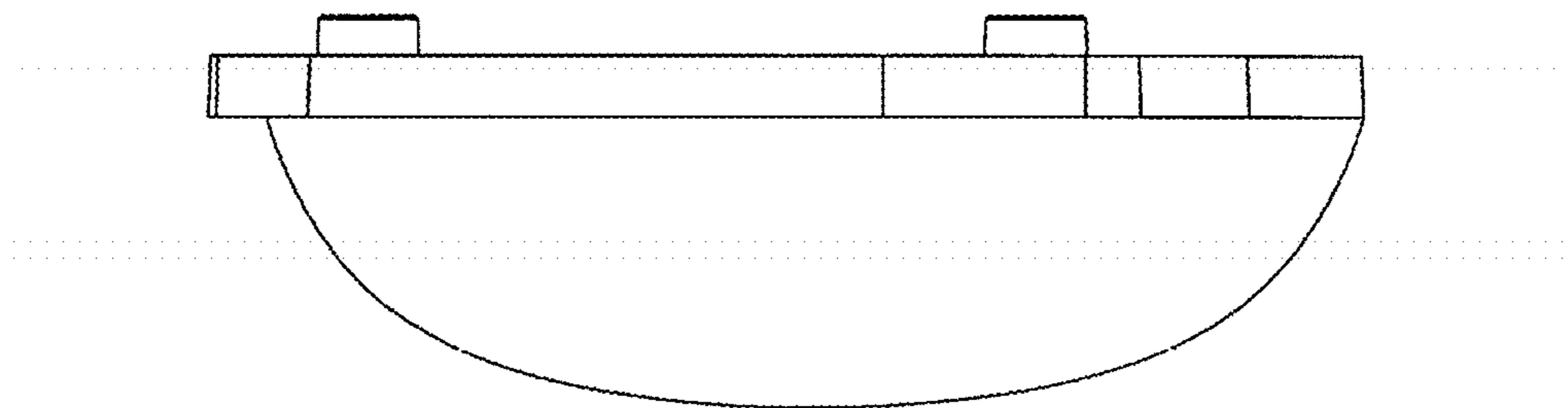


FIG. 5

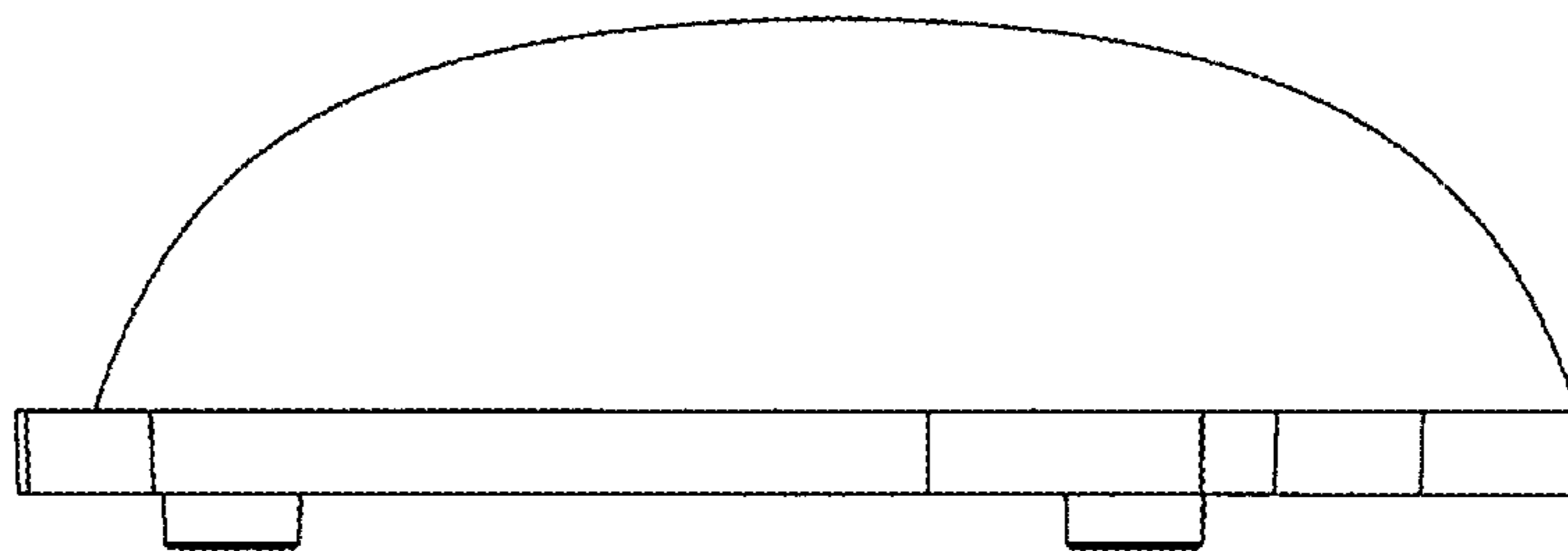


FIG. 6



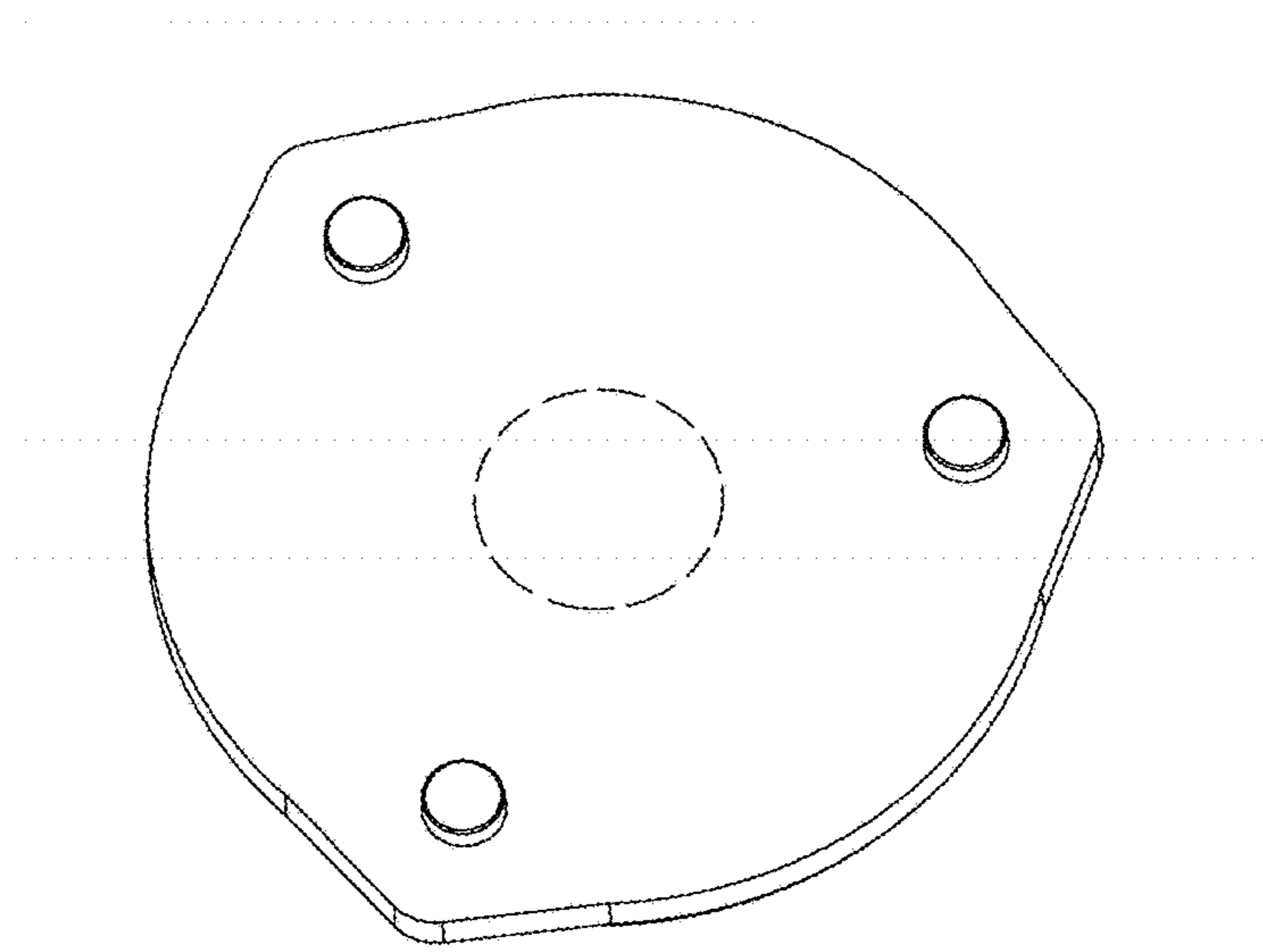


FIG. 7