



US00D785690S

(12) **United States Design Patent** (10) **Patent No.:** **US D785,690 S**
Klein et al. (45) **Date of Patent:** **** May 2, 2017**

(54) **MICROSCOPE HOUSING**

D664,174 S * 7/2012 Tanaka D16/131
D771,169 S * 11/2016 Weber D16/131
2015/0253561 A1* 9/2015 Lee G02B 21/365
348/80

(71) Applicant: **LIFE TECHNOLOGIES CORPORATION**, Carlsbad, CA (US)

* cited by examiner

(72) Inventors: **Sandro Klein**, Irvine, CA (US); **Josh Mead**, San Diego, CA (US); **Lance Hussey**, Thousand Oaks, CA (US)

Primary Examiner — Sheryl Lane
Assistant Examiner — Calvin E Vansant

(73) Assignee: **LIFE TECHNOLOGIES CORPORATION**, Carlsbad, CA (US)

(57) **CLAIM**

The ornamental design for a microscope housing, as shown and described.

(**) Term: **15 Years**

DESCRIPTION

(21) Appl. No.: **29/558,208**

FIG. 1 is a perspective view of a microscope housing of our new design.

(22) Filed: **Mar. 16, 2016**

FIG. 2 is a front view of a microscope housing of our new design.

(51) **LOC (10) Cl.** **16-06**

FIG. 3 is a rear view of a microscope housing of our new design.

(52) **U.S. Cl.**
USPC **D16/131**

FIG. 4 is a right side view of a microscope housing of our new design.

(58) **Field of Classification Search**
USPC D16/130, 131, 134, 136, 137, 219, 235,
D16/237; D26/120, 124
CPC G02B 21/004; G02B 21/008; G02B 21/0088;
G02B 21/20; G02B 21/22; G02B 21/24
See application file for complete search history.

FIG. 5 is a left side view of a microscope housing of our new design.

FIG. 6 is a top view of a microscope housing of our new design,

(56) **References Cited**

U.S. PATENT DOCUMENTS

D252,276 S * 7/1979 Griffith D16/131
D260,402 S * 8/1981 Hodgson D16/131
D261,397 S * 10/1981 Speaker D16/131
4,337,991 A * 7/1982 Benajam G02B 21/24
359/391
D290,129 S * 6/1987 Kahute D16/131
D354,761 S * 1/1995 Komatsuzaki D16/131
D429,265 S * 8/2000 Holbl D16/131

FIG. 7 is a bottom view of a microscope housing of our new design.

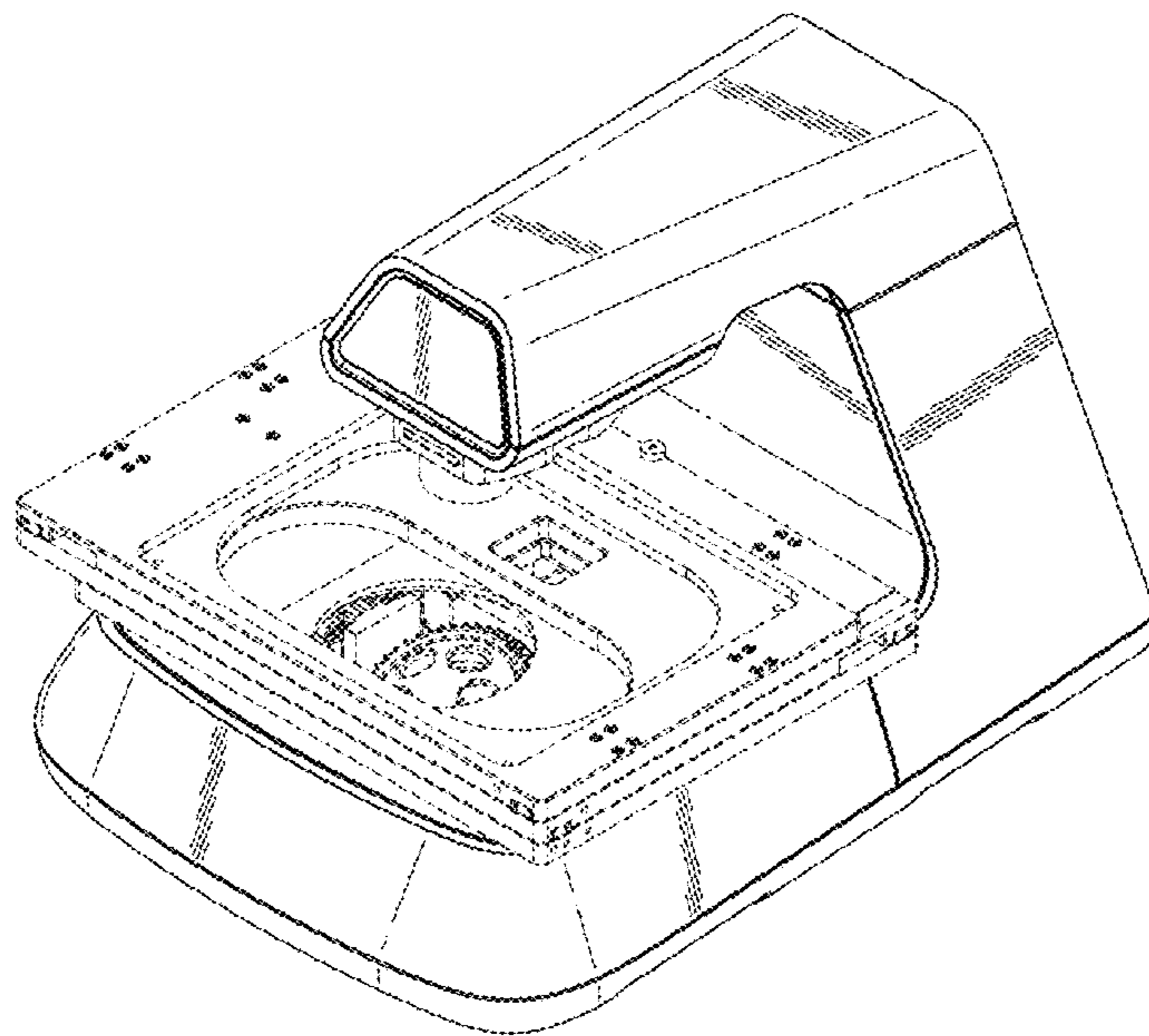
FIG. 8 is a left shifted stage perspective view of a microscope housing of our new design.

FIG. 9 is a forward shifted stage perspective view of a microscope housing of our new design; and,

FIG. 10 is a left and forward shifted stage perspective view of a microscope housing of our new design.

The broken lines represent portions of the microscope housing and for no part of the claimed design.

1 Claim, 10 Drawing Sheets



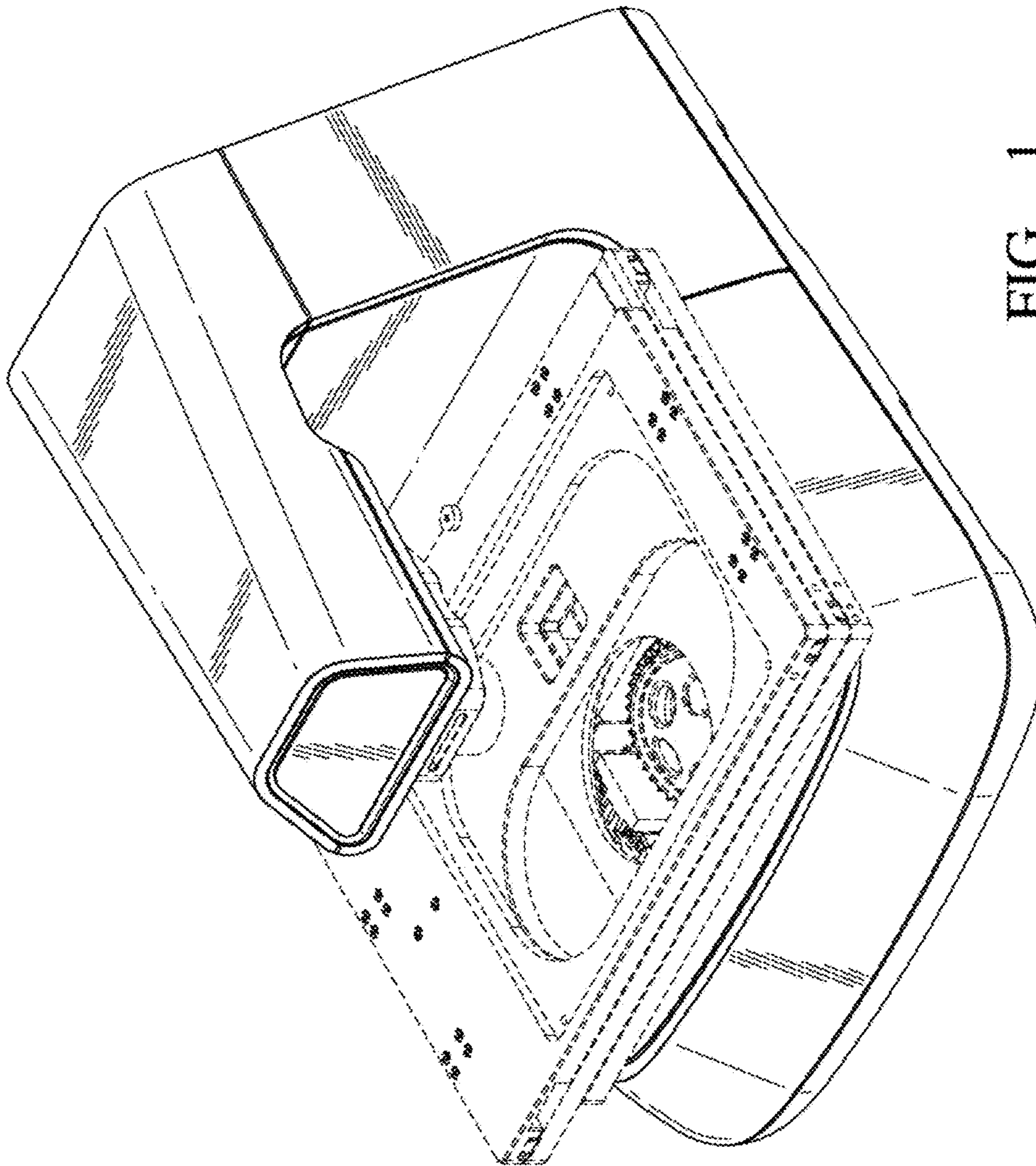


FIG. 1

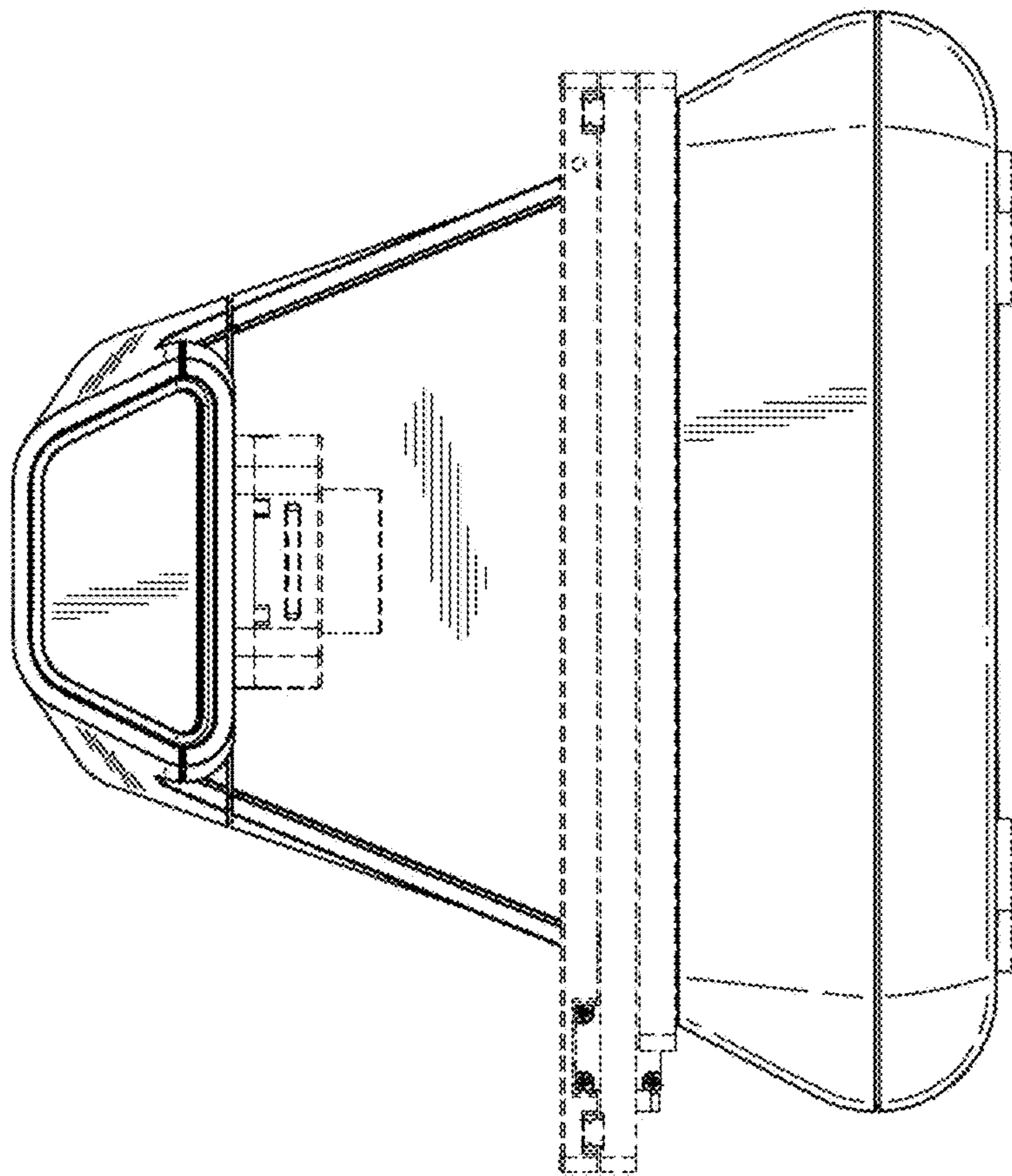


FIG. 2

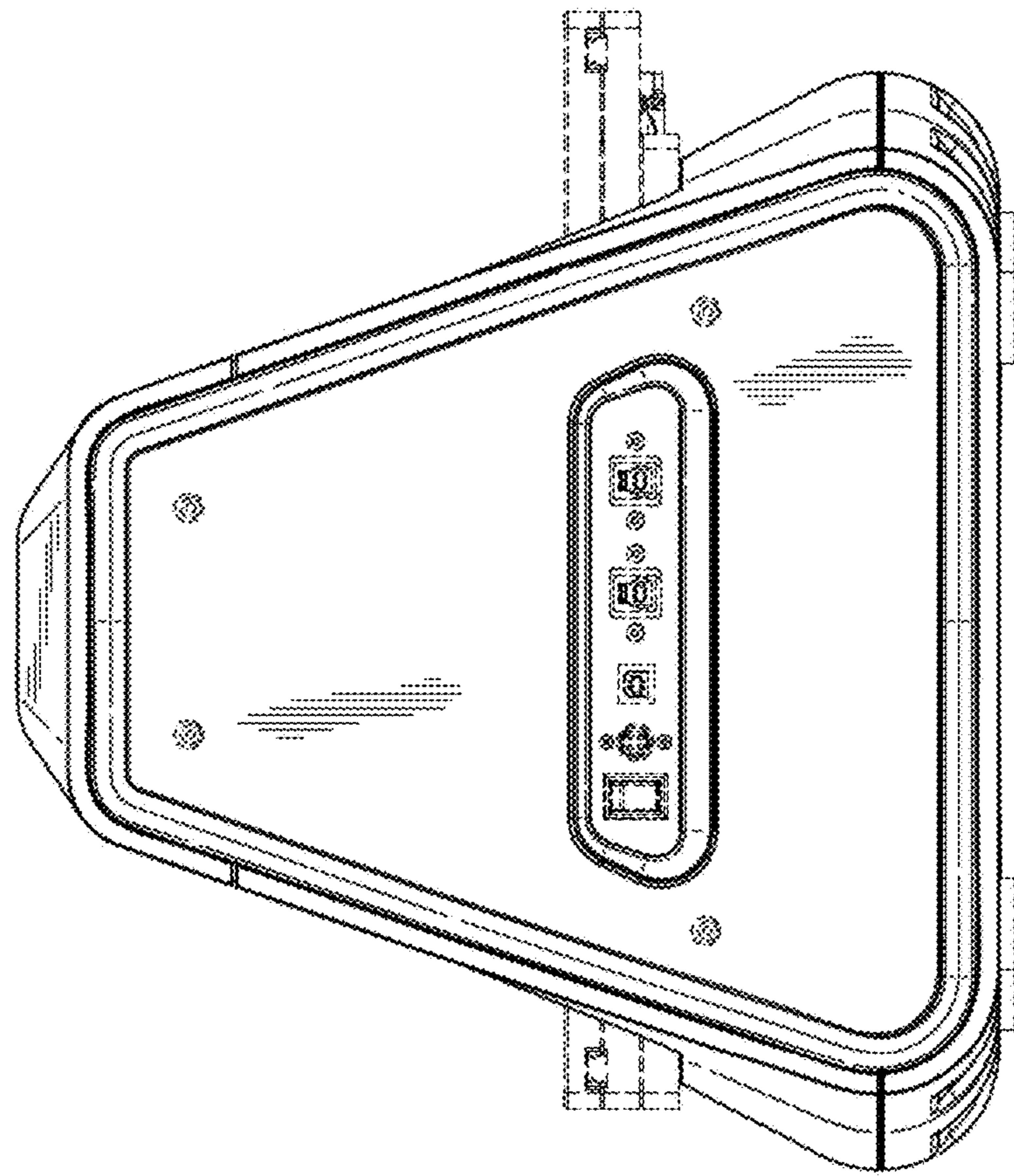


FIG. 3

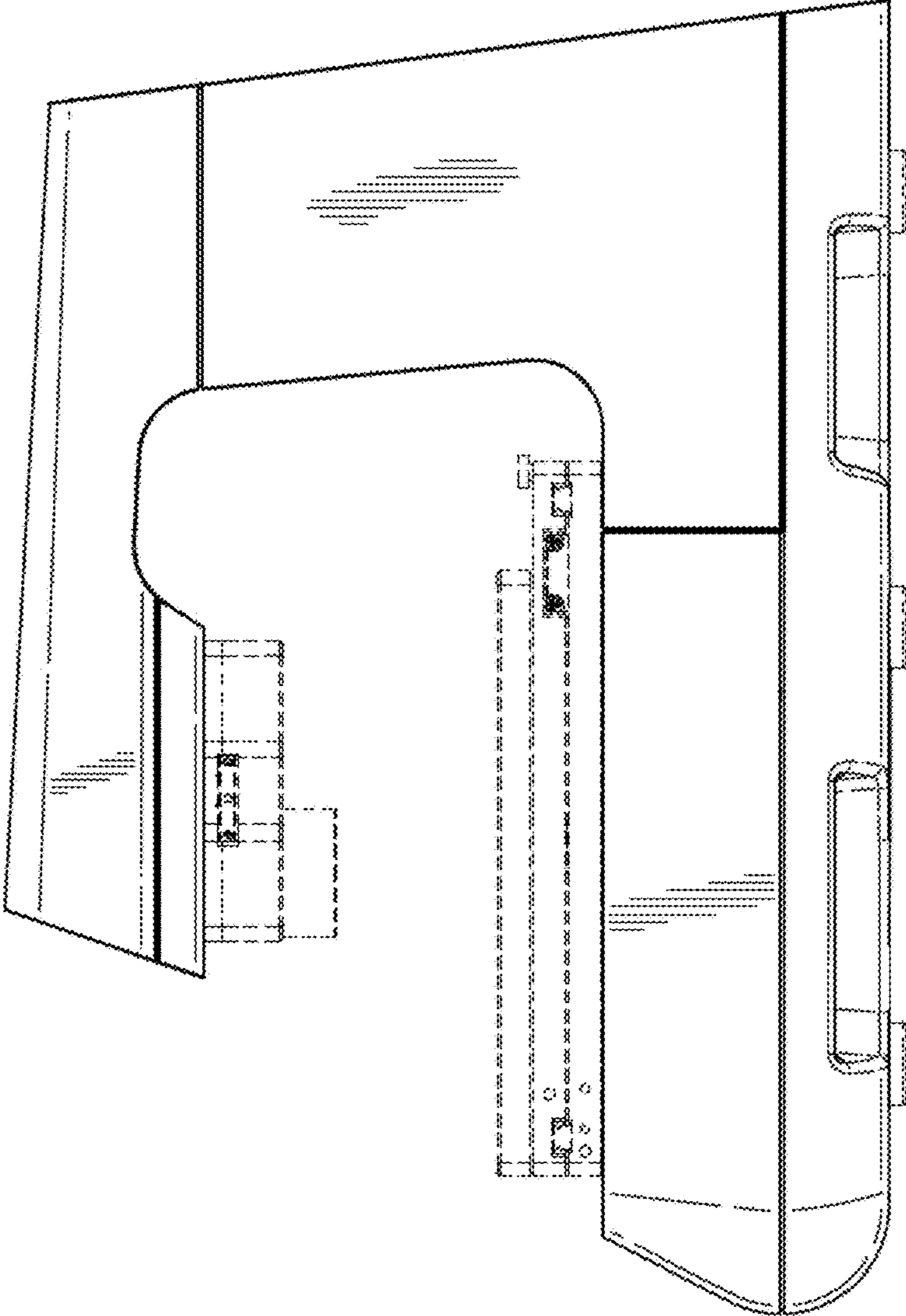


FIG. 4

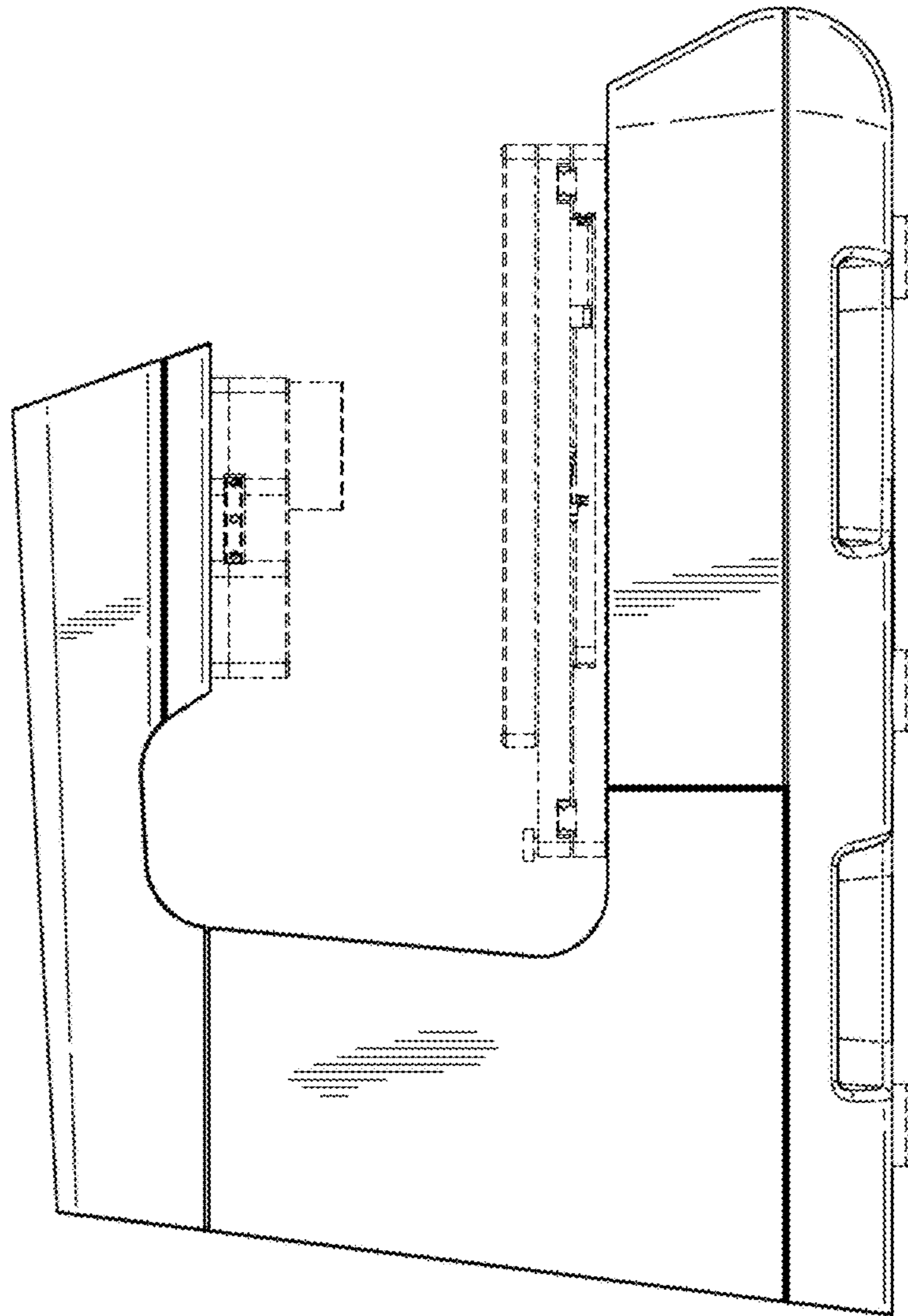


FIG. 5

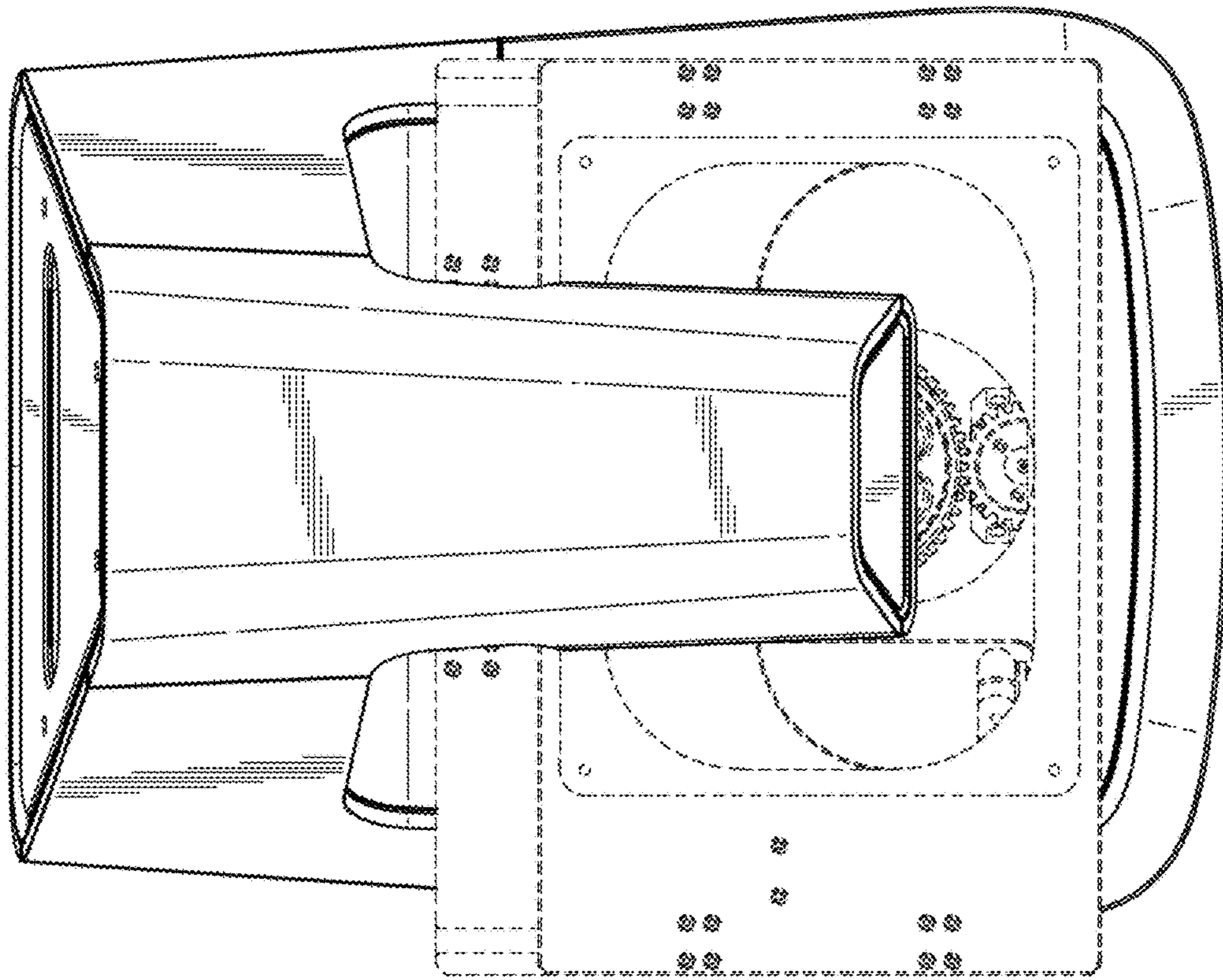


FIG. 6

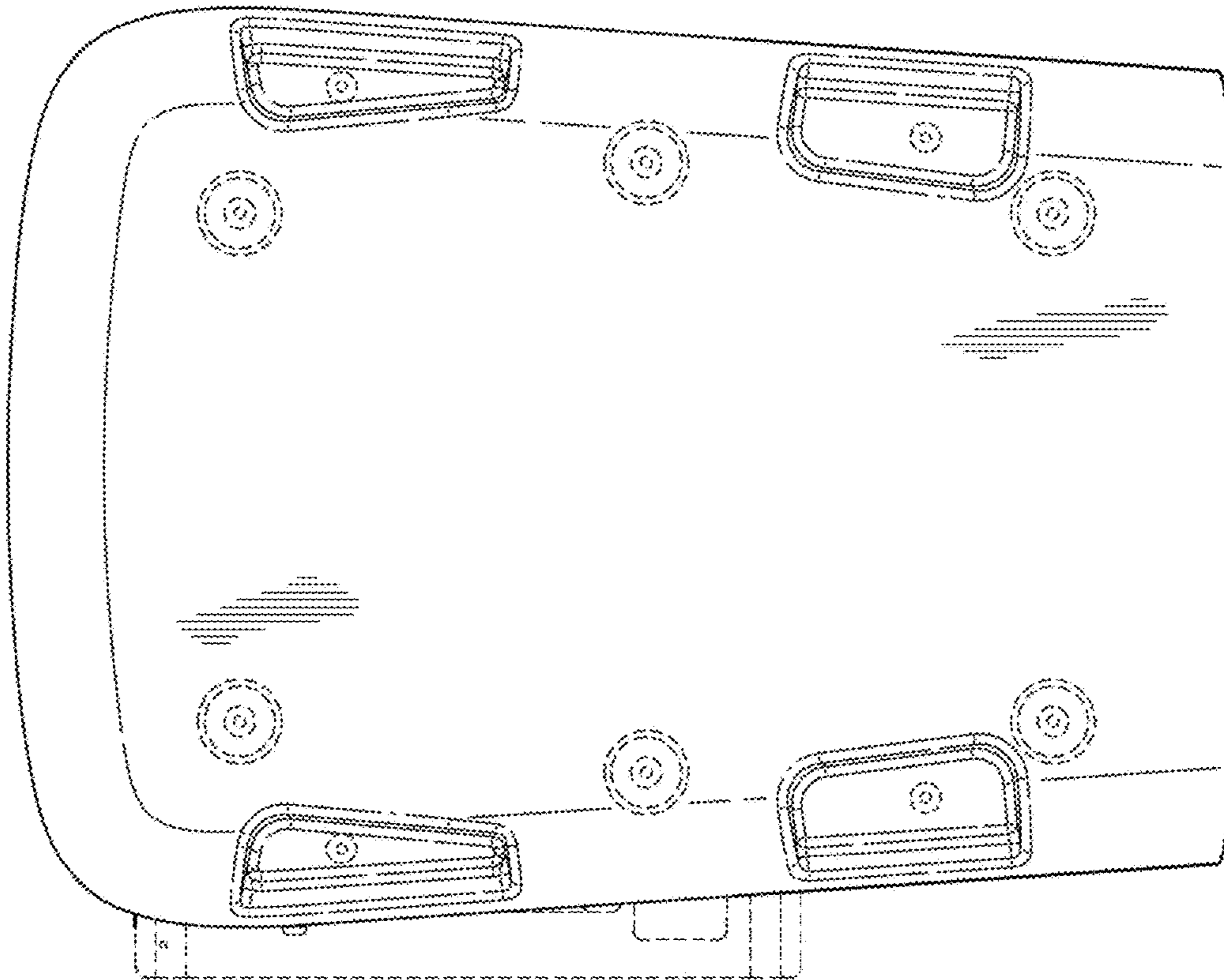


FIG. 7

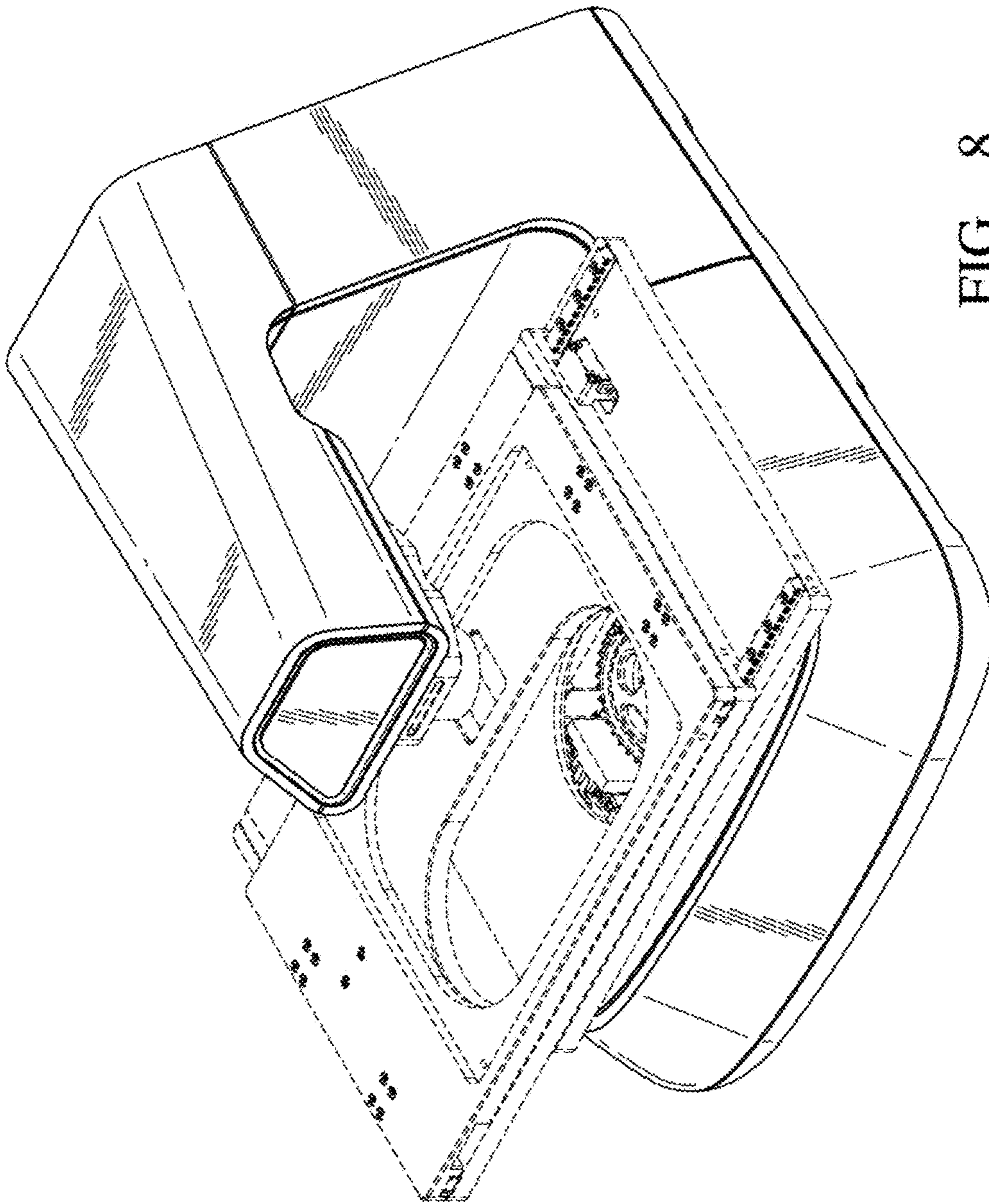


FIG. 8

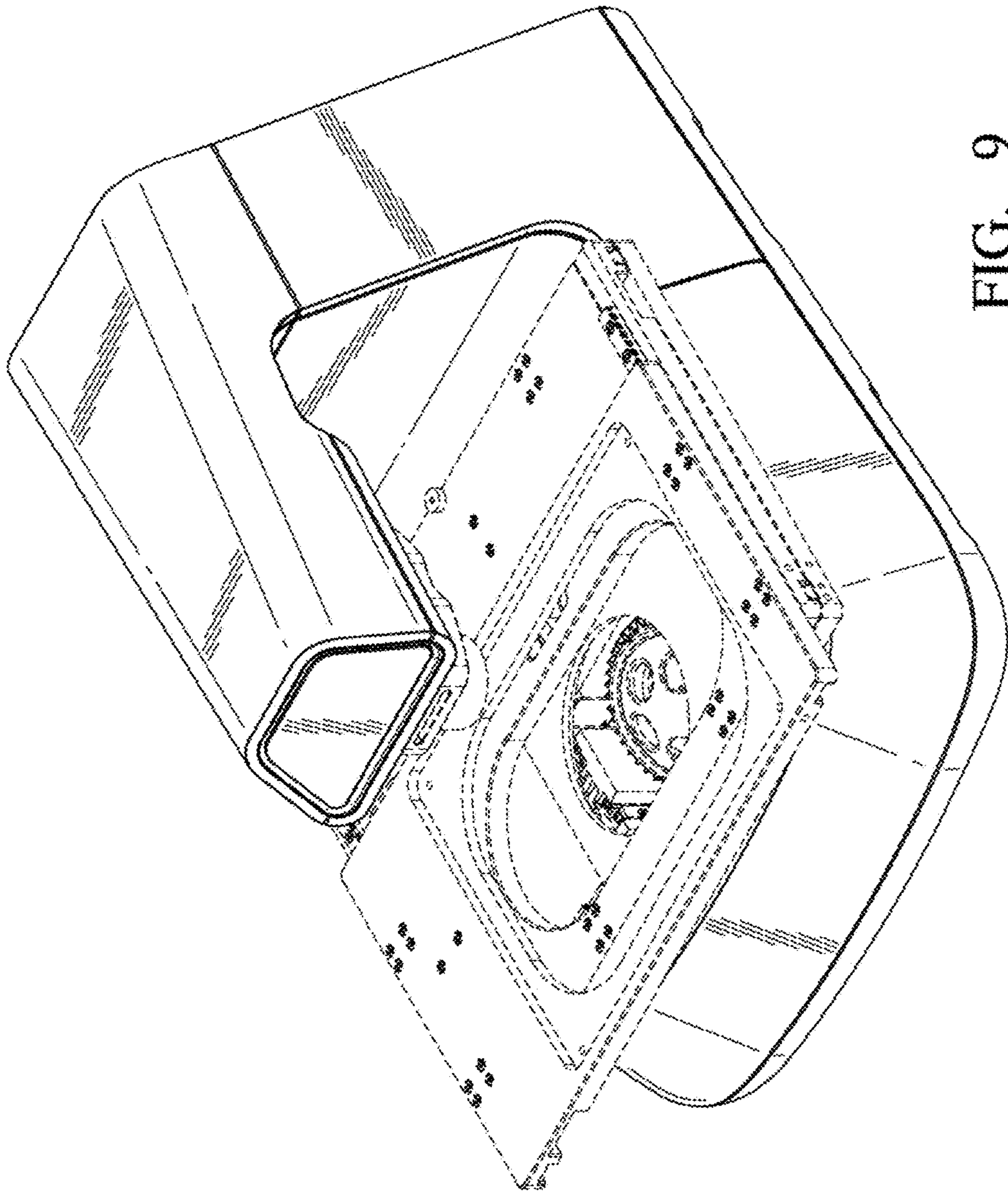


FIG. 9

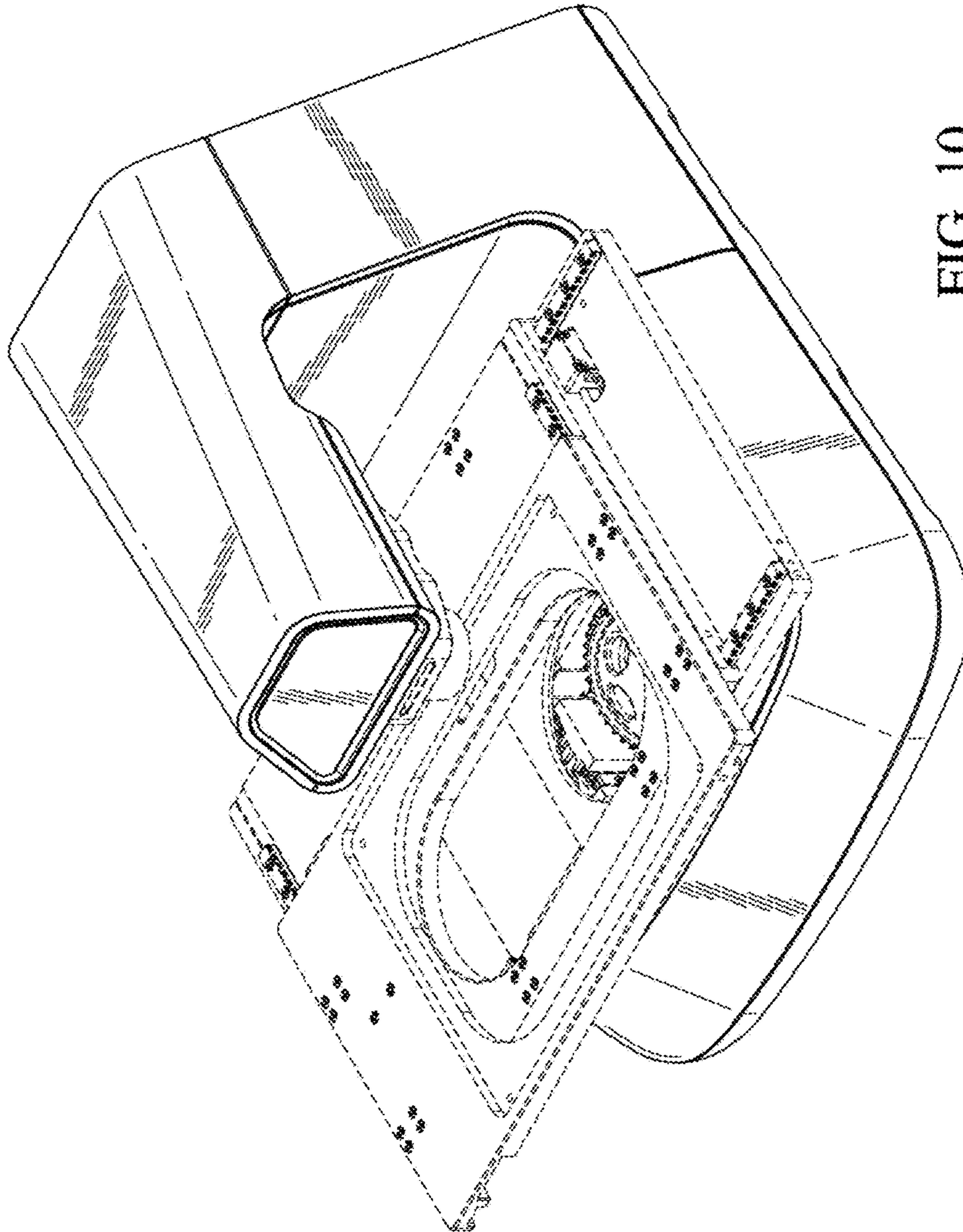


FIG. 10