



US00D785688S

(12) **United States Design Patent**
Matsuda

(10) **Patent No.:** **US D785,688 S**

(45) **Date of Patent:** **** May 2, 2017**

(54) **ARM FOR A ROBOT**
(71) Applicant: **Yoshihiro Matsuda**, Seto (JP)
(72) Inventor: **Yoshihiro Matsuda**, Seto (JP)
(73) Assignee: **Toyota Jidosha Kabushiki Kaisha** (JP)
(**) Term: **15 Years**
(21) Appl. No.: **29/547,945**
(22) Filed: **Dec. 9, 2015**

8,606,398 B2 * 12/2013 Eakins B25J 9/1687
700/117
D711,061 S * 8/2014 Chen D34/29
9,043,024 B2 * 5/2015 Chiu B25J 9/1692
318/568.22
D741,387 S * 10/2015 Parrot D15/140
9,283,966 B2 * 3/2016 Choi B60T 8/172
D754,227 S * 4/2016 Parrot D15/140
D755,268 S * 5/2016 Parrot D15/140
D757,144 S * 5/2016 Parrot D15/199
9,346,175 B2 * 5/2016 Krumbacher B25J 18/06
2008/0016979 A1 * 1/2008 Yasumura B25J 9/0009
74/490.03

(Continued)

(30) **Foreign Application Priority Data**

Jul. 9, 2015 (JP) 2015-015313
(51) **LOC (10) Cl.** **15-99**
(52) **U.S. Cl.**
USPC **D15/199**
(58) **Field of Classification Search**
USPC D15/199; D21/578-583, 621, 622
CPC B25J 9/044; B25J 9/102; Y10T 74/20305
See application file for complete search history.

OTHER PUBLICATIONS

Fetch and Freight, Fetch Robotics, Fetchrobotics.com <<http://fetchrobotics.com/>>, available at least as early as Jul. 6, 2015.

(Continued)

Primary Examiner — Patricia Palasik
(74) *Attorney, Agent, or Firm* — Saidman DesignLaw Group, LLC

(56) **References Cited**

U.S. PATENT DOCUMENTS

D440,241 S * 4/2001 Kawahara D15/199
D460,503 S * 7/2002 Koshiishi D21/578
D509,268 S * 9/2005 Robinson D21/578
D553,655 S * 10/2007 Jennings D15/199
D566,737 S * 4/2008 Matsuda D15/199
D572,739 S * 7/2008 Jennings D15/199
D622,299 S * 8/2010 Liu D15/199
D622,747 S * 8/2010 Kobayashi D15/199
D625,347 S * 10/2010 Feng D15/199
D646,703 S * 10/2011 Wong D15/199
D655,324 S * 3/2012 Wong D15/199
8,393,243 B2 * 3/2013 Ono B25J 9/042
414/680
8,537,346 B2 * 9/2013 Nakagiri B25J 9/1692
356/139.07

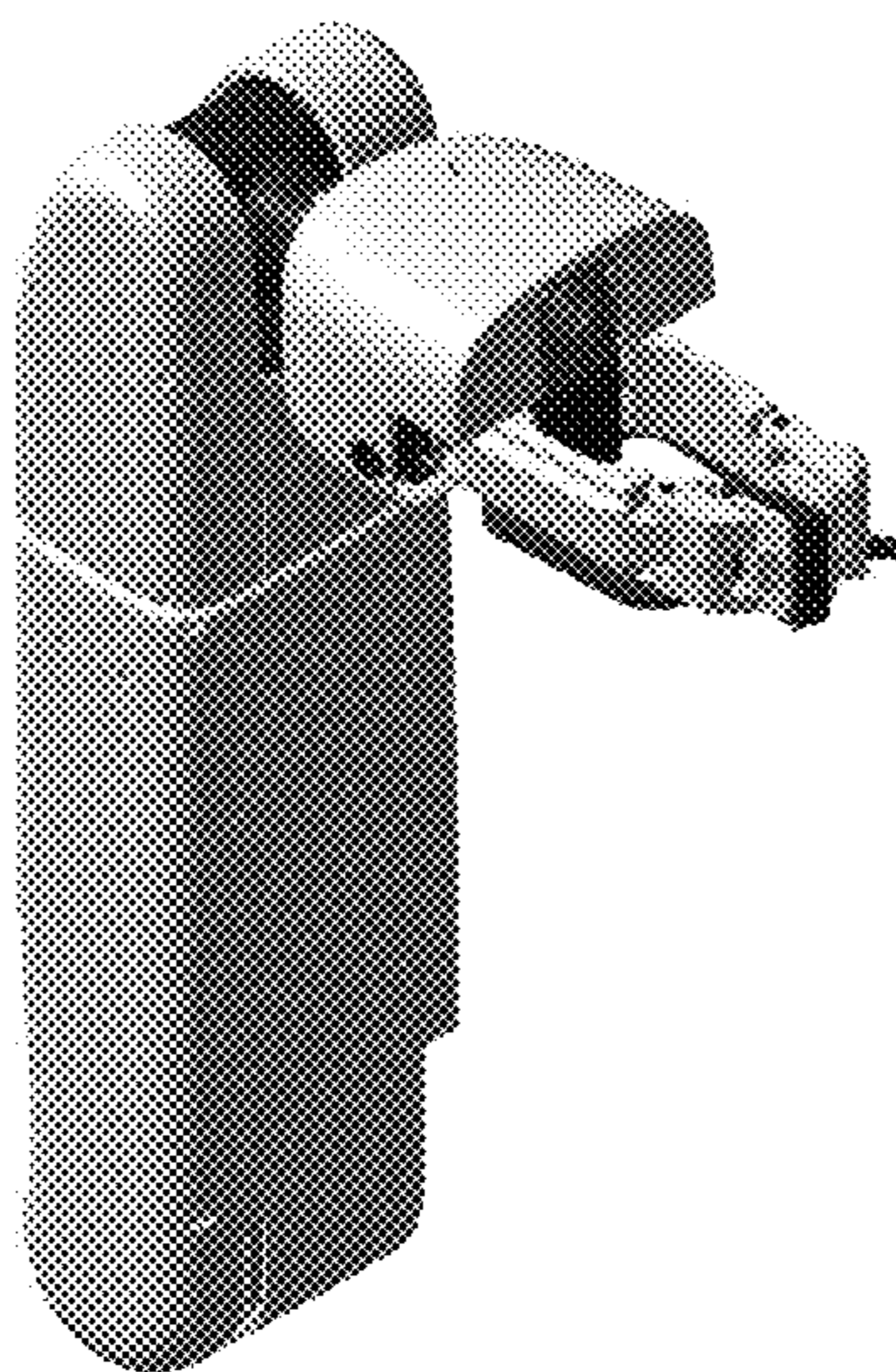
(57) **CLAIM**

The ornamental design for an arm for a robot, as shown and described.

DESCRIPTION

FIG. 1 is a perspective view of an arm for a robot showing my new design;
FIG. 2 is a front view thereof;
FIG. 3 is a rear view thereof;
FIG. 4 is a top view thereof;
FIG. 5 is a bottom view thereof;
FIG. 6 is a left side view thereof; and,
FIG. 7 is a right side view thereof.

1 Claim, 7 Drawing Sheets



(56)

References Cited

U.S. PATENT DOCUMENTS

2011/0107867	A1*	5/2011	Long	B25J 9/103 74/490.05
2011/0113917	A1*	5/2011	Long	B25J 9/102 74/490.03
2011/0290059	A1*	12/2011	Pan	B25J 9/101 74/490.01
2011/0303042	A1*	12/2011	Pan	B25J 9/0009 74/490.05
2013/0060383	A1*	3/2013	Jeong	B25J 9/045 700/261
2013/0125691	A1*	5/2013	Wappling	B25J 19/0062 74/467
2013/0305866	A1*	11/2013	Krumbacher	B25J 18/06 74/490.03
2014/0102240	A1*	4/2014	Inada	B25J 17/0283 74/490.02
2015/0246449	A1*	9/2015	Sakai	B25J 19/0025 74/490.02
2016/0114480	A1*	4/2016	Krumbacher	B25J 9/046 74/490.03

OTHER PUBLICATIONS

Tiago, Pal Robotics, Tiago.pal-robotics.com <<http://www.tiago.pal-robotics.com/en/>>, available at least as early as Jul. 6, 2015.

* cited by examiner

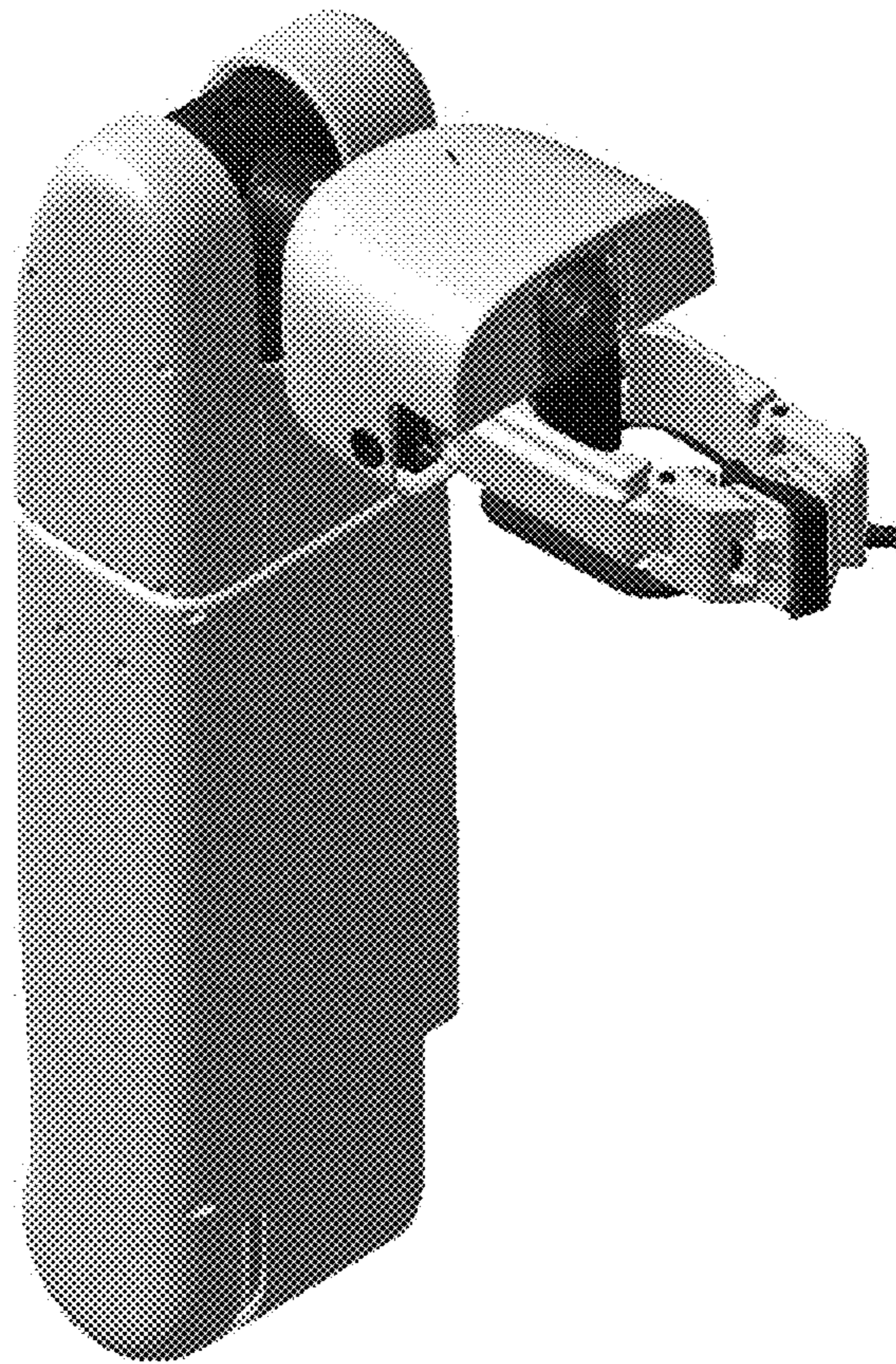


Fig. 1

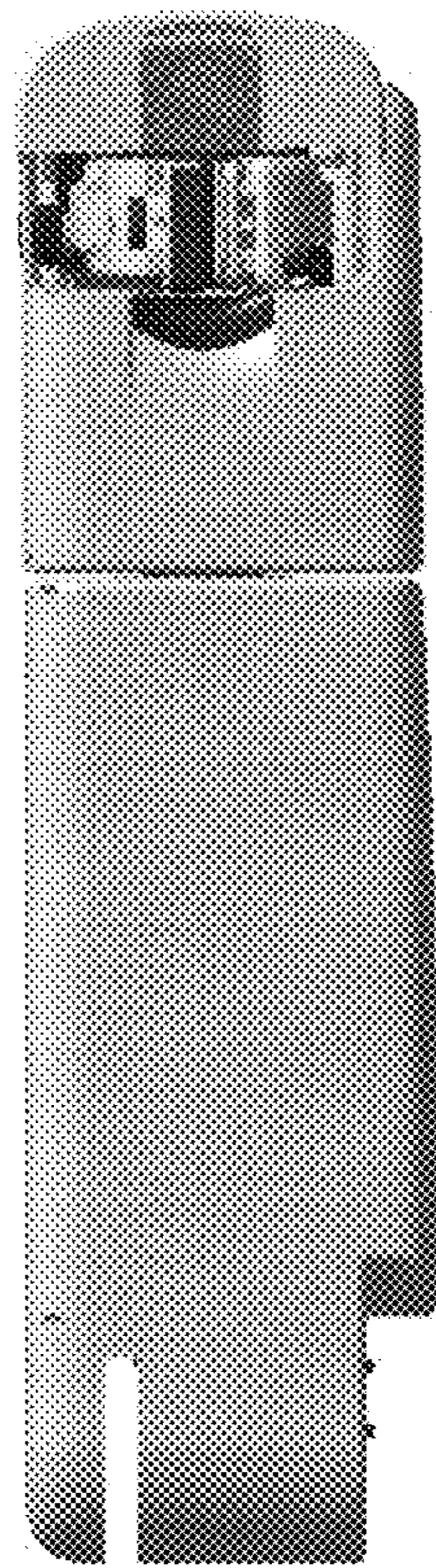


Fig. 2

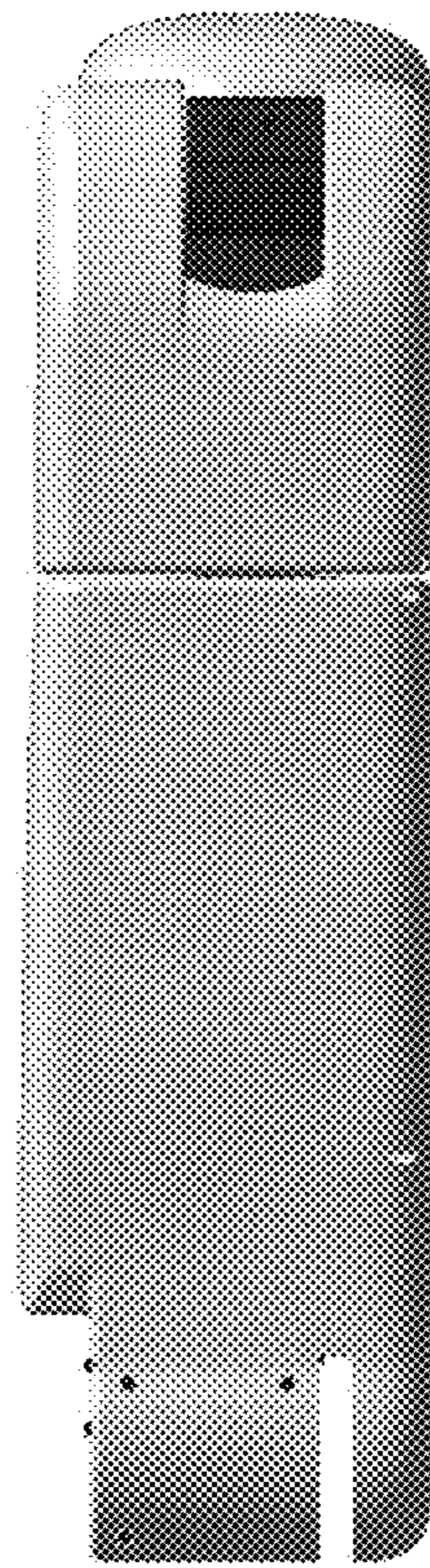


Fig. 3

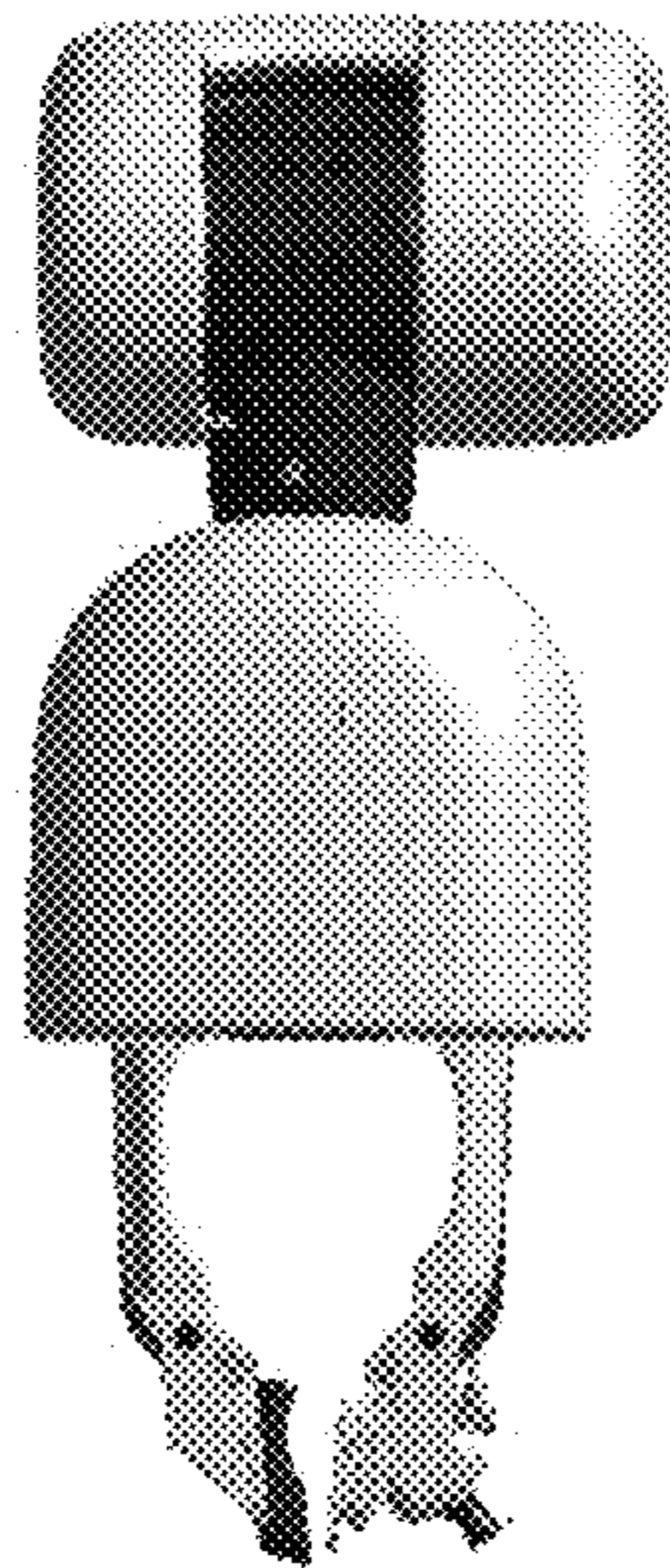


Fig. 4

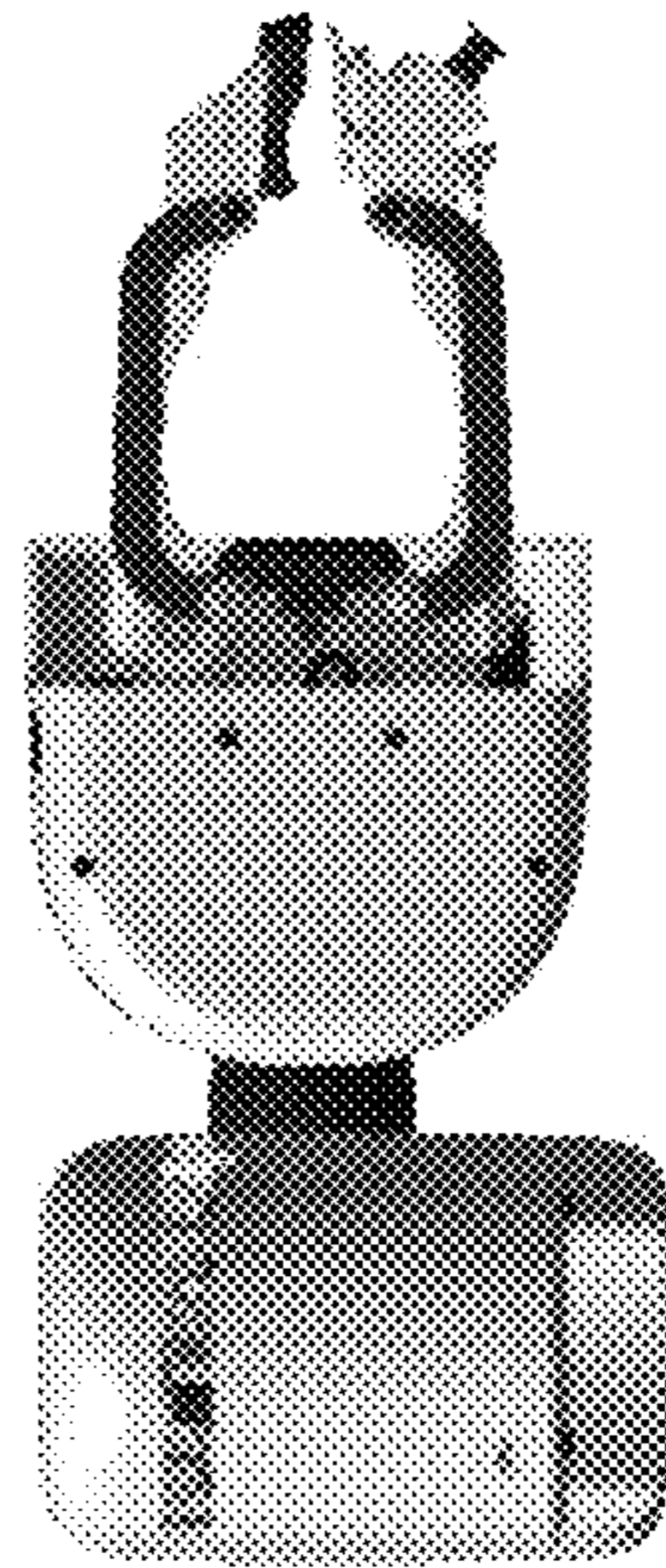


Fig. 5

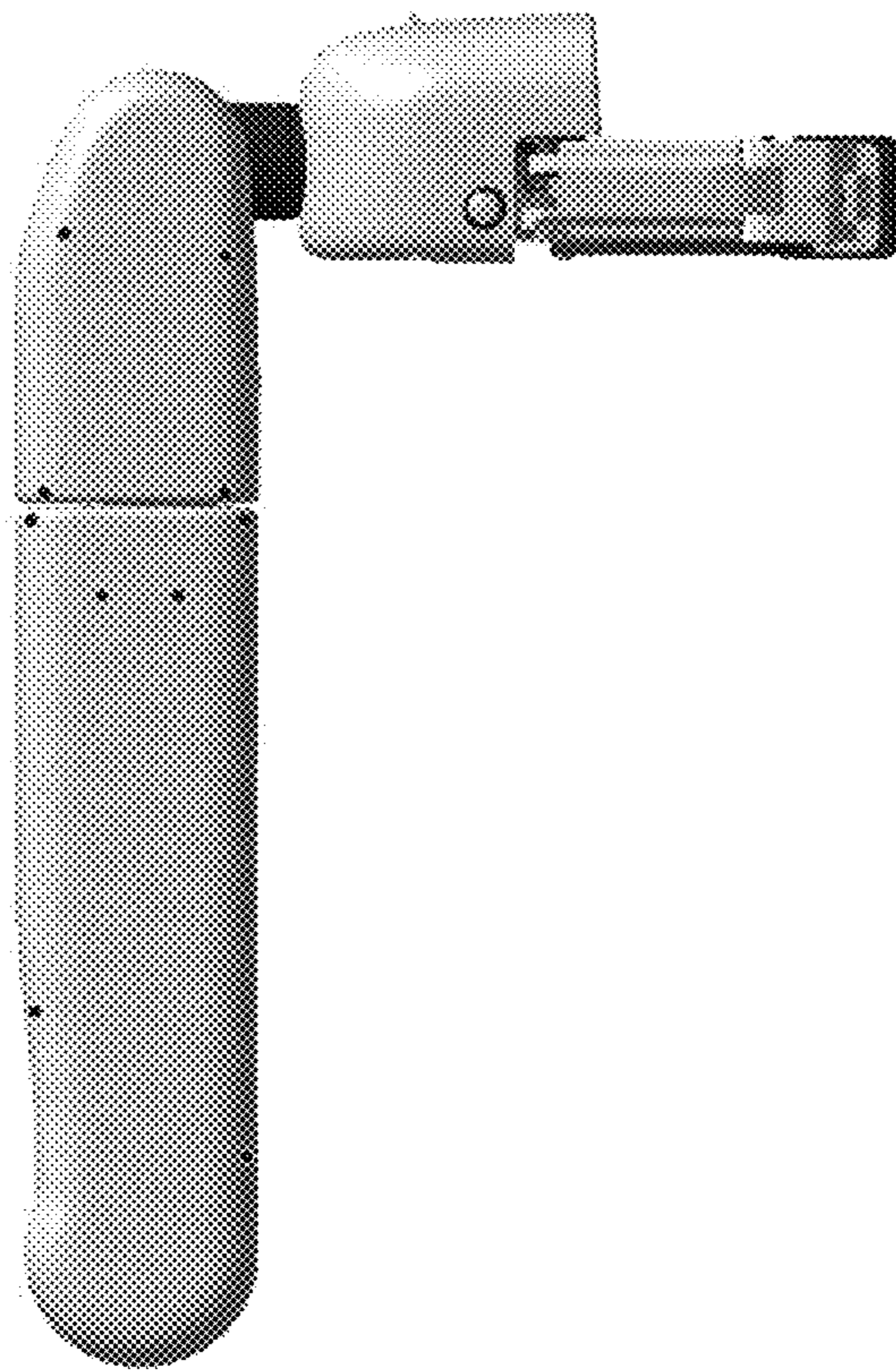


Fig. 6

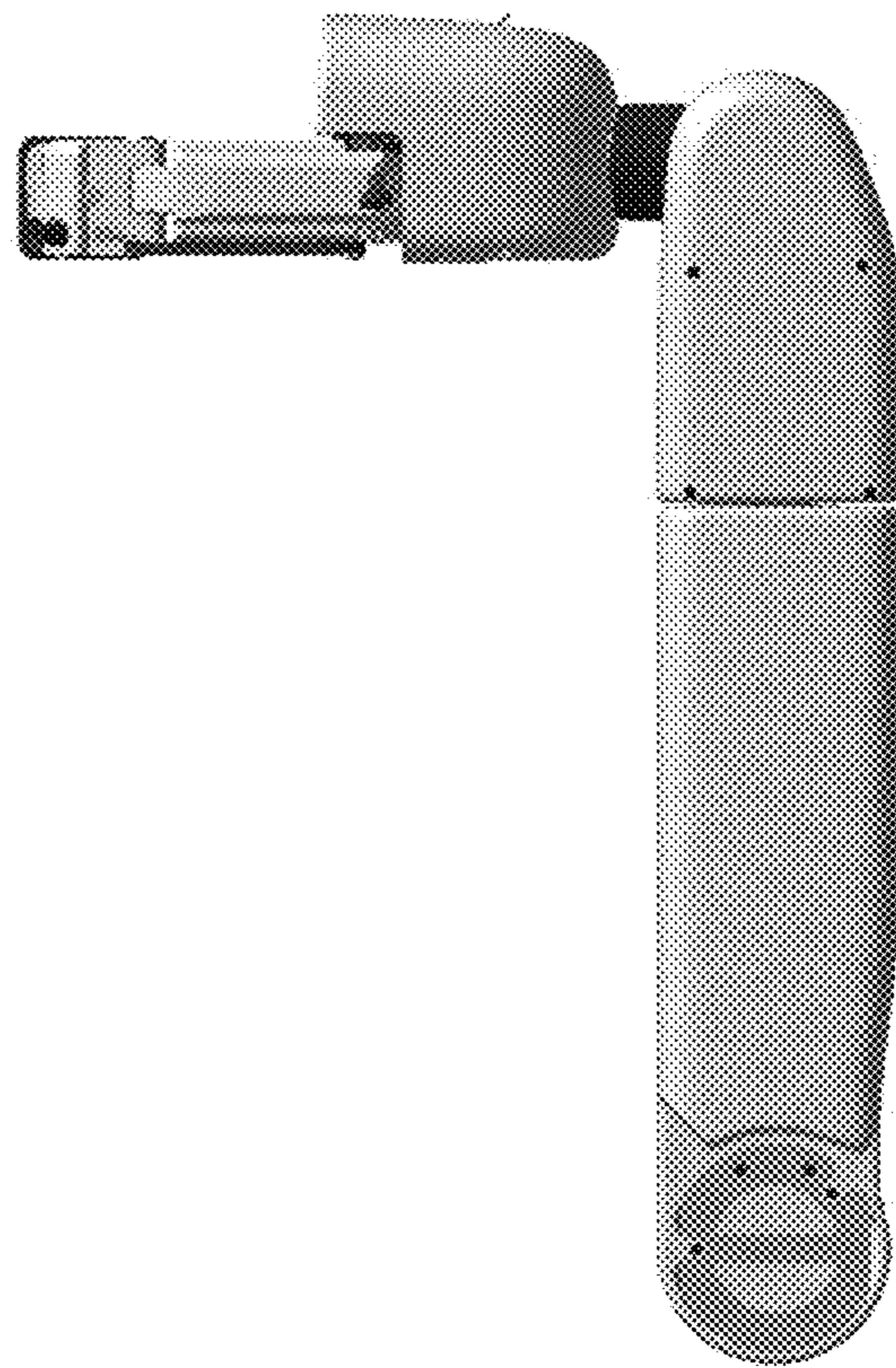


Fig. 7