



US00D785686S

(12) **United States Design Patent** (10) **Patent No.:** **US D785,686 S**
Gong (45) **Date of Patent:** **** May 2, 2017**

(54) **DUAL ACTUATOR FOR ELECTRICAL BED USE**

(71) Applicant: **QINGDAO RICHRIVER ELECTRICS CO., LTD.**, Qingdao (CN)

(72) Inventor: **Zhiqiang Gong**, Qingdao (CN)

(73) Assignee: **QINGDAO RICHRIVER ELECTRICS CO., LTD.**, Shandong Province (CN)

(**) Term: **15 Years**

(21) Appl. No.: **29/535,476**

(22) Filed: **Aug. 6, 2015**

(30) **Foreign Application Priority Data**

Jul. 21, 2015 (CN) 2015 3 0263644

(51) **LOC (10) Cl.** **15-09**

(52) **U.S. Cl.**
USPC **D15/148**

(58) **Field of Classification Search**
USPC D13/118, 158, 162, 184; D15/1-5, 7, 9, D15/143, 148, 149, 199
CPC F16H 25/20; F16H 25/2021; F16H 2025/2065; F16H 2025/2081; F16H 2025/2087; Y10T 74/18752; Y10T 74/18056; Y10T 74/18576; Y10T 74/18688; Y10T 74/18696

See application file for complete search history.

(56) **References Cited**

U.S. PATENT DOCUMENTS

D340,938 S *	11/1993	Spaggiari	D15/199
D358,824 S *	5/1995	Finkemeyer	D15/143
6,478,269 B2 *	11/2002	Forsberg	A47B 9/00 108/147.19
D702,271 S *	4/2014	Lin	D15/143
D702,744 S *	4/2014	Lin	D15/143
D708,239 S *	7/2014	Lin	D15/143
D719,595 S *	12/2014	Landerholm	D15/143
9,312,738 B2 *	4/2016	Winther	
D763,934 S *	8/2016	Landerholm	D15/143
D767,656 S *	9/2016	Wu	D15/143
2006/0279143 A1 *	12/2006	Platz	A47B 9/04 310/51

* cited by examiner

Primary Examiner — Patricia Palasik

(74) *Attorney, Agent, or Firm* — J.C. PATENTS

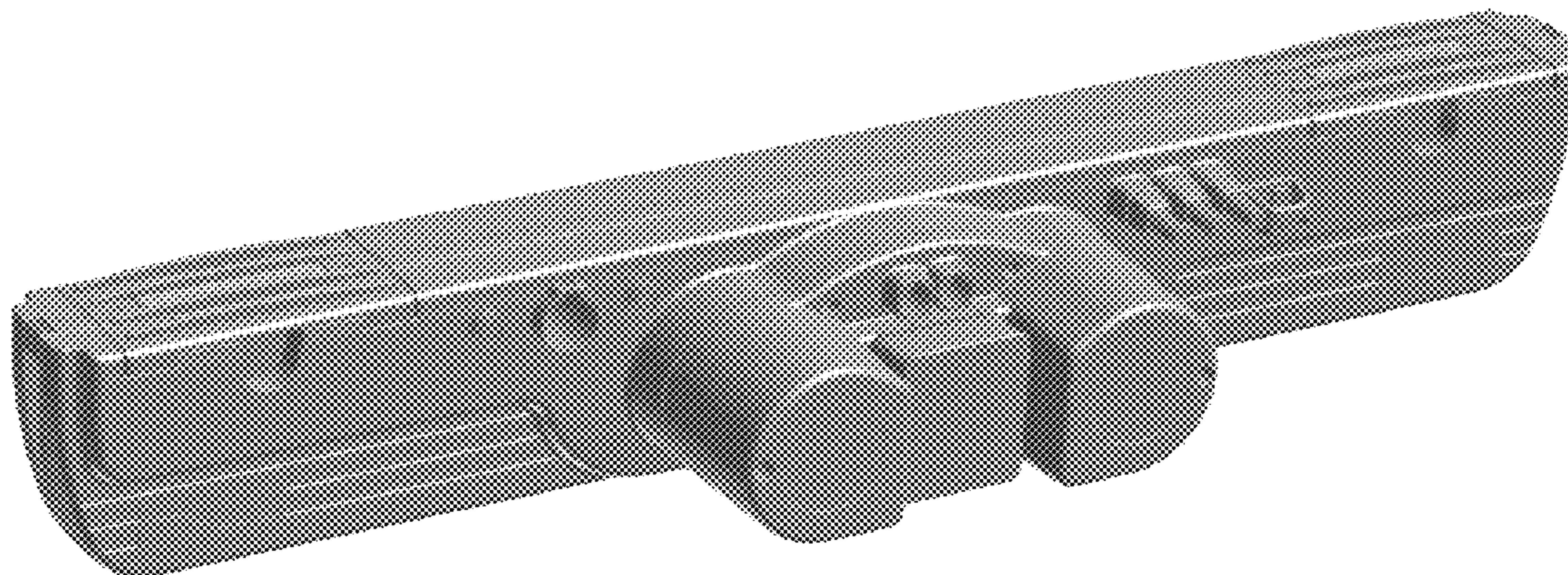
(57) **CLAIM**

The ornamental design for a dual actuator for electrical bed use, as shown and described.

DESCRIPTION

FIG. 1 is a perspective view of a dual actuator for electrical bed use showing our new design;
FIG. 2 is a front elevational view thereof;
FIG. 3 is a rear elevational view thereof;
FIG. 4 is a right side elevational view thereof;
FIG. 5 is a left side elevational view thereof;
FIG. 6 is a top view thereof; and,
FIG. 7 is a bottom view thereof.

1 Claim, 4 Drawing Sheets



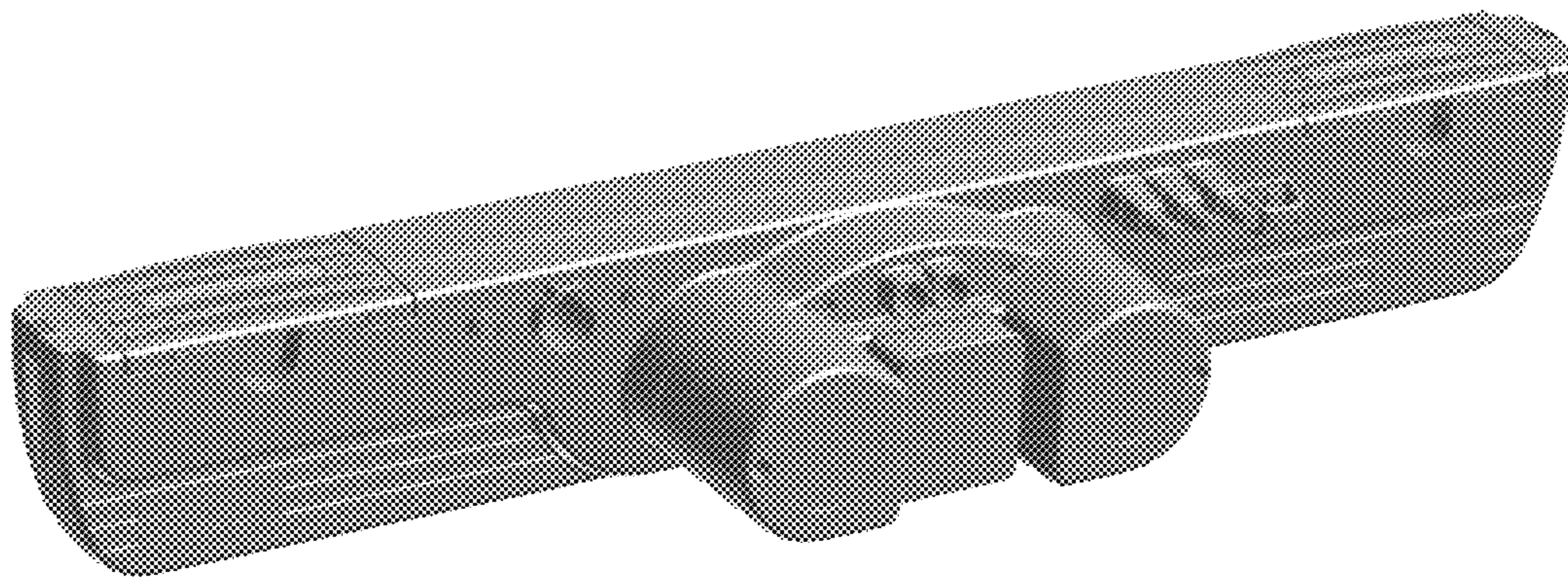


FIG. 1

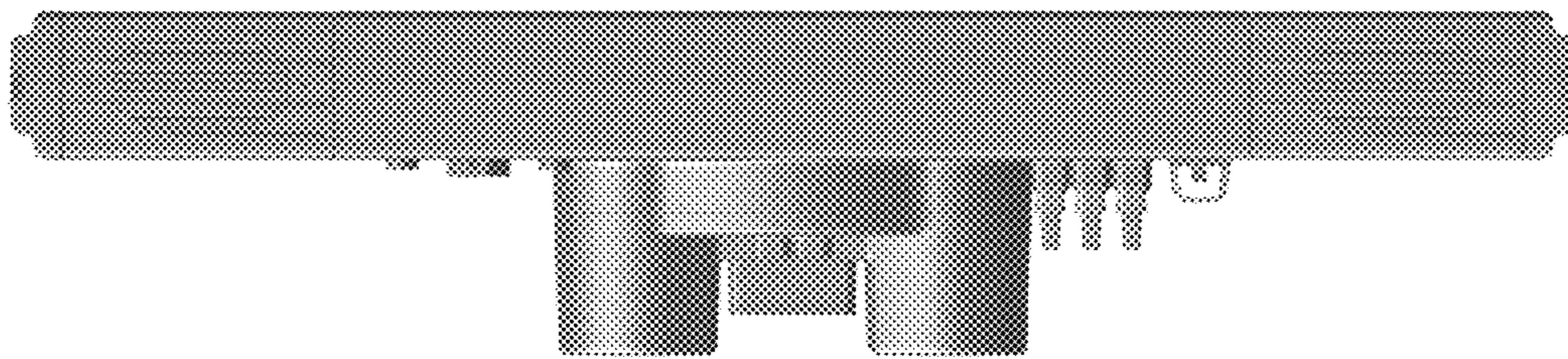


FIG. 2

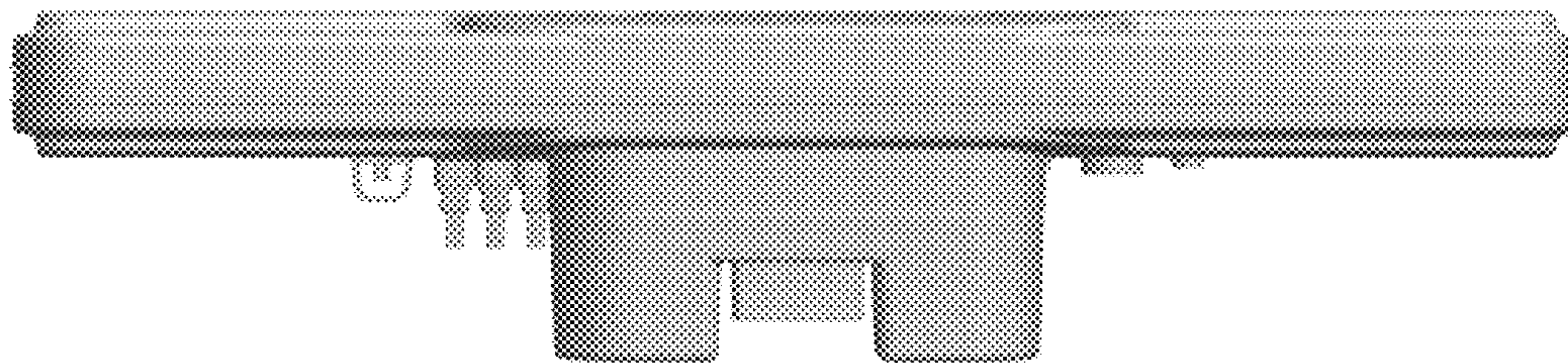


FIG. 3

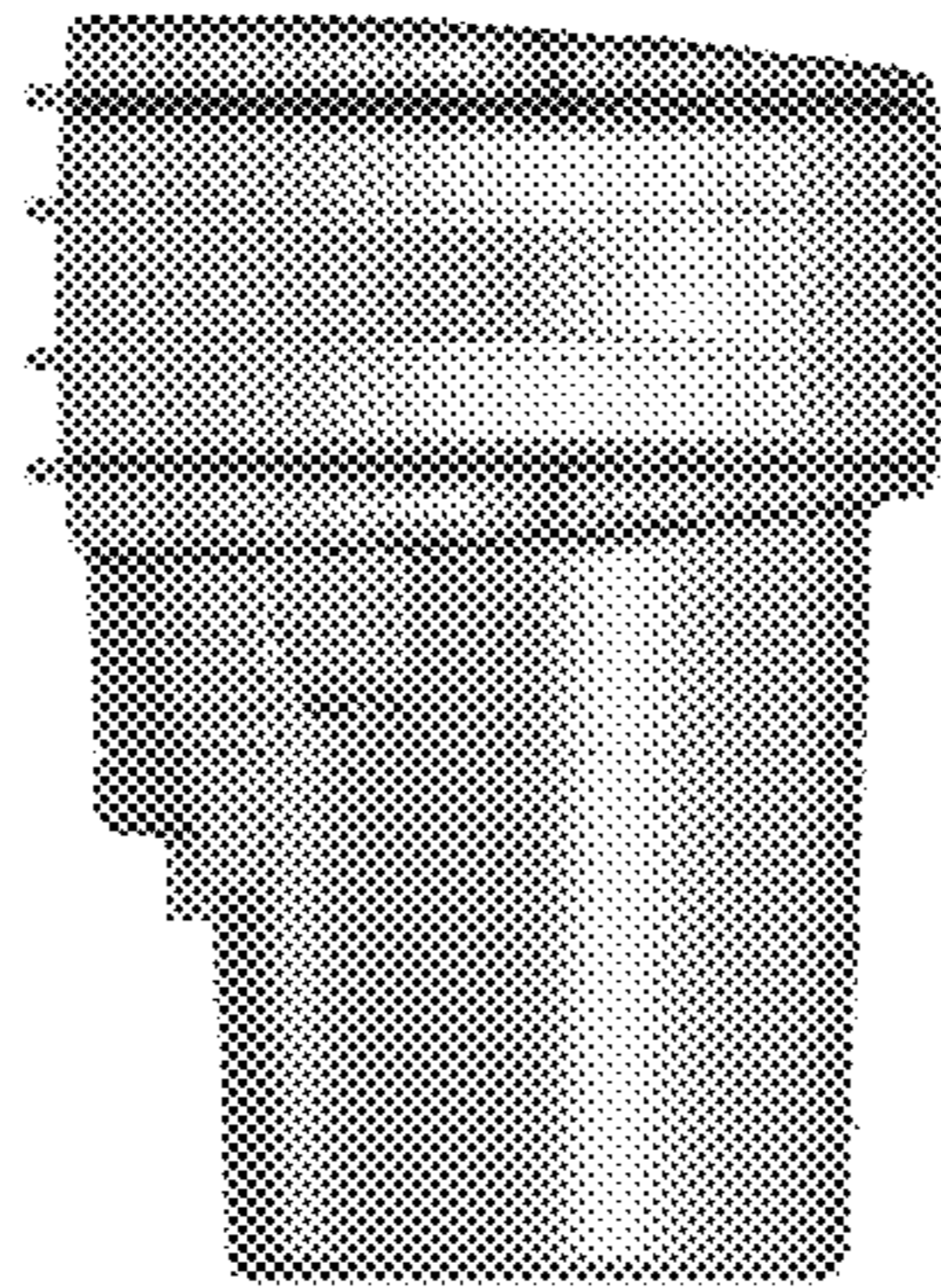


FIG. 4

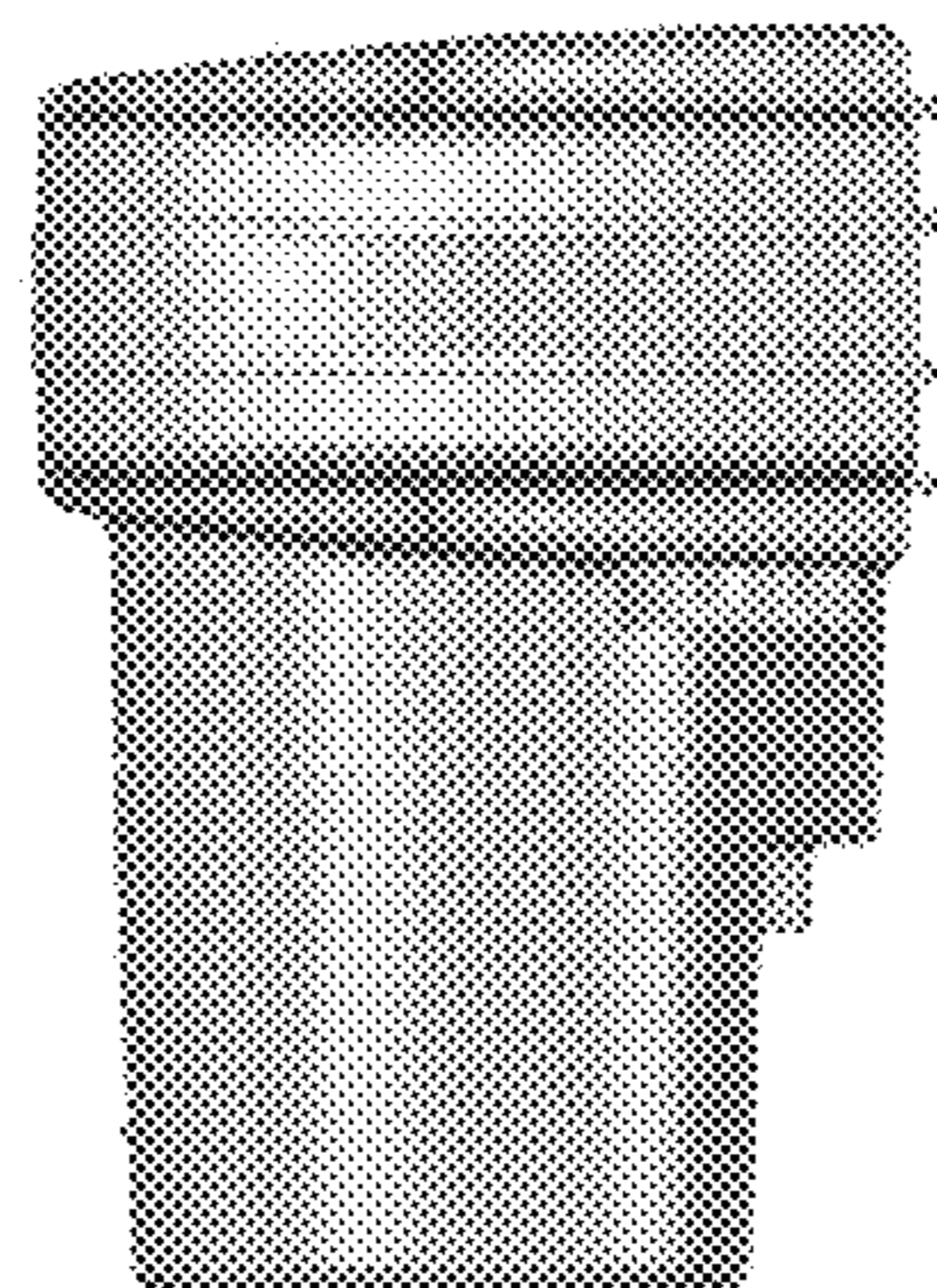


FIG. 5

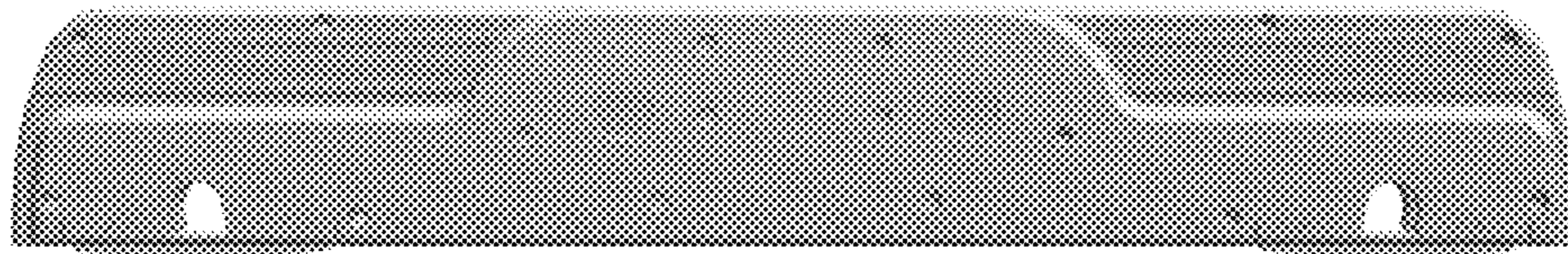


FIG. 6

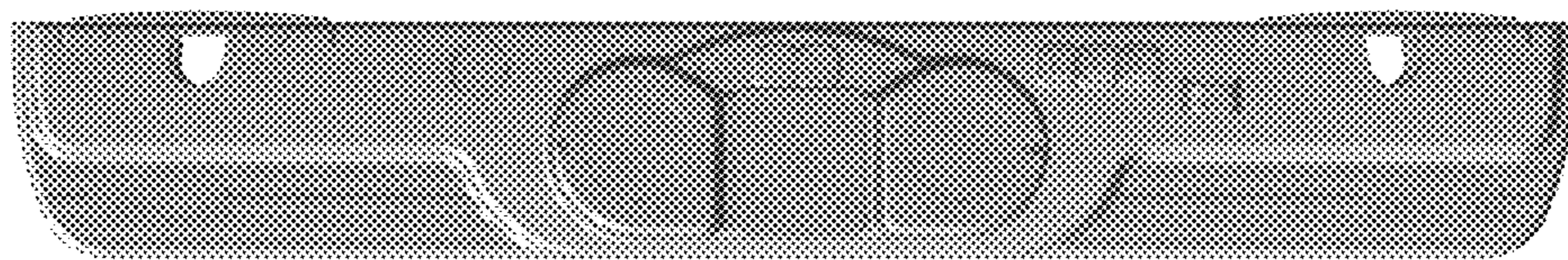


FIG. 7