



US00D785685S

(12) **United States Design Patent**
Avellaneda et al.

(10) **Patent No.:** **US D785,685 S**

(45) **Date of Patent:** **** May 2, 2017**

- (54) **ROLL-OUT WHEEL**
- (71) Applicant: **Roly LLC**, Chatsworth, CA (US)
- (72) Inventors: **Joel Avellaneda**, Watford City, ND (US); **Emanuel Gonzalez**, Watford City, ND (US)
- (73) Assignee: **Roly LLC**, Chatsworth, CA (US)
- (**) Term: **15 Years**
- (21) Appl. No.: **29/541,674**
- (22) Filed: **Oct. 6, 2015**
- (51) **LOC (10) Cl.** **15-09**
- (52) **U.S. Cl.**
USPC **D15/144**
- (58) **Field of Classification Search**
USPC D8/71; D15/140, 141, 144, 144.1, 144.2; D25/122; 29/272, 282, 281.1, 402, 728, 29/784, 795, 869; 72/52, 284; 156/304.6; 219/87, 91.2, 103, 121.63, 219/124.34, 161, 242, 521, 524, 535; 228/6.1, 17, 17.5, 32, 44.3, 44.7, 45, 228/47.1, 49.2, 49.3, 49.6, 119, 165, 169, 228/170, 173.8, 189; 269/41, 42, 43, 70, 269/71, 73, 132, 266; 285/24, 27, 41
CPC B23K 9/0352; B23K 9/1333
See application file for complete search history.

(56) **References Cited**

U.S. PATENT DOCUMENTS

- 1,869,014 A * 7/1932 Lincoln B23K 9/1336
314/25
- 2,079,956 A * 5/1937 Burgett B23K 9/1336
219/124.02
- 2,188,070 A * 1/1940 Baird B23K 9/1333
242/129

- 3,098,147 A * 7/1963 Rosenberger B23K 9/0352
219/60 R
- 3,167,636 A * 1/1965 Bosteels B23K 9/025
219/124.22
- 3,248,516 A * 4/1966 Gilliland B23K 9/1336
219/137.42
- 3,256,418 A * 6/1966 Bauer B23K 9/1336
140/147
- 3,668,364 A * 6/1972 Nomura B23K 9/1333
219/125.12
- 3,734,369 A * 5/1973 Johnson B23K 9/1336
226/134
- 4,068,106 A * 1/1978 Shaputis B23K 9/1336
219/136
- 4,150,772 A * 4/1979 Auer B23K 9/1336
219/137.7
- 4,168,406 A * 9/1979 Torrani B23K 9/1336
219/125.12
- 4,179,056 A * 12/1979 Schmerling B21C 47/34
226/171

(Continued)

Primary Examiner — Patricia Palasik

(74) *Attorney, Agent, or Firm* — Kelly & Kelley, LLP

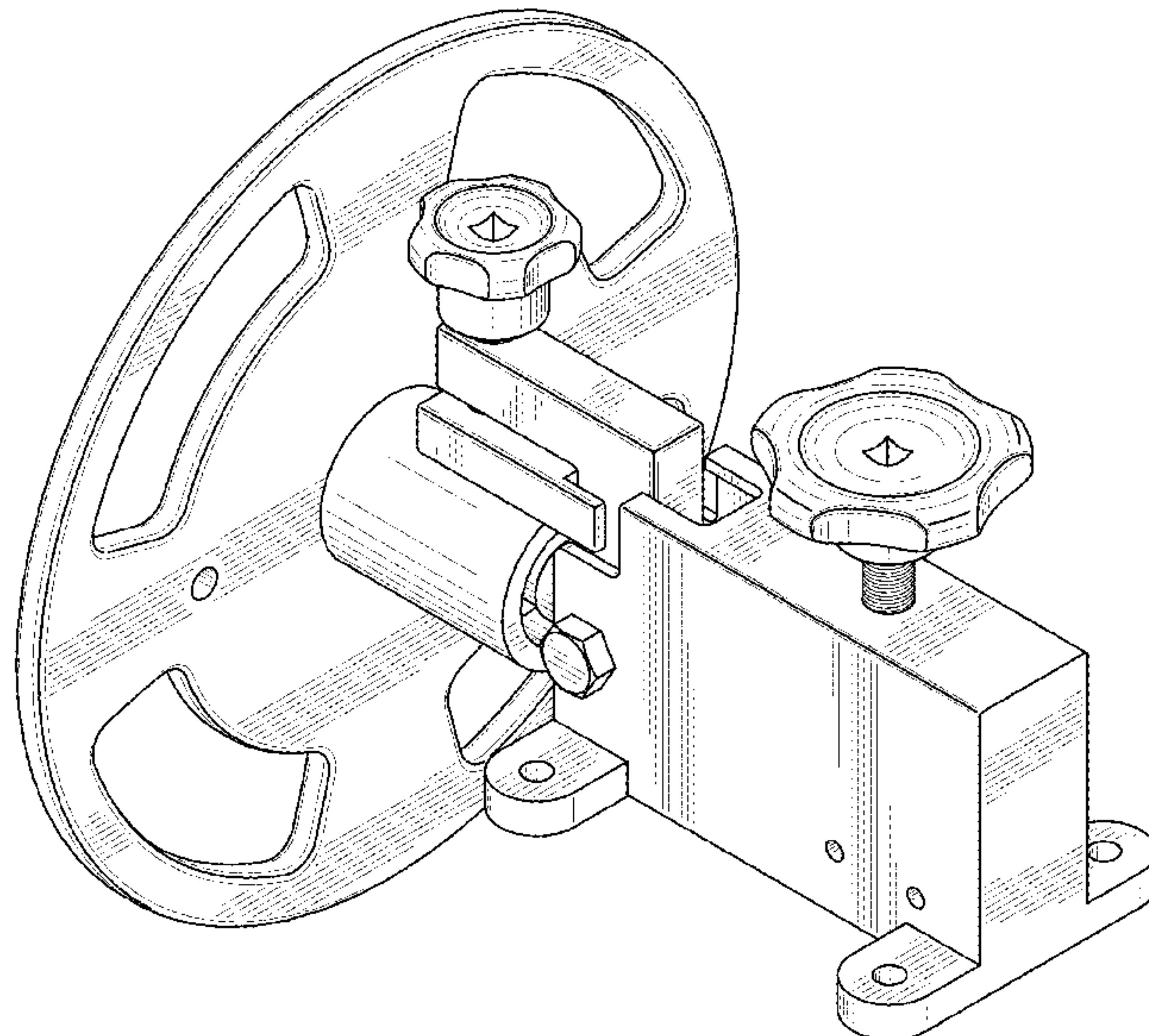
(57) **CLAIM**

The ornamental design for a roll-out wheel, as shown and described.

DESCRIPTION

FIG. 1 is a an elevated perspective view of the roll-out wheel;
 FIG. 2 is a lowered perspective view of the roll-out wheel;
 FIG. 3 is a left side view of the roll-out wheel;
 FIG. 4 is a right side view of the roll-out wheel;
 FIG. 5 is a top view of the roll-out wheel;
 FIG. 6 is a bottom view of the roll-out wheel;
 FIG. 7 is a front view of the roll-out wheel; and,
 FIG. 8 is a back view of the roll-out wheel.
 The broken lines in the drawings depict unclaimed environmental subject matter.

1 Claim, 8 Drawing Sheets



(56)

References Cited

U.S. PATENT DOCUMENTS

4,344,553	A *	8/1982	Lesher	B65H 51/02 219/60 A
5,060,882	A *	10/1991	Rousculp	B21C 47/18 242/129.6
5,948,296	A *	9/1999	Williams	B23K 9/1333 219/137.2
6,484,964	B1 *	11/2002	Cooper	B21C 47/18 242/559.1
7,176,411	B2 *	2/2007	Enyedy	B23K 9/1336 219/137.2
7,398,965	B2 *	7/2008	Glaser	B25B 5/006 269/3
7,615,723	B2 *	11/2009	Matiash	B23K 9/124 219/137.2
8,232,504	B2 *	7/2012	Ni	B23K 9/1336 219/137.31
8,426,773	B2 *	4/2013	Willenkamp	B23K 9/1336 219/137 PS
8,878,097	B2 *	11/2014	Enyedy	B23K 9/1336 219/137.2
9,180,545	B2 *	11/2015	Enyedy	B23K 9/095
9,399,561	B2 *	7/2016	Lahti	B23K 9/133
9,517,524	B2 *	12/2016	Miller	B23K 9/1333
2003/0117009	A1 *	6/2003	Flood	B60B 37/10 301/111.01
2005/0218189	A1 *	10/2005	Maes	B23K 37/04 228/47.1
2016/0199889	A1 *	7/2016	Larsen	E03F 7/106 134/18

* cited by examiner

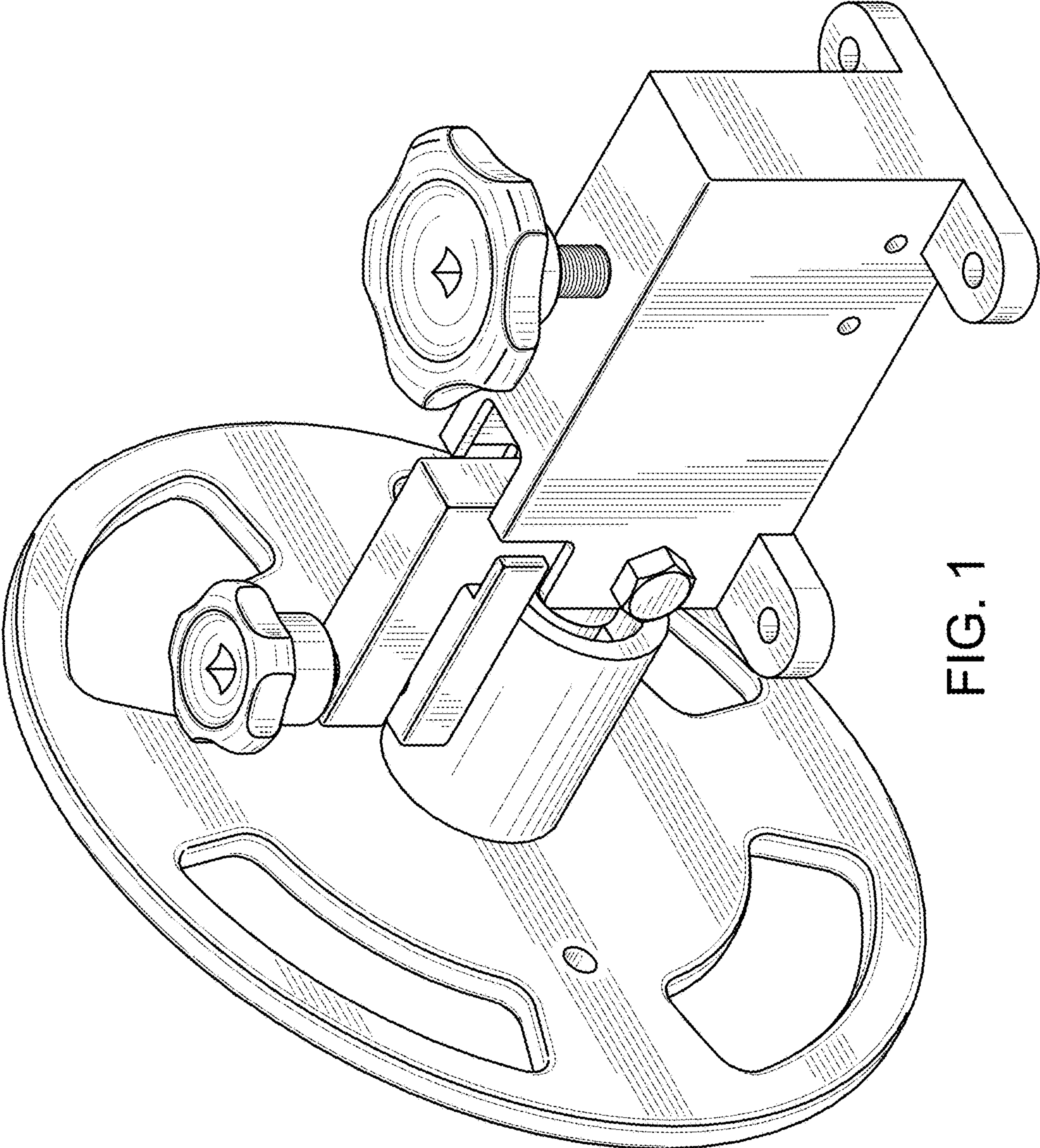


FIG. 1

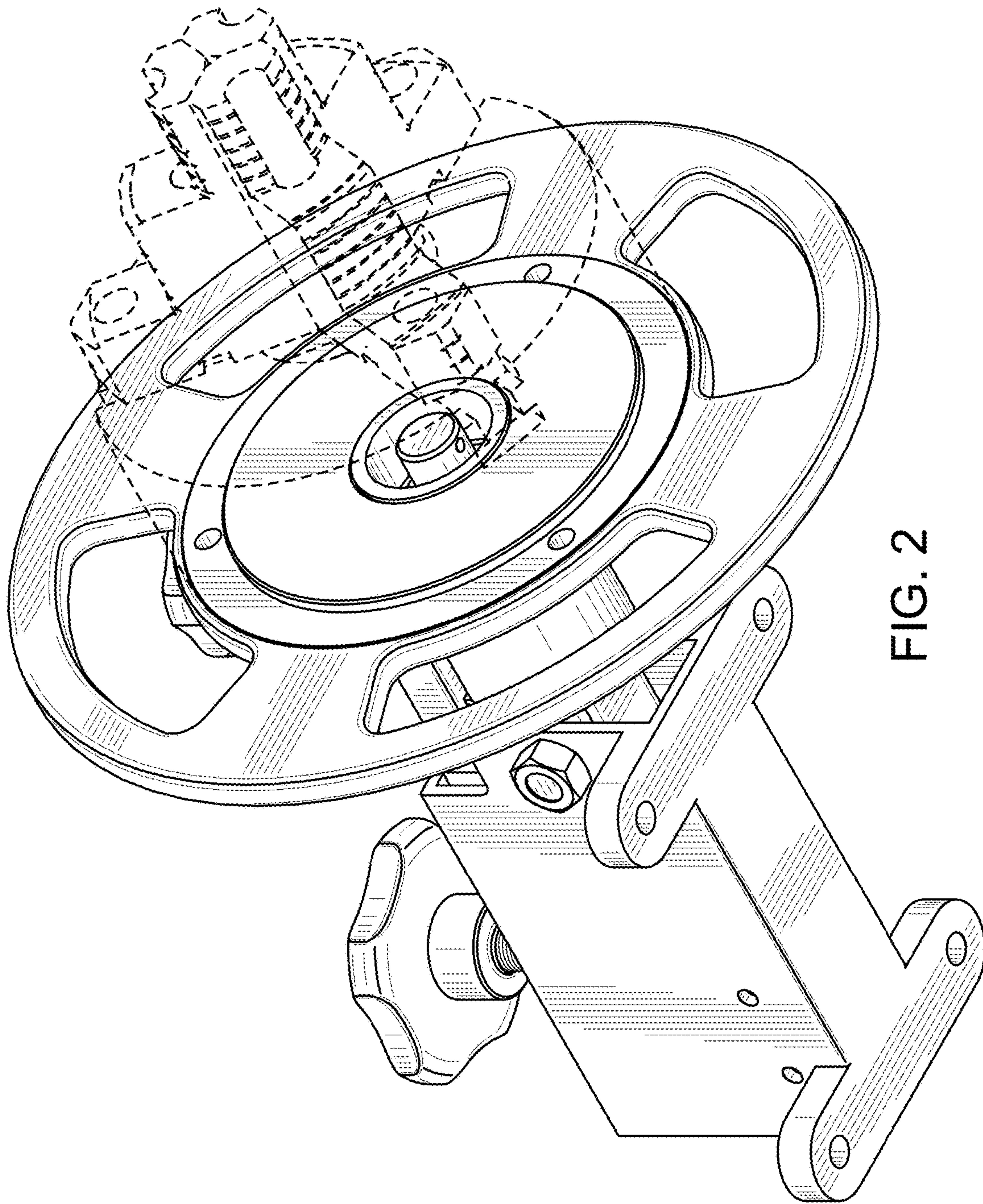


FIG. 2

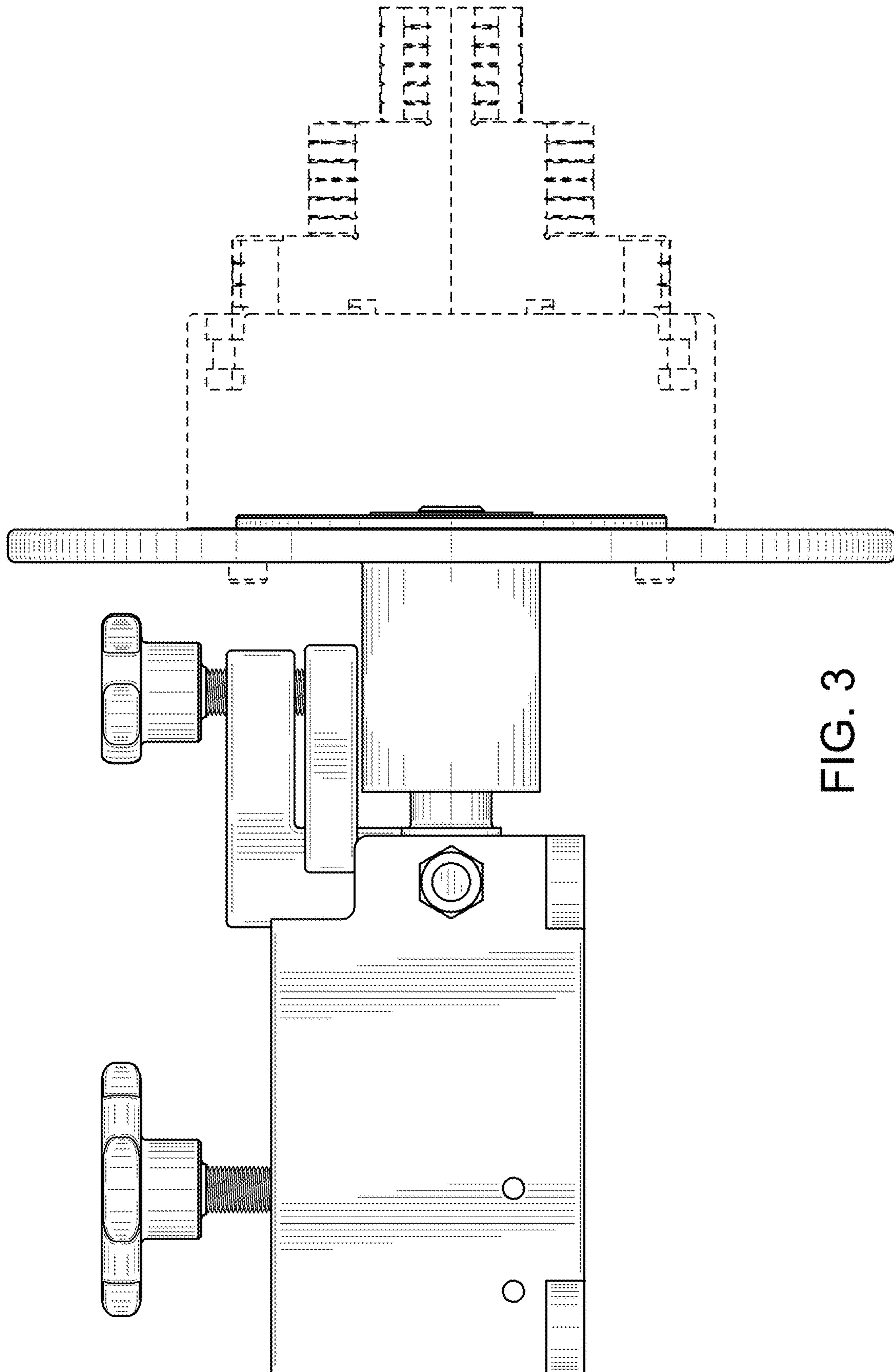


FIG. 3

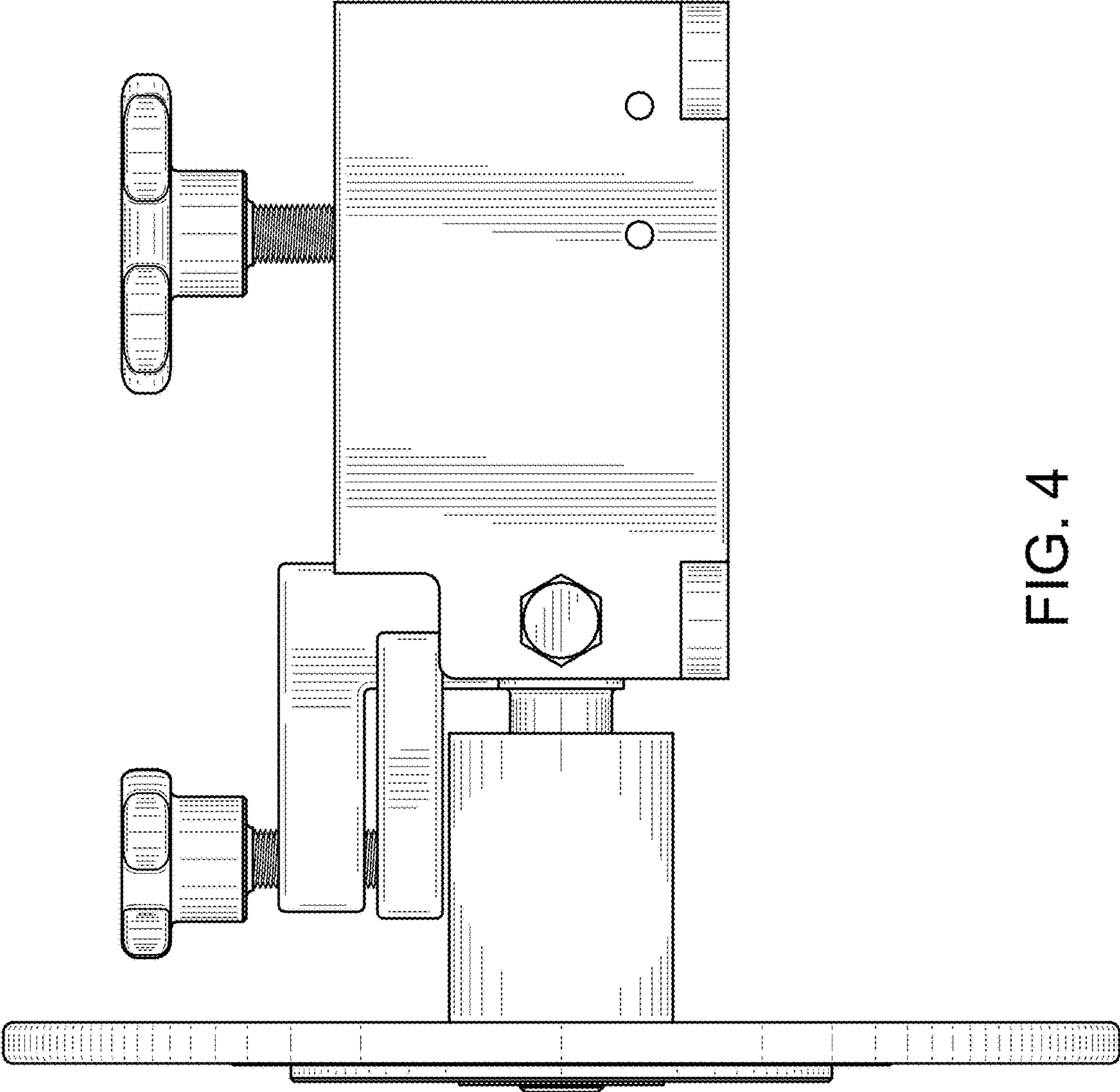


FIG. 4

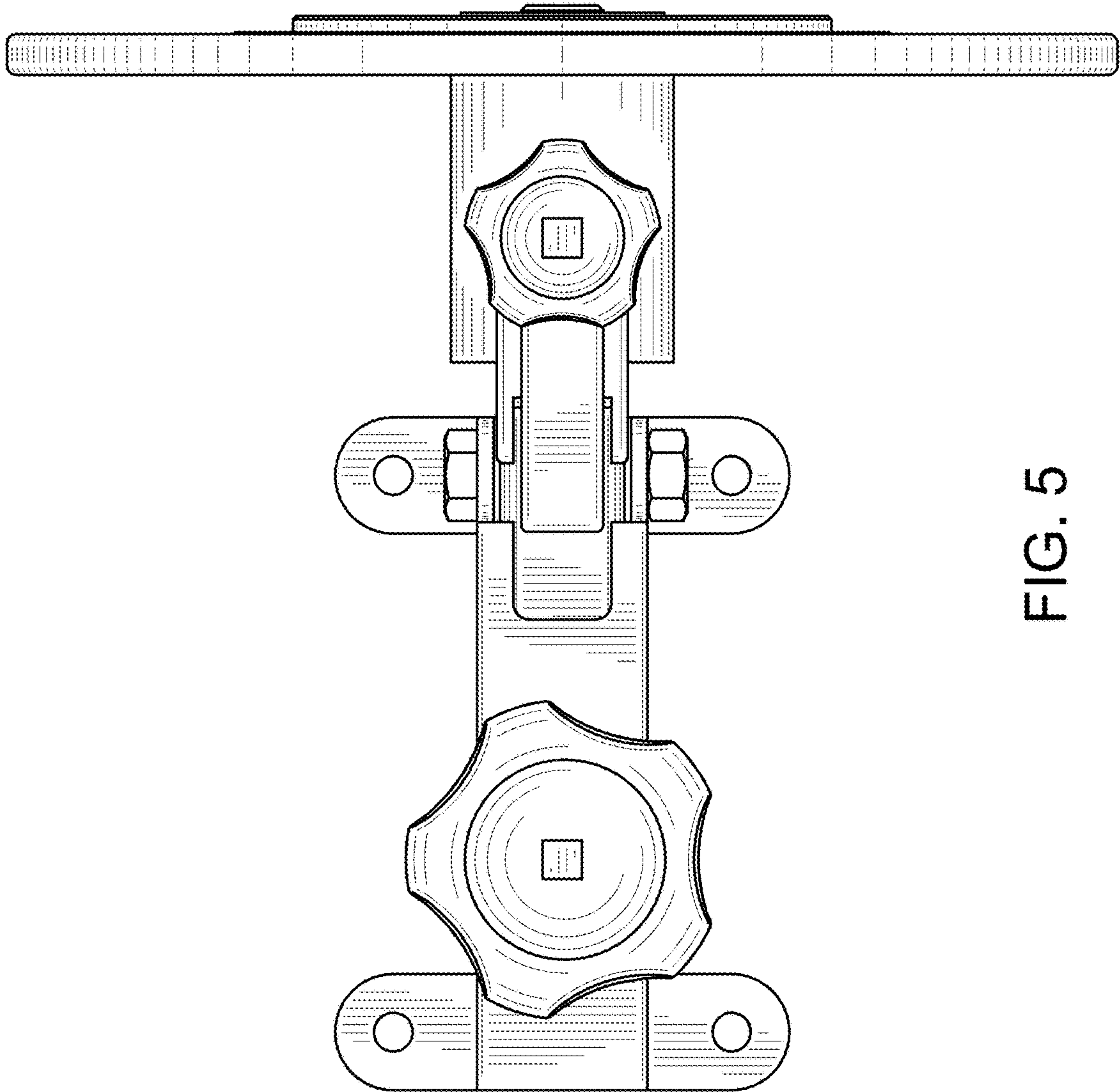


FIG. 5

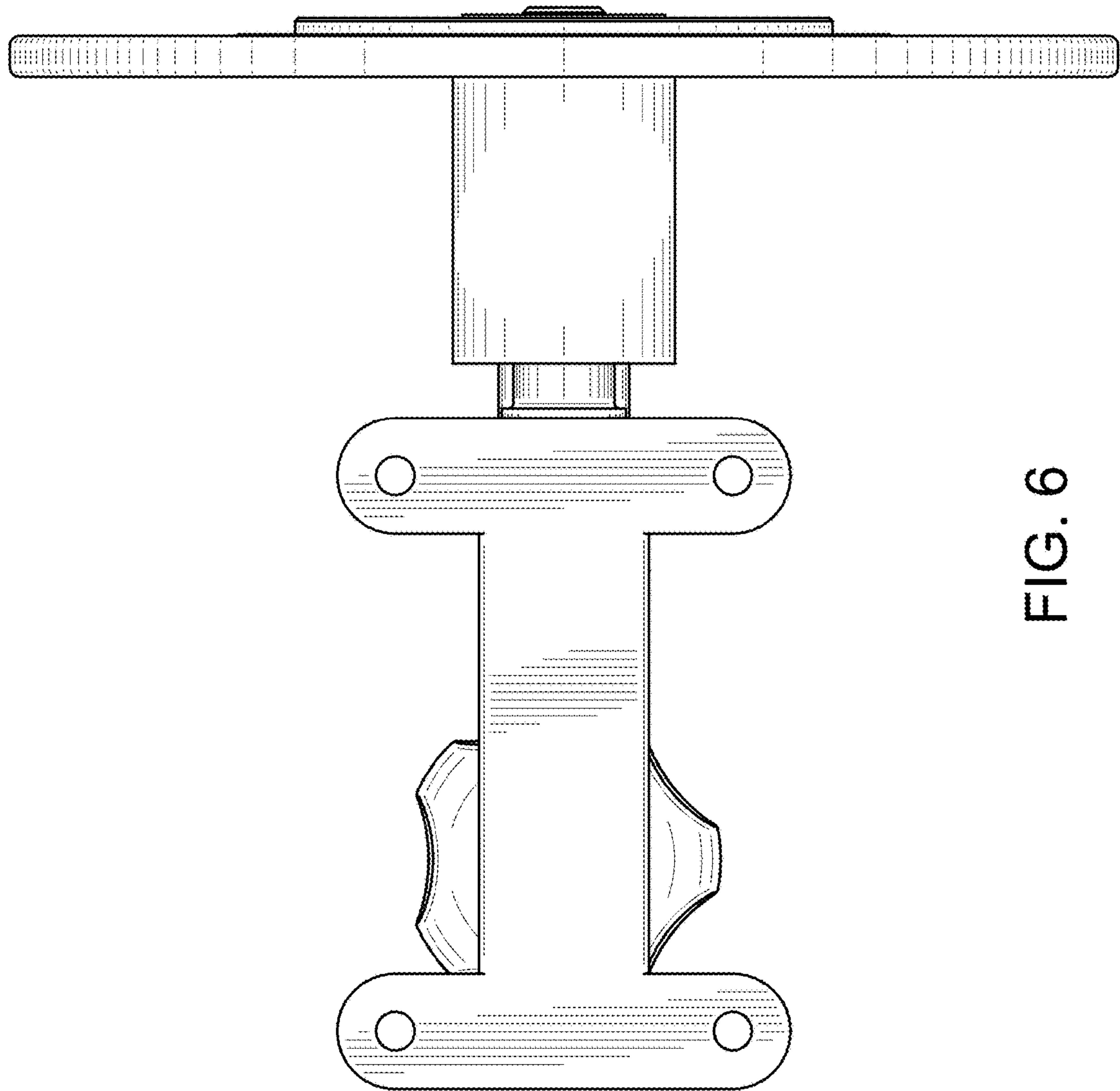


FIG. 6

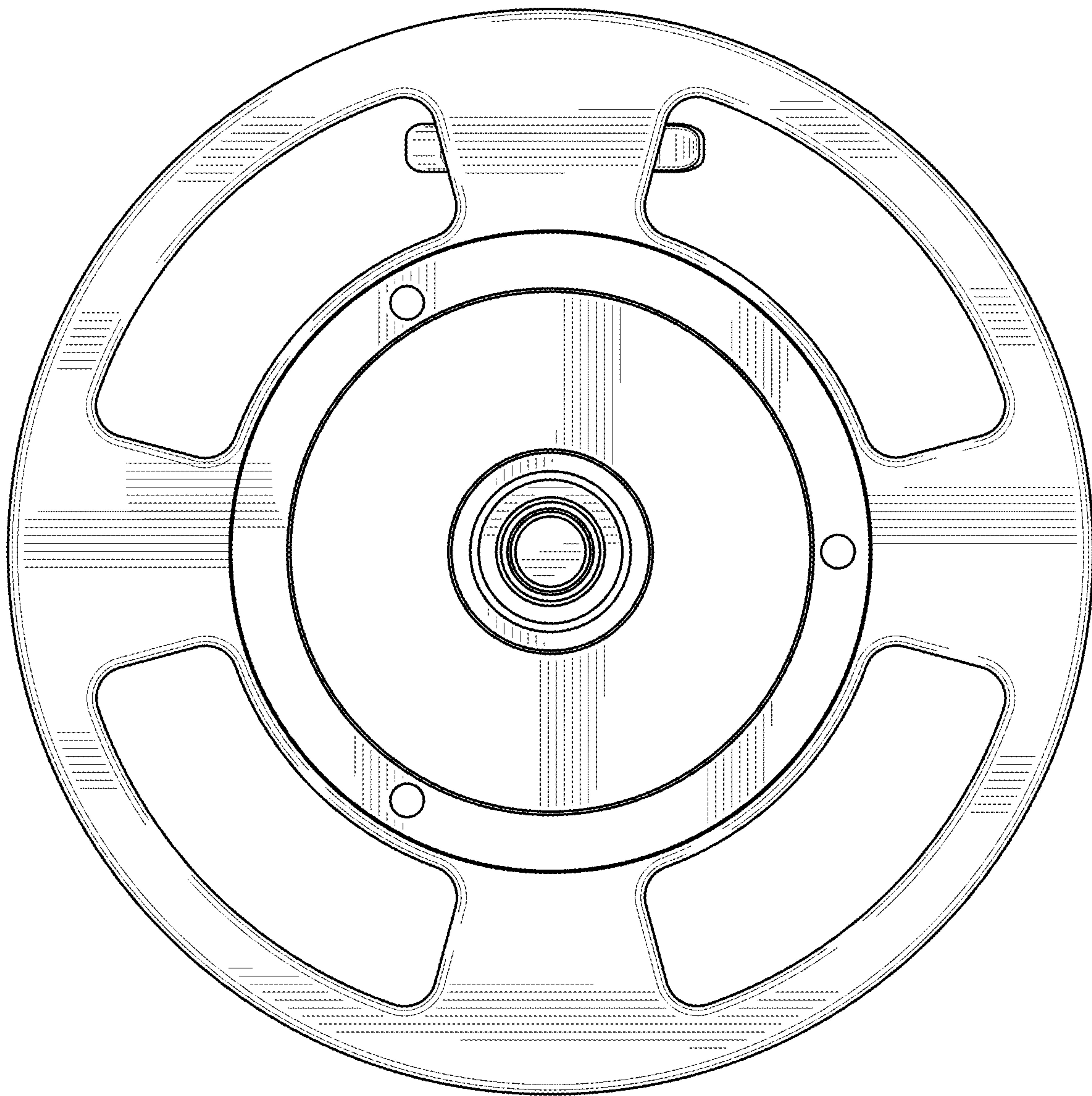


FIG. 7

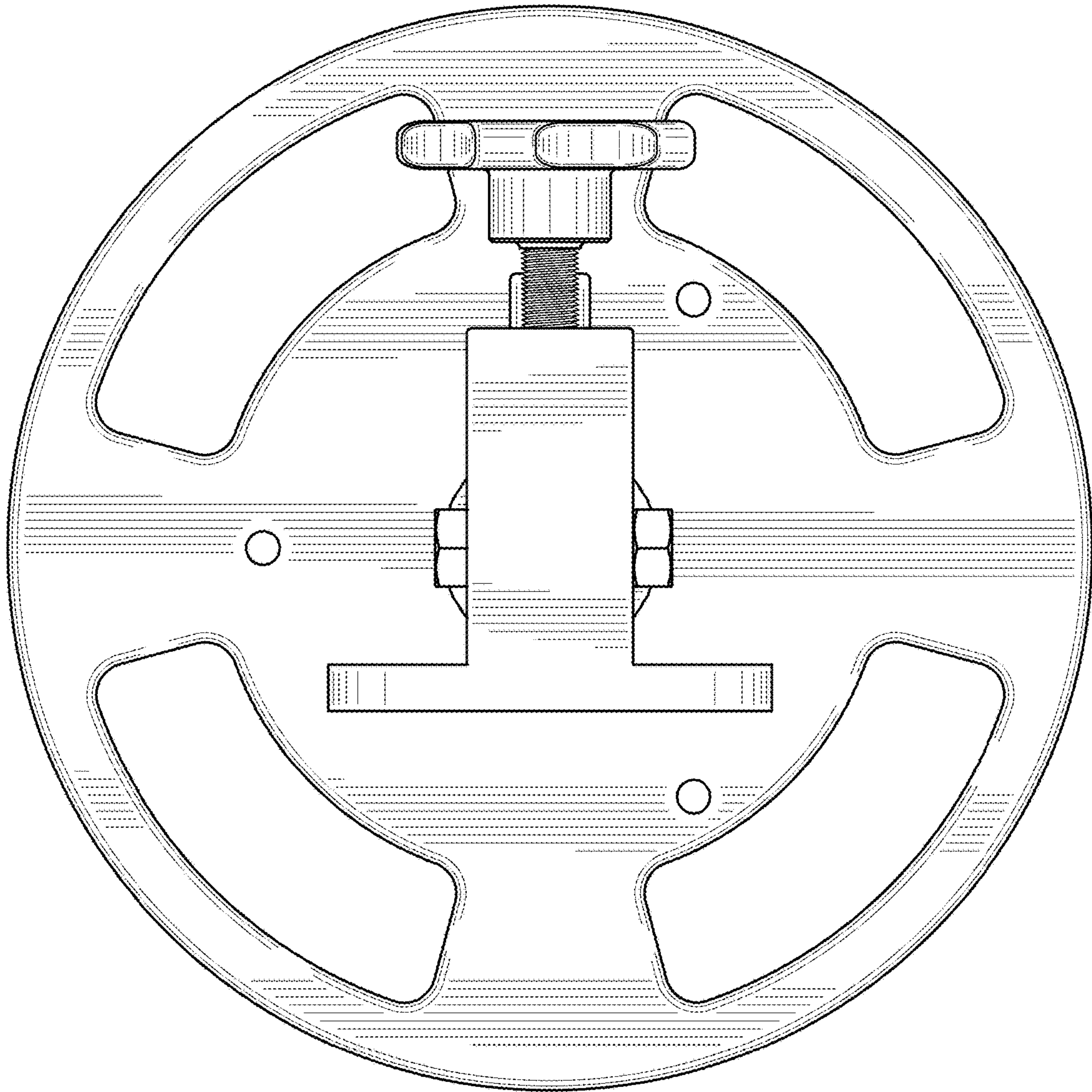


FIG. 8