



US00D785684S

(12) **United States Design Patent**
Moffatt

(10) **Patent No.:** **US D785,684 S**

(45) **Date of Patent:** **** May 2, 2017**

(54) **PUMP CANOPY**

DESCRIPTION

- (71) Applicant: **Sirius Instrumentation and Controls Inc.**, Edmonton (CA)
- (72) Inventor: **Terrence George Moffatt**, Edmonton (CA)
- (73) Assignee: **Sirius Instrumentation and Controls Inc.**, Edmonton, Alberta (CA)
- (**) Term: **15 Years**
- (21) Appl. No.: **29/533,224**
- (22) Filed: **Jul. 15, 2015**
- (30) **Foreign Application Priority Data**
 - Jan. 15, 2015 (CA) 160415
- (51) **LOC (10) Cl.** **15-09**
- (52) **U.S. Cl.**
USPC **D15/138**
- (58) **Field of Classification Search**
USPC D12/133, 317, 401, 403, 404; D15/5, 7, D15/28, 122, 138

(Continued)

(56) **References Cited**

U.S. PATENT DOCUMENTS

- 3,241,160 A * 3/1966 Escobar A47C 7/66
297/184.17
- 4,865,066 A * 9/1989 Brooks E04H 15/58
135/121

(Continued)

Primary Examiner — Patricia Palasik

(74) *Attorney, Agent, or Firm* — LeClairRyan, a Professional Corporation

(57) **CLAIM**

The ornamental design for a pump canopy, as shown and described.

FIG. 1 is a top view of a first embodiment of a pump canopy in an unshaped arrangement, the bottom view is a mirror image of the top view and thus is not shown;

FIG. 2 is a perspective view of the pump canopy as shown in FIG. 1;

FIG. 3 is an enlarged top view of the pump canopy shown in FIG. 1 in a shaped arrangement while in use;

FIG. 4 is a front view of the pump canopy shown in FIG. 3, the rear view is a mirror image of the front view and thus is not shown;

FIG. 5 is a left side view of the pump canopy shown in FIG. 3, the right side view is a mirror image of the left side view and thus is not shown;

FIG. 6 is a left side perspective view of the pump canopy shown in FIG. 3, the right side view is a mirror image of the left side view and thus is not shown;

FIG. 7 is a top view of a second embodiment of a pump canopy in an unshaped arrangement;

FIG. 8 is a perspective view of the pump canopy shown in FIG. 7;

FIG. 9 is a top view of the pump canopy shown in FIG. 1 in a shaped arrangement while in use;

FIG. 10 is front view of the pump shown in FIG. 9, the rear view is a mirror image of the front view and thus is not shown;

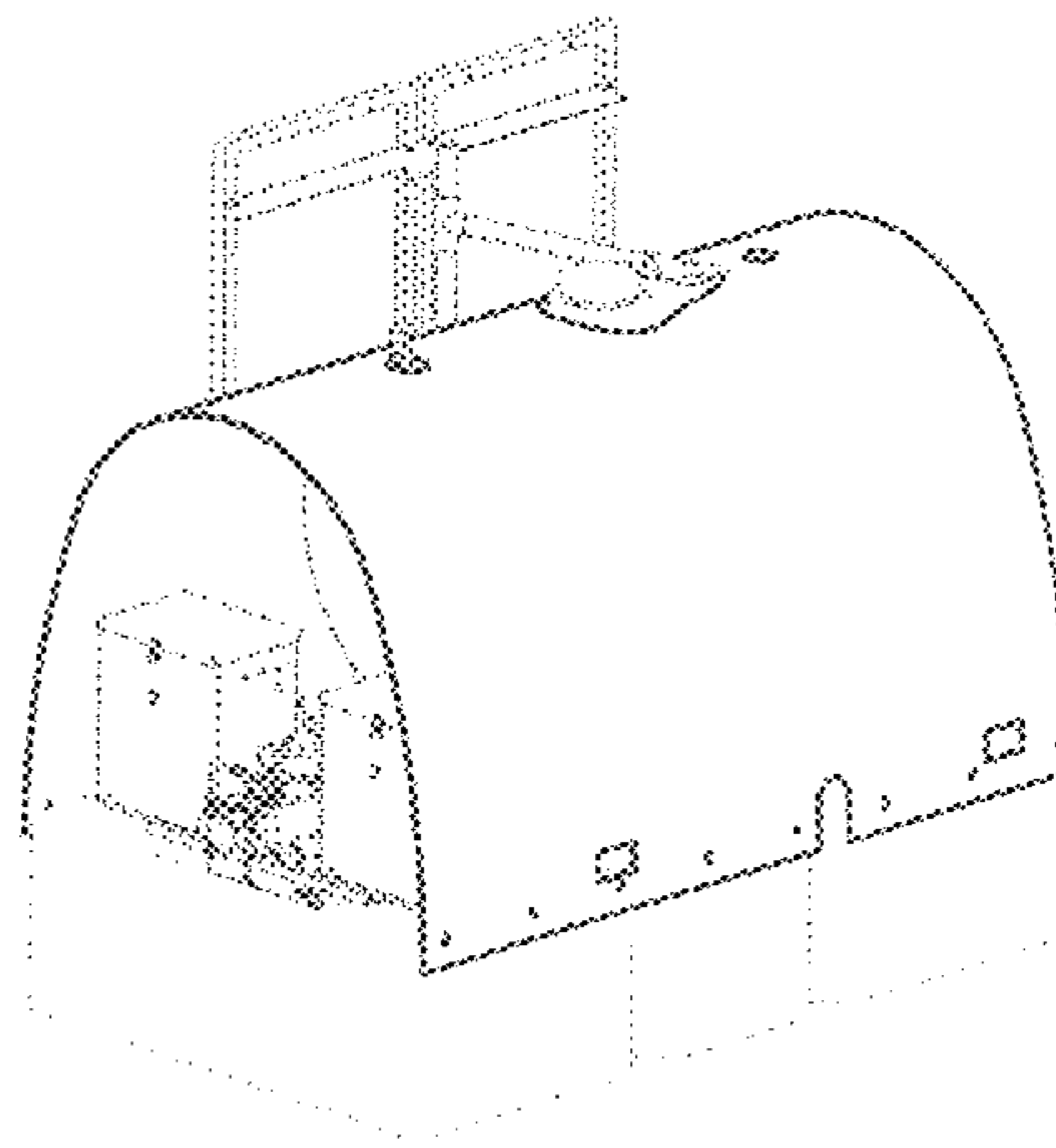
FIG. 11 is a left perspective view of the pump canopy shown in FIG. 9, the right perspective view is a mirror image of the left perspective view and thus is not shown; and,

FIG. 12 is a left side view of the pump canopy shown in FIG. 9, the right side view is a mirror image of the left side view and thus is not shown.

The broken lines showing elements of a pump depict unclaimed environmental subject matter.

The designations of the views below as top, bottom, right side, left side, front, and rear are for ease of discussion only and are not intended to limit the pump canopy to one particular orientation. The pump canopy can be oriented in other directions which would alter these designations. The views are not necessarily shown in the same scale, and any change in scale between different views is not intended limit the pump canopy to a particular size.

1 Claim, 12 Drawing Sheets



(58) **Field of Classification Search**

CPC E04H 15/58; E04H 15/646; F16B 5/0692;
G09F 15/00; Y10S 135/909

See application file for complete search history.

(56) **References Cited**

U.S. PATENT DOCUMENTS

4,915,120 A * 4/1990 Ziolkowski A47C 7/66
135/117
5,515,564 A * 5/1996 Lyons A47C 1/14
190/1
D371,262 S * 7/1996 Forbes, Sr. D6/716.8
7,963,596 B2 * 6/2011 Efthimiou A47C 7/66
297/184.1
8,424,142 B2 * 4/2013 Garti E04H 4/1654
15/1.7
D725,424 S * 3/2015 Cohen D6/716.8
D741,030 S * 10/2015 Cegielski D30/161
D755,109 S * 5/2016 Braaten-Boyd D12/317
D757,828 S * 5/2016 Lange D15/122
9,383,113 B1 * 7/2016 Renwick F24C 15/22

2011/0094164 A1* 4/2011 Seeger A01F 25/166
52/2.14
2012/0306330 A1* 12/2012 DeMars A47F 9/00
312/140.2
2013/0050975 A1* 2/2013 Carpenter F02B 63/048
361/807
2014/0020727 A1* 1/2014 Kayser E04H 15/44
135/148
2014/0021736 A1* 1/2014 Chenoweth H02H 7/0855
296/100.11
2014/0157662 A1* 6/2014 Wallace A01G 9/241
47/17
2014/0202512 A1* 7/2014 Jin E04H 15/46
135/140
2014/0292020 A1* 10/2014 Gallo B60J 7/1278
296/116
2015/0308143 A1* 10/2015 Levin E04H 15/36
135/121
2016/0115704 A1* 4/2016 Burke E04H 15/02
135/126
2016/0286823 A1* 10/2016 Kesig A21C 1/1445
2016/0324324 A1* 11/2016 Wilkerson
Altonen E04H 15/40

* cited by examiner

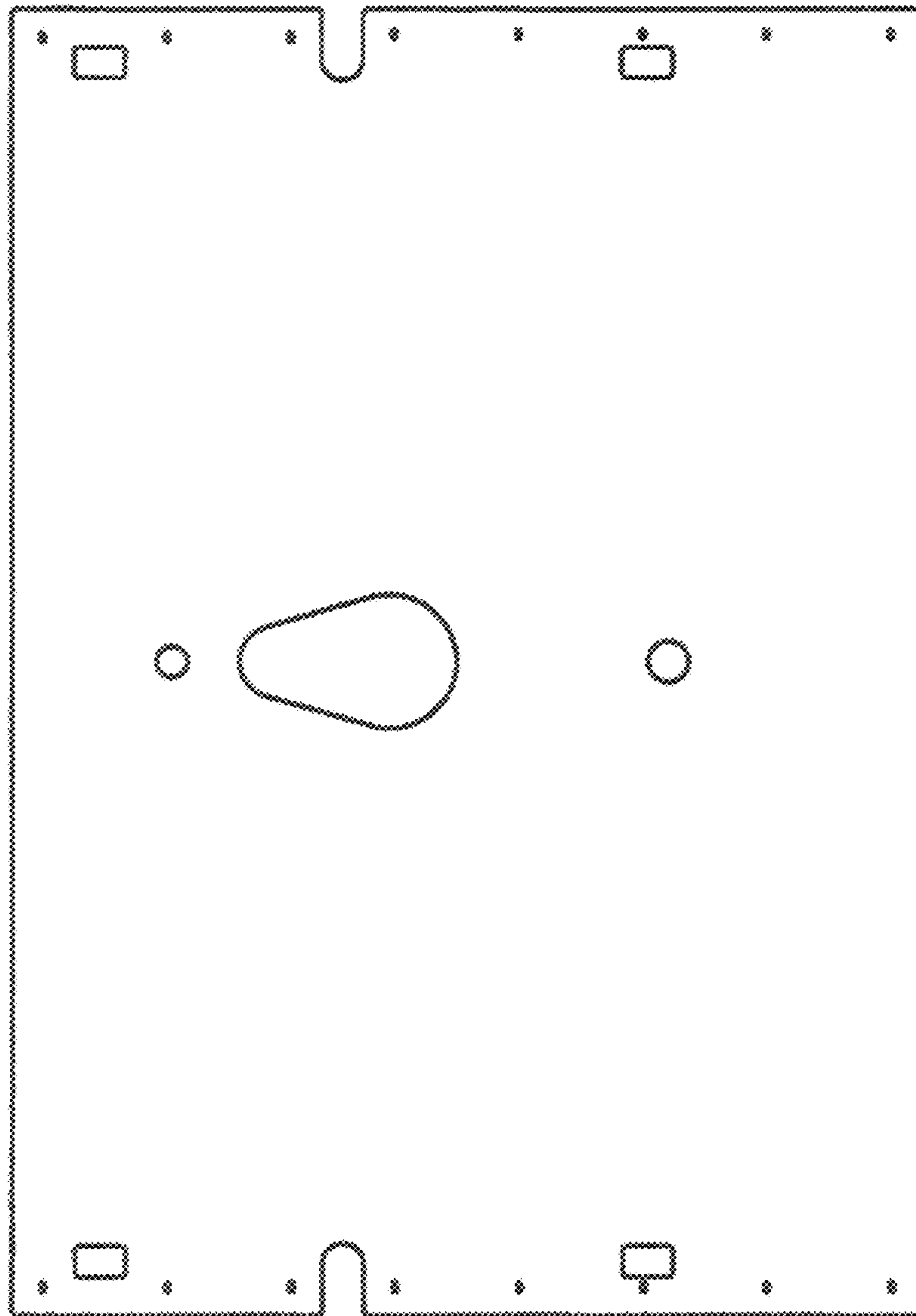


FIG. 1

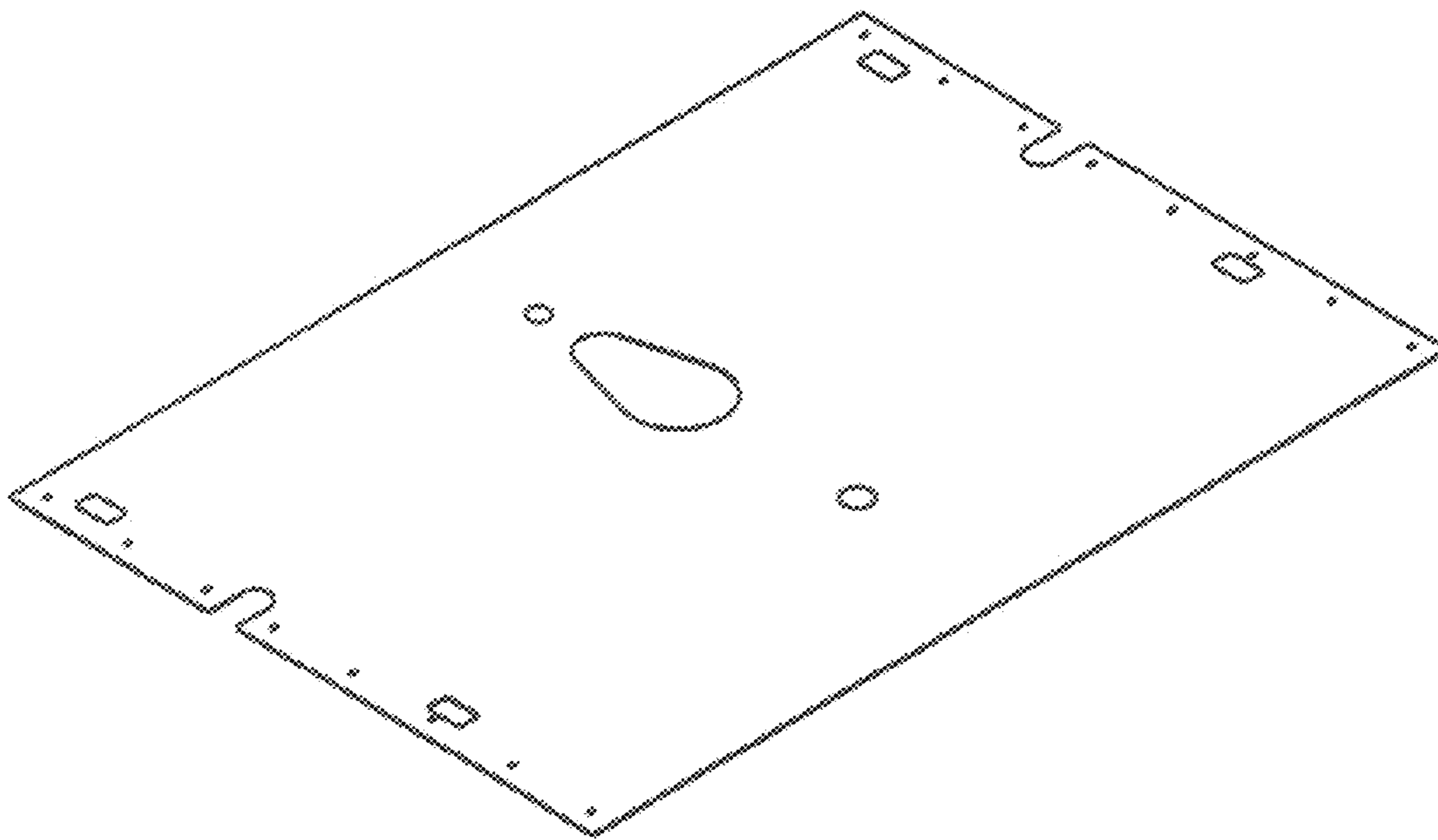


FIG. 2

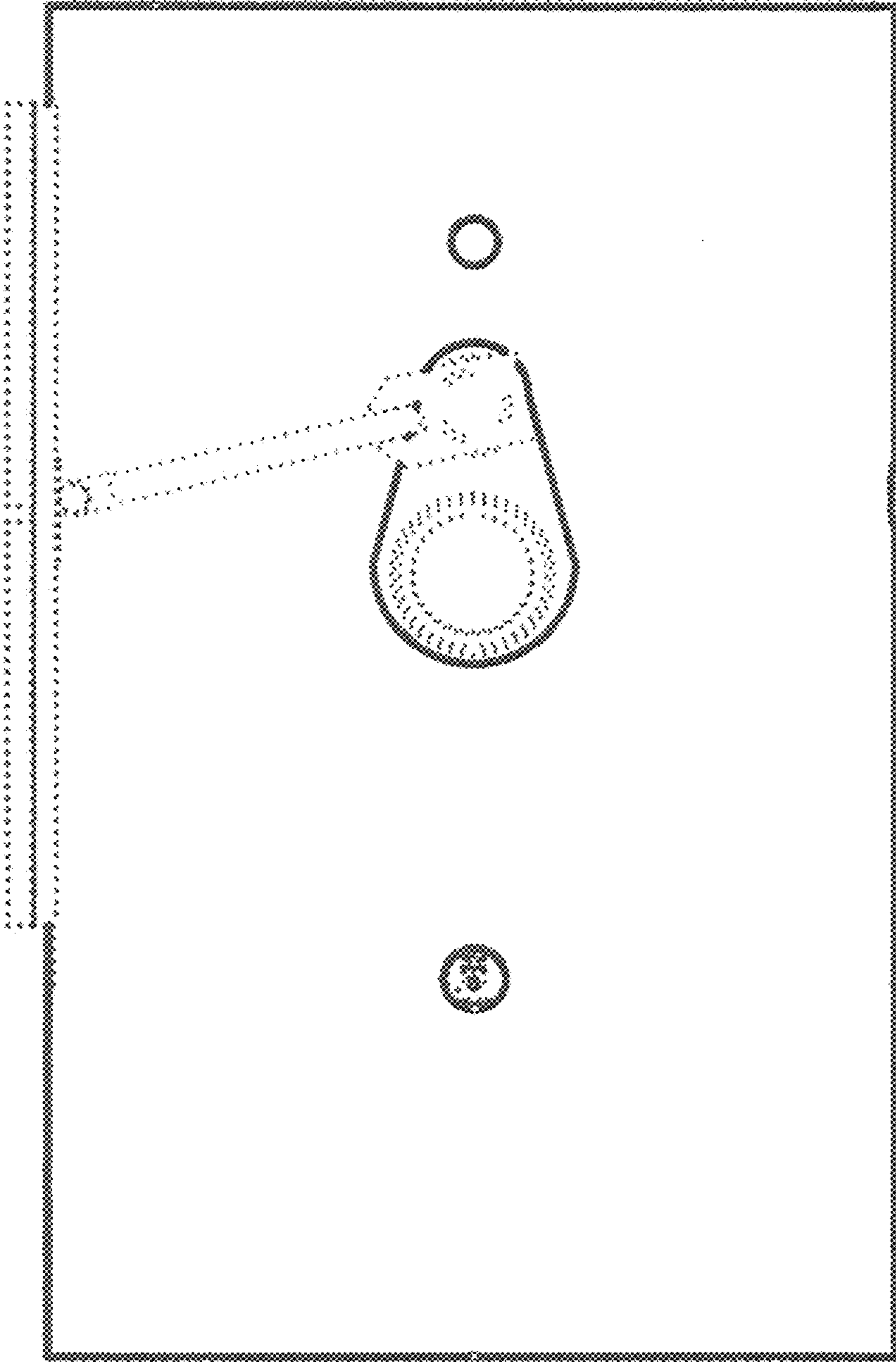


FIG. 3

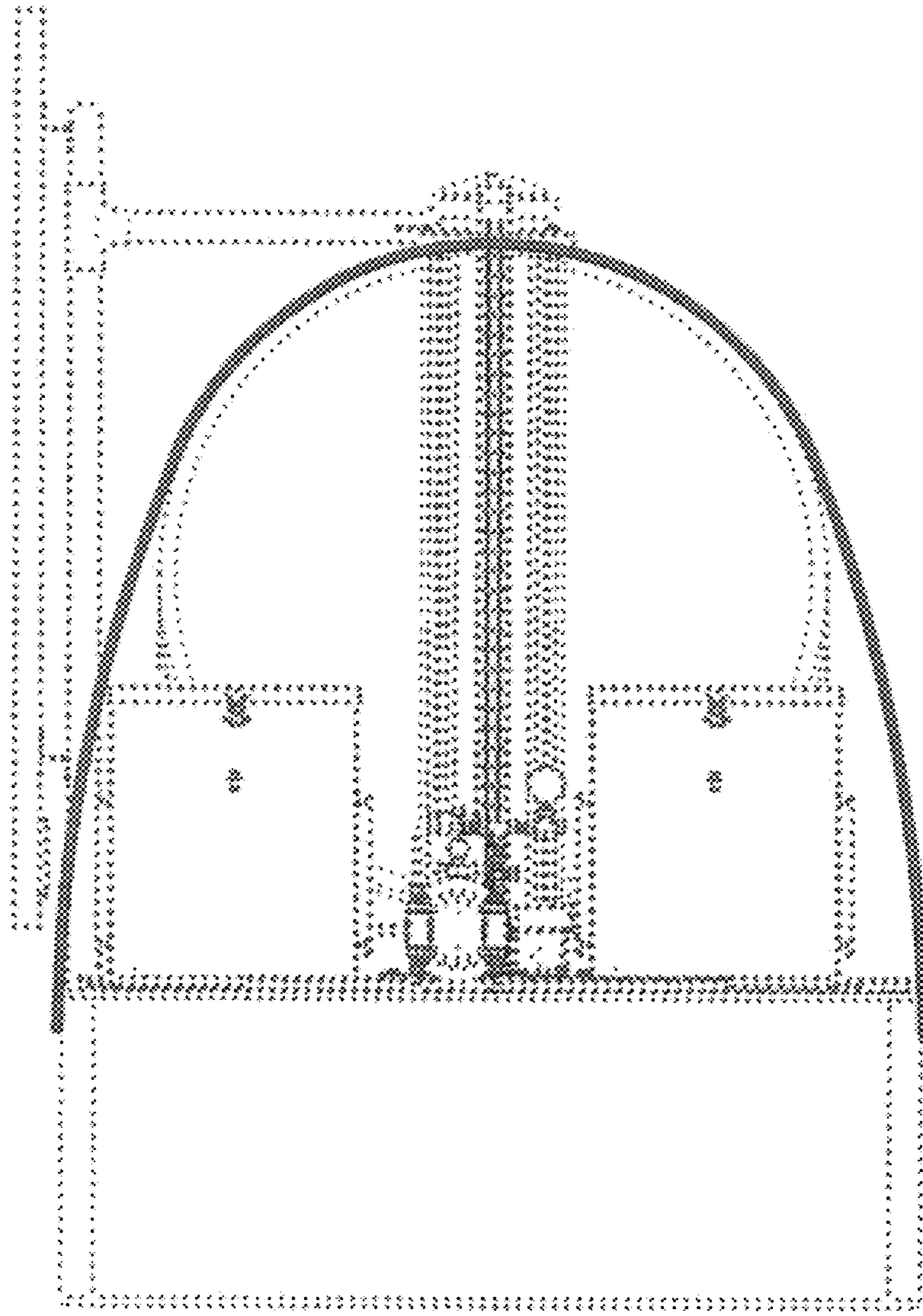


FIG. 4

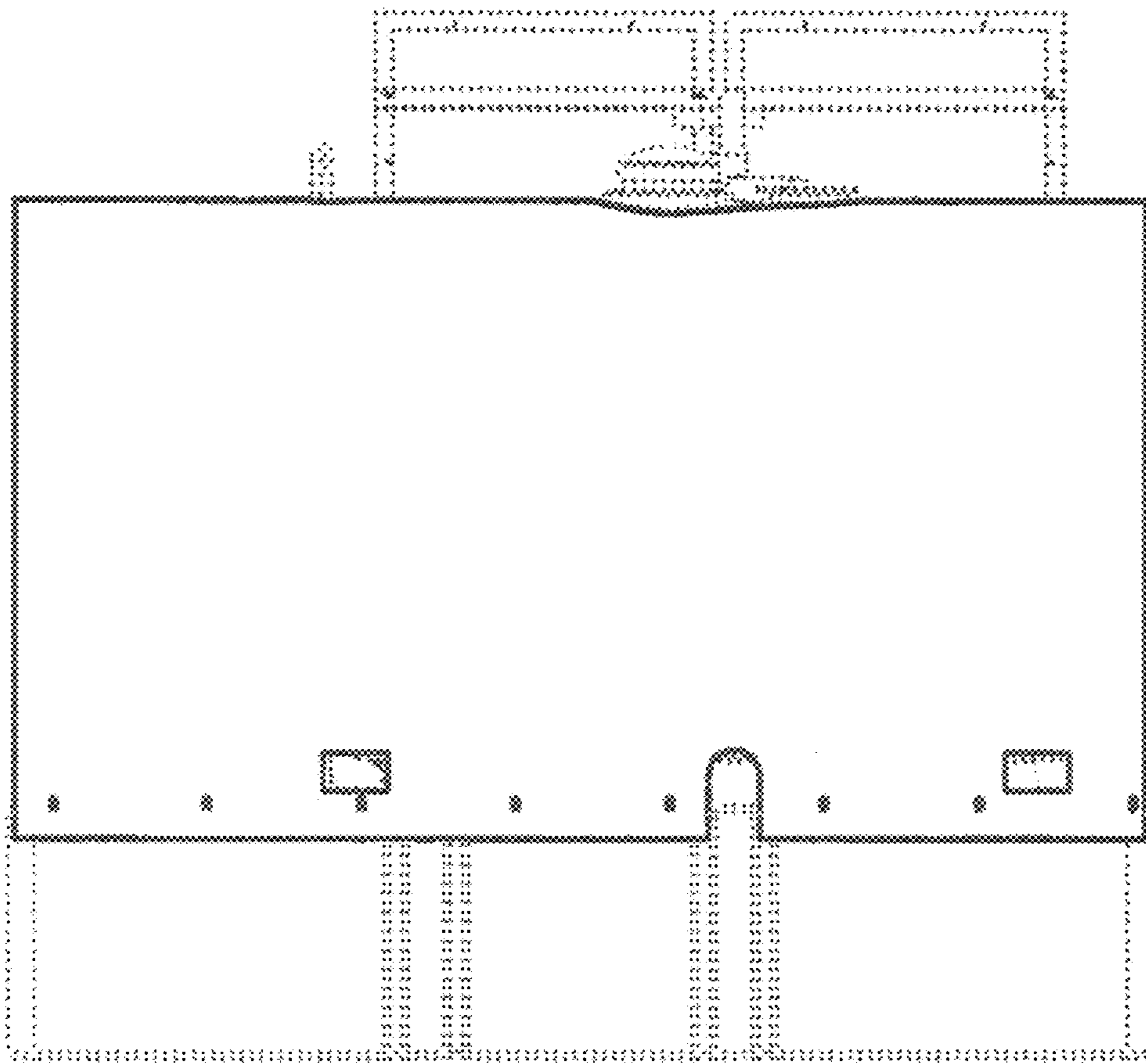


FIG. 5

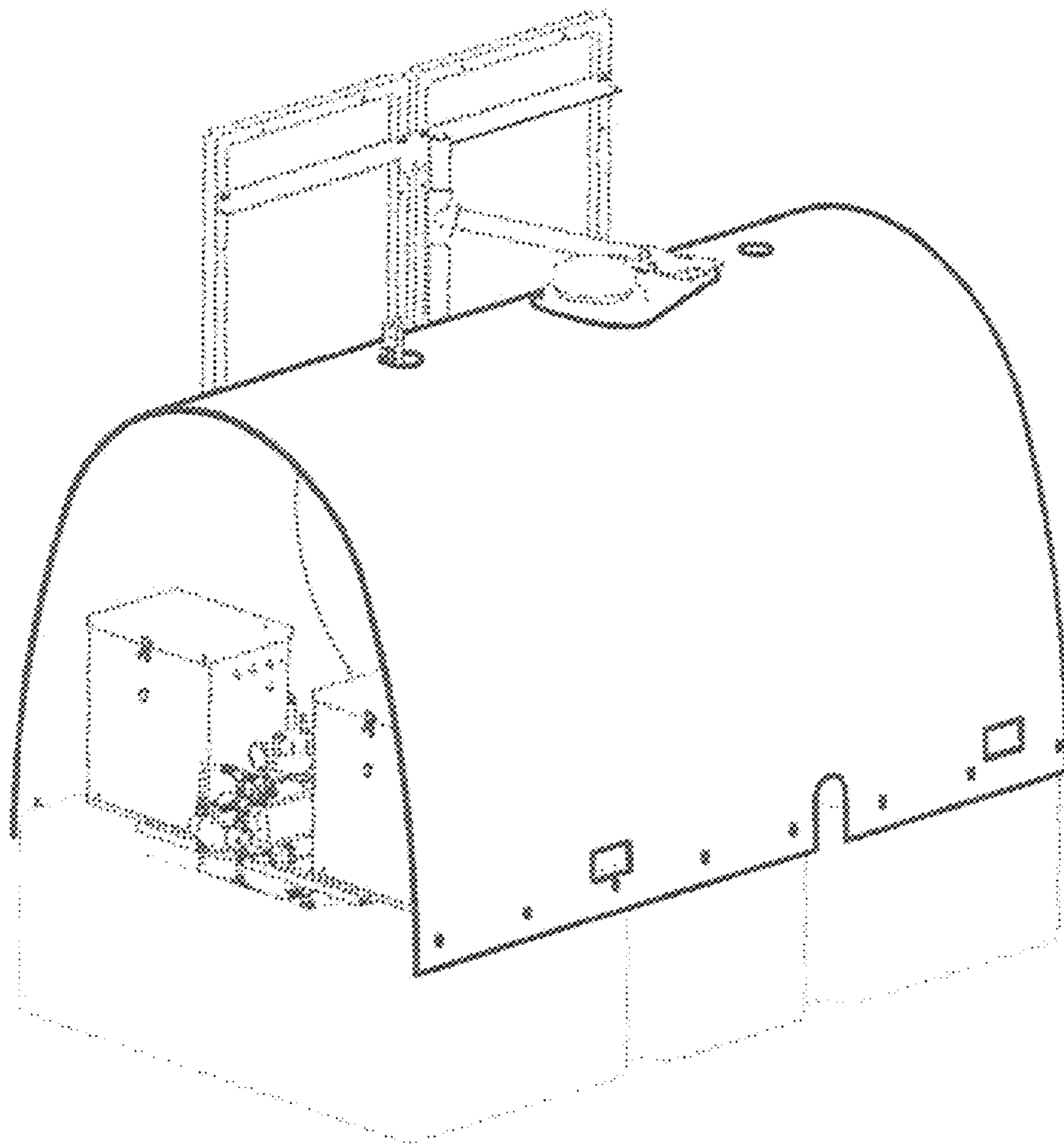


FIG. 6

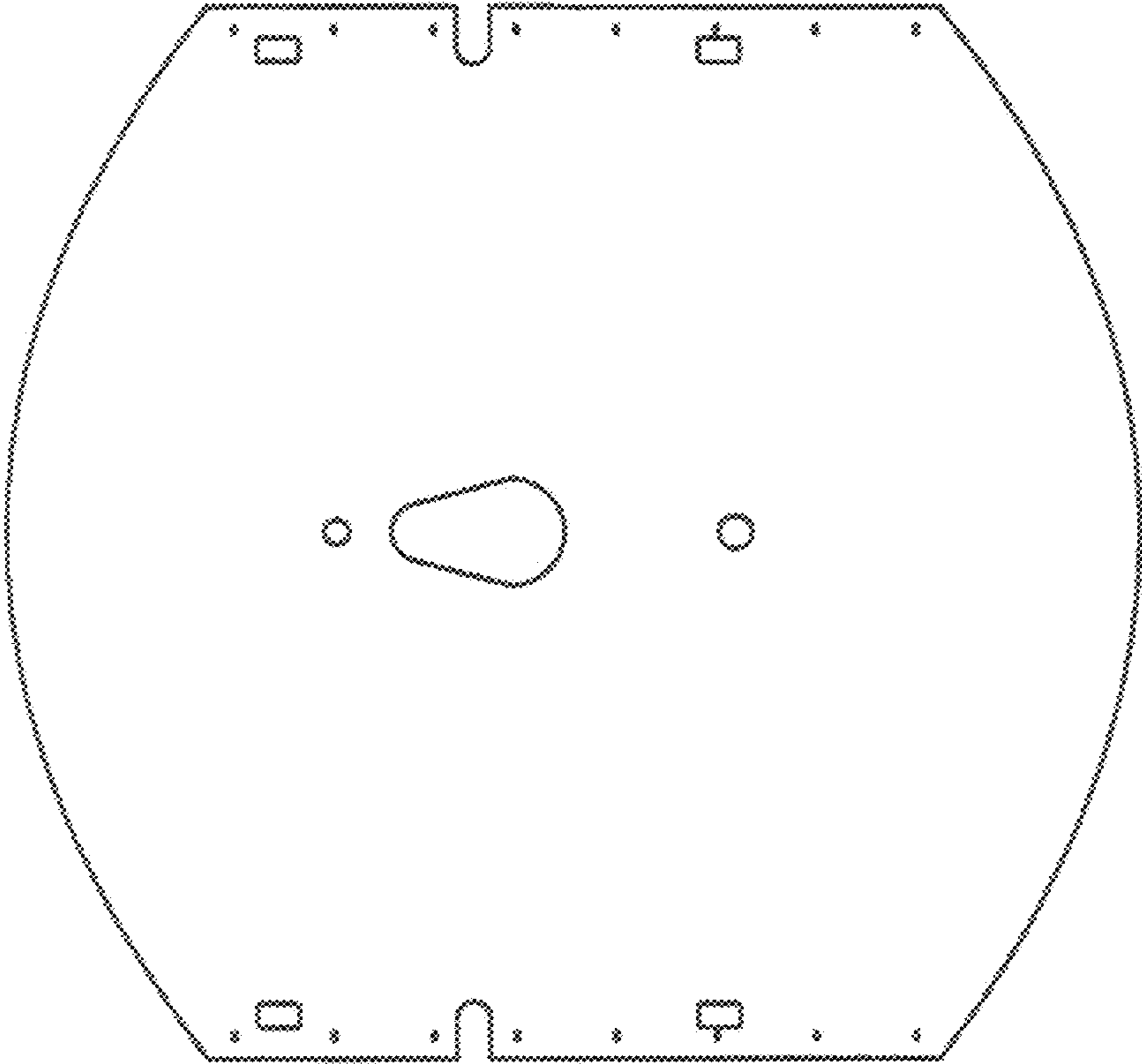


FIG. 7

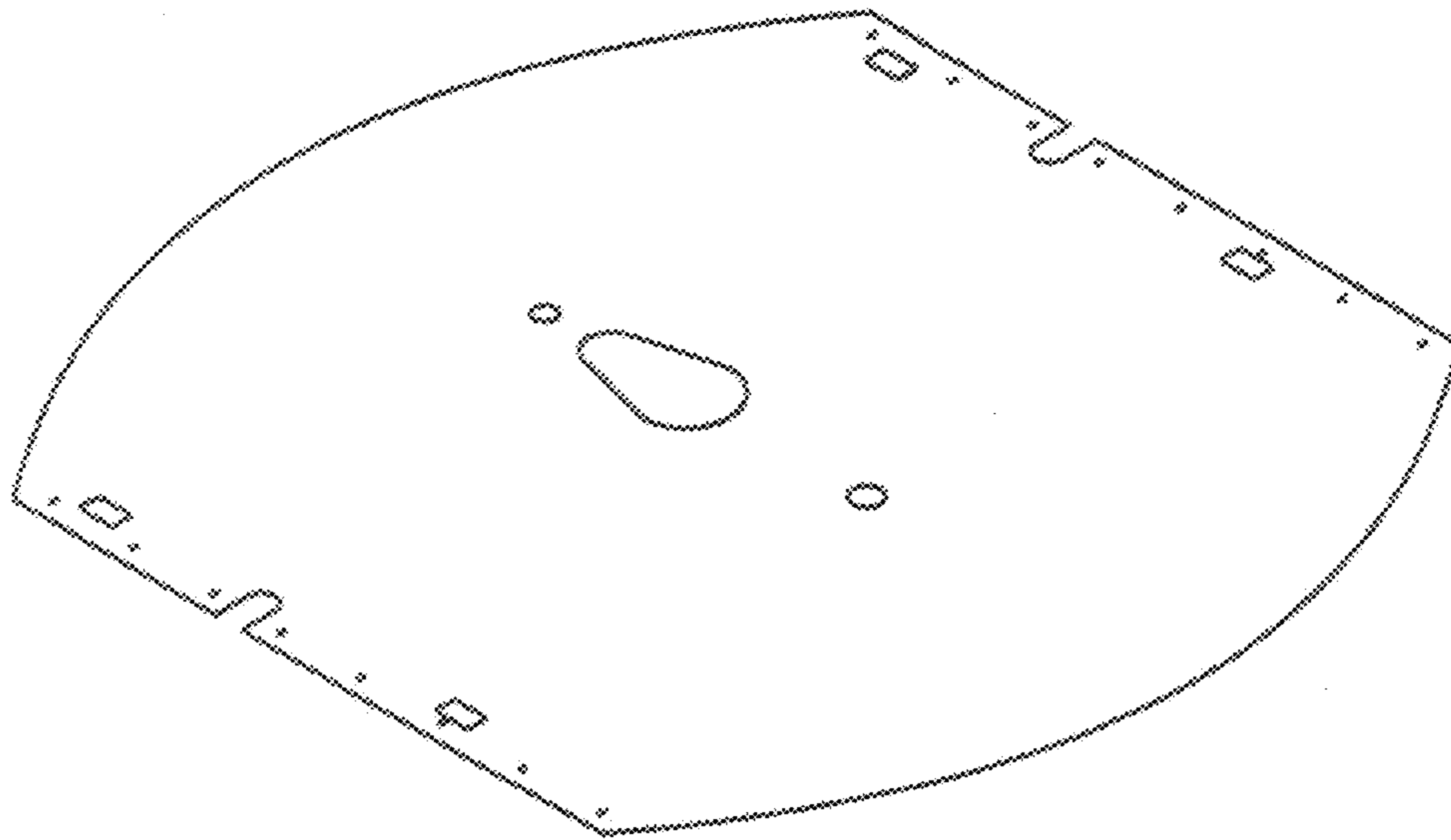


FIG. 8

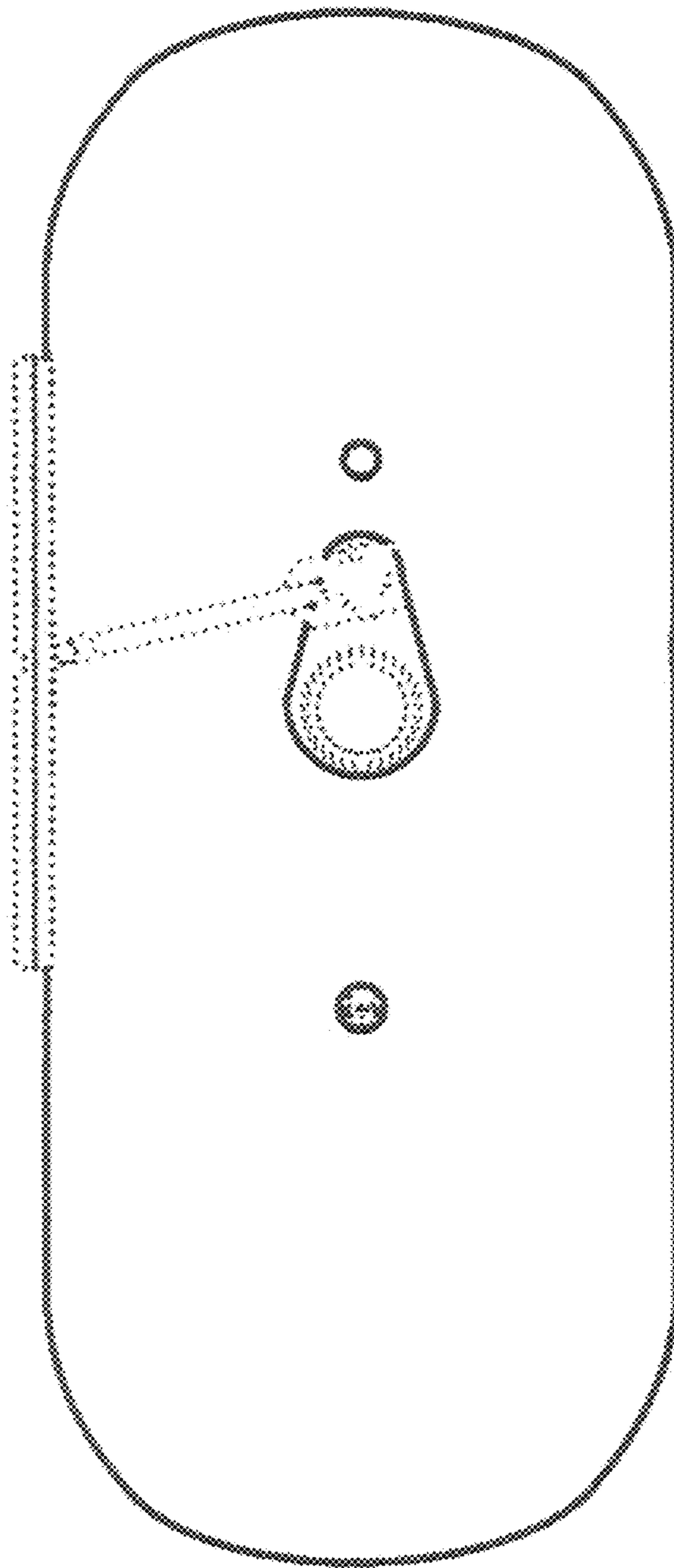


FIG. 9

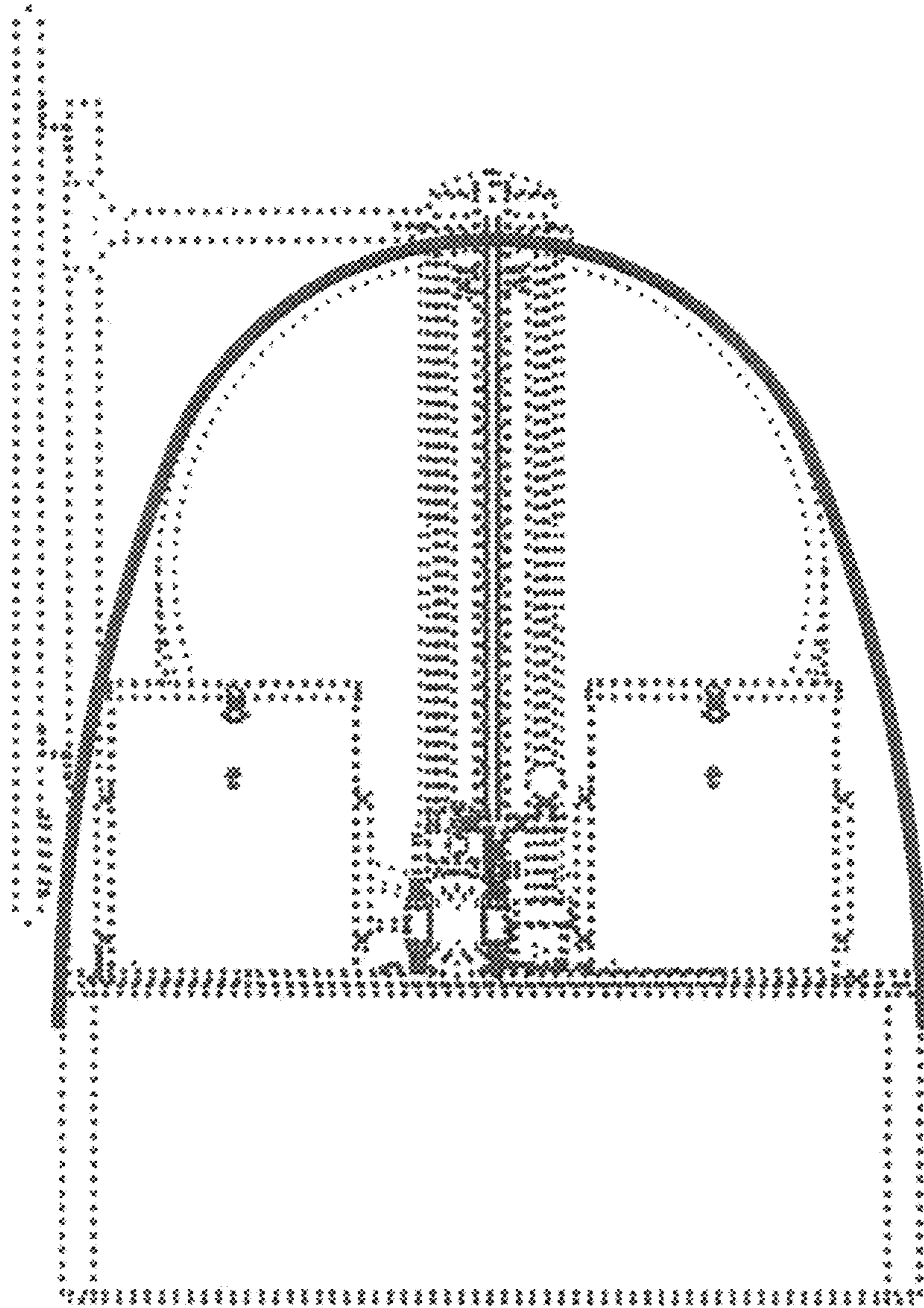


FIG. 10

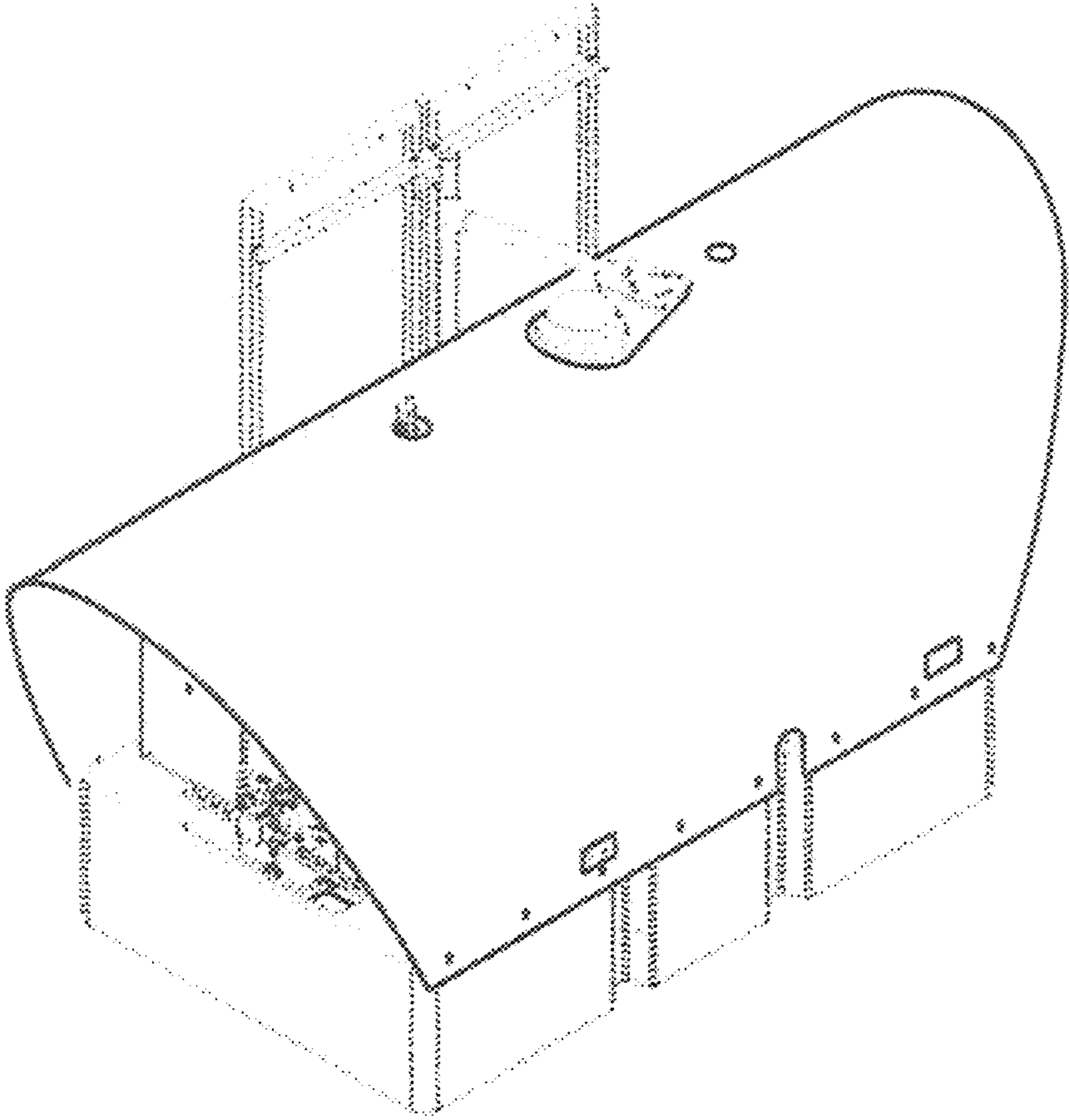


FIG. 11

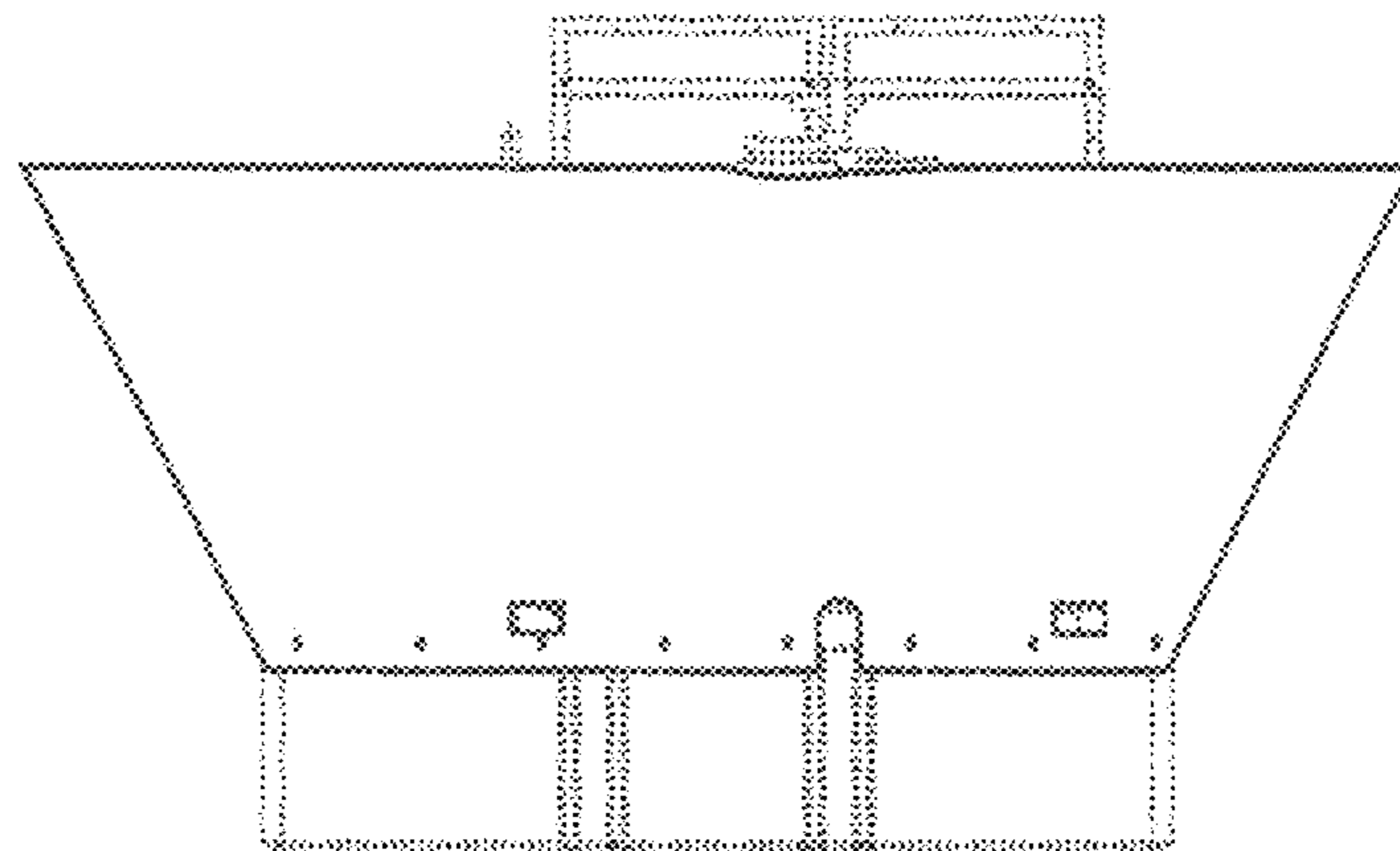


FIG. 12