



US00D785683S

(12) **United States Design Patent** (10) **Patent No.:** **US D785,683 S**
Grobe (45) **Date of Patent:** **** May 2, 2017**

(54) **OPERATION INTERFACE**

(71) Applicant: **Dürr Ecoclean GmbH**, Filderstadt (DE)

(72) Inventor: **Stefan Grobe**, Dettenhausen (DE)

(73) Assignee: **Dürr Ecoclean GmbH**, Filderstadt (DE)

(**) Term: **14 Years**

(21) Appl. No.: **29/503,751**

(22) Filed: **Sep. 29, 2014**

(30) **Foreign Application Priority Data**

Apr. 18, 2014 (WO) DM/083 717

(51) **LOC (10) Cl.** **15-09**

(52) **U.S. Cl.**
USPC **D15/122**

(58) **Field of Classification Search**
USPC D14/307; D15/122, 138, 199
See application file for complete search history.

(56) **References Cited**

U.S. PATENT DOCUMENTS

D415,330 S * 10/1999 King D14/900
D505,948 S * 6/2005 Vrachan D14/307

(Continued)

Primary Examiner — Patricia Palasik

(74) *Attorney, Agent, or Firm* — Hanley, Flight & Zimmerman, LLC

(57) **CLAIM**

The ornamental design for an “operation interface,” as shown and described.

DESCRIPTION

The patent or application file contains at least one drawing executed in color. Copies of this patent or patent application

publication with color drawing(s) will be provided by the Office upon request and payment of the necessary fee.

FIG. 1 is a front view of an operation interface.

FIG. 2 is a left-side view of the operation interface of FIG. 1.

FIG. 3 is a top view of the operation interface of FIG. 1.

FIG. 4 is a front perspective view of the operation interface of FIG. 1.

FIG. 5 is a rear perspective view of the operation interface of FIG. 1.

FIG. 6 is a right-side view of the operation interface of FIG. 1.

FIG. 7 is a rear side view of the operation interface of FIG. 1.

FIG. 8 is a bottom view of the operation interface of FIG. 1.

FIG. 9 is a front view of a second example of the operation interface.

FIG. 10 is a right-side view of the operation interface of FIG. 9.

FIG. 11 is a top view of the operation interface of FIG. 9.

FIG. 12 is a front perspective view of the operation interface of FIG. 9.

FIG. 13 is a second front perspective view of the operation interface of FIG. 9.

FIG. 14 is a rear perspective view of the operation interface of FIG. 9.

FIG. 15 is a left-side view of the operation interface of FIG. 9.

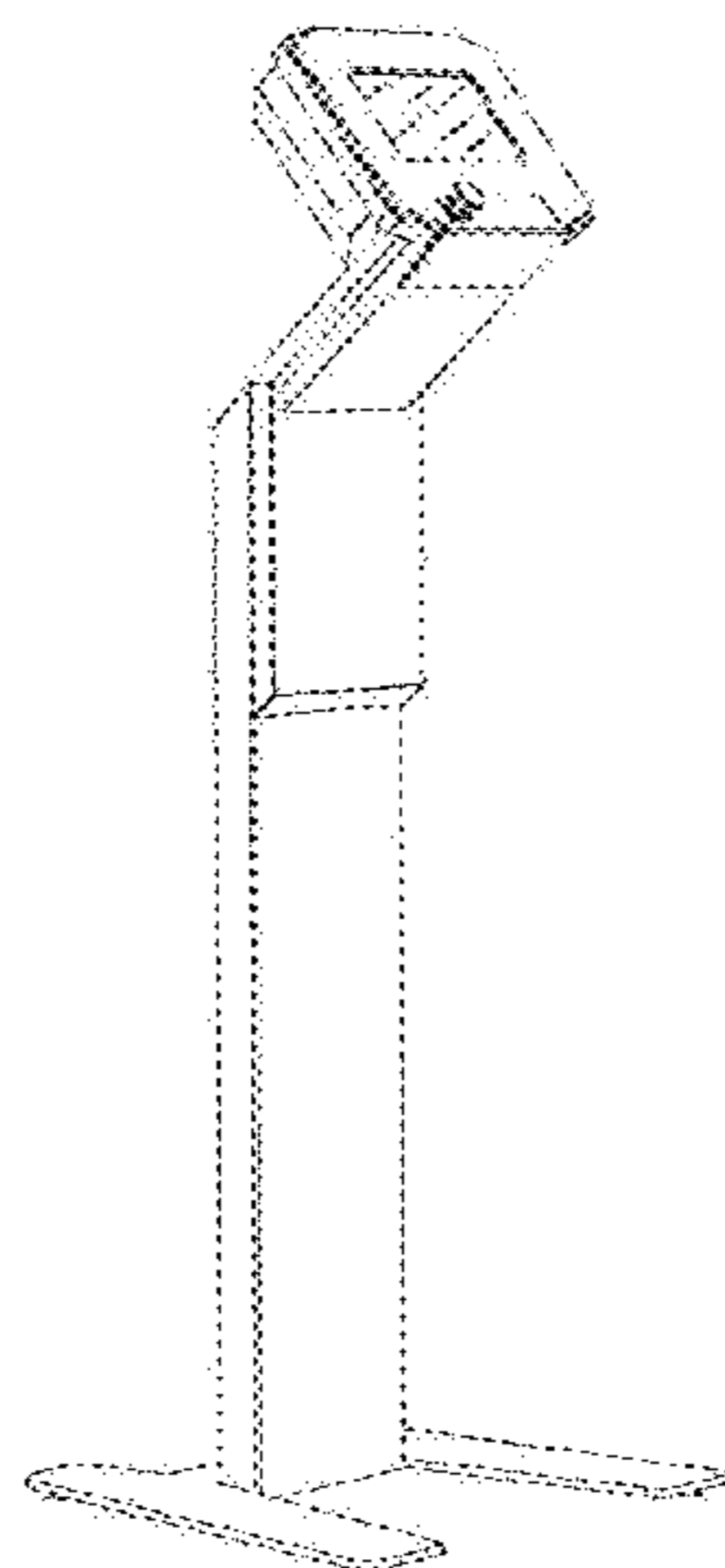
FIG. 16 is a rear side view of the operation interface of FIG. 9.

FIG. 17 is a bottom view of the operation interface of FIG. 9; and,

FIG. 18 is a front perspective view of an operation interface that is the same as the operation interface of FIG. 4 but the operation interface of FIG. 18 is executed in color.

While FIGS. 1-18 include solid lines, it is the Applicant’s intention to disclose all of the features of FIGS. 1-18 as part of the specification and to reserve the right to claim any or all of those features in any combination in this or a continuing application by converting any one or more solid lines of FIGS. 1-18 into broken lines in order to claim any aspect(s) of this disclosed design in isolation or in any combination. The Applicant’s disclosure is, thus, not limited

(Continued)



to the claim reflected in FIGS. 1-18 but encompasses every aspect of FIGS. 1-18 alone and/or in combination. The broken lines in the drawings depict unclaimed environmental subject matter. The features shown in broken lines form no part of the claimed design.

**1 Claim, 18 Drawing Sheets
(1 of 18 Drawing Sheet(s) Filed in Color)**

(56)

References Cited

U.S. PATENT DOCUMENTS

D565,044 S * 3/2008 Witts D14/307
D590,387 S * 4/2009 Chen D14/307
D605,189 S * 12/2009 Kuroda D14/307
D605,191 S * 12/2009 Kuroda D14/307
D639,800 S * 6/2011 Magruder D14/307
D661,293 S * 6/2012 Kuroda D14/307
D676,038 S * 2/2013 Masuda D14/307

D695,285 S * 12/2013 Smith D14/307
D696,658 S * 12/2013 Winston D14/307
D702,675 S * 4/2014 Jones D14/307
D707,674 S * 6/2014 Daniel D14/307
D717,785 S * 11/2014 Winston D14/307
D721,696 S * 1/2015 Birgeoglu D14/307
D722,313 S * 2/2015 Birgeoglu D14/307
D723,025 S * 2/2015 Birgeoglu D14/307
D723,026 S * 2/2015 Birgeoglu D14/307
D726,706 S * 4/2015 Kraft D14/307
D727,307 S * 4/2015 Kraft D14/307
D727,308 S * 4/2015 Kraft D14/307
D732,015 S * 6/2015 Alekhin D14/307
D732,520 S * 6/2015 Themann D14/307
D732,521 S * 6/2015 Chadbourne D14/307
D734,315 S * 7/2015 Masuda D14/307
D742,870 S * 11/2015 Berini D14/307
D751,061 S * 3/2016 Berini D14/307
D751,638 S * 3/2016 Chung D18/53
D752,032 S * 3/2016 Taylor D14/307
D752,142 S * 3/2016 Chung D18/53
2012/0293642 A1 * 11/2012 Berini G06F 21/32
348/77

* cited by examiner

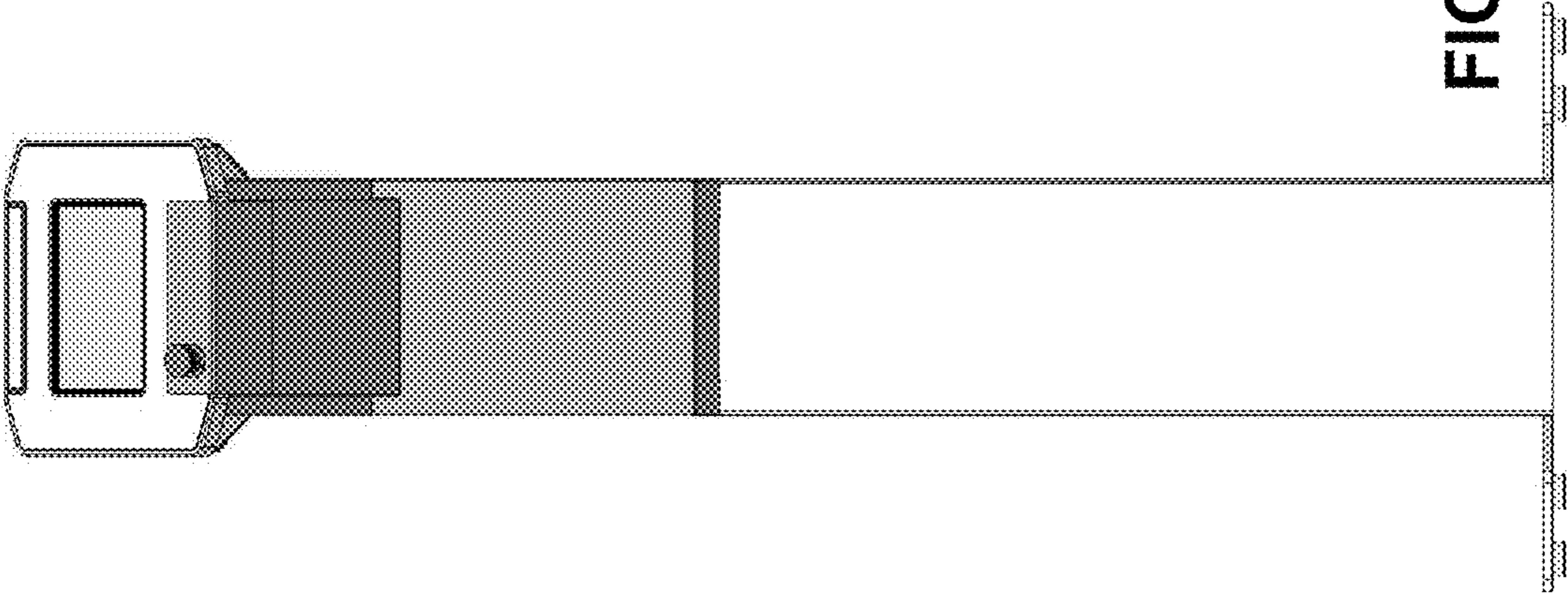


FIG. 1

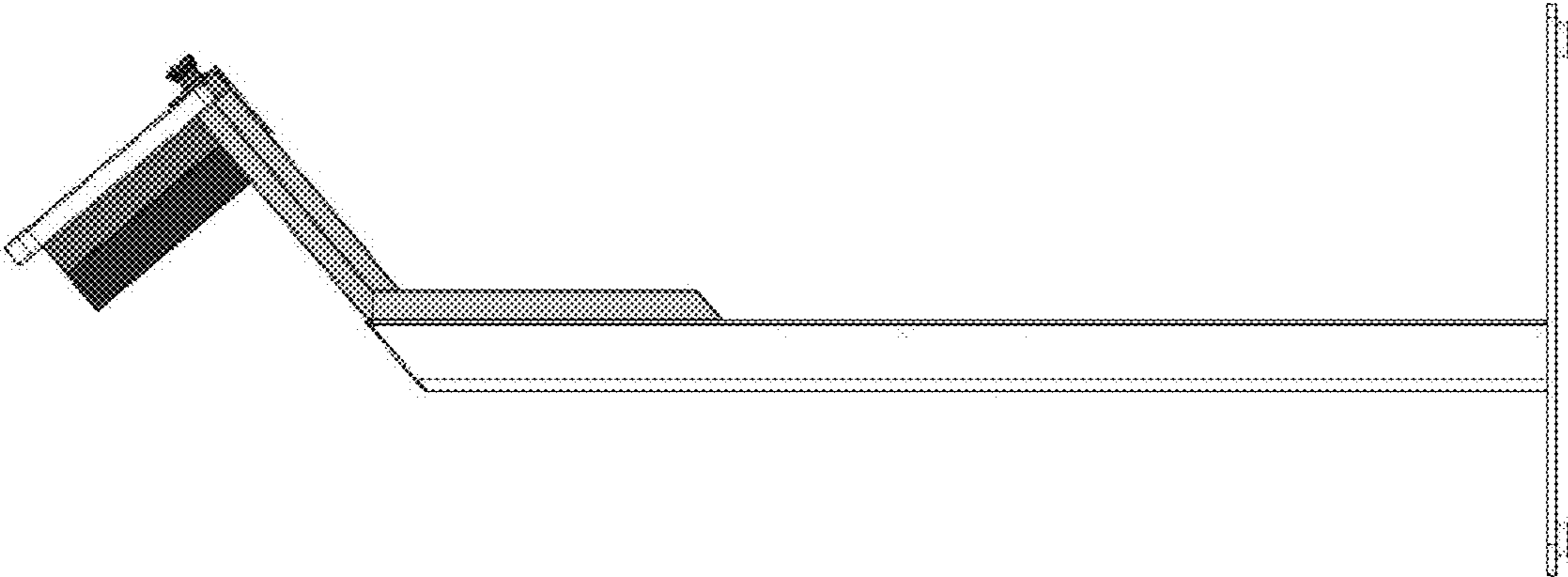


FIG. 2

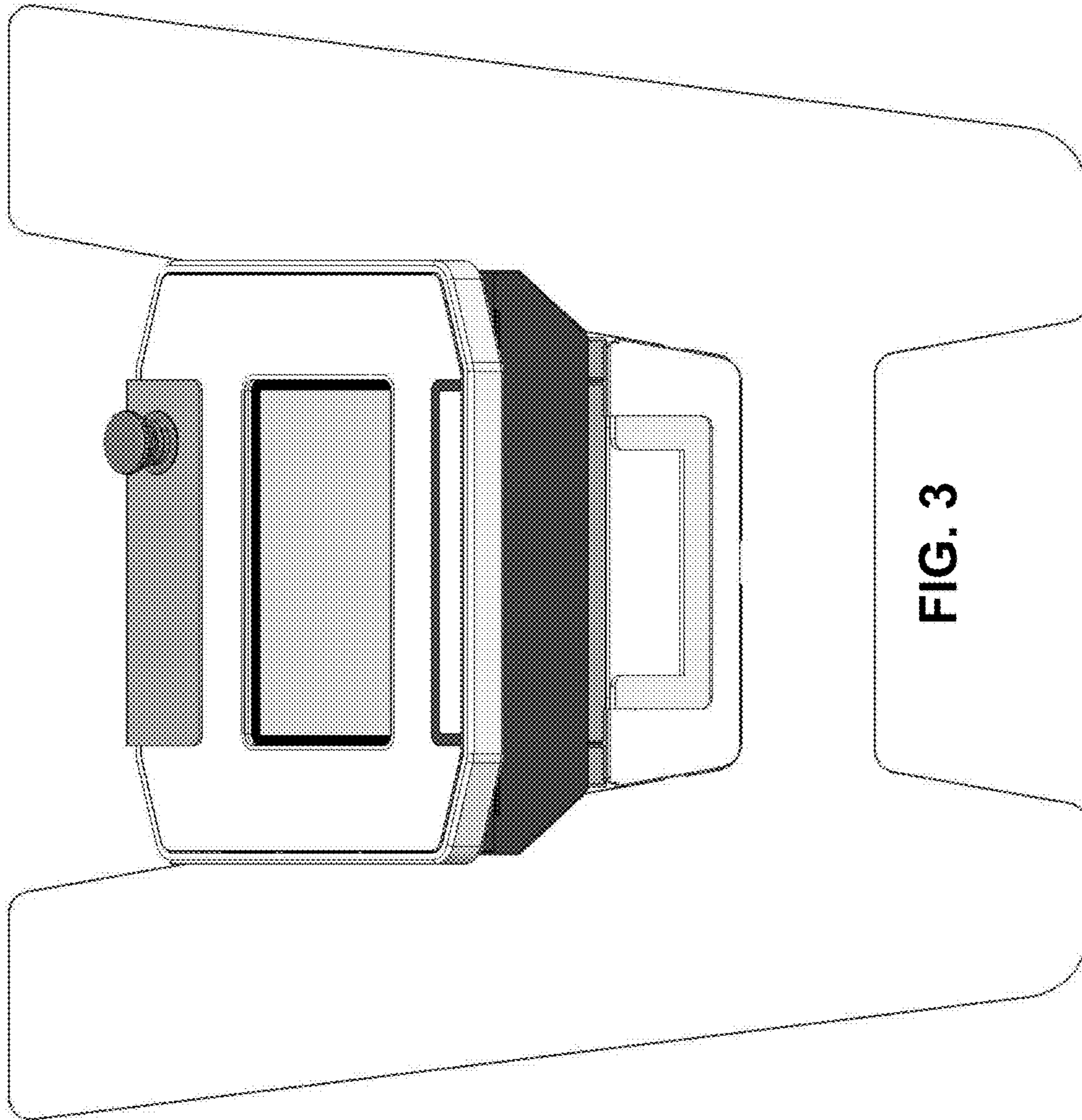


FIG. 3

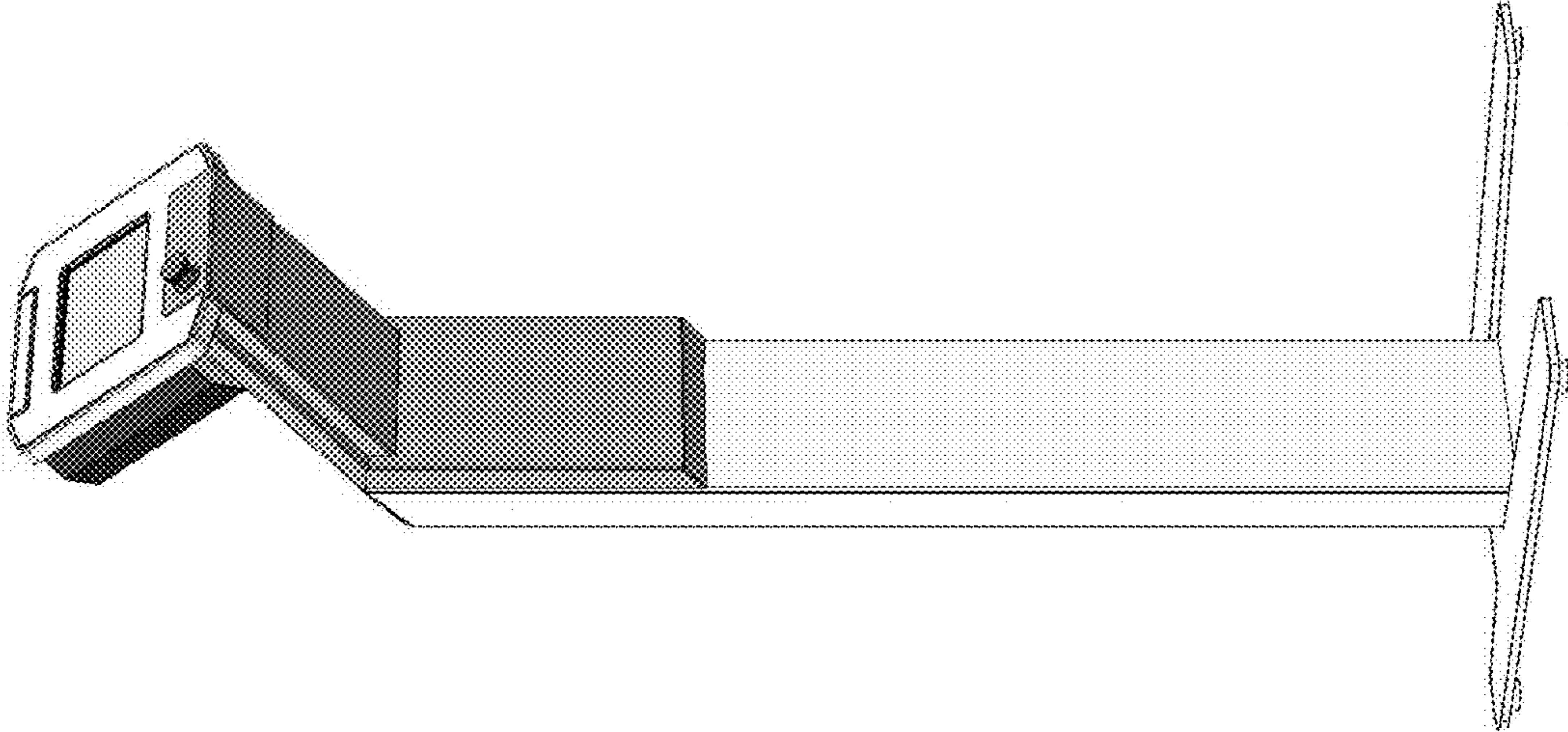


FIG. 4

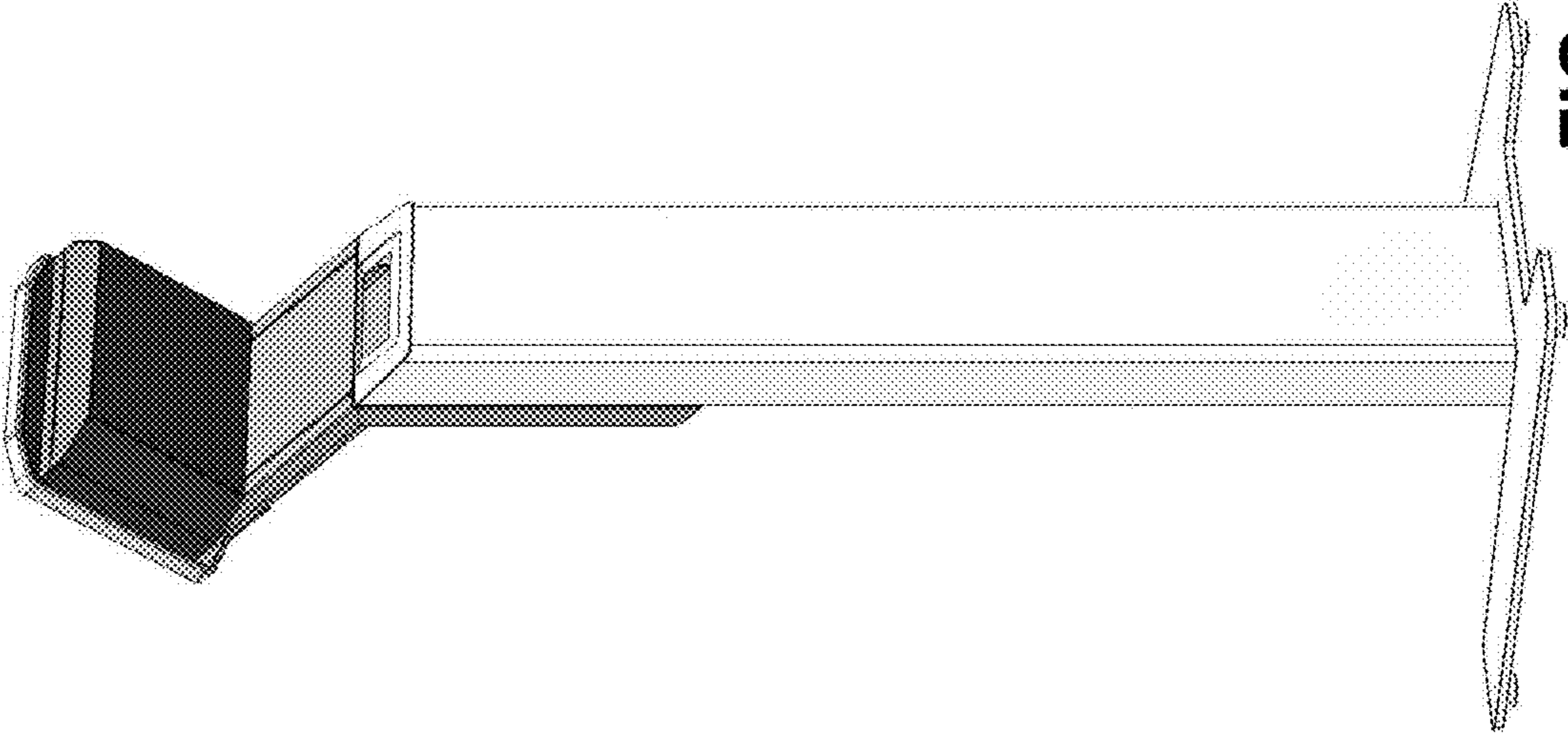


FIG. 5

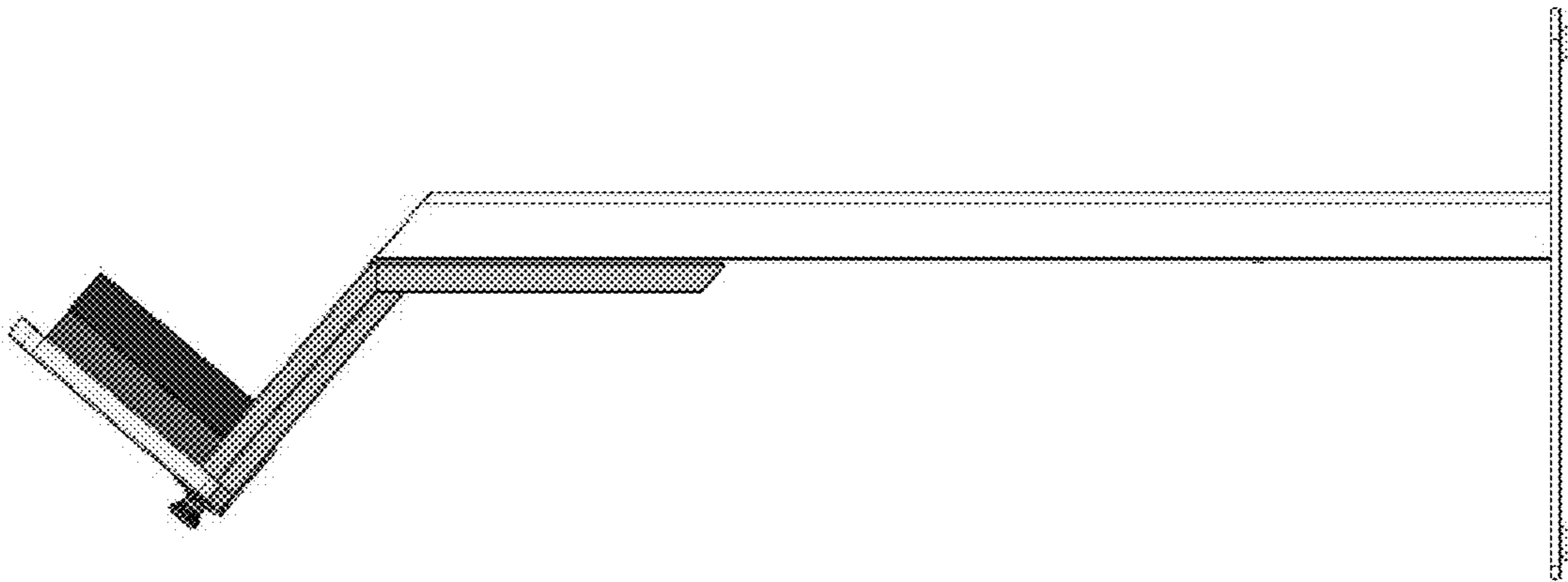


FIG. 6

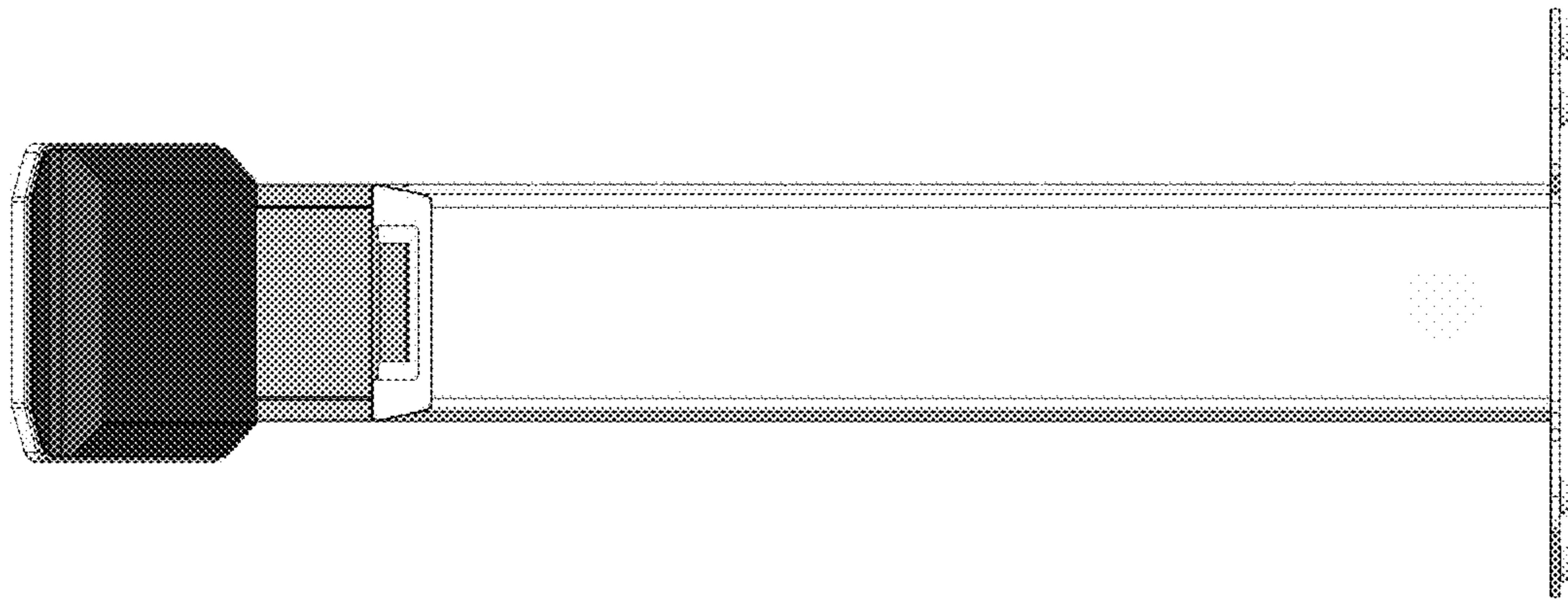


FIG. 7

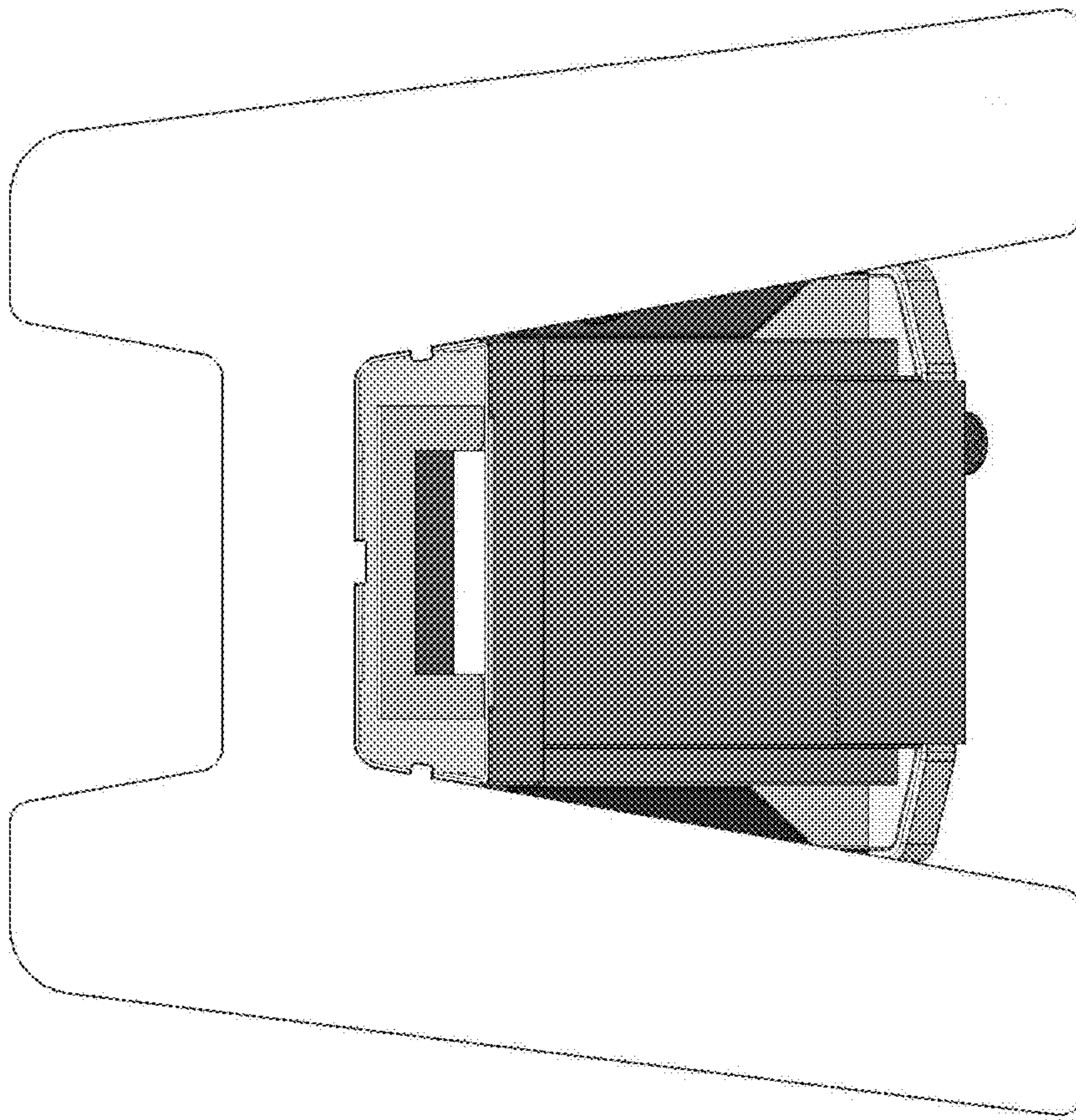


FIG. 8

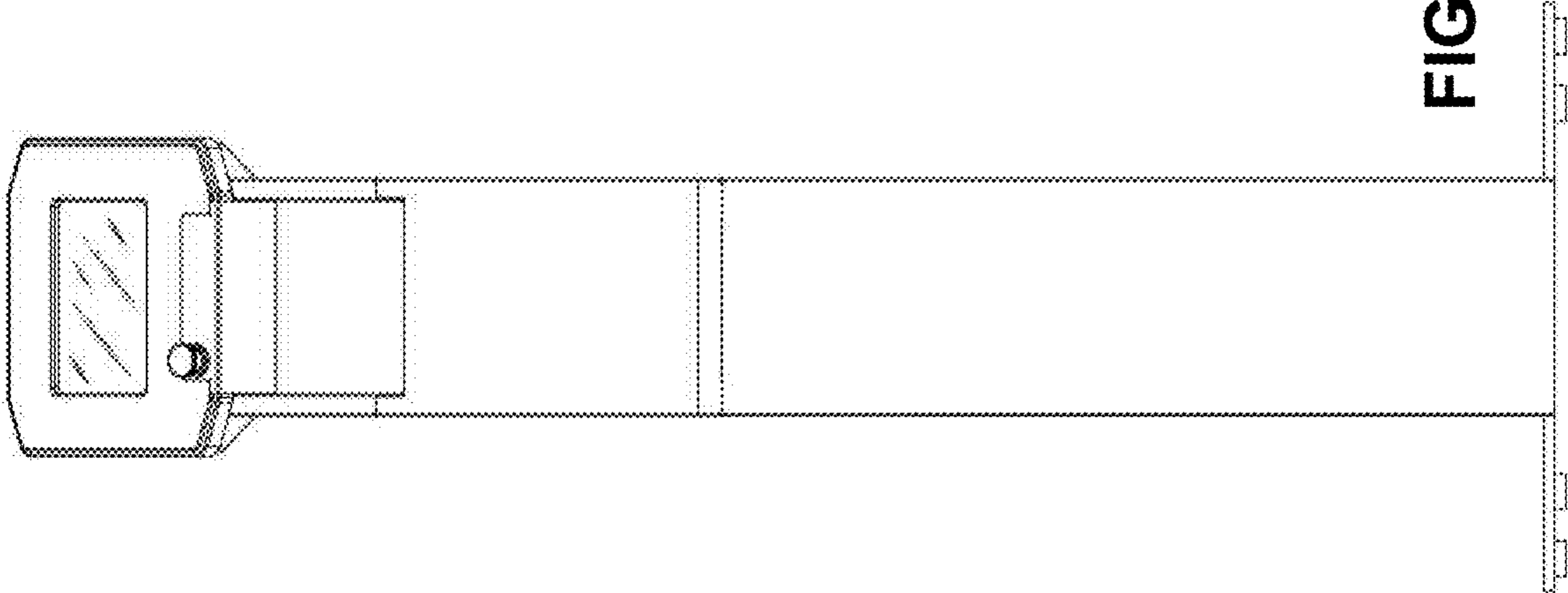


FIG. 9

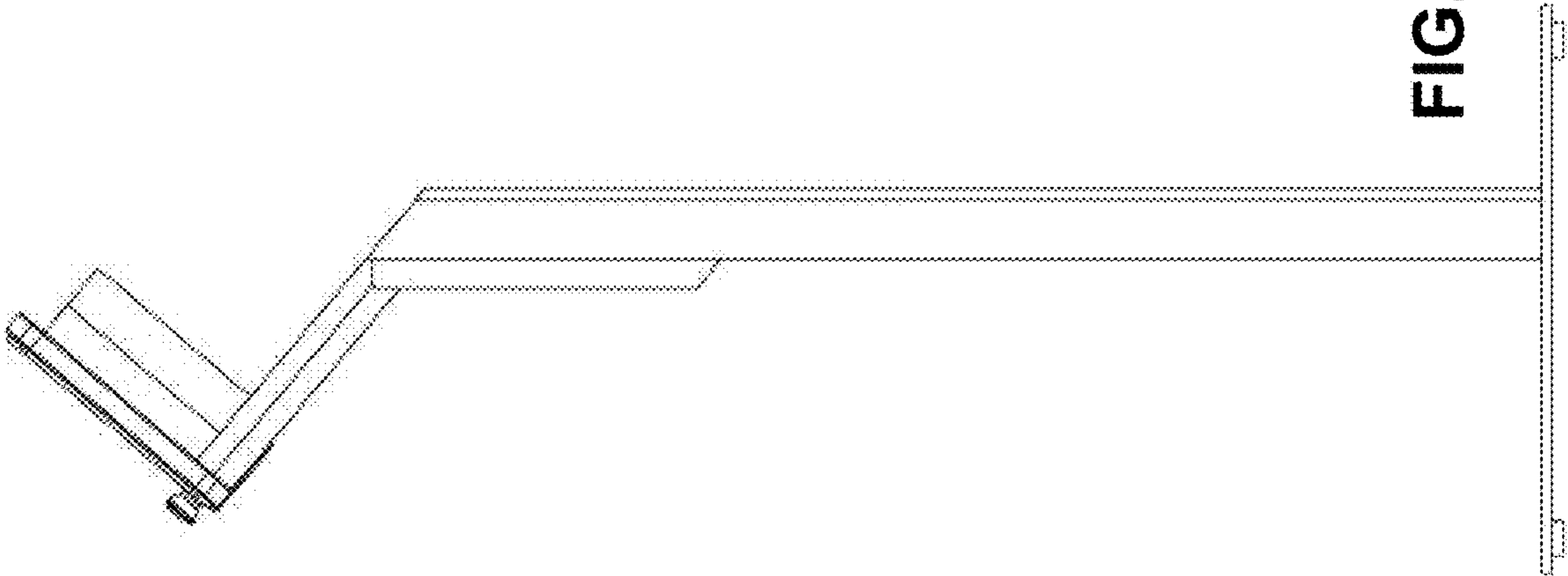


FIG. 10

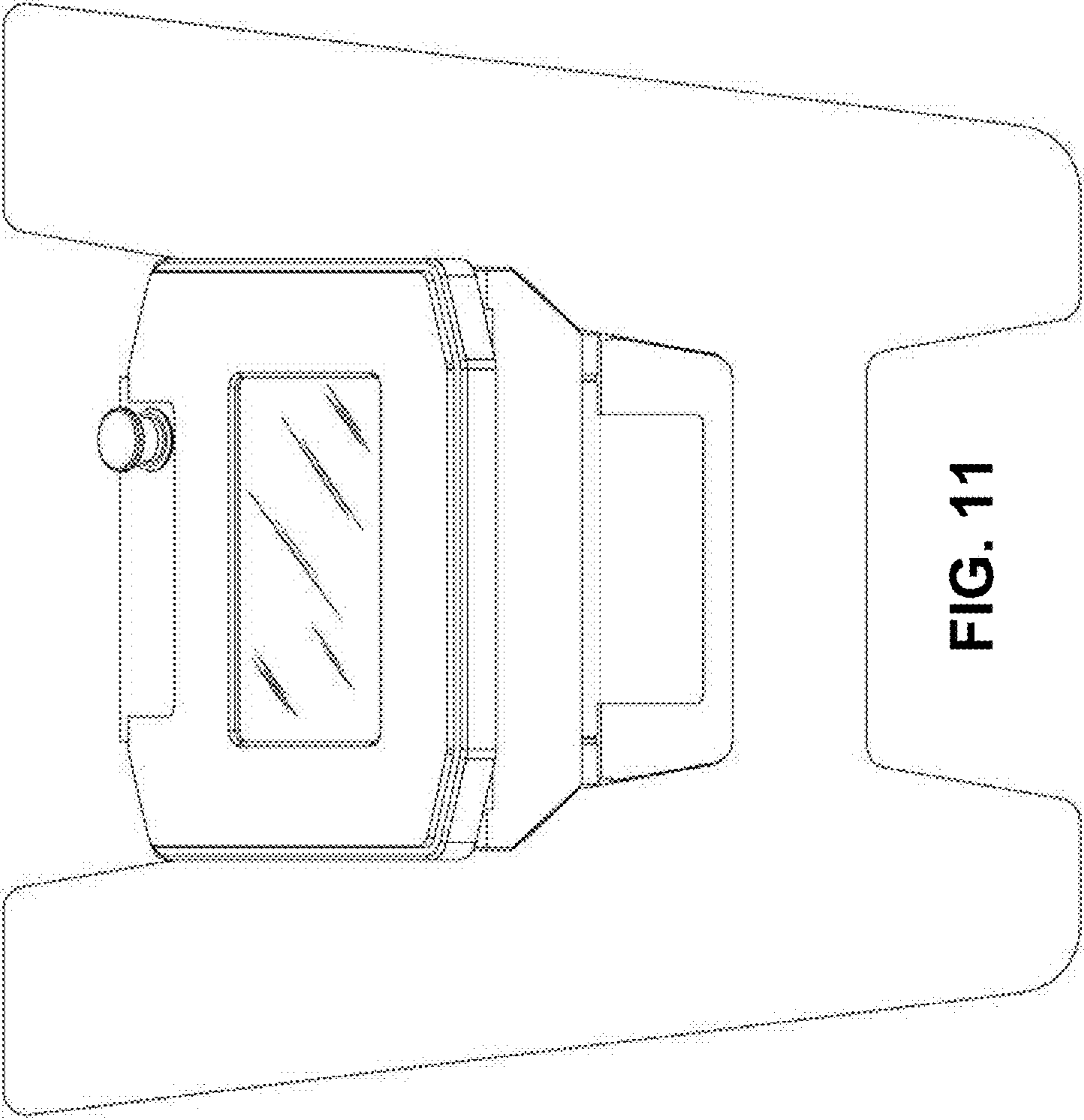


FIG. 11

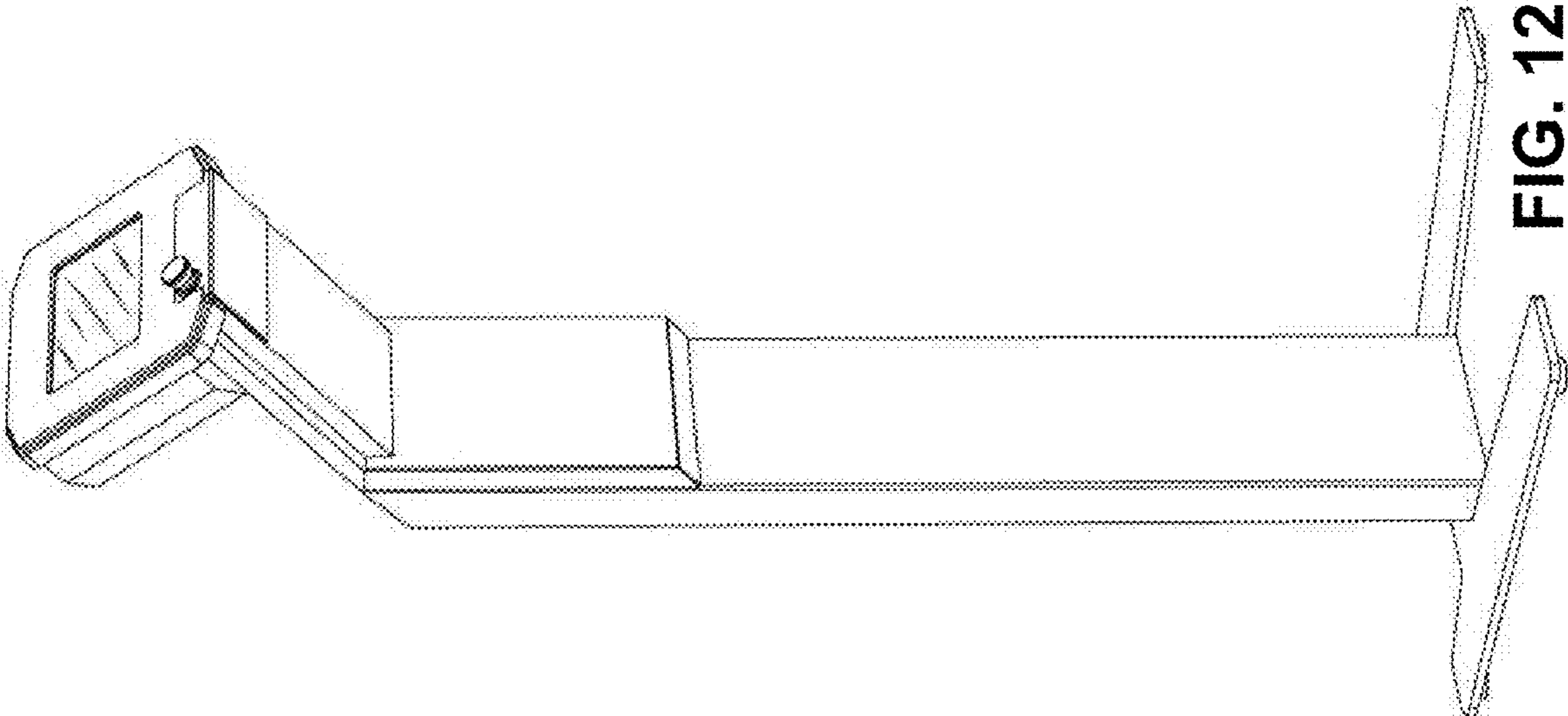


FIG. 12

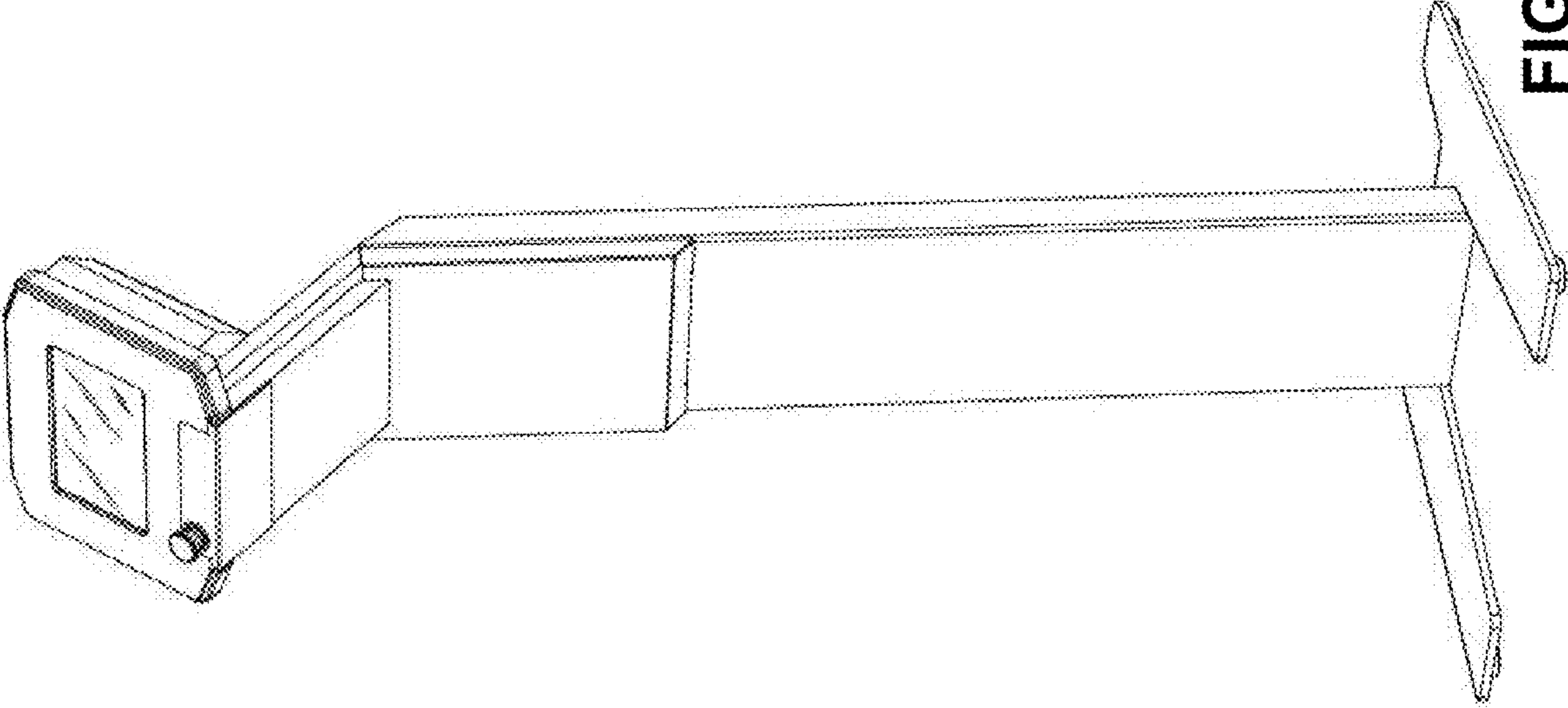


FIG. 13

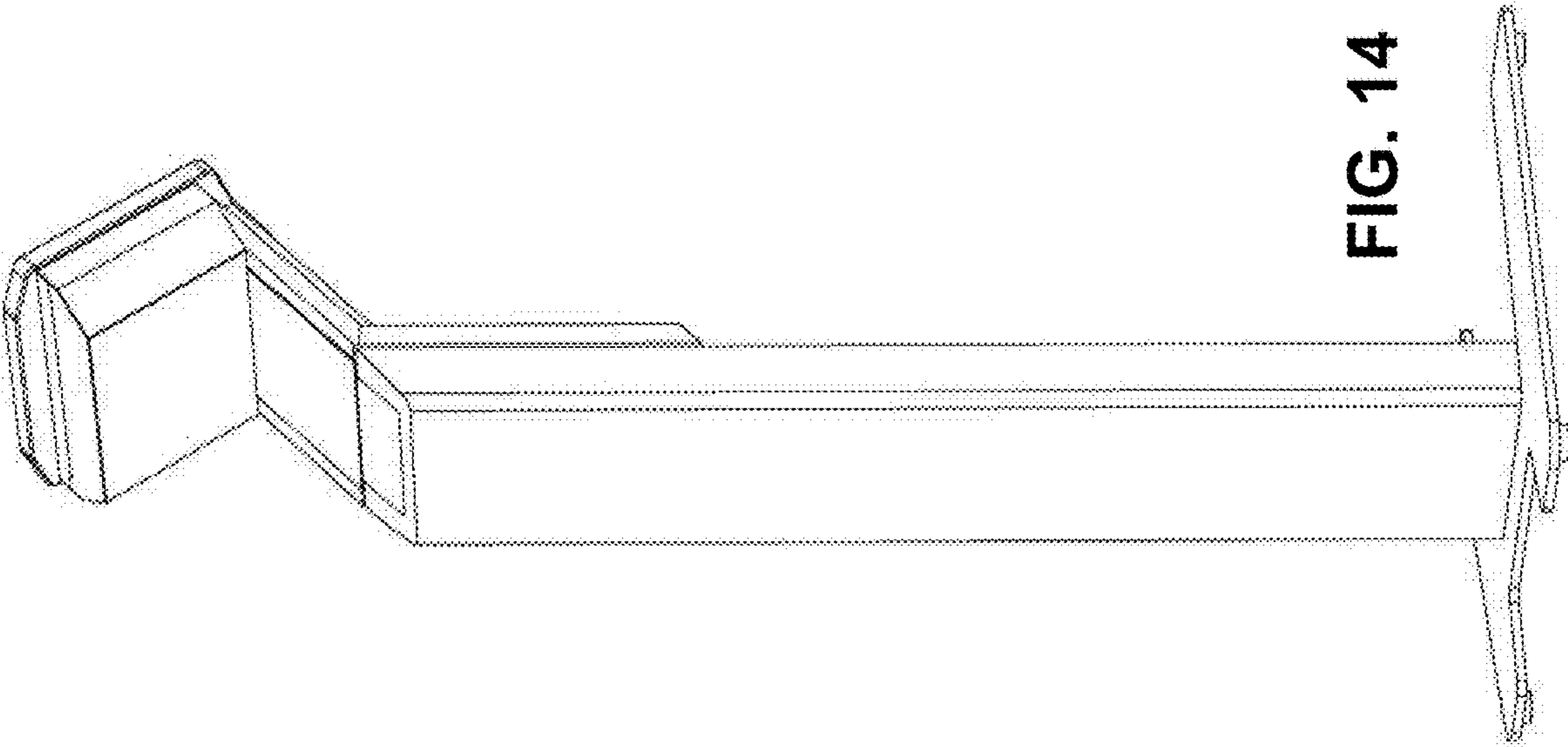


FIG. 14

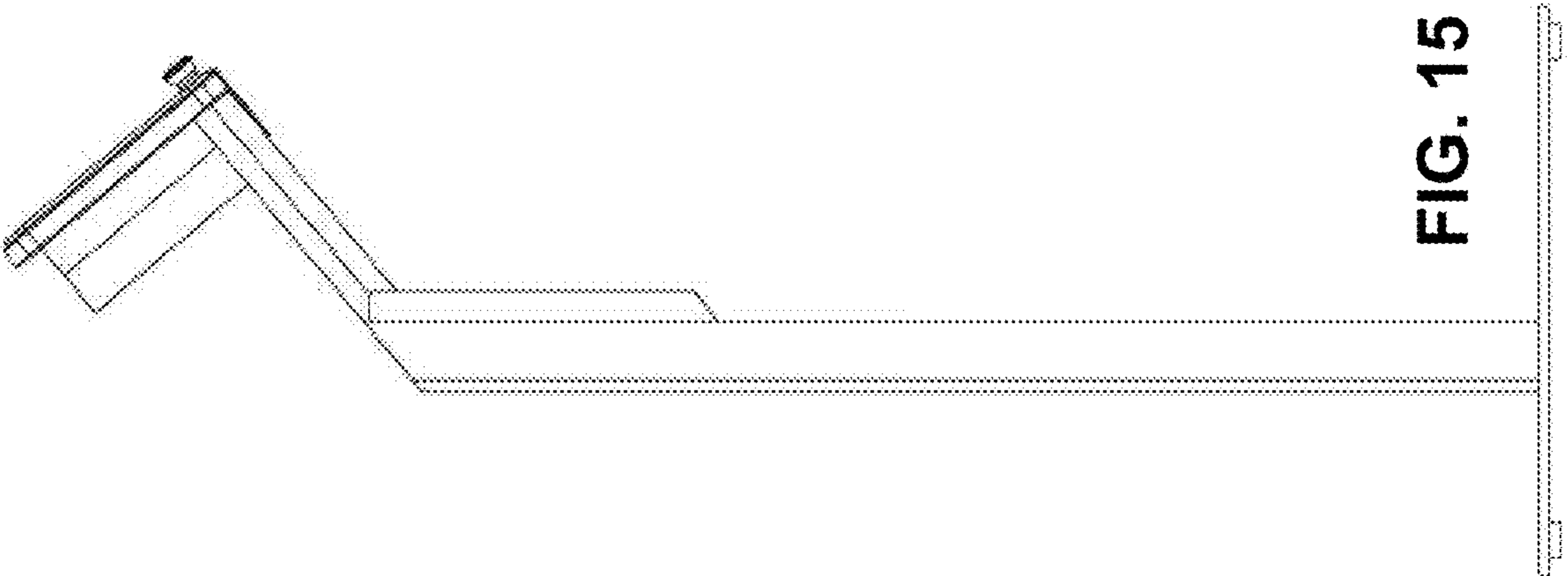




FIG. 16

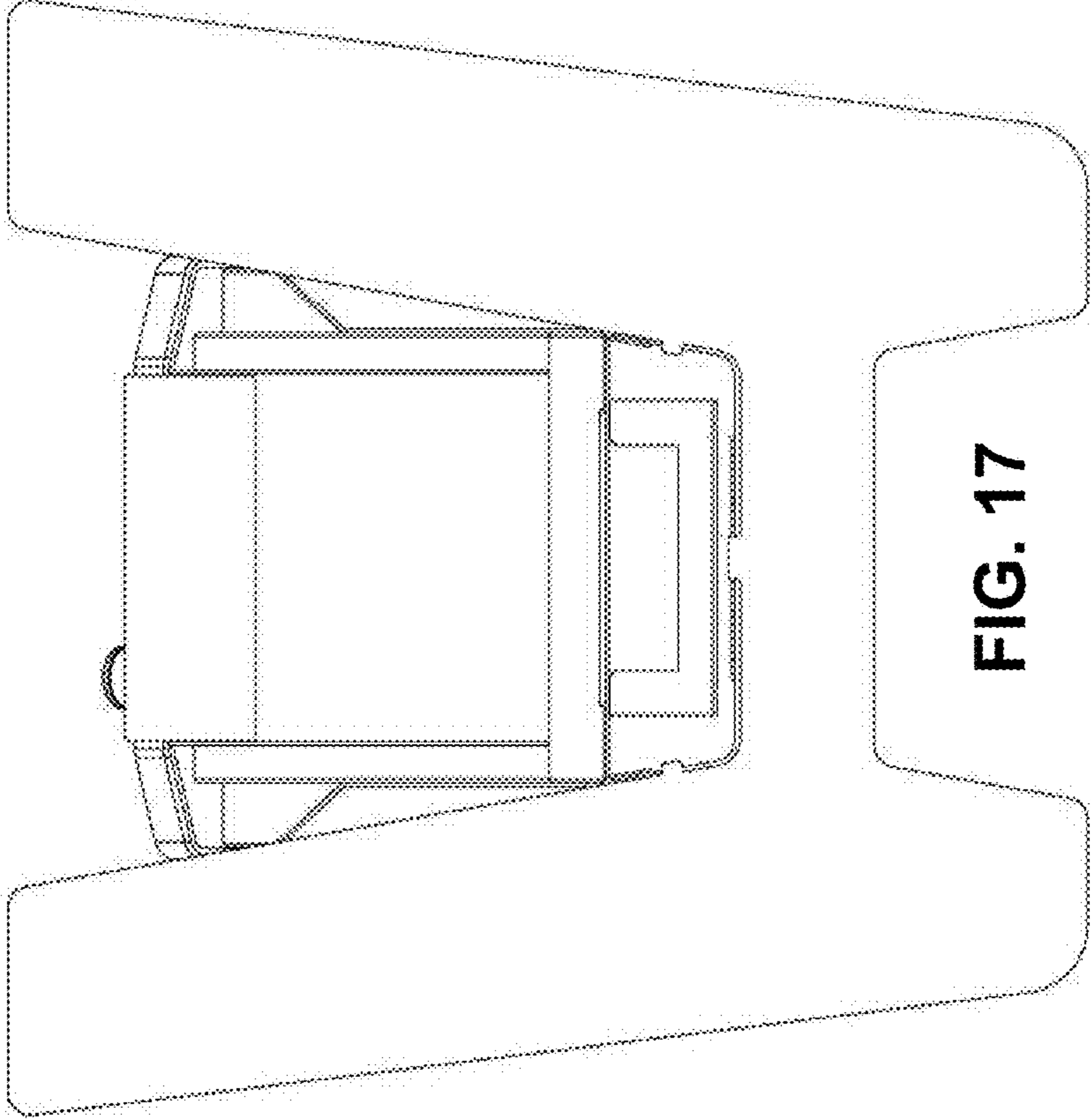


FIG. 17

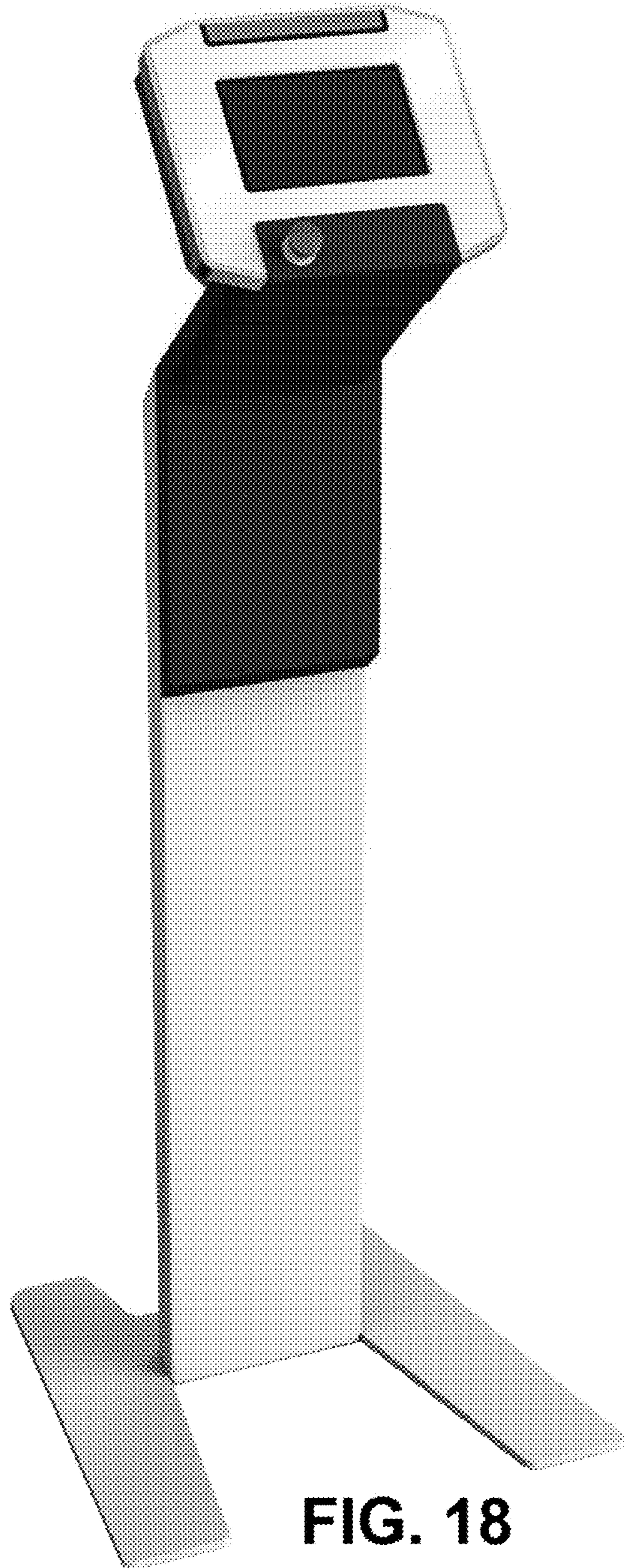


FIG. 18