



US00D785682S

(12) **United States Design Patent**
Durack

(10) **Patent No.:** **US D785,682 S**

(45) **Date of Patent:** **** May 2, 2017**

(54) **CONDIMENT PANTRY REFRIGERATOR**

(71) Applicant: **Hope Durack**, Vernon (CA)

(72) Inventor: **Hope Durack**, Vernon (CA)

(**) Term: **15 Years**

(21) Appl. No.: **29/567,359**

(22) Filed: **Jun. 8, 2016**

(51) **LOC (10) Cl.** **15-07**

(52) **U.S. Cl.**
USPC **D15/81**

(58) **Field of Classification Search**
USPC D15/79-91; D6/436, 439, 445-446, 448, D6/559-561
CPC F25D 23/028; F25D 23/02; F25D 23/04; F25D 2323/021; F25D 23/00; F25D 29/00; F25D 11/02; F25D 27/00; F25D 23/025; F25D 23/12; F25D 2323/023; F25D 2700/02; F25D 2201/10; F25D 23/126; F25D 2400/02; F25D 29/005; F25D 2400/36; F25D 2500/06; F25D 25/025; F25D 2317/0666; F25D 2323/024; F25D 2323/122; F25D 23/062; F25D 23/063; F25D 23/065; F25D 2400/361; F25D 2600/00; F25D 2700/06; F25D 2700/12; F25D 27/005; F25D 11/00; F25D 17/045; F25D 2201/126; F25D 2300/00; F25D 2317/061; F25D 2317/067; F25D 2317/0682; F25D 2323/121; F25D 23/061; F25D 23/064; F25D 23/066; F25D 23/067; F25D 25/02; F25D 2700/08

See application file for complete search history.

(56) **References Cited**

U.S. PATENT DOCUMENTS

2,807,154 A 9/1957 Brosenius et al.
3,251,198 A 5/1966 Cornelius

D330,128 S * 10/1992 Dziewa 312/244
5,319,937 A 6/1994 Fritsch et al.
D374,571 S * 10/1996 Paus D6/671
D446,407 S * 8/2001 Melillo D6/671.1
D446,964 S * 8/2001 Alexandersson D6/661
7,107,779 B2 9/2006 Avenwedde et al.
D559,013 S * 1/2008 McLaughlin D6/675.1
D568,909 S 5/2008 Santiago
D596,873 S * 7/2009 Hughes D6/663
D603,623 S * 11/2009 Obiorah D6/671
D634,945 S * 3/2011 Perc D6/662.1
D692,467 S 10/2013 Brenneis et al.
D768,739 S * 10/2016 Lee D15/91
D769,948 S * 10/2016 Lee D15/91

(Continued)

FOREIGN PATENT DOCUMENTS

WO WO2009043221 4/2009

Primary Examiner — Ian Simmons

Assistant Examiner — Khawaja Anwar

(57) **CLAIM**

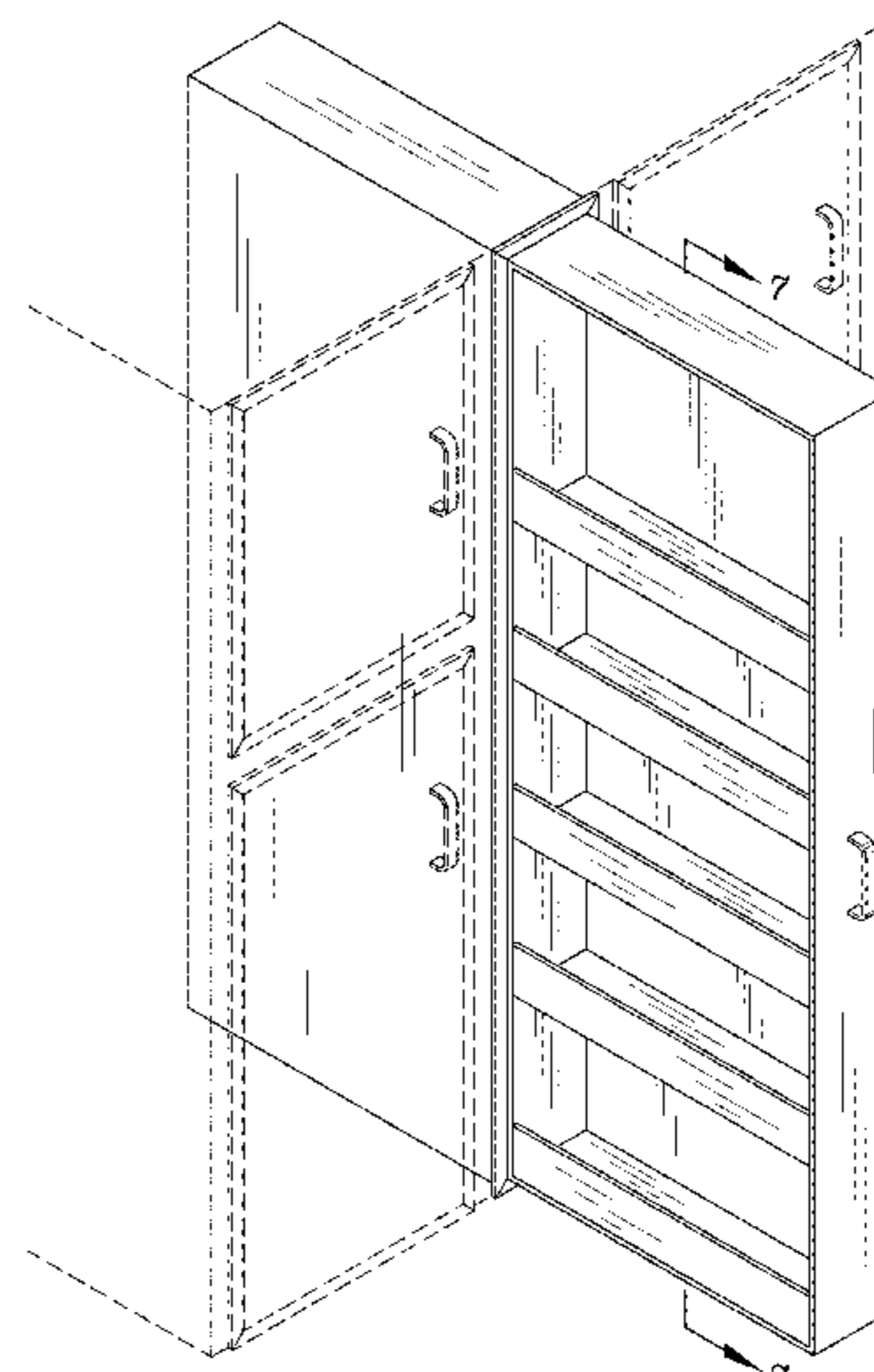
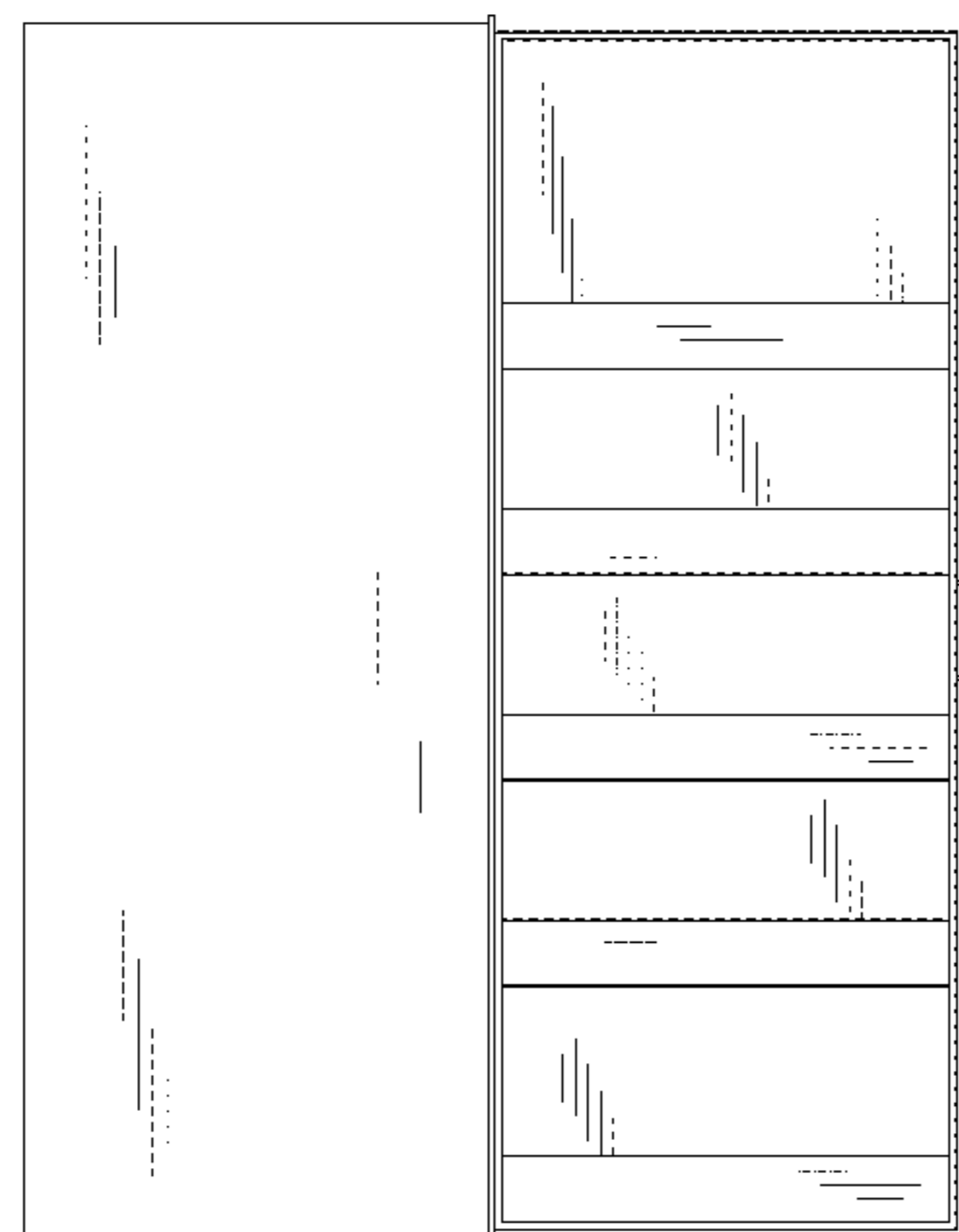
The ornamental design for a condiment pantry refrigerator, as shown and described.

DESCRIPTION

FIG. 1 is a front view of a condiment pantry refrigerator showing my new design;
FIG. 2 is a rear view of the condiment pantry refrigerator;
FIG. 3 is a right side view of the condiment pantry refrigerator;
FIG. 4 is a left side view of the condiment pantry refrigerator;
FIG. 5 is a top view of the condiment pantry refrigerator, a bottom view being a mirror image thereof;
FIG. 6 is a top front side perspective view of the condiment pantry refrigerator; and,
FIG. 7 is a cross-sectional view taken along line 7-7 of FIG. 6.

The broken lines shown in FIG. 6 represent unclaimed environment and form no part of the claimed design.

1 Claim, 5 Drawing Sheets



(56)

References Cited

U.S. PATENT DOCUMENTS

D775,245 S * 12/2016 Seo D15/81
2006/0213852 A1 9/2006 Kwon
2011/0283727 A1 11/2011 Gracie

* cited by examiner

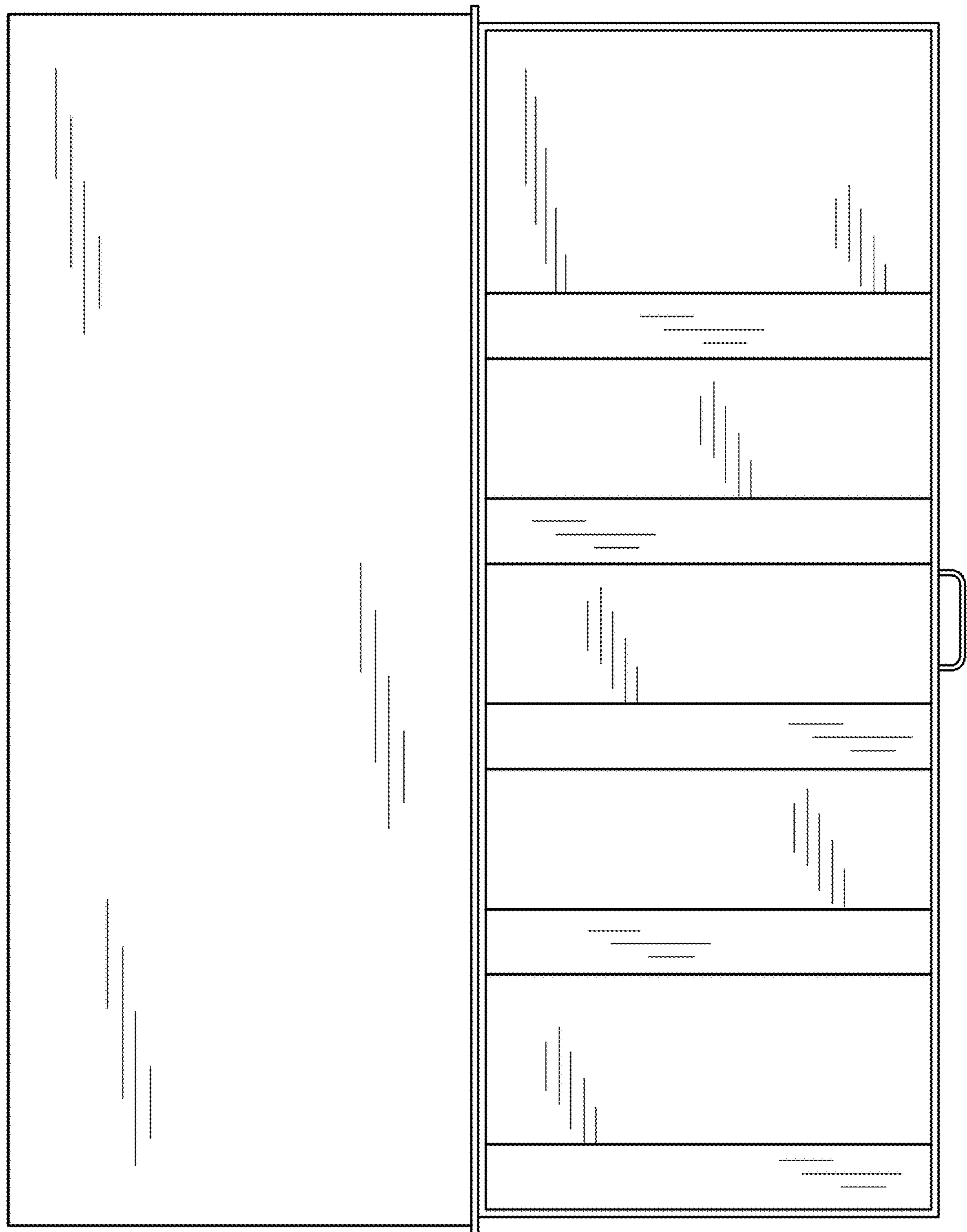


FIG. 1



FIG. 2

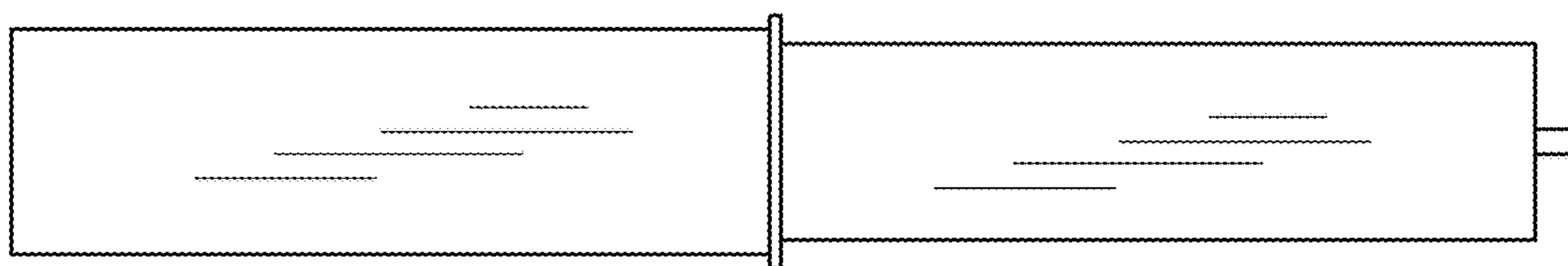
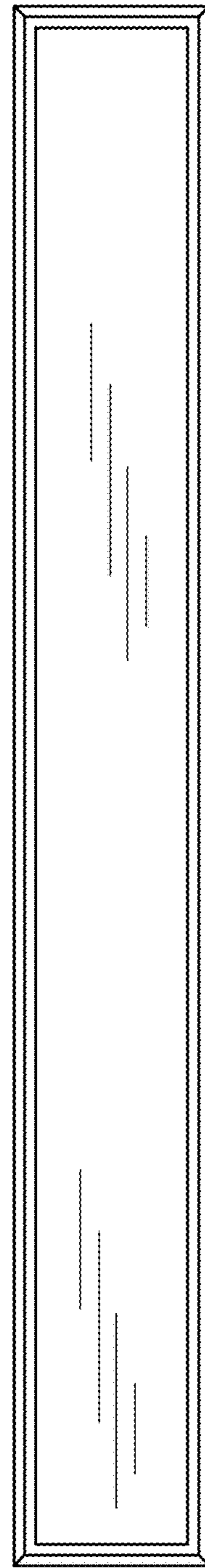
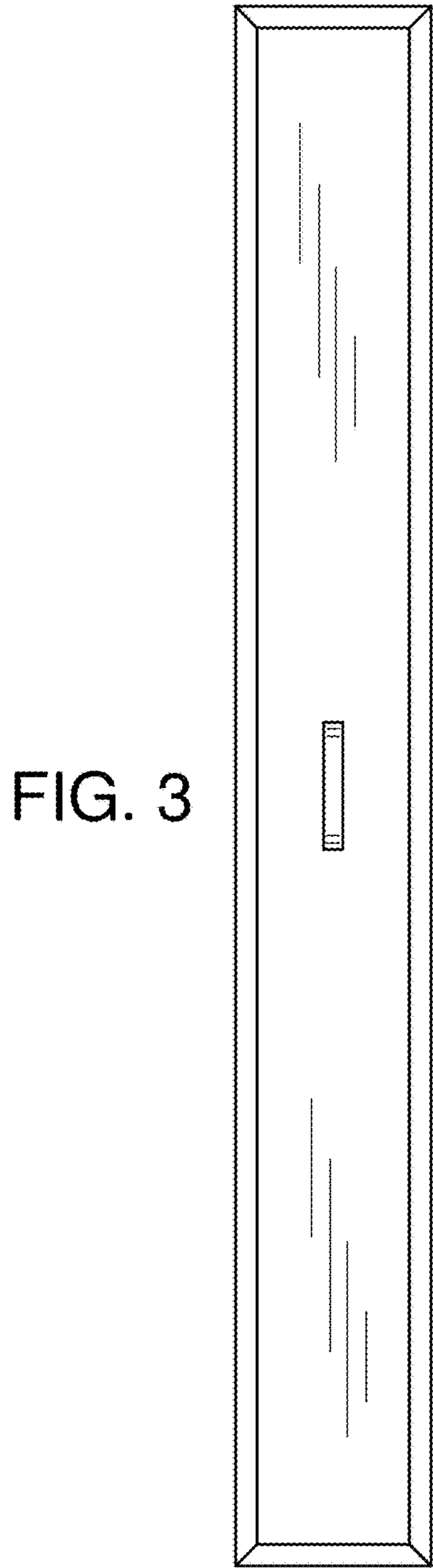


FIG. 5

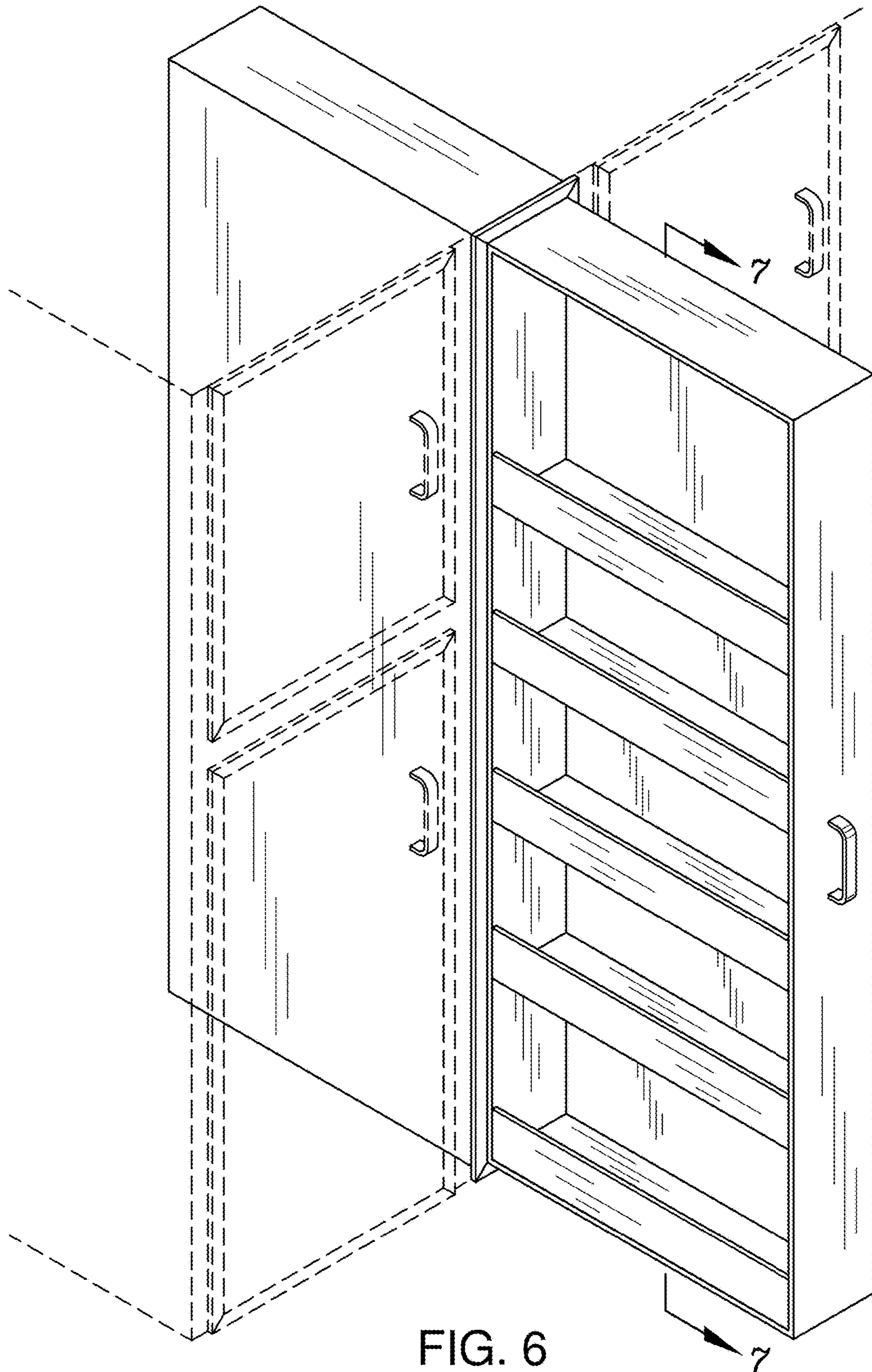


FIG. 6

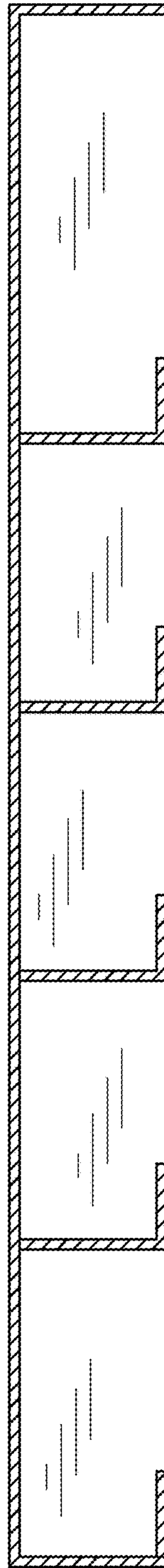


FIG. 7