



US00D785680S

(12) **United States Design Patent**  
**Dipino**

(10) **Patent No.:** **US D785,680 S**

(45) **Date of Patent:** **\*\* May 2, 2017**

(54) **TRAIL BULLDOZER**

(71) Applicant: **Anthony R. Dipino**, Mound House, NV  
(US)

(72) Inventor: **Anthony R. Dipino**, Mound House, NV  
(US)

(\*\*) Term: **15 Years**

(21) Appl. No.: **29/535,017**

(22) Filed: **Aug. 3, 2015**

(51) **LOC (10) Cl.** ..... **12-09**

(52) **U.S. Cl.**  
USPC ..... **D15/23**

(58) **Field of Classification Search**  
USPC ..... D15/10, 11, 15, 17, 22, 23, 25, 26, 28,  
D15/30

CPC .... B62D 49/00; B62D 49/06; B62D 49/0671;  
B62D 49/0692; B62D 33/06; B62D  
33/0617; B62D 21/186; B62D 53/028;  
E02F 9/0841; E02F 3/3411; E02F 3/76;  
E02F 3/34; E02F 3/00; E02F 7/00  
See application file for complete search history.

(56) **References Cited**

**U.S. PATENT DOCUMENTS**

D322,792 S \* 12/1991 Park ..... D15/25  
D573,161 S \* 7/2008 Betz ..... D15/24  
D631,067 S \* 1/2011 Nishimura ..... D15/22

D682,322 S \* 5/2013 Suzuki ..... D15/25  
D684,598 S \* 6/2013 Hagura ..... D15/24  
D742,423 S \* 11/2015 Coste ..... D15/22  
D742,933 S \* 11/2015 Buxton ..... D15/22  
D747,747 S \* 1/2016 Turner ..... D15/25  
D750,671 S \* 3/2016 Imashige ..... D15/22  
D752,112 S \* 3/2016 Hagura ..... D15/24  
D756,420 S \* 5/2016 Okuyama ..... D15/23

\* cited by examiner

*Primary Examiner* — Ian Simmons

*Assistant Examiner* — Khawaja Anwar

(74) *Attorney, Agent, or Firm* — Larry D. Johnson

(57) **CLAIM**

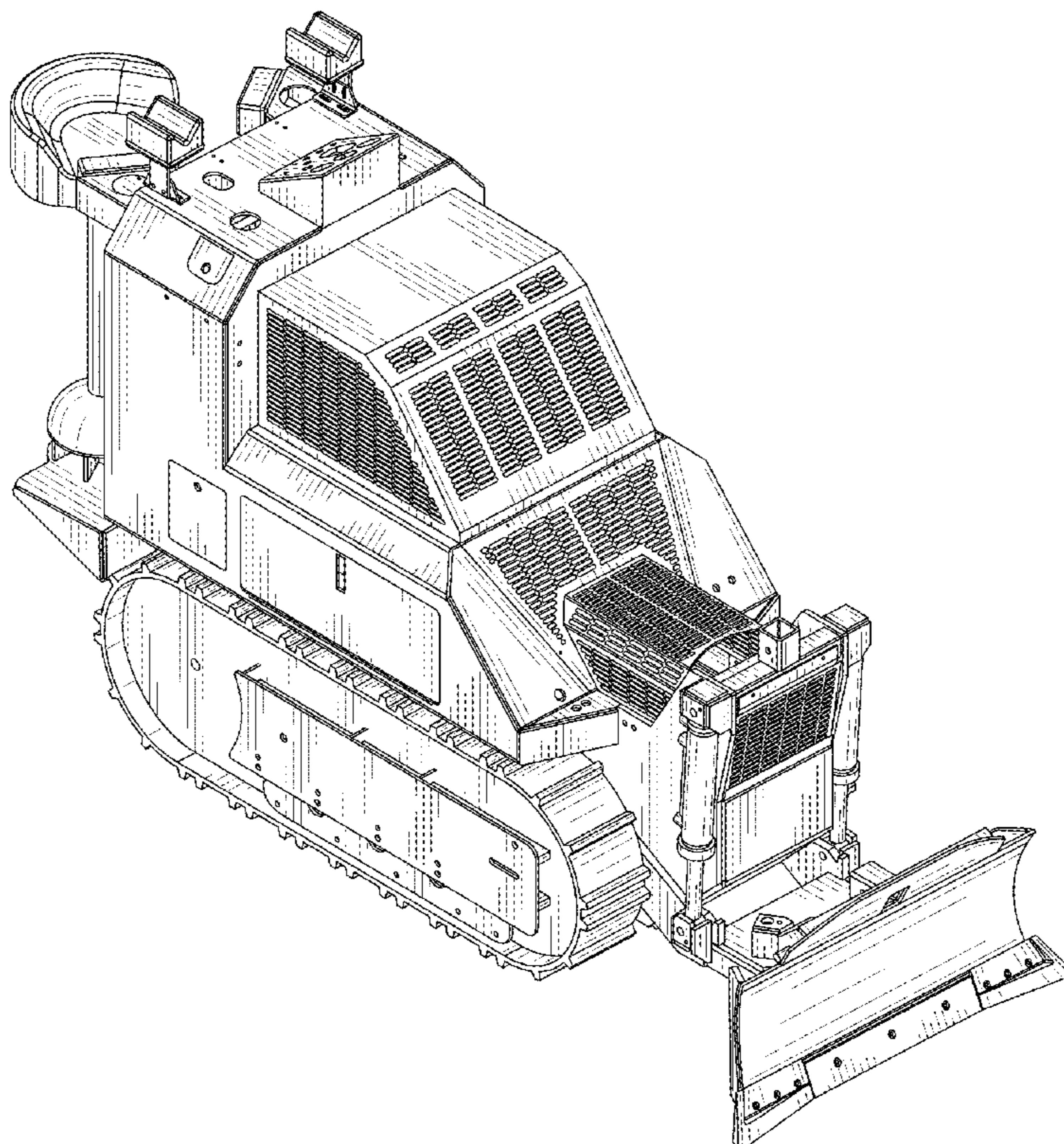
The ornamental design for a trail bulldozer, as shown and described.

**DESCRIPTION**

FIG. 1 is a right side perspective view of a trail bulldozer, showing my new design;  
FIG. 2 is a left side perspective view thereof;  
FIG. 3 is a front elevation view thereof;  
FIG. 4 is a rear elevation view thereof;  
FIG. 5 is a right side elevation view thereof;  
FIG. 6 is a left side elevation view thereof;  
FIG. 7 is a top view thereof; and,  
FIG. 8 is a bottom view thereof.

The broken line in figure drawings represents unclaimed environment only and forms no part of the claimed design.

**1 Claim, 8 Drawing Sheets**





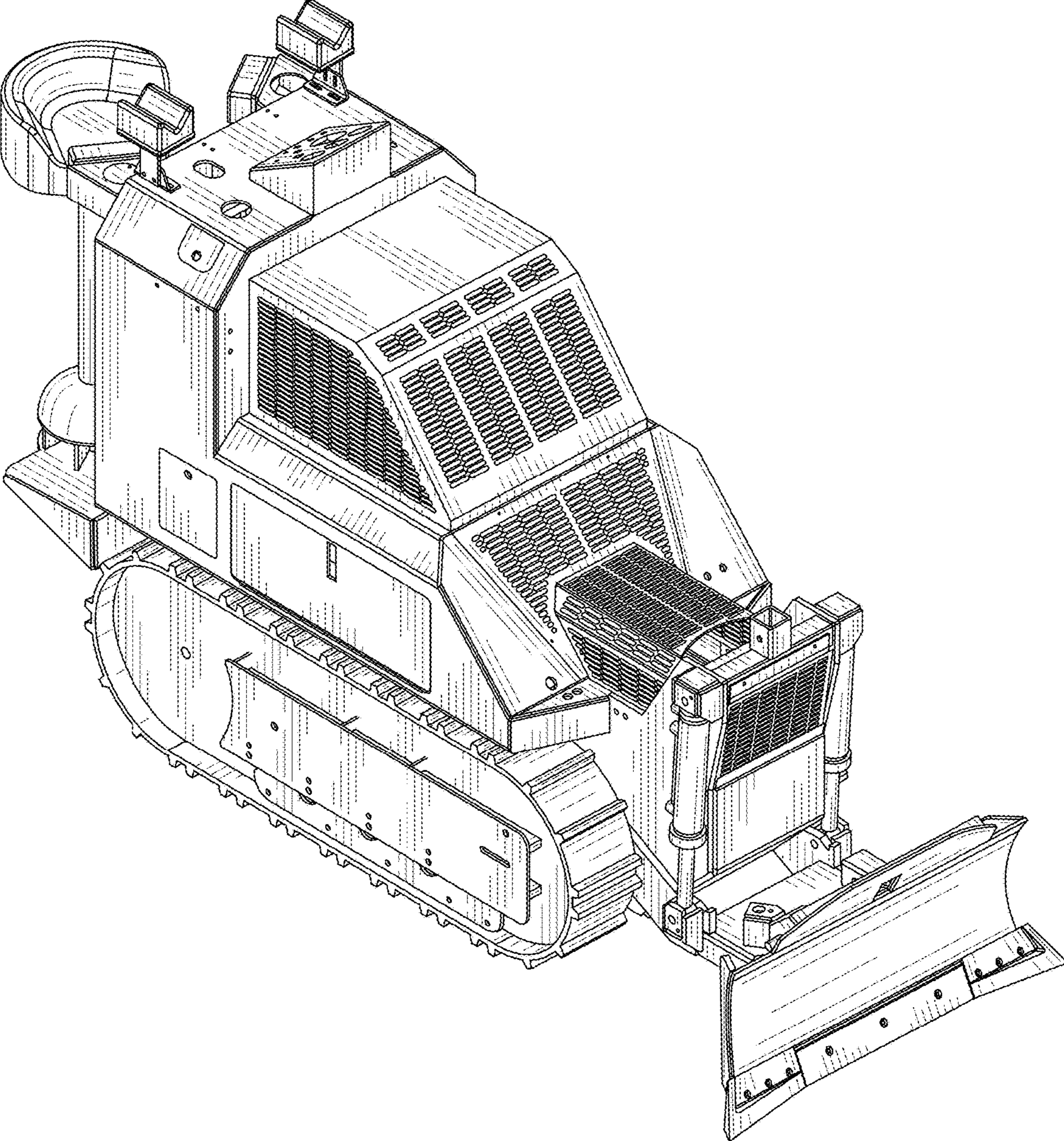


FIG. 1



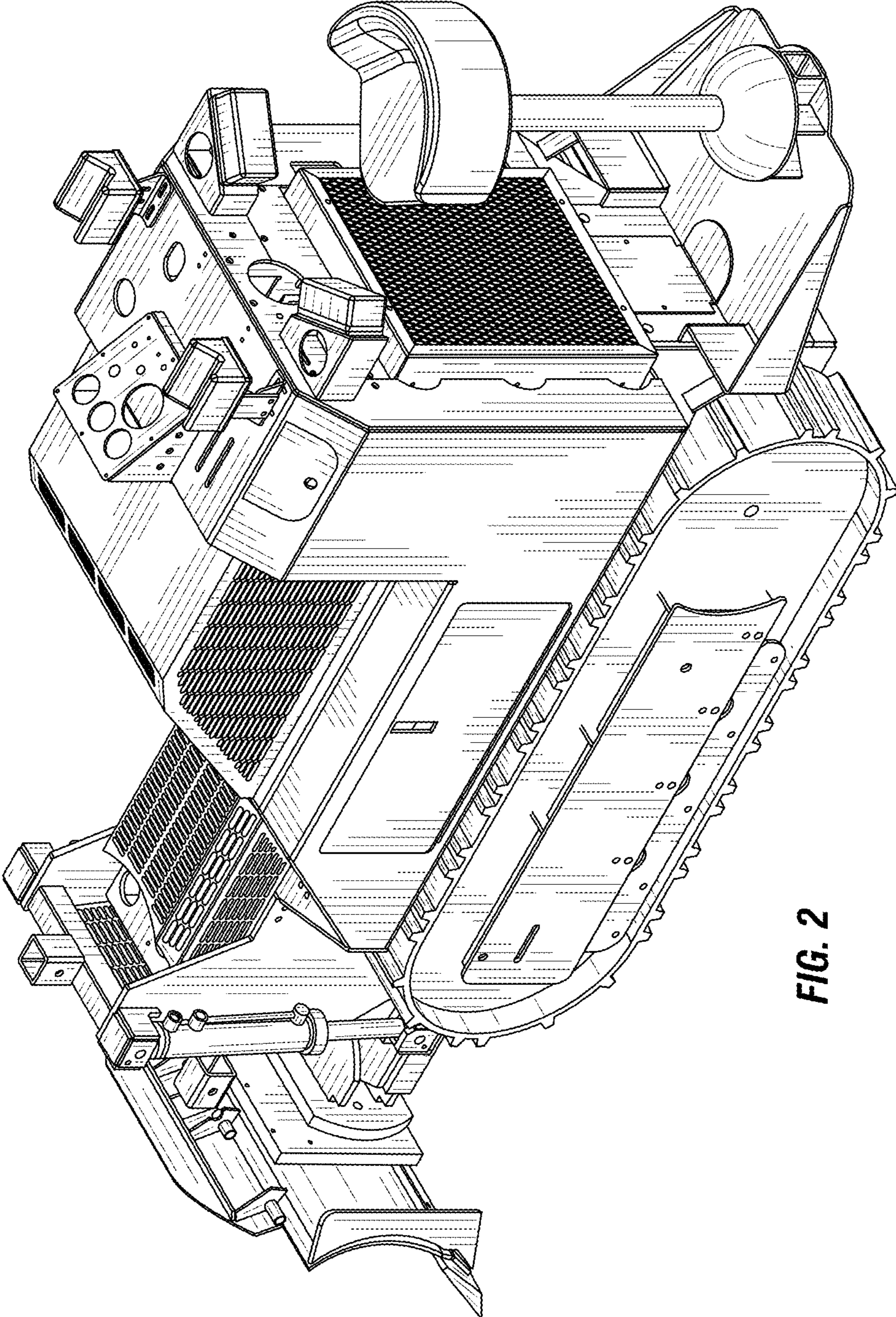
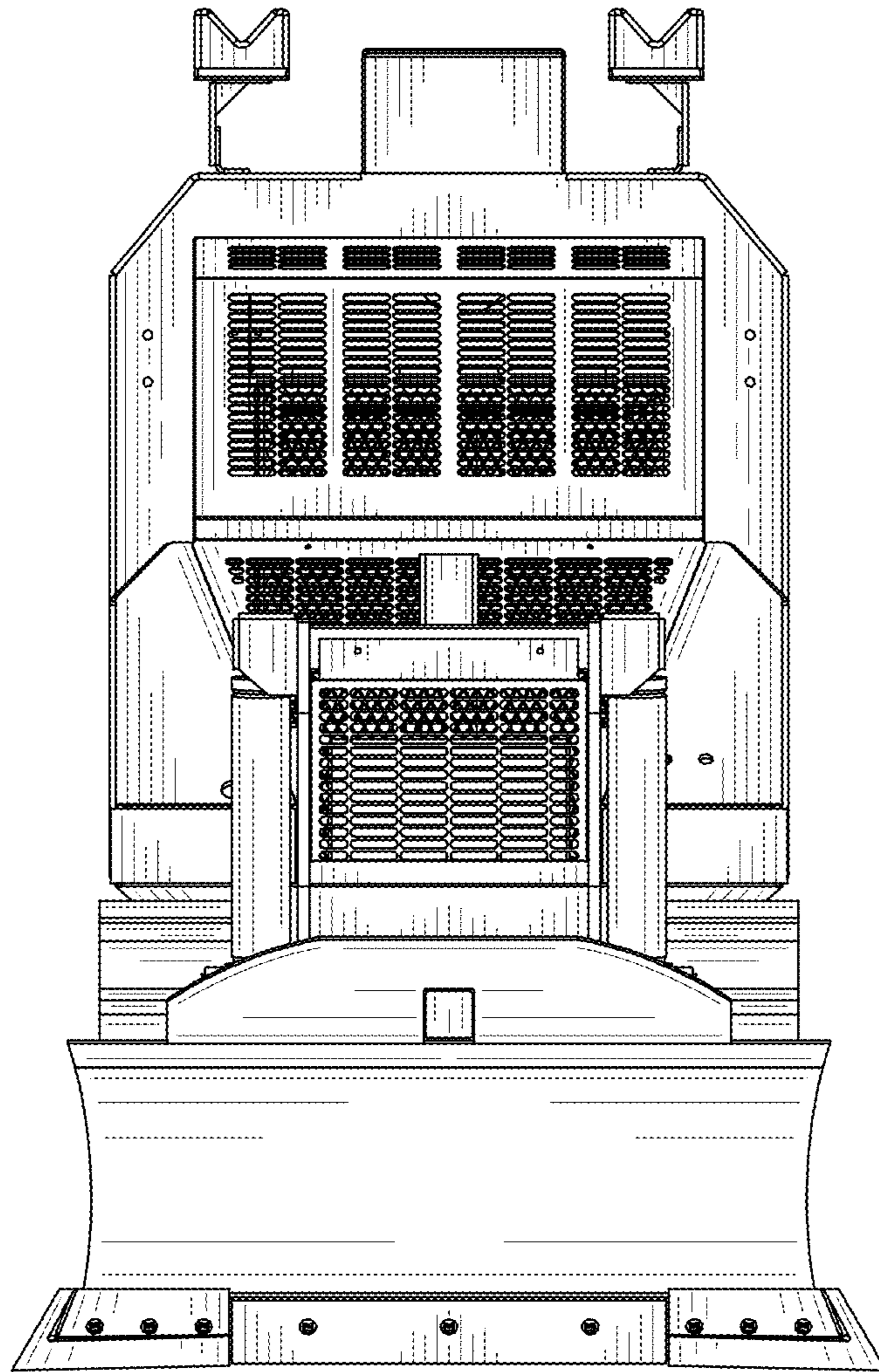
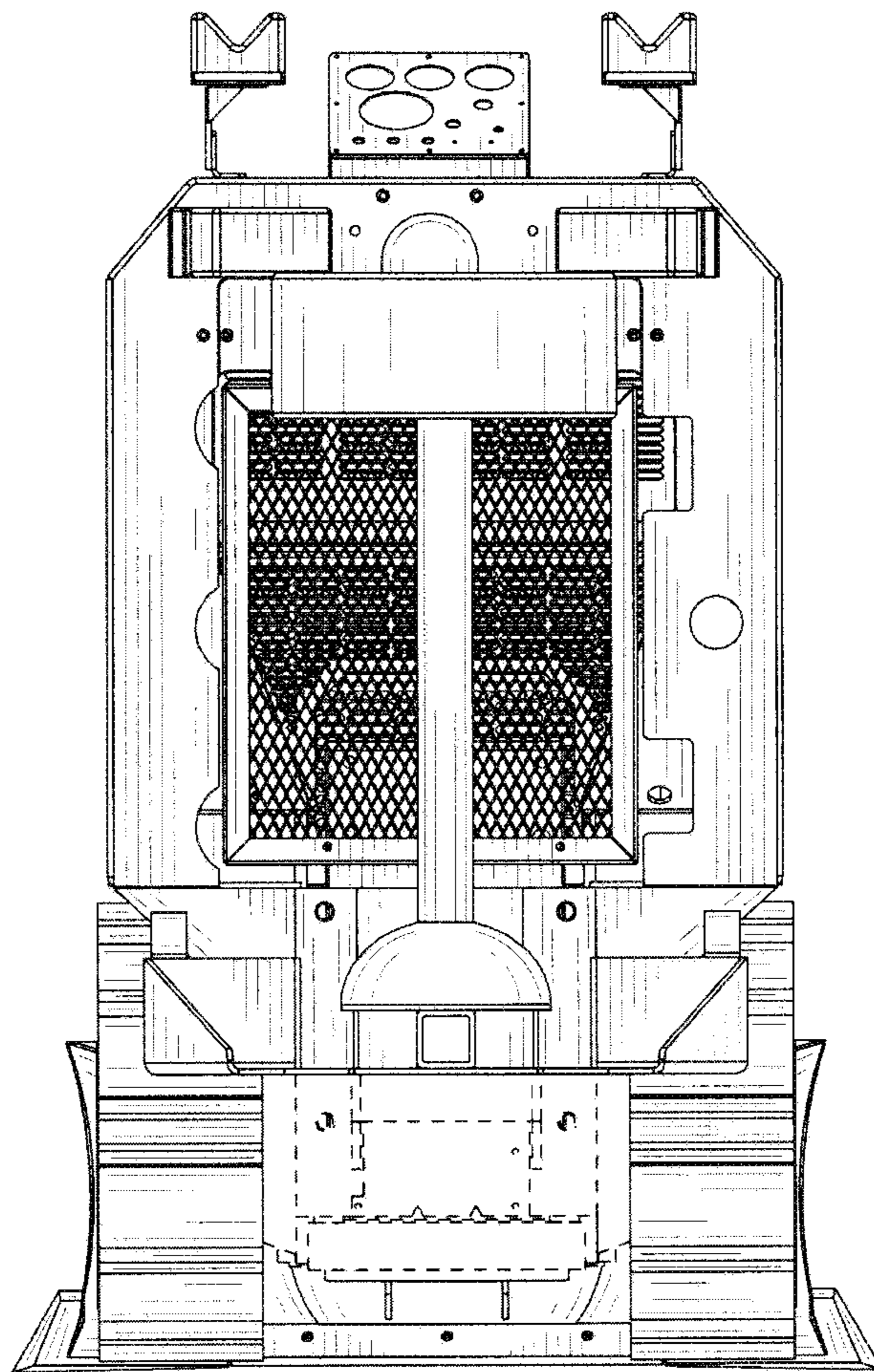


FIG. 2



**FIG. 3**





**FIG. 4**

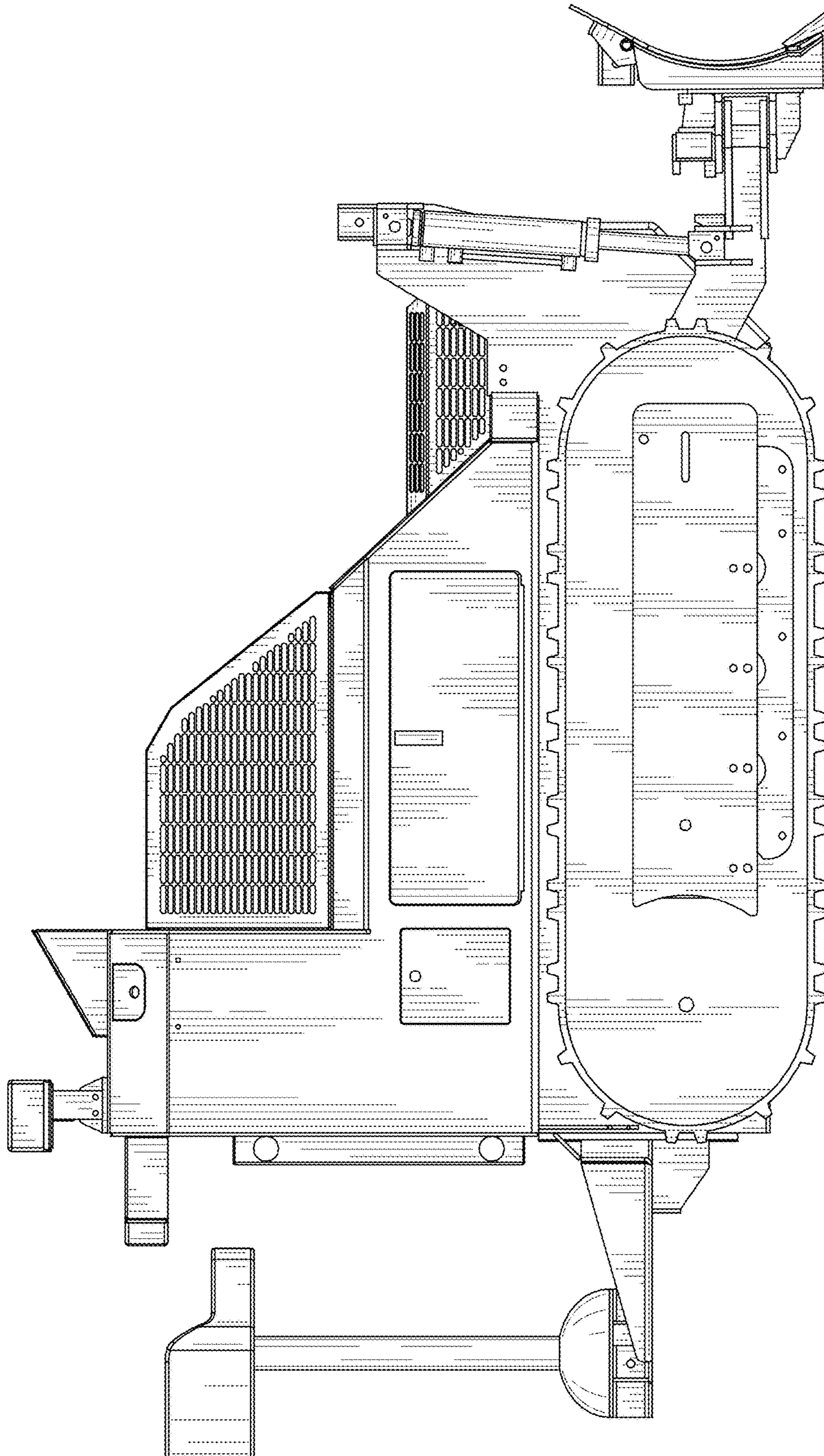


FIG. 5

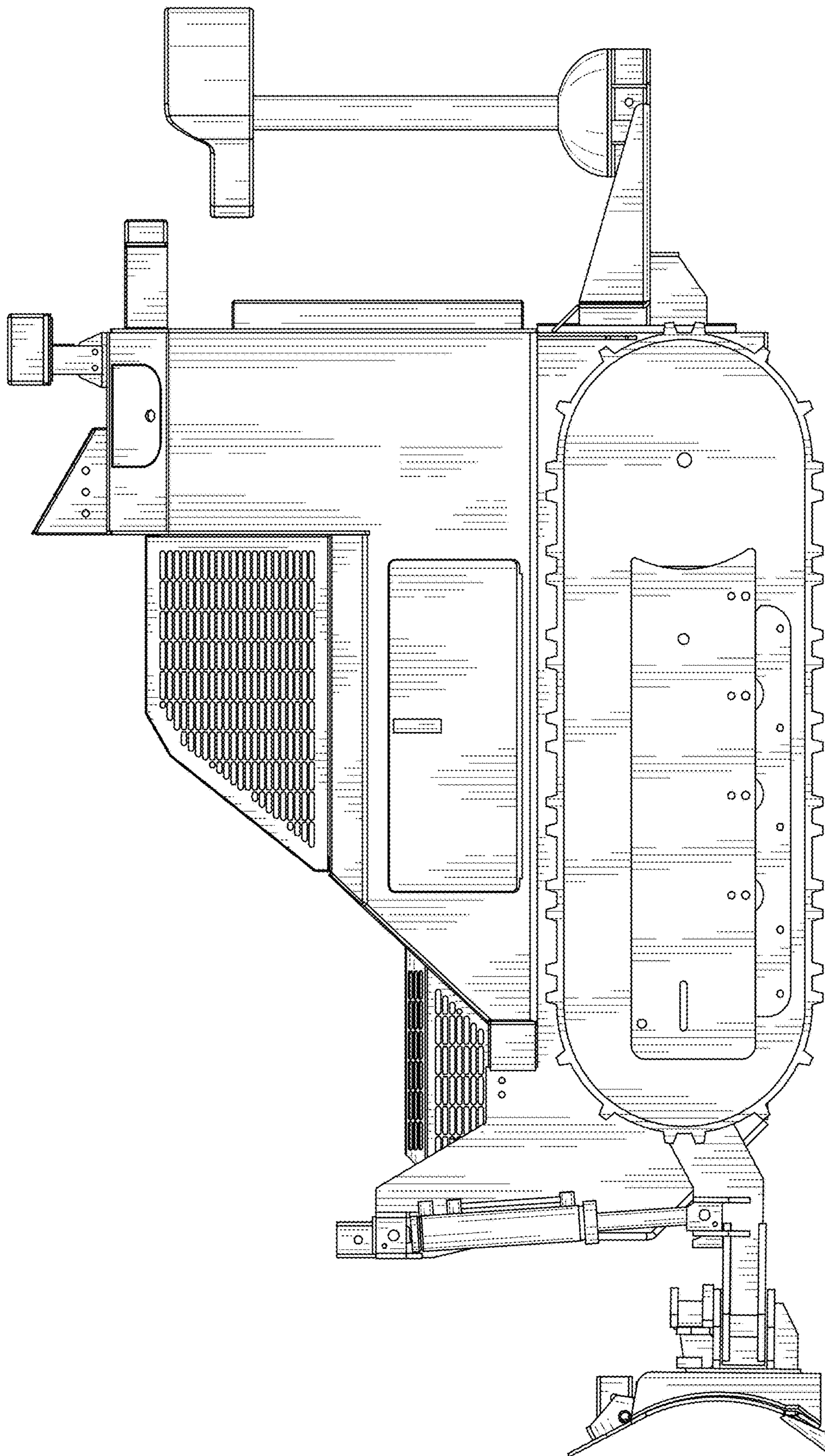


FIG. 6



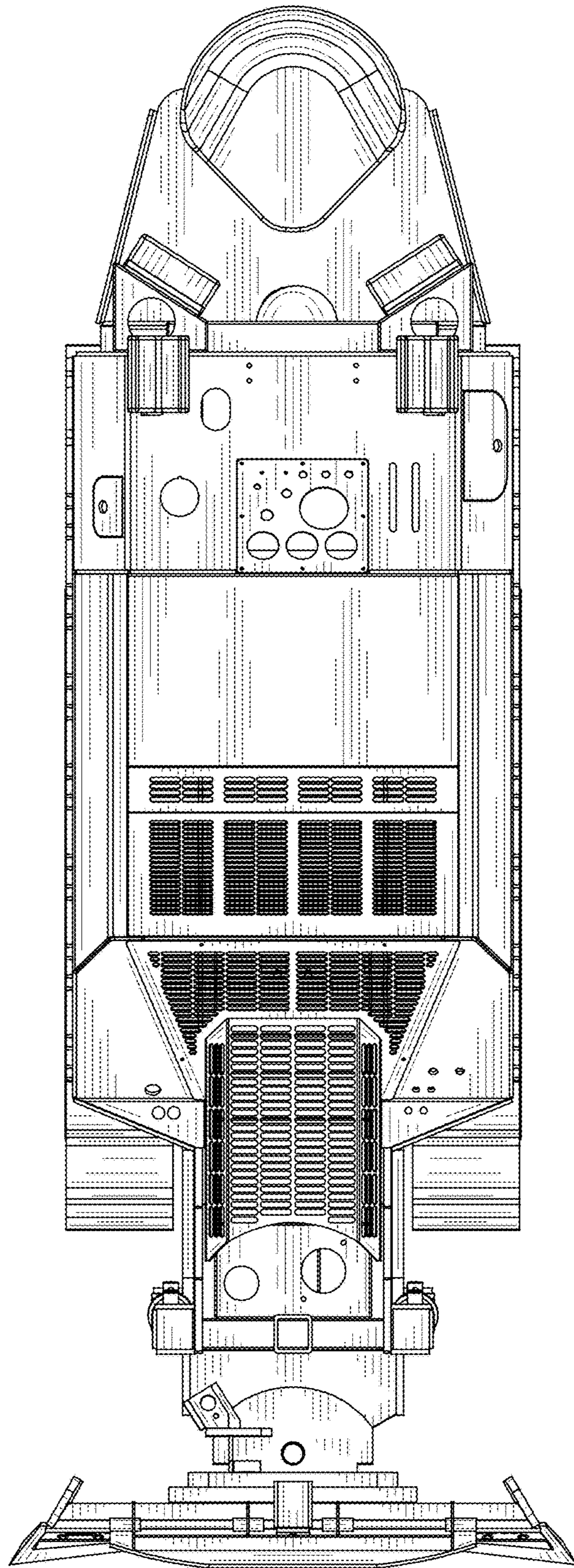


FIG. 7



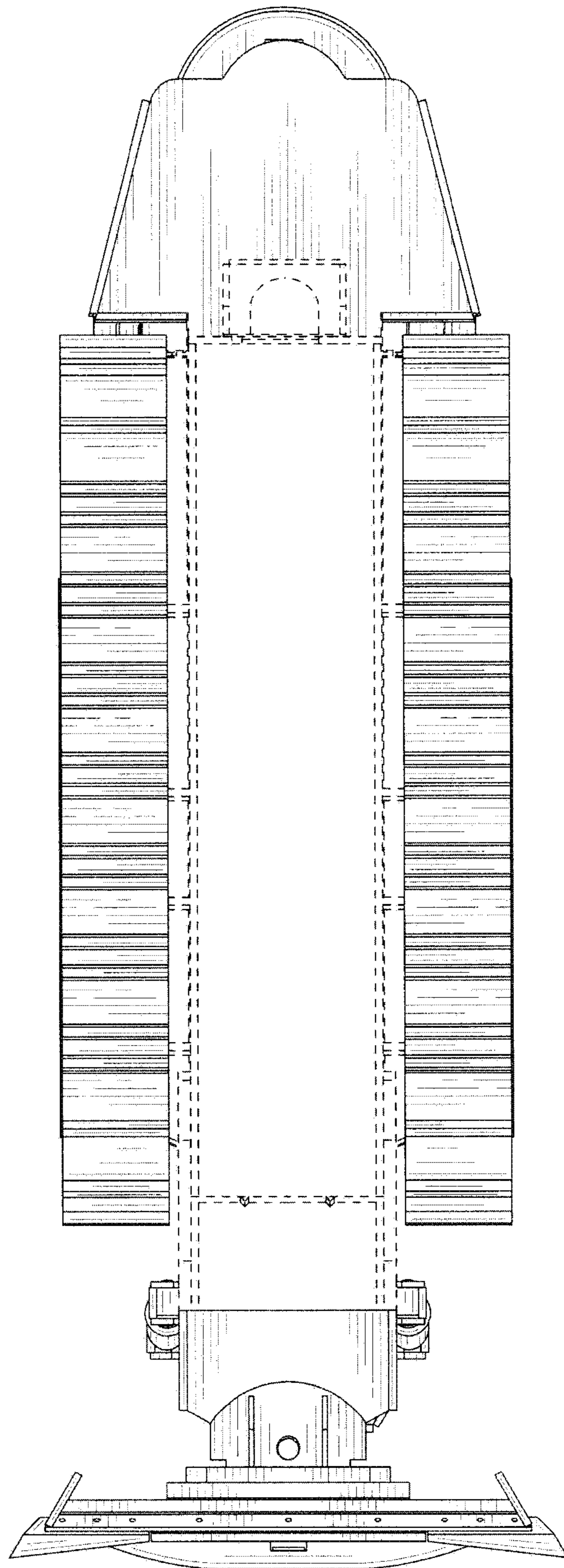


FIG. 8