



US00D785679S

(12) **United States Design Patent**
Hartung

(10) **Patent No.:** **US D785,679 S**

(45) **Date of Patent:** **** May 2, 2017**

(54) **VACUUM PUMP**

(71) Applicant: **Gebr. Becker GmbH**, Wuppertal (DE)

(72) Inventor: **Michael Hartung**, Essen (DE)

(73) Assignee: **Gebr. Becker GmbH**, Wuppertal (DE)

(**) Term: **15 Years**

(21) Appl. No.: **29/536,700**

(22) Filed: **Aug. 19, 2015**

(30) **Foreign Application Priority Data**

Feb. 20, 2015 (EM) 001430508

(51) **LOC (10) Cl.** **15-02**

(52) **U.S. Cl.**
USPC **D15/7**

(58) **Field of Classification Search**
USPC D15/7-9; D23/231, 232, 225; 417/60,
417/235, 265, 321, 355, 358, 363, 359,
417/410.1, 415-416, 405, 900, 269, 539;
60/408, 412; 184/26-37; 415/140-147;
123/495, 509; 137/565.34
CPC F02M 37/04; F02M 37/14; F04B 53/92;
F04B 1/005
See application file for complete search history.

(56) **References Cited**

U.S. PATENT DOCUMENTS

- D299,143 S * 12/1988 Hazlehurst D15/7
- D450,327 S * 11/2001 Mori D15/7
- D512,442 S * 12/2005 Moser, III D15/9
- D619,624 S * 7/2010 Iwagoshi D15/7
- D621,418 S * 8/2010 Leu D15/7
- D629,423 S * 12/2010 Varini D15/7
- D657,800 S * 4/2012 Villagomez, Jr. D15/7

- D694,276 S * 11/2013 Kunzendorf D15/9
- D698,369 S * 1/2014 Meza D15/7
- D713,860 S * 9/2014 Pedrollo D15/7
- D725,153 S * 3/2015 Berry D15/7

* cited by examiner

Primary Examiner — Ralf Seifert

(74) *Attorney, Agent, or Firm* — Collard & Roe, P.C.

(57) **CLAIM**

The ornamental design for a vacuum pump, as shown and described.

DESCRIPTION

FIG. 1 is a top, front and side perspective view of a vacuum pump showing my new design;
 FIG. 2 is an enlarged detail view of area 2 circumscribed within FIG. 1;
 FIG. 3 is an enlarged detail view of area 3 circumscribed within FIG. 1;
 FIG. 4 is a front view thereof;
 FIG. 5 is an enlarged detail view of area 5 circumscribed within FIG. 4;
 FIG. 6 is an enlarged detail view of area 6 circumscribed within FIG. 4;
 FIG. 7 is a side view thereof;
 FIG. 8 is a rear view thereof;
 FIG. 9 is an enlarged detail view of area 9 circumscribed within FIG. 8;
 FIG. 10 is another side view thereof, opposite the side view of FIG. 7.
 FIG. 11 is a top view thereof; and,
 FIG. 12 is a bottom view thereof.
 The area shown in broken lines show environmental structure only and form no part of the claimed design.

1 Claim, 8 Drawing Sheets

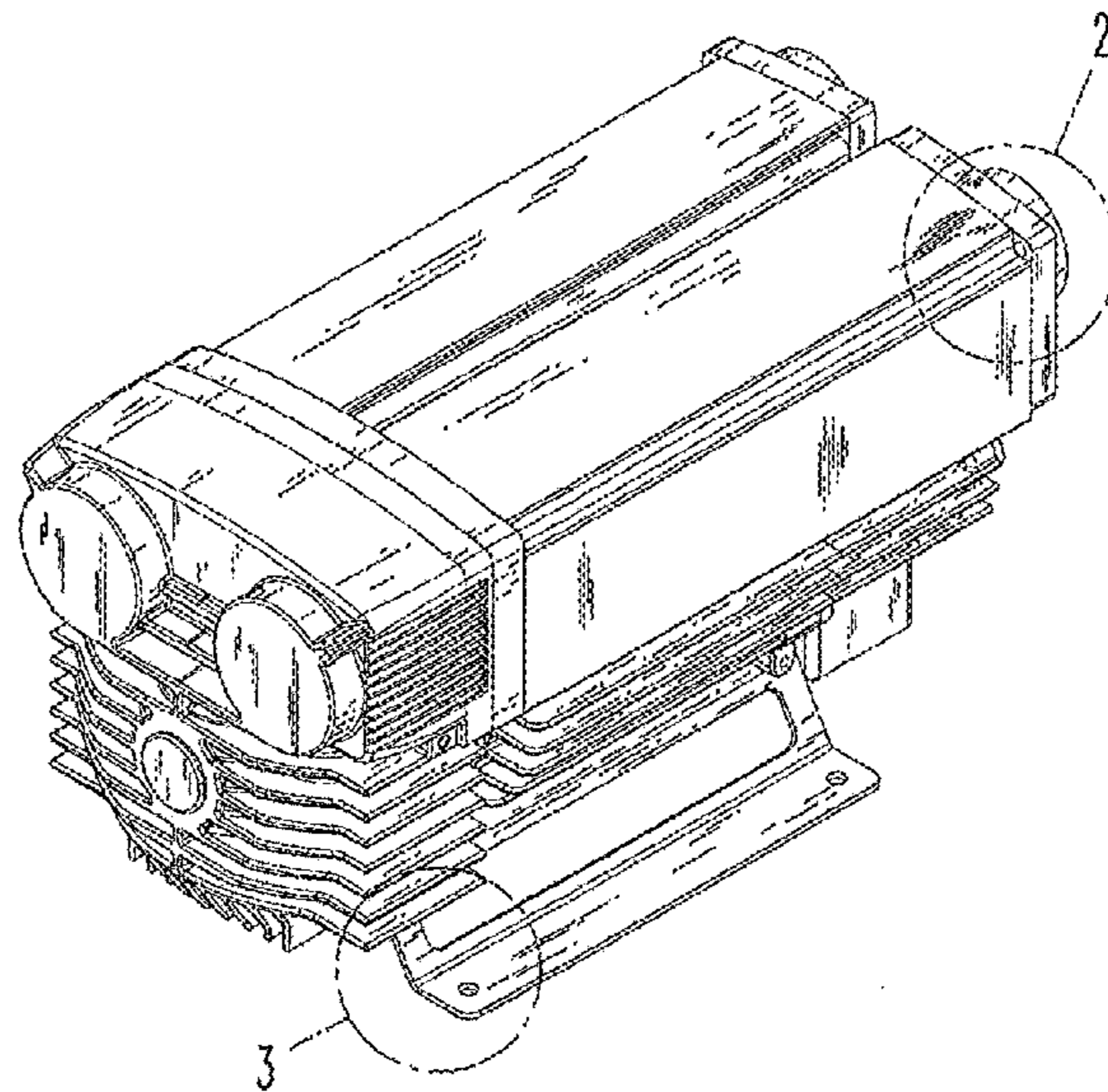


Fig. 1

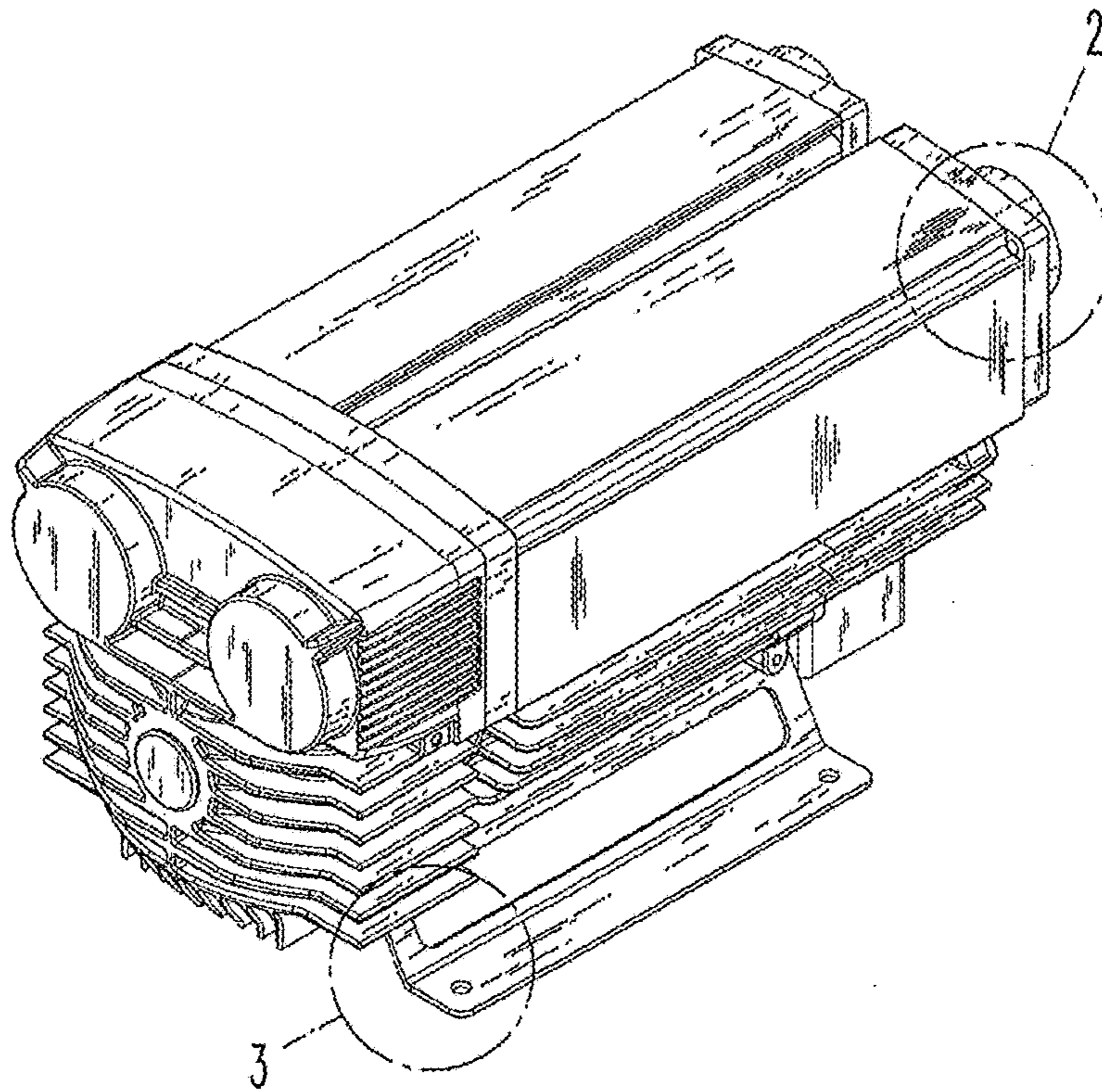


Fig. 2

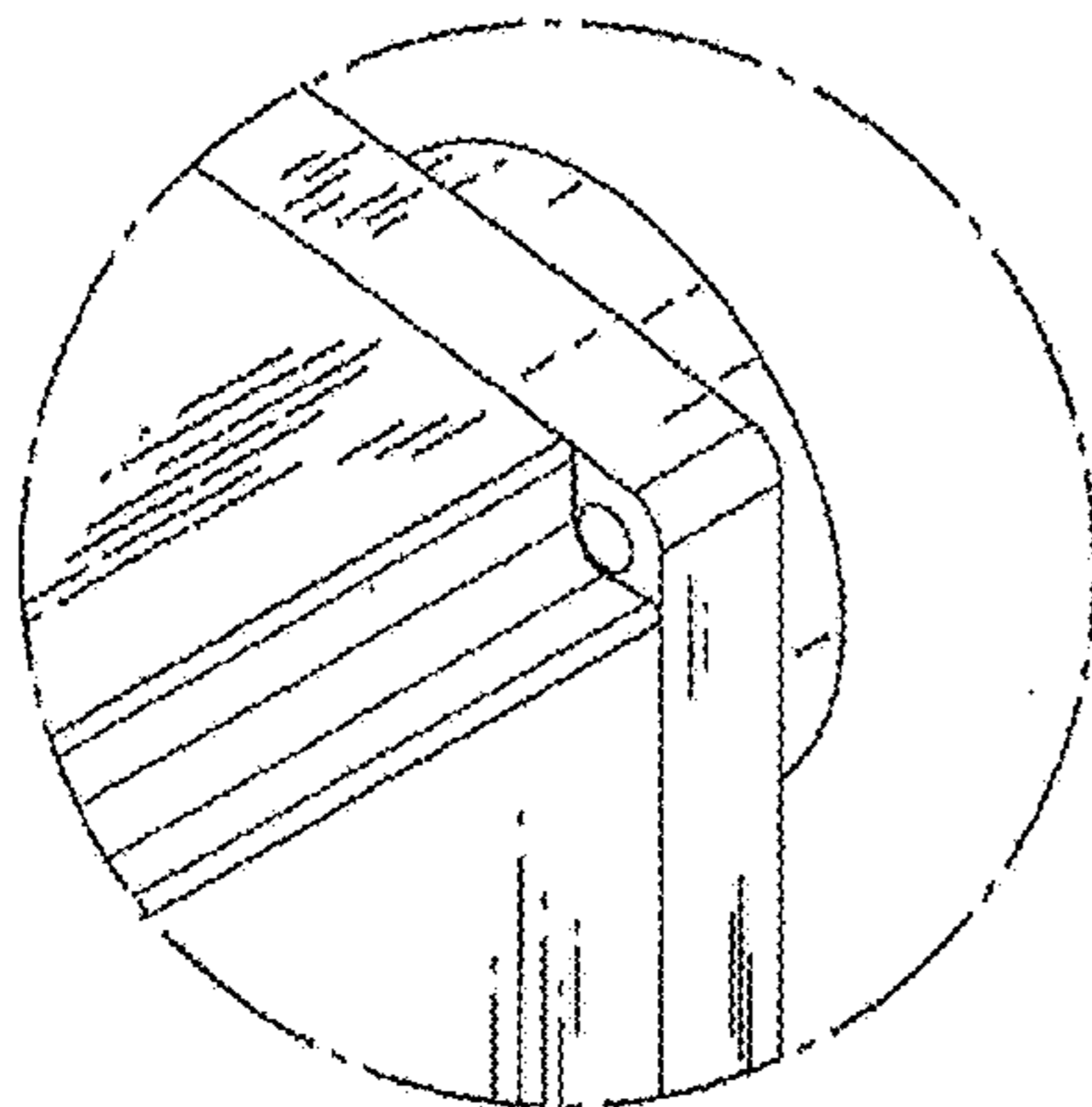


Fig. 3

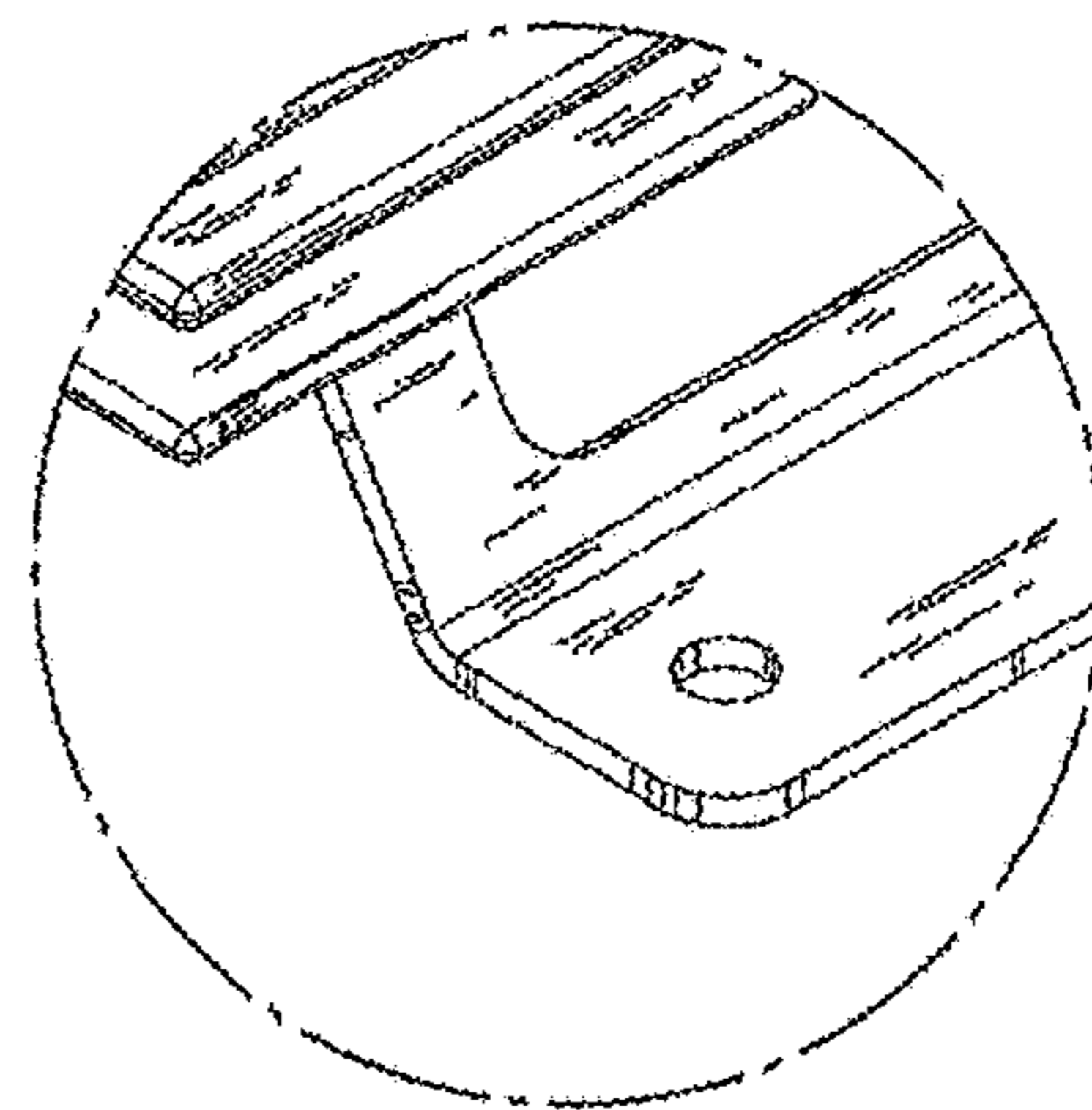


Fig. 4

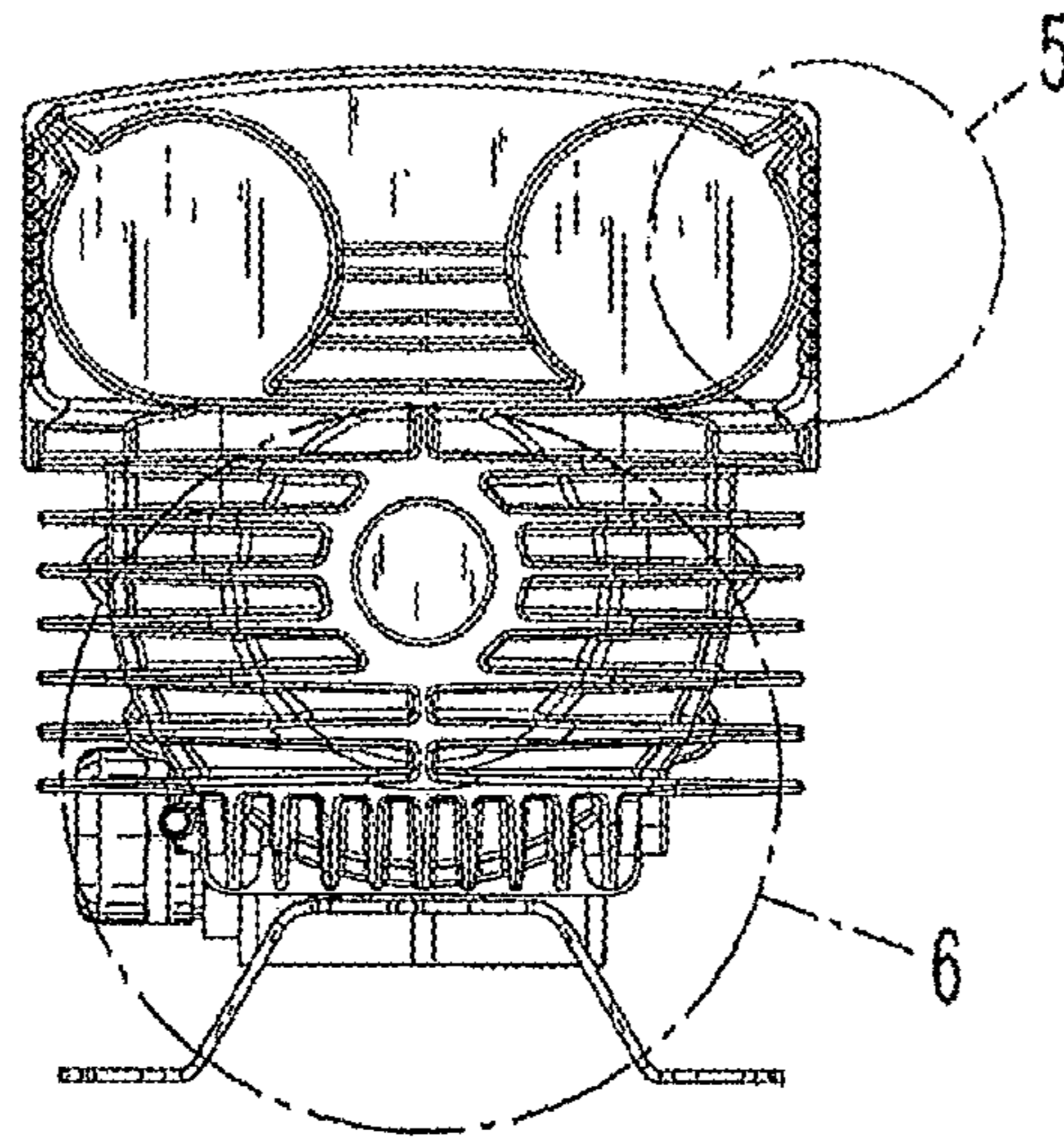


Fig. 5

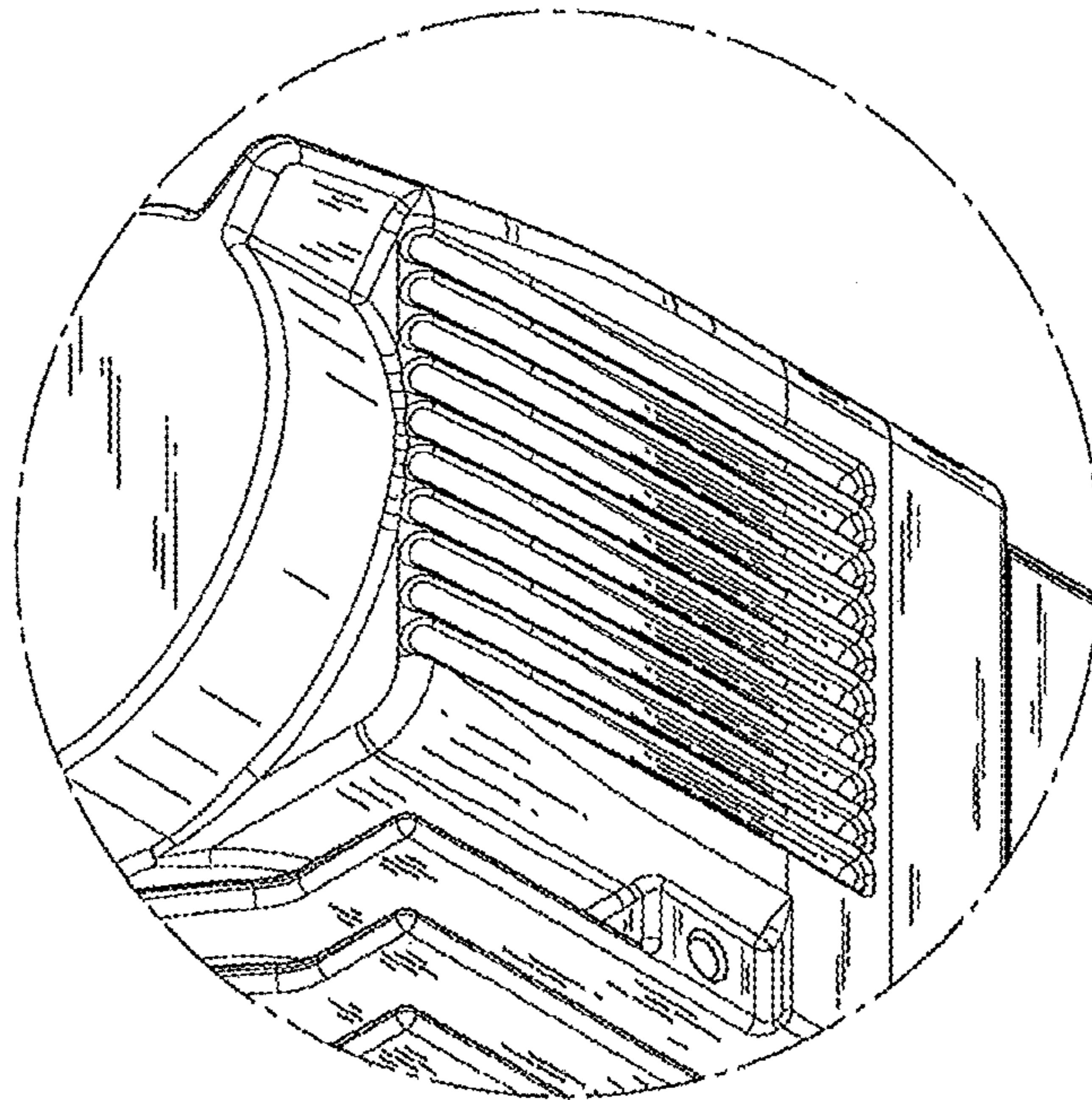


Fig. 6

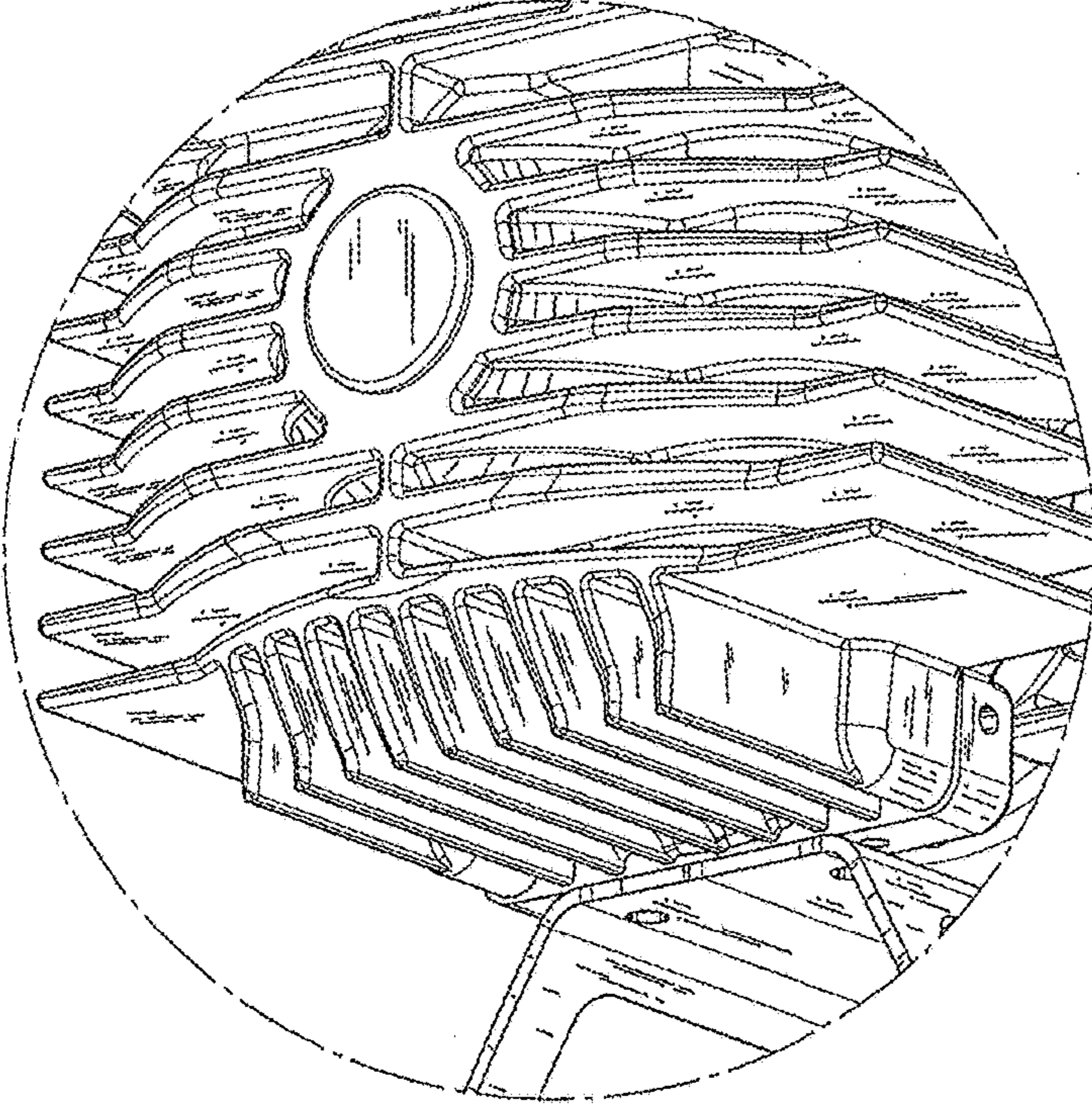


Fig. 7

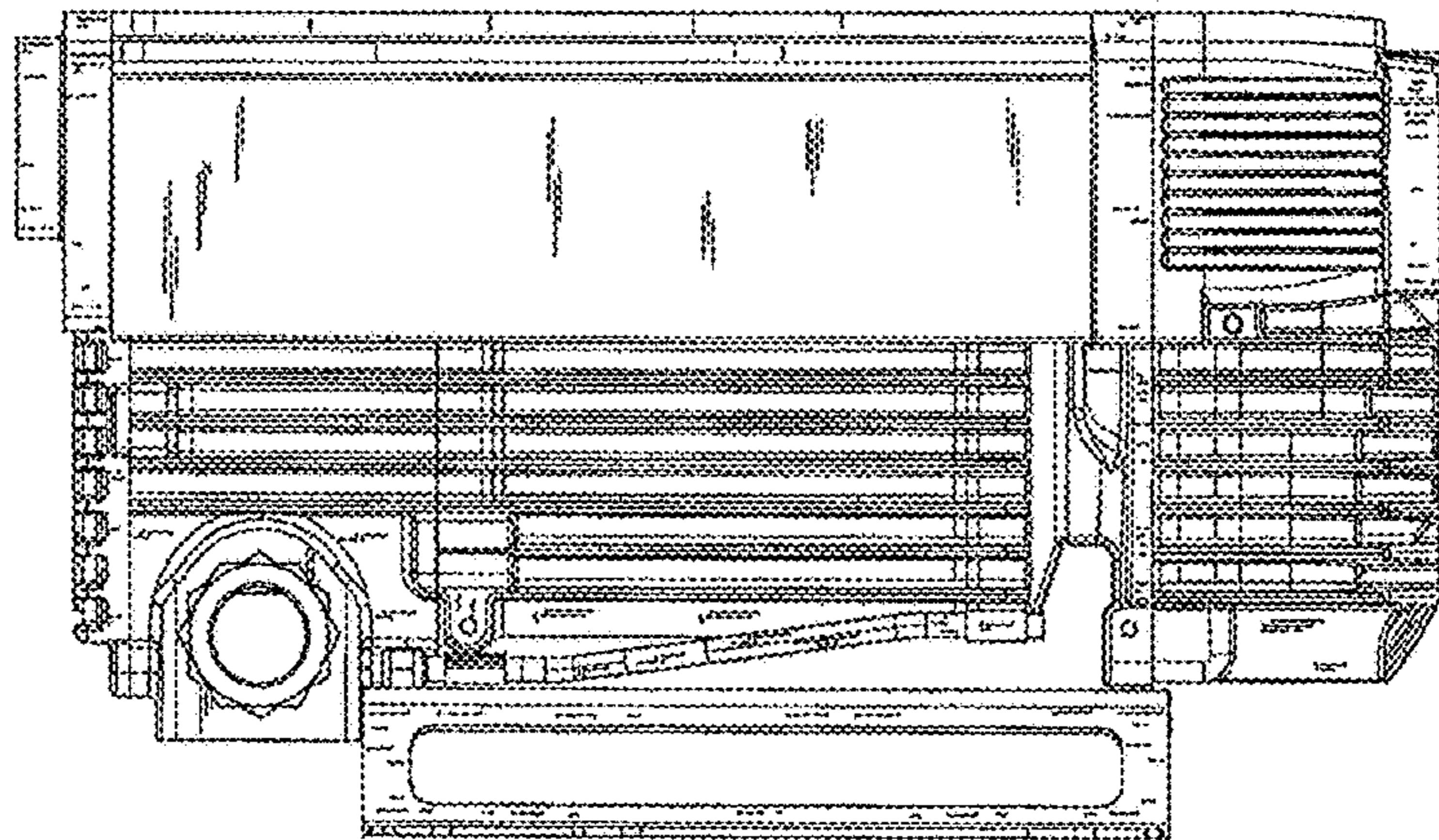


Fig. 8

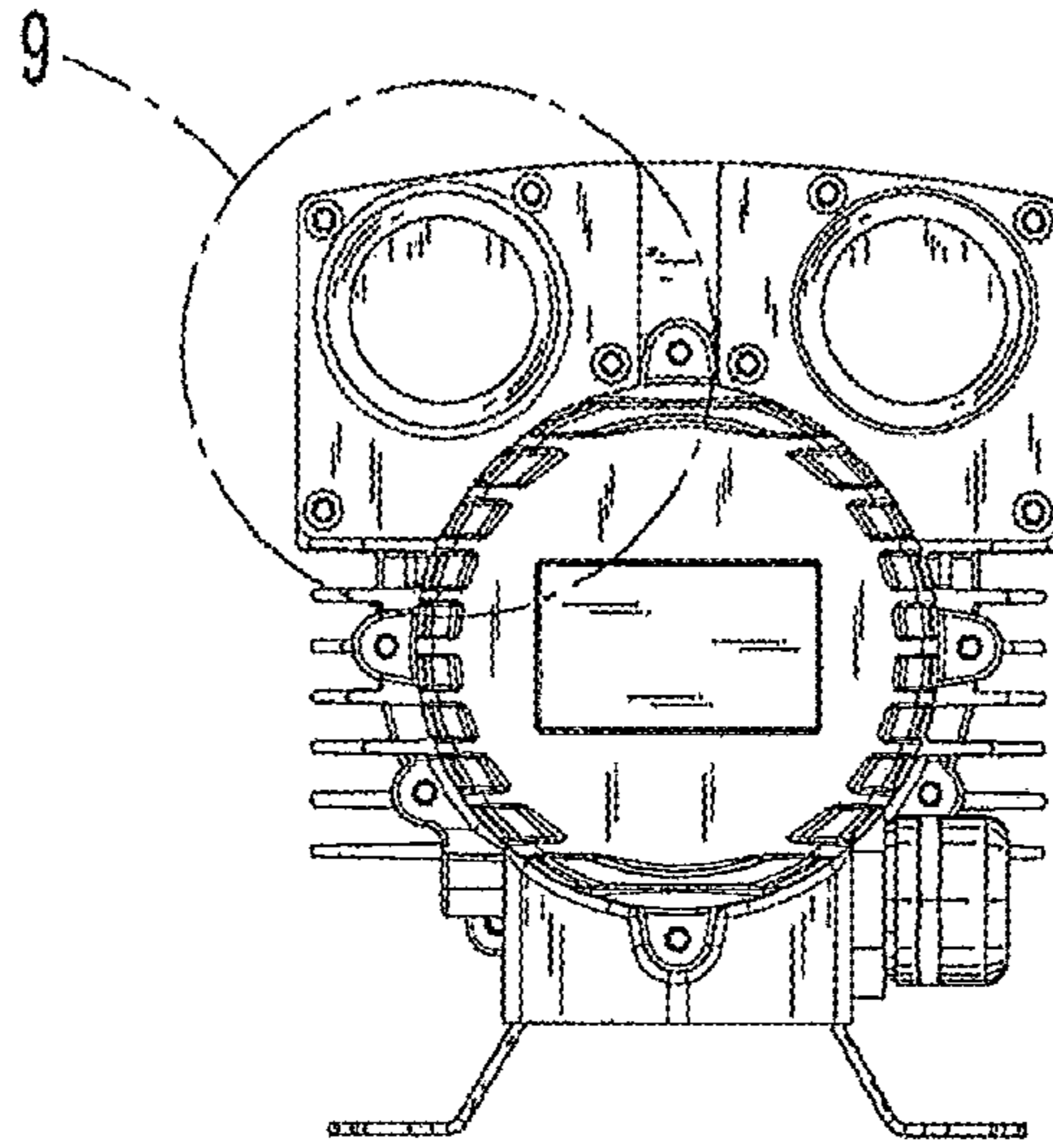


Fig. 9

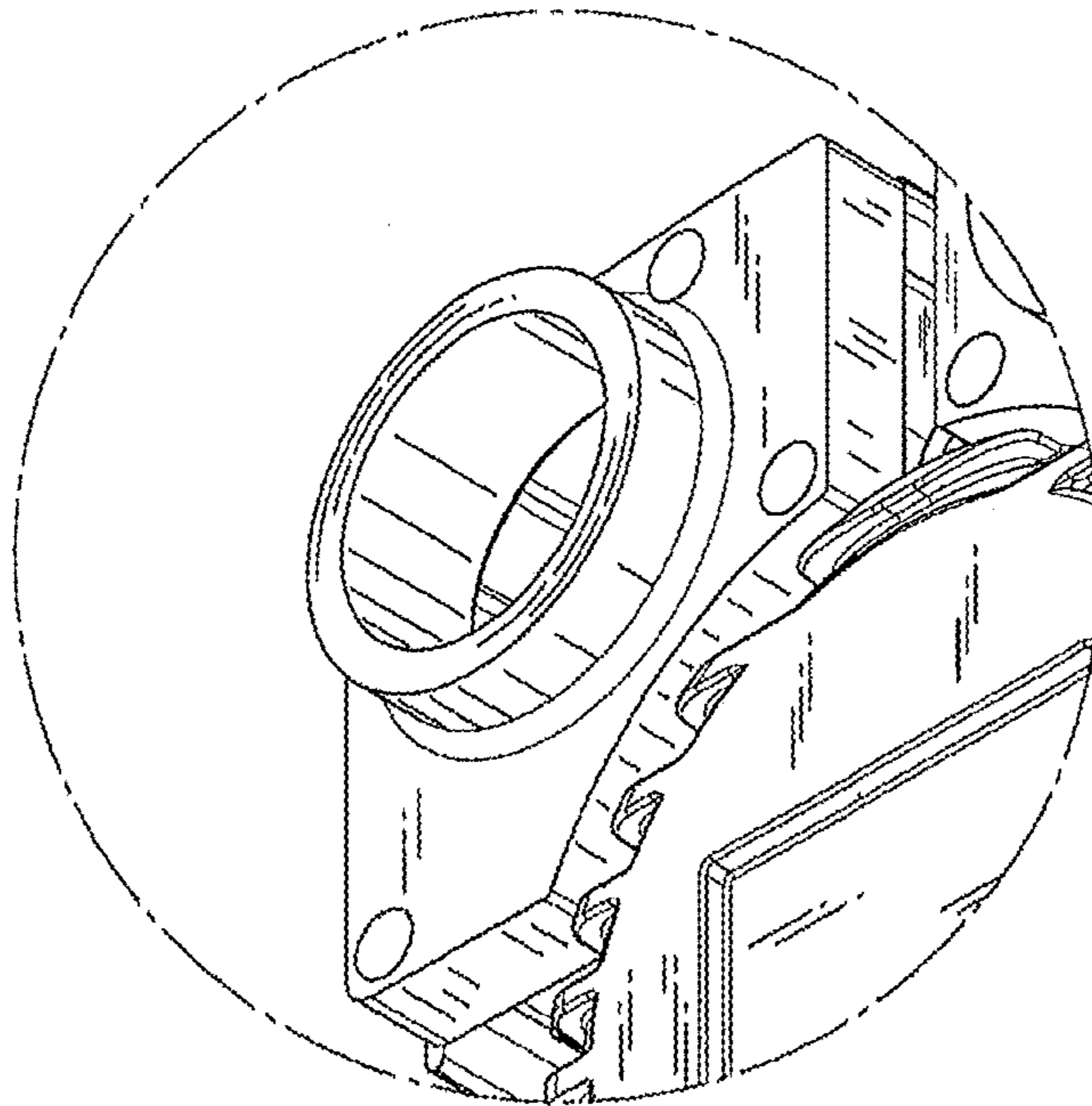


Fig. 10

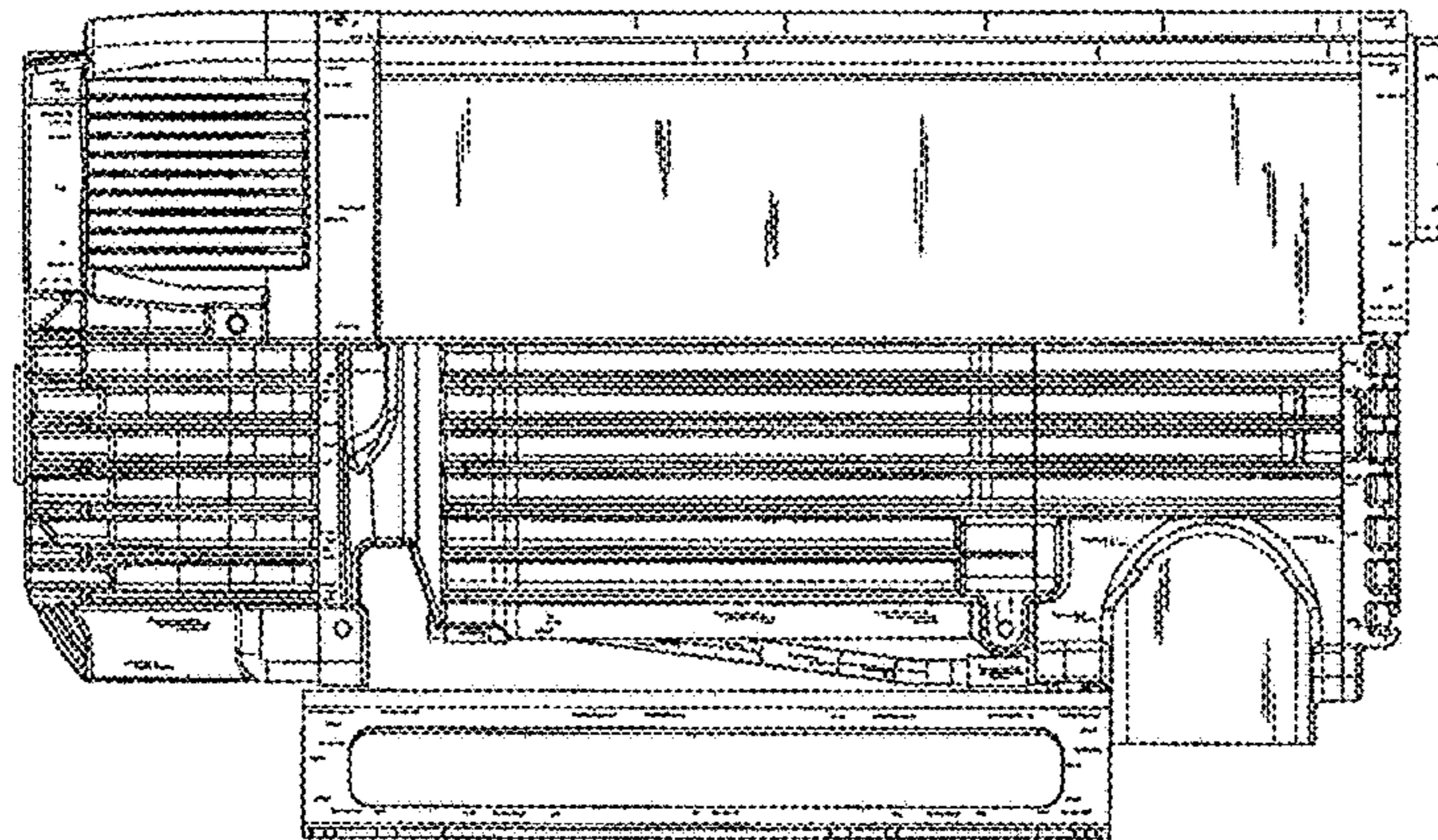


Fig. 11

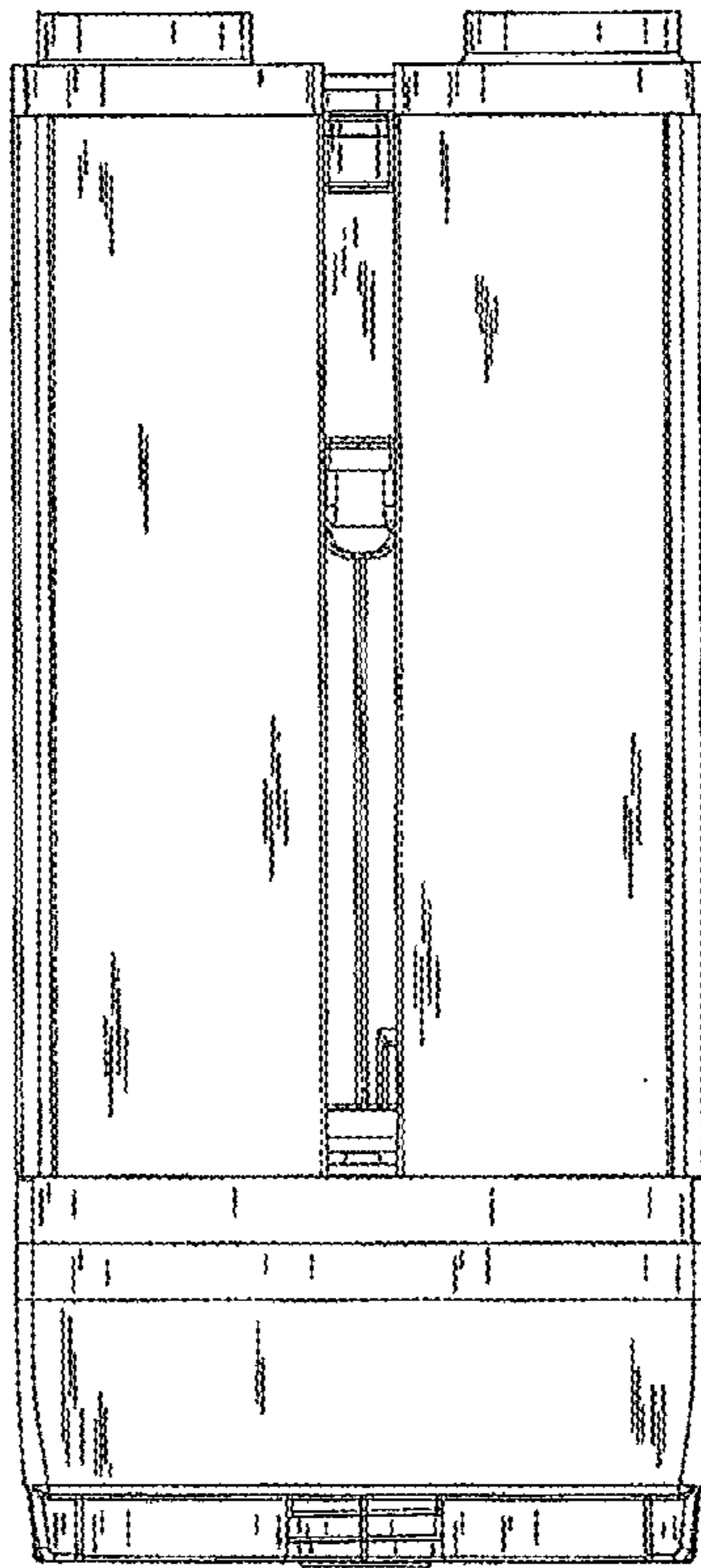


Fig. 12

