



US00D785678S

(12) **United States Design Patent** (10) **Patent No.:** **US D785,678 S**
Aoki (45) **Date of Patent:** **** May 2, 2017**

(54) **CATALYST CARRIER FOR EXHAUST GAS PURIFICATION**

(71) Applicant: **NGK INSULATORS, LTD.,**
Nagoya-Shi (JP)

(72) Inventor: **Takashi Aoki, Nagoya (JP)**

(73) Assignee: **NGK Insulators, Ltd., Nagoya (JP)**

(**) Term: **15 Years**

(21) Appl. No.: **29/530,511**

(22) Filed: **Jun. 17, 2015**

(30) **Foreign Application Priority Data**

Dec. 24, 2014 (JP) 2014-028834
Dec. 24, 2014 (JP) 2014-028836
Dec. 24, 2014 (JP) 2014-028837
Dec. 24, 2014 (JP) 2014-028839

(51) **LOC (10) Cl.** **15-01**

(52) **U.S. Cl.**
USPC **D15/5**

(58) **Field of Classification Search**
USPC D15/1-6; D23/365, 209, 363, 358, 386,
D23/354, 341, 364
CPC F01M 13/00; F01M 2013/0038
See application file for complete search history.

(56) **References Cited**

U.S. PATENT DOCUMENTS

3,495,606 A * 2/1970 Phillips A62C 2/16
137/75
D398,046 S * 9/1998 Gillingham D23/365
D425,189 S * 5/2000 Gillingham D23/355
7,879,427 B2 * 2/2011 Ohno B01D 39/2086
428/116
7,939,157 B2 * 5/2011 Tsunekawa B01D 39/202
428/116

9,126,144 B2 * 9/2015 Aoyama B01D 53/74
D748,236 S * 1/2016 Shibata D23/365
D748,237 S * 1/2016 Shibata D23/365
D749,714 S * 2/2016 Shibata D23/365
2008/0245040 A1 * 10/2008 Riley B01D 46/2455
55/522
2009/0090089 A1 * 4/2009 Phelps B01D 46/0078
55/282.3
2010/0124519 A1 * 5/2010 Kohli B01D 46/0024
422/169
2011/0000199 A1 * 1/2011 Ezawa B01D 46/0002
60/311
2011/0023472 A1 * 2/2011 Saito F01N 3/0335
60/311
2014/0087080 A1 * 3/2014 Fujioka B05D 1/42
427/355
2014/0087128 A1 * 3/2014 Yanase B01D 46/2462
428/116

(Continued)

Primary Examiner — T. Chase Nelson

Assistant Examiner — Ania Aman

(74) *Attorney, Agent, or Firm* — Burr & Brown, PLLC

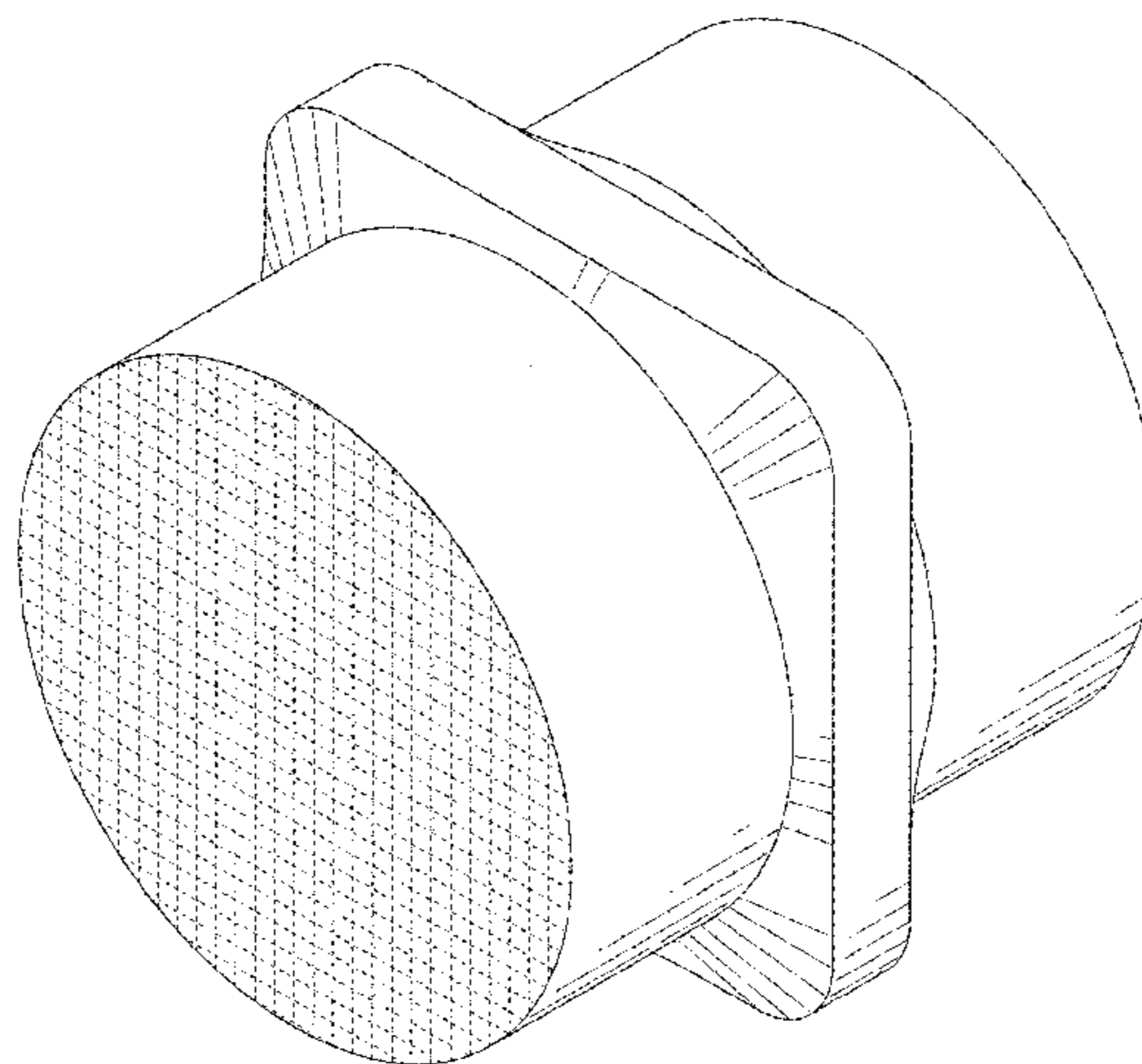
(57) **CLAIM**

The ornamental design for a catalyst carrier for exhaust gas purification, as shown and described.

DESCRIPTION

FIG. 1 is a perspective view of a catalyst carrier for exhaust gas purification illustrating my new design; FIG. 2 is a front view thereof, the rear view thereof being a mirror image; FIG. 3 is a right view thereof, the left view thereof being a mirror image; and, FIG. 4 is a top view thereof, the bottom view thereof being a mirror image. The broken lines in the drawings depict unclaimed subject matter only and form no part of the claimed design.

1 Claim, 4 Drawing Sheets



(56)

References Cited

U.S. PATENT DOCUMENTS

2014/0087636 A1* 3/2014 Fujioka B24B 1/00
451/41
2014/0123612 A1* 5/2014 Yamada B01D 46/2459
55/523
2015/0238951 A1* 8/2015 Aoki B01J 35/0006
428/131
2016/0115835 A1* 4/2016 Daido F01N 3/0222
422/180
2016/0194991 A1* 7/2016 Clayton, Jr. F01N 3/0224
422/169

* cited by examiner

Fig.1

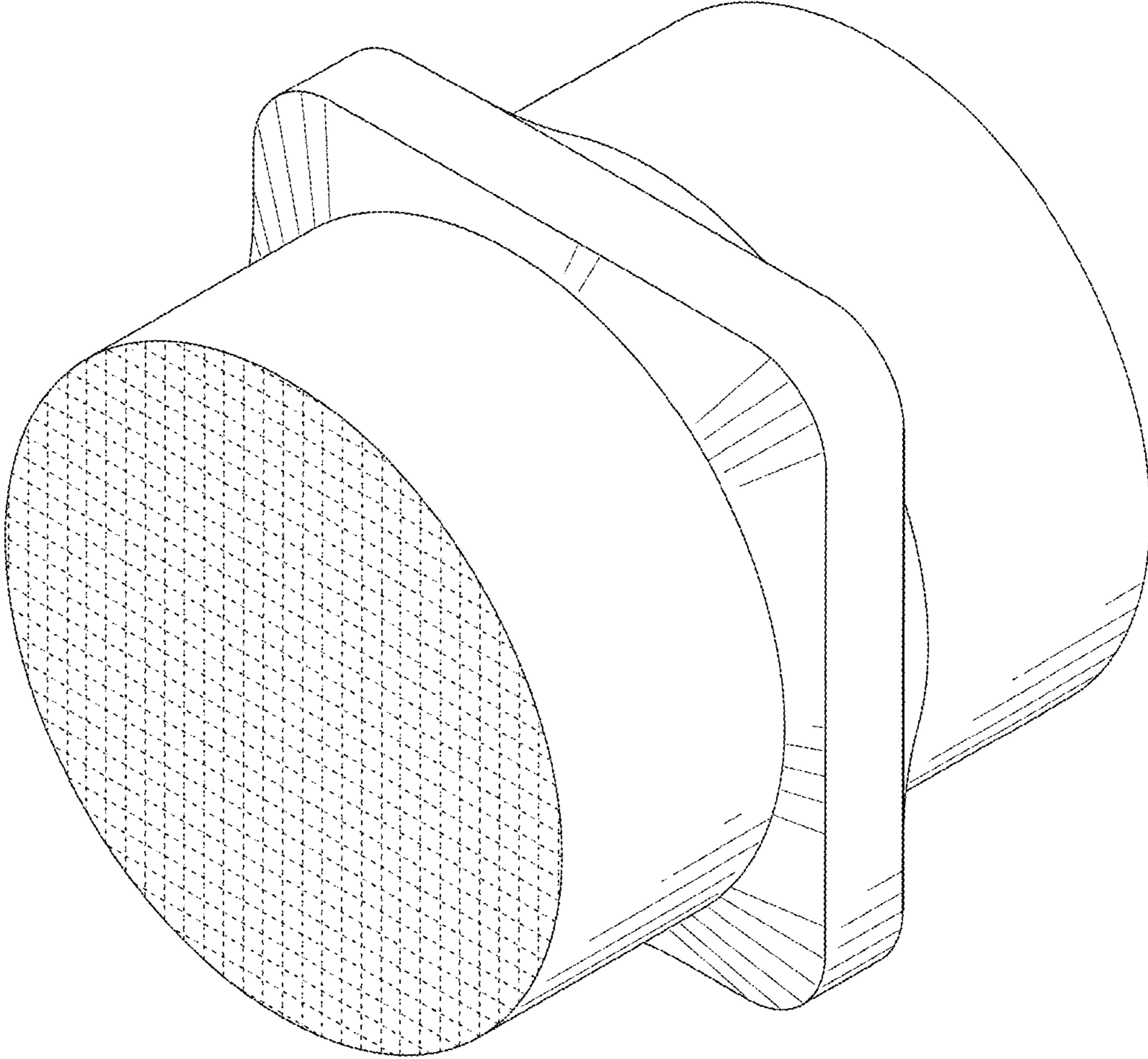


Fig.2

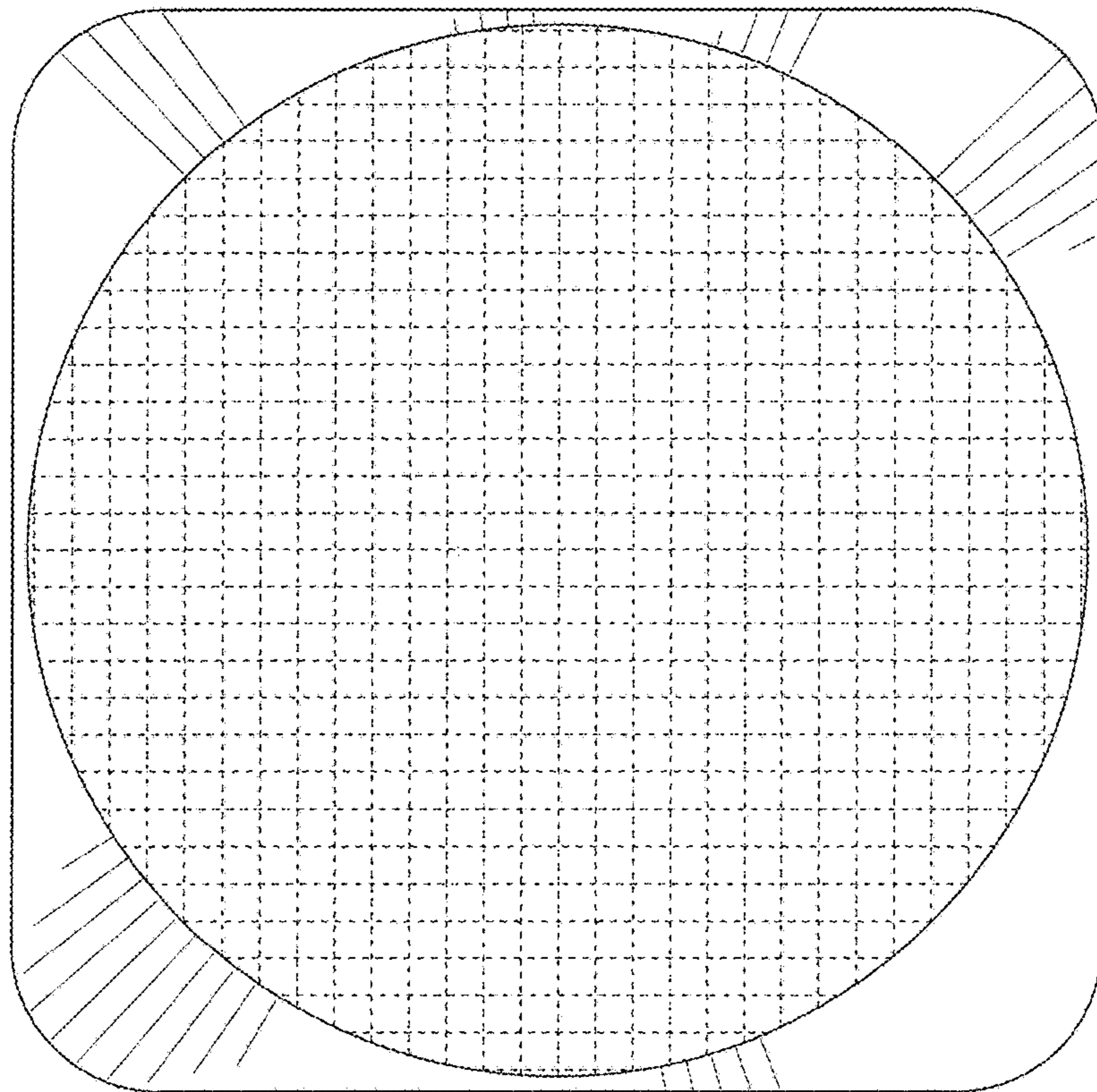


Fig. 3

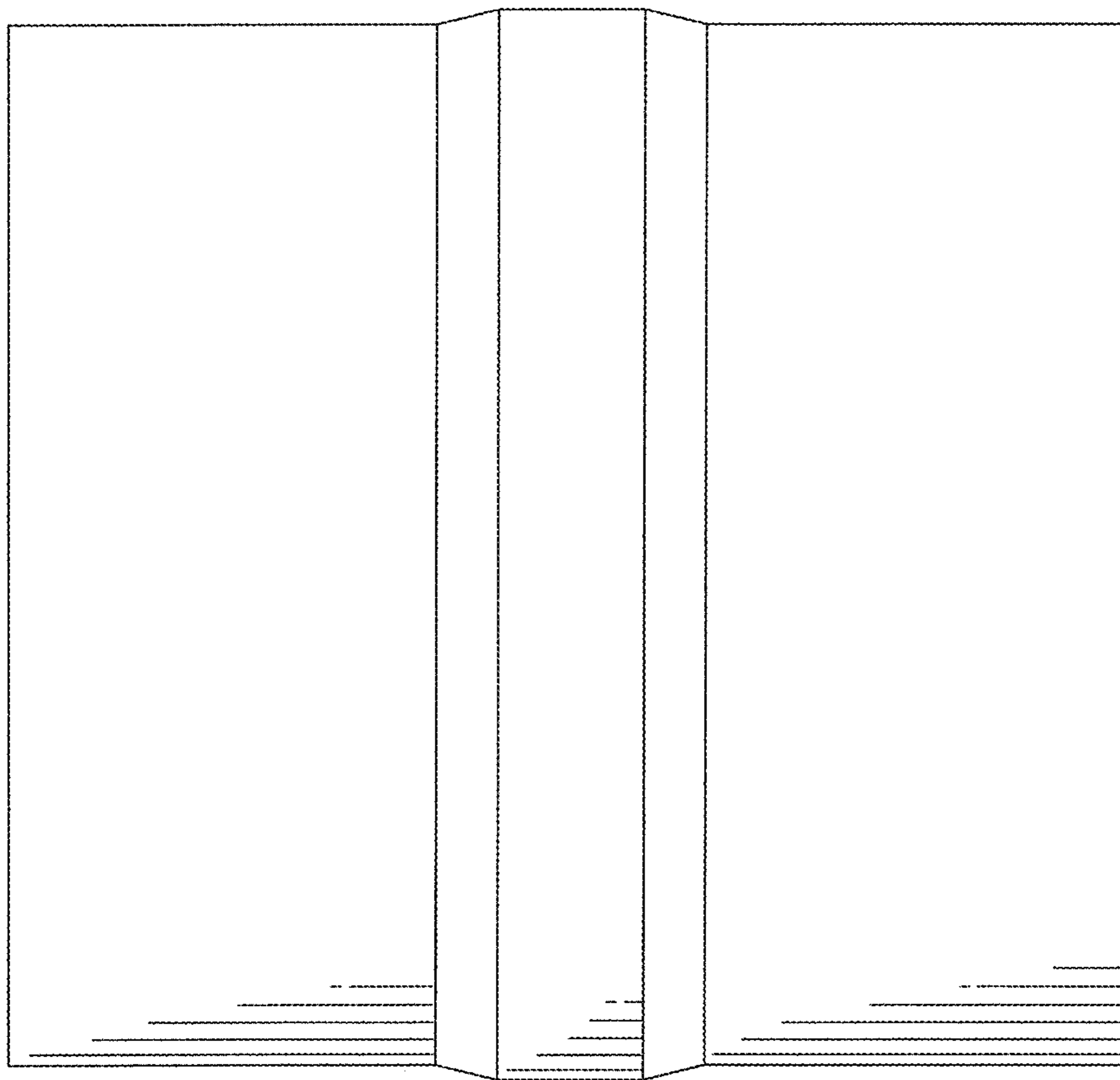


Fig. 4

