



US00D785677S

(12) **United States Design Patent** (10) **Patent No.:** **US D785,677 S**
Rummel et al. (45) **Date of Patent:** **** May 2, 2017**

(54) **HOUSING ELEMENT FOR A REGENERATIVE BLOWER**

(71) Applicant: **Busch Dienste GmbH**, Maulburg (DE)

(72) Inventors: **Christian Rummel**, Ludwigsburg (DE);
Tim Storti, Ludwigsburg (DE)

(73) Assignee: **BUSCH DIENSTE GMBH**, Maulburg (DE)

(**) Term: **14 Years**

(21) Appl. No.: **29/525,686**

(22) Filed: **May 1, 2015**

(30) **Foreign Application Priority Data**

Nov. 11, 2014 (WO) 851301201

(51) **LOC (10) Cl.** **15-01**

(52) **U.S. Cl.**
USPC **D15/5**

(58) **Field of Classification Search**

USPC D15/1-5, 7, 9; D23/383, 370; 415/204,
415/214.1, 206, 213.1, 247 R

CPC F04D 3/00; F04D 23/008; F04D 29/08;
F04D 29/44; F04D 29/42; A47L 11/34;
F01D 25/24; F03B 11/02

See application file for complete search history.

(56) **References Cited**

U.S. PATENT DOCUMENTS

D3,399 S *	3/1869	Sturtevant	D23/383
D510,995 S *	10/2005	Tam	D23/383
D532,897 S *	11/2006	Yoshida	D23/383
D539,819 S *	4/2007	Fischer	D15/7
D576,639 S *	9/2008	Uenohara	D15/5
D634,418 S *	3/2011	Li	D23/383
D659,715 S *	5/2012	Seidel	D15/7
D659,718 S *	5/2012	Seidel	D15/9

(Continued)

Primary Examiner — T. Chase Nelson

Assistant Examiner — Ania Aman

(74) *Attorney, Agent, or Firm* — Pearne & Gordon LLP

(57) **CLAIM**

We claim the ornamental design for a housing element for a regenerative blower, as shown and described.

DESCRIPTION

FIG. 1 is a top right front perspective view of the housing element for a regenerative blower.

FIG. 2 is a top right rear perspective view of the housing element for a regenerative blower.

FIG. 3 is a top left rear perspective view of the housing element for a regenerative blower.

FIG. 4 is a top left front perspective view of the housing element for a regenerative blower.

FIG. 5 is a bottom right front perspective view of the housing element for a regenerative blower.

FIG. 6 is a bottom right rear perspective view of the housing element for a regenerative blower.

FIG. 7 is a bottom left rear perspective view of the housing element for a regenerative blower.

FIG. 8 is a bottom left front perspective view of the housing element for a regenerative blower.

FIG. 9 is a front view of the housing element for a regenerative blower.

FIG. 10 is a rear front of the housing element for a regenerative blower.

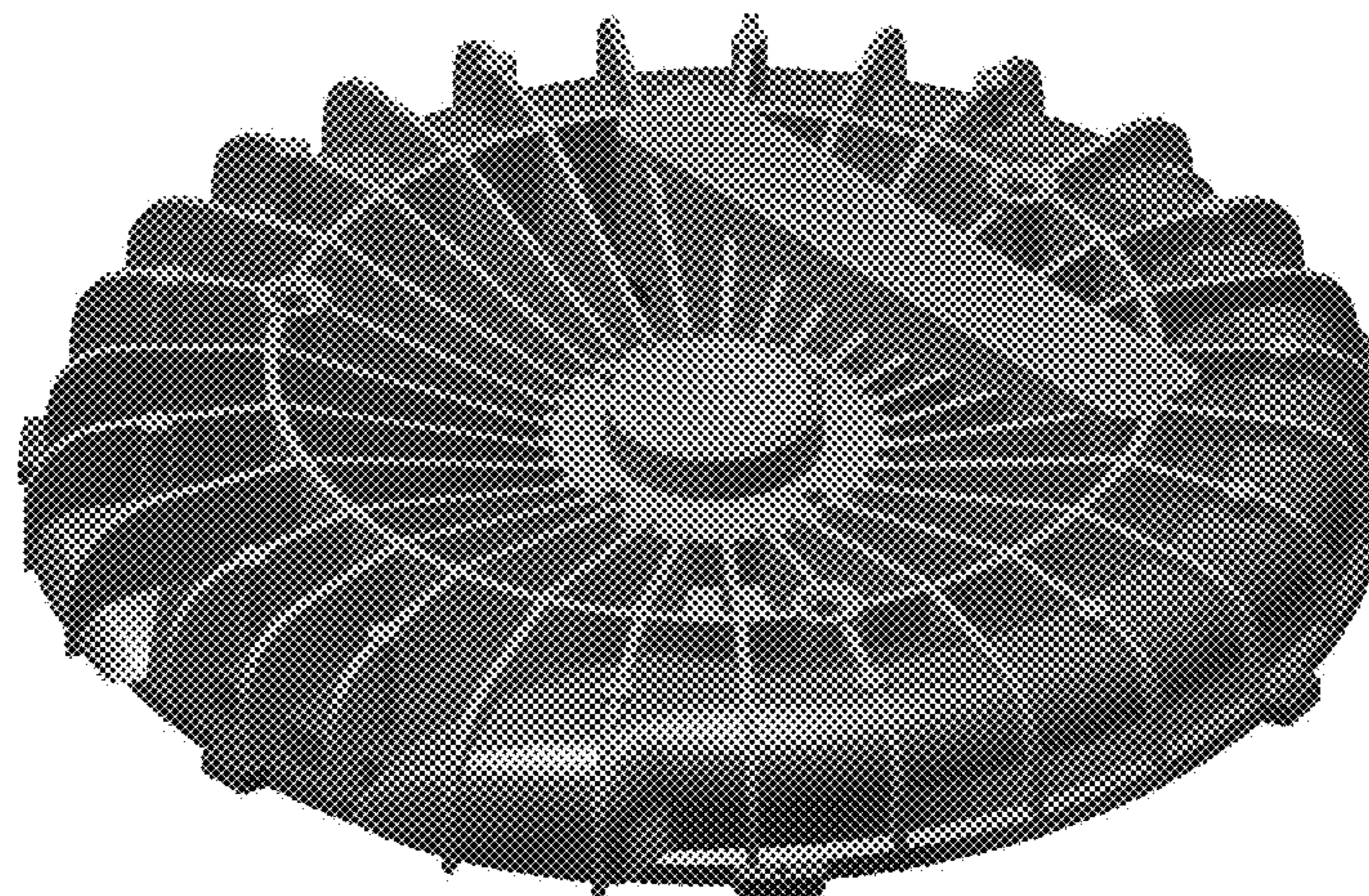
FIG. 11 is a right side view of the housing element for a regenerative blower.

FIG. 12 is a left side view of the housing element for a regenerative blower; and,

FIG. 13 is top view of the housing element for a regenerative blower.

The broken lines represent boundaries of the claimed design, and the broken lines and unshaded surfaces within them form no part of the claimed design.

1 Claim, 13 Drawing Sheets



(56)

References Cited

U.S. PATENT DOCUMENTS

D685,821 S * 7/2013 Kunzendorf D15/9
D693,916 S * 11/2013 Meier D23/383
D694,276 S * 11/2013 Kunzendorf D15/9
D708,731 S * 7/2014 Lei D23/383
2011/0052378 A1* 3/2011 Dittmar F04D 23/008
415/182.1
2013/0195607 A1* 8/2013 Adhvaryu F04D 29/403
415/1
2013/0209247 A1* 8/2013 Herrmann F04D 23/008
415/208.1
2013/0251514 A1* 9/2013 Oakman F04D 3/00
415/183
2014/0079543 A1* 3/2014 Lee F04D 5/008
415/208.2

* cited by examiner

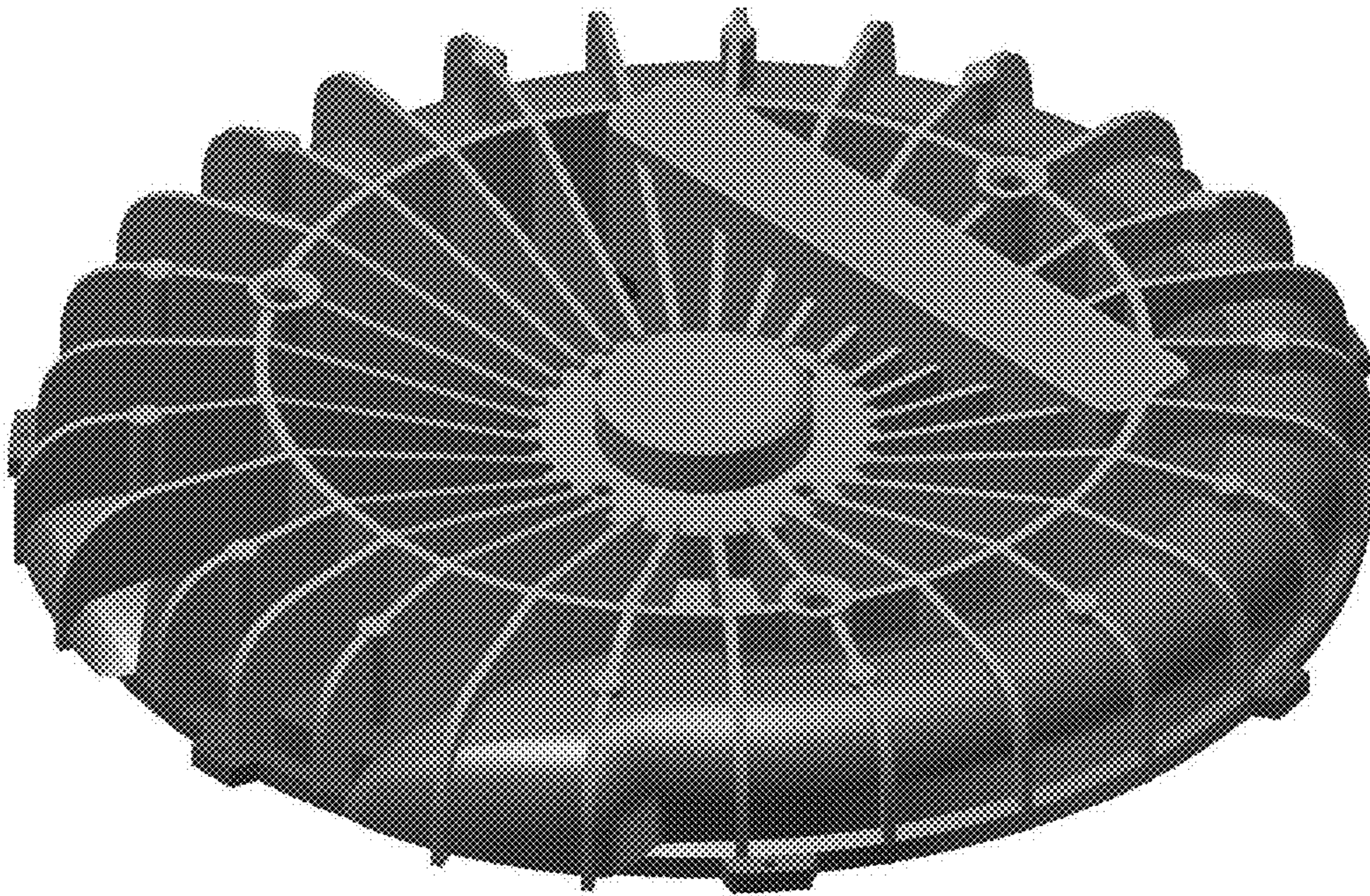


FIG. 1

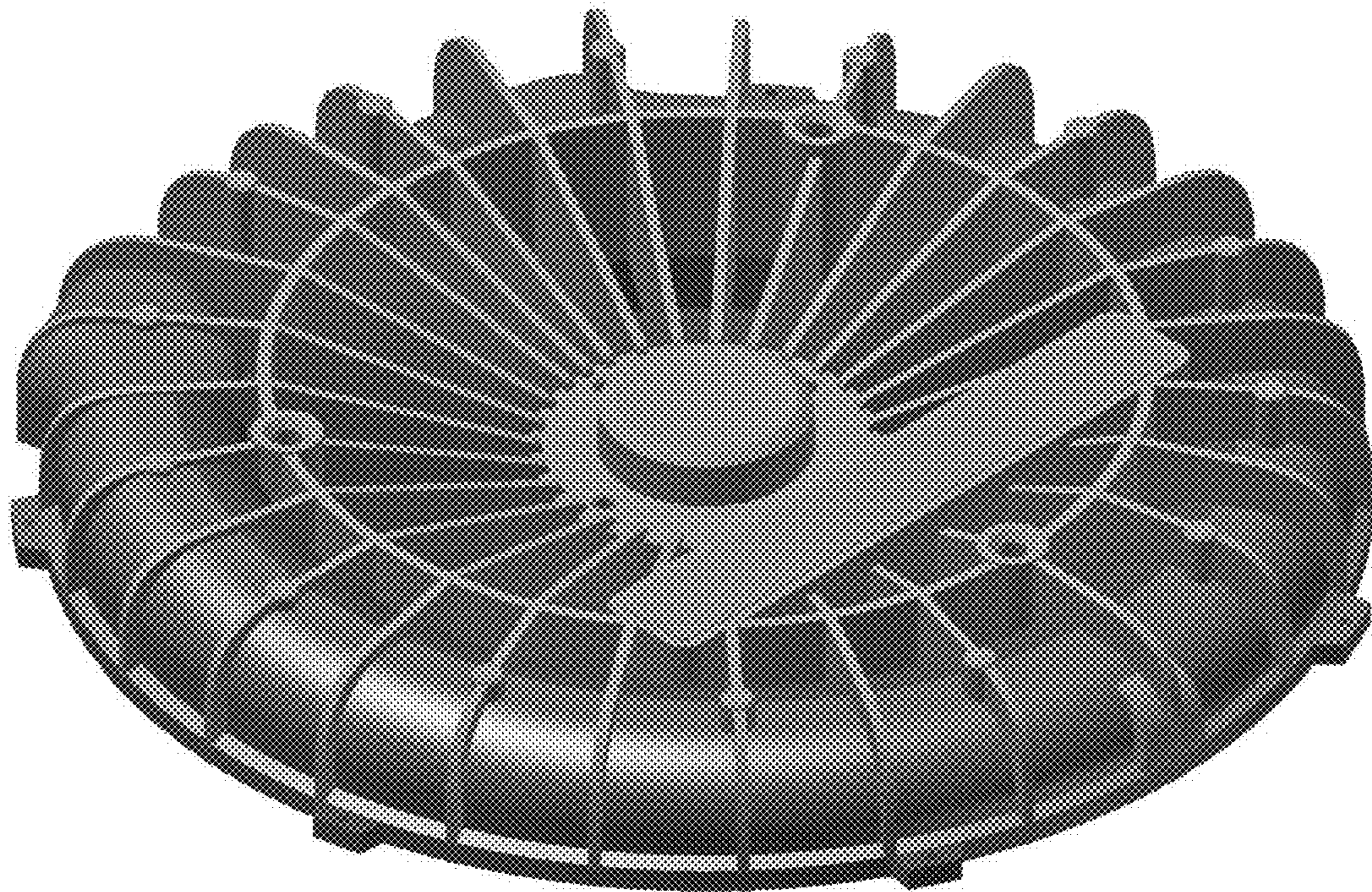


FIG. 2

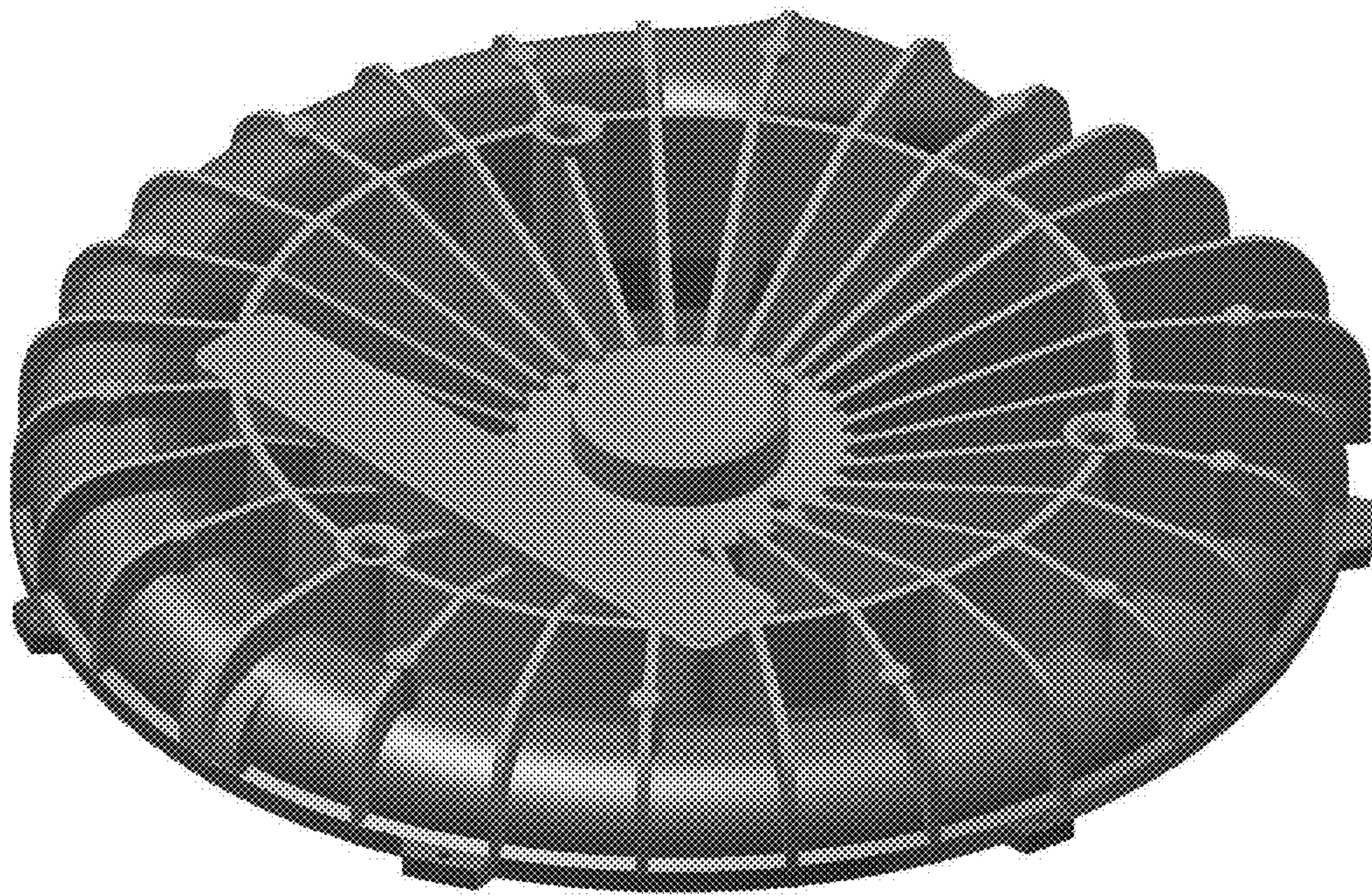


FIG. 3

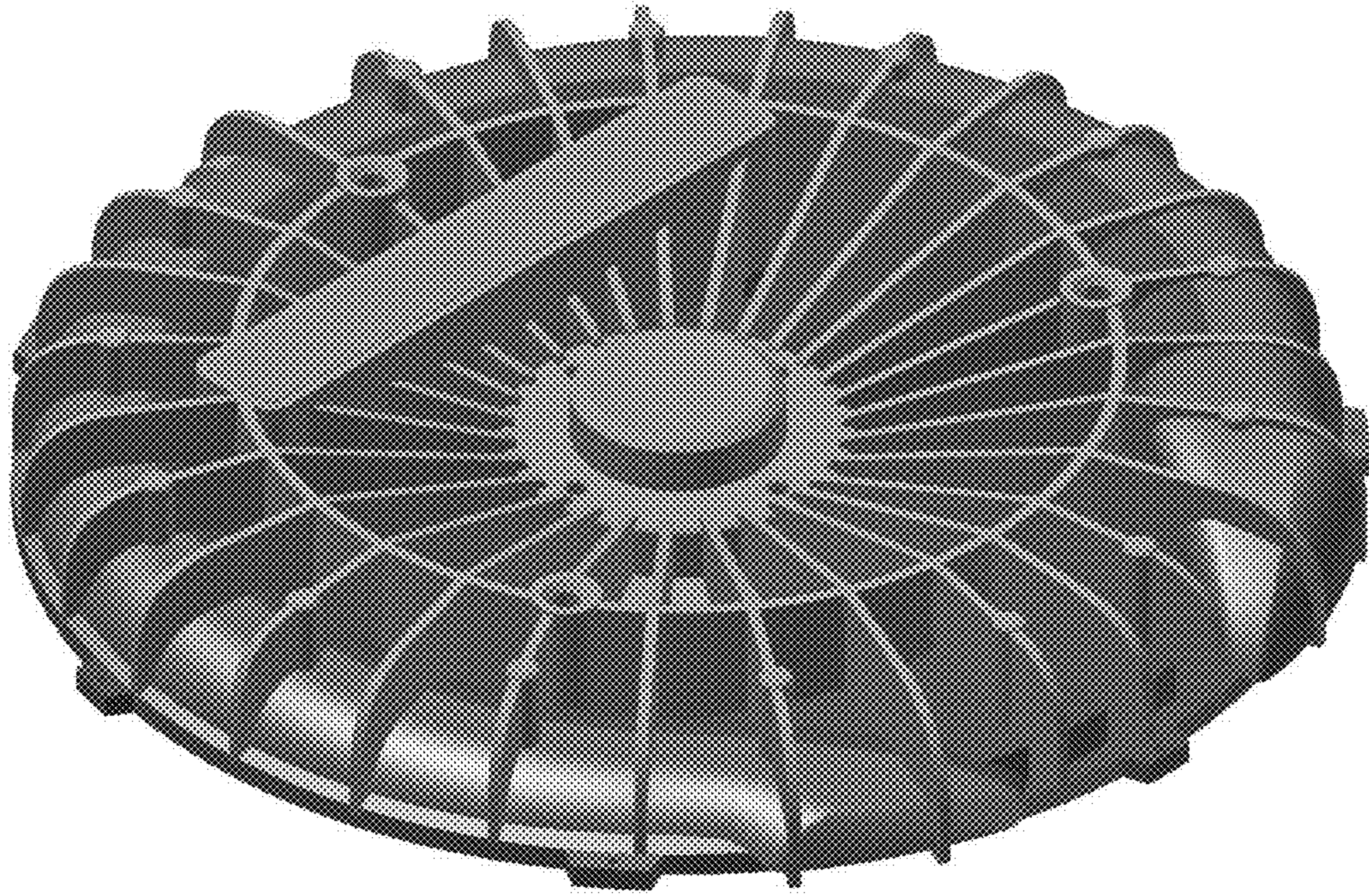


FIG. 4

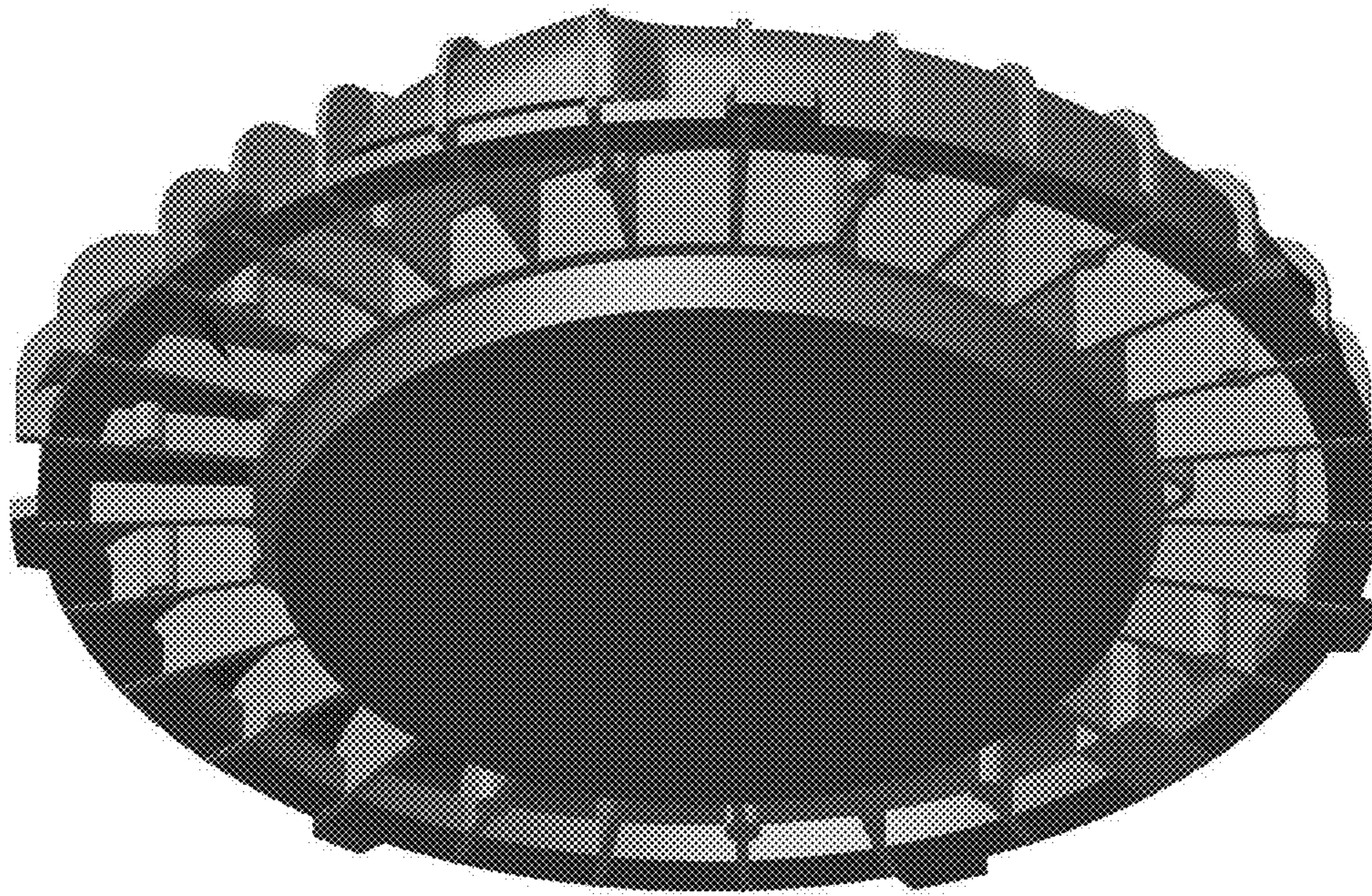


FIG. 5

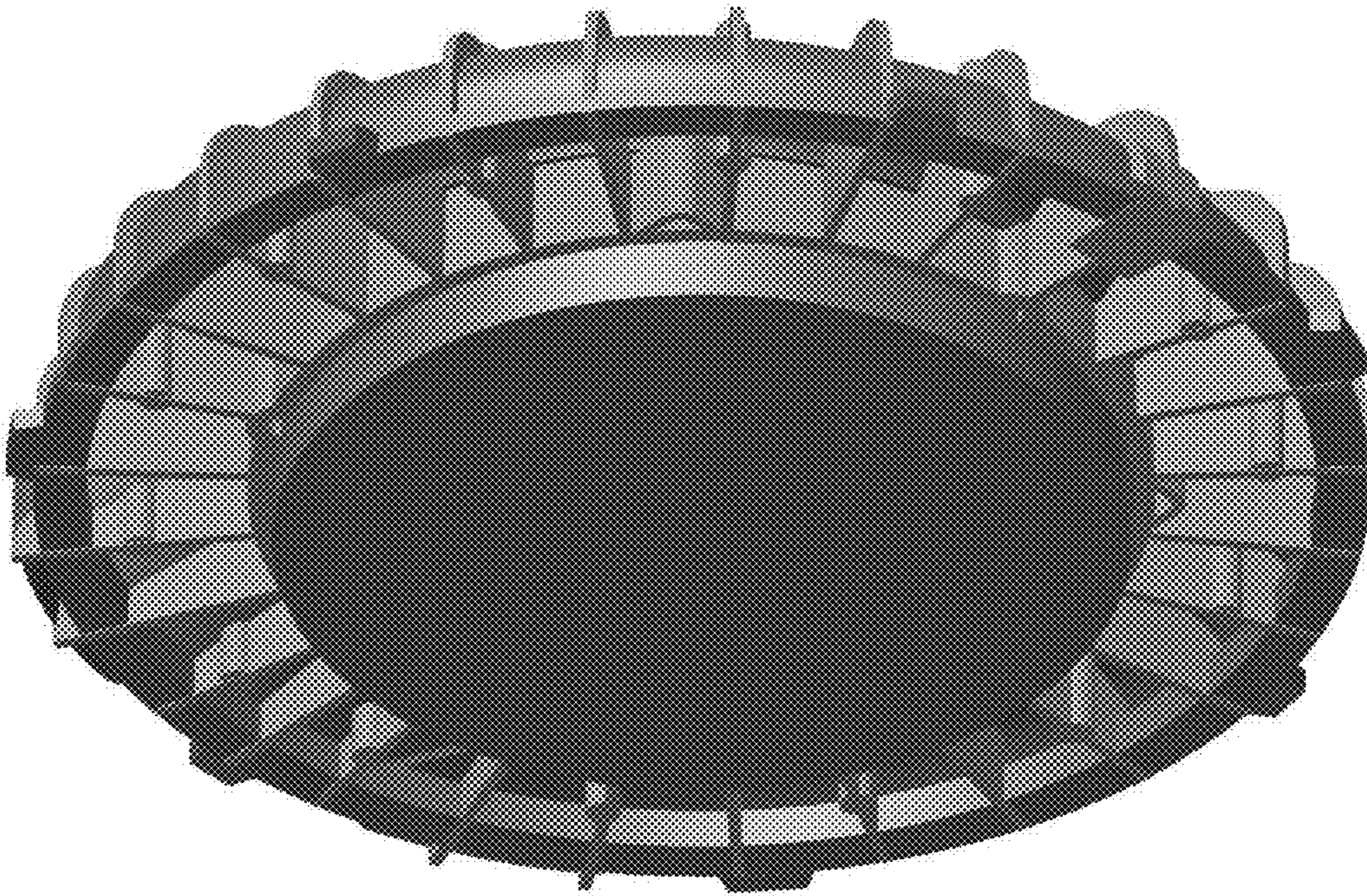


FIG. 6

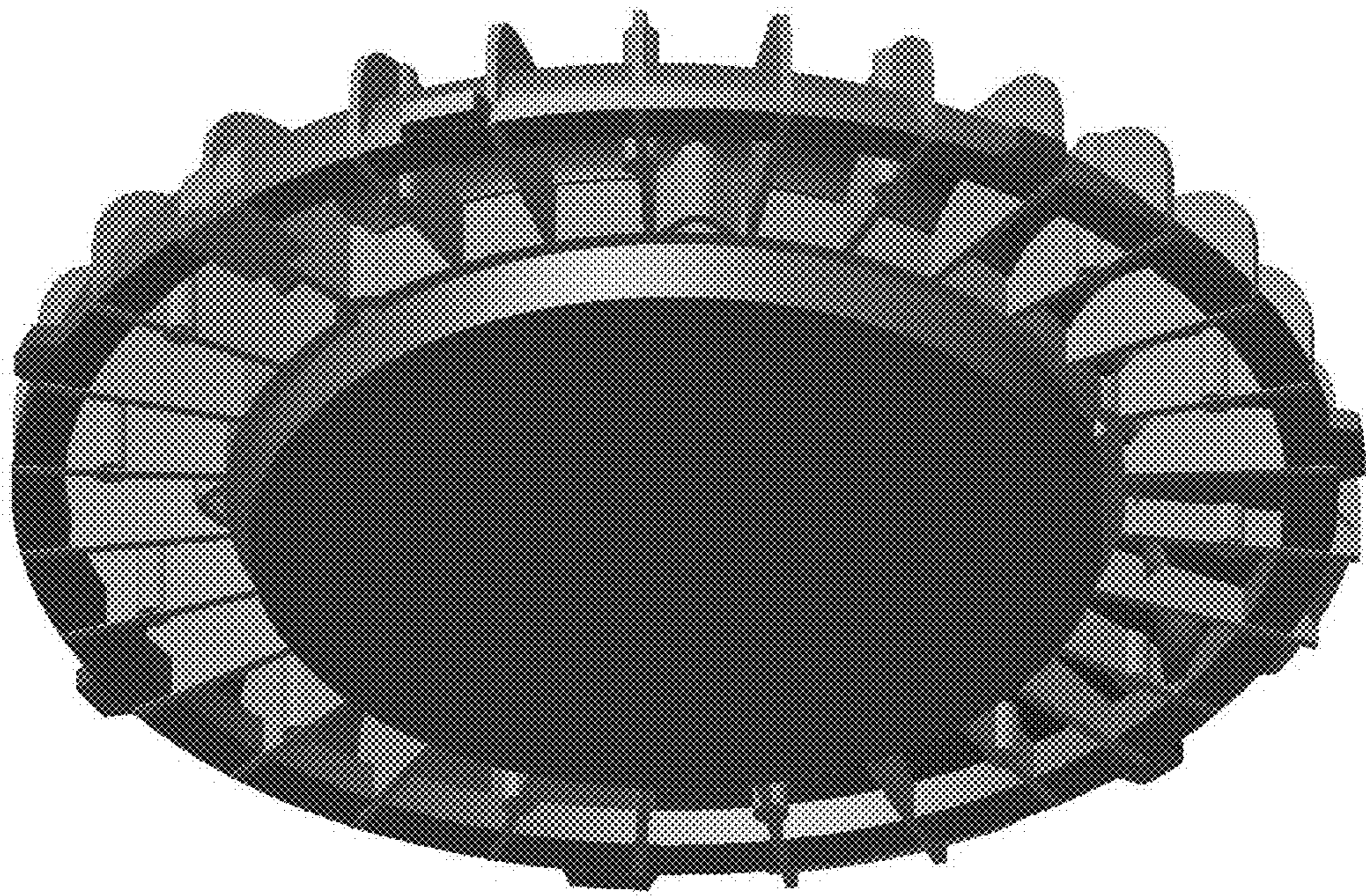


FIG. 7

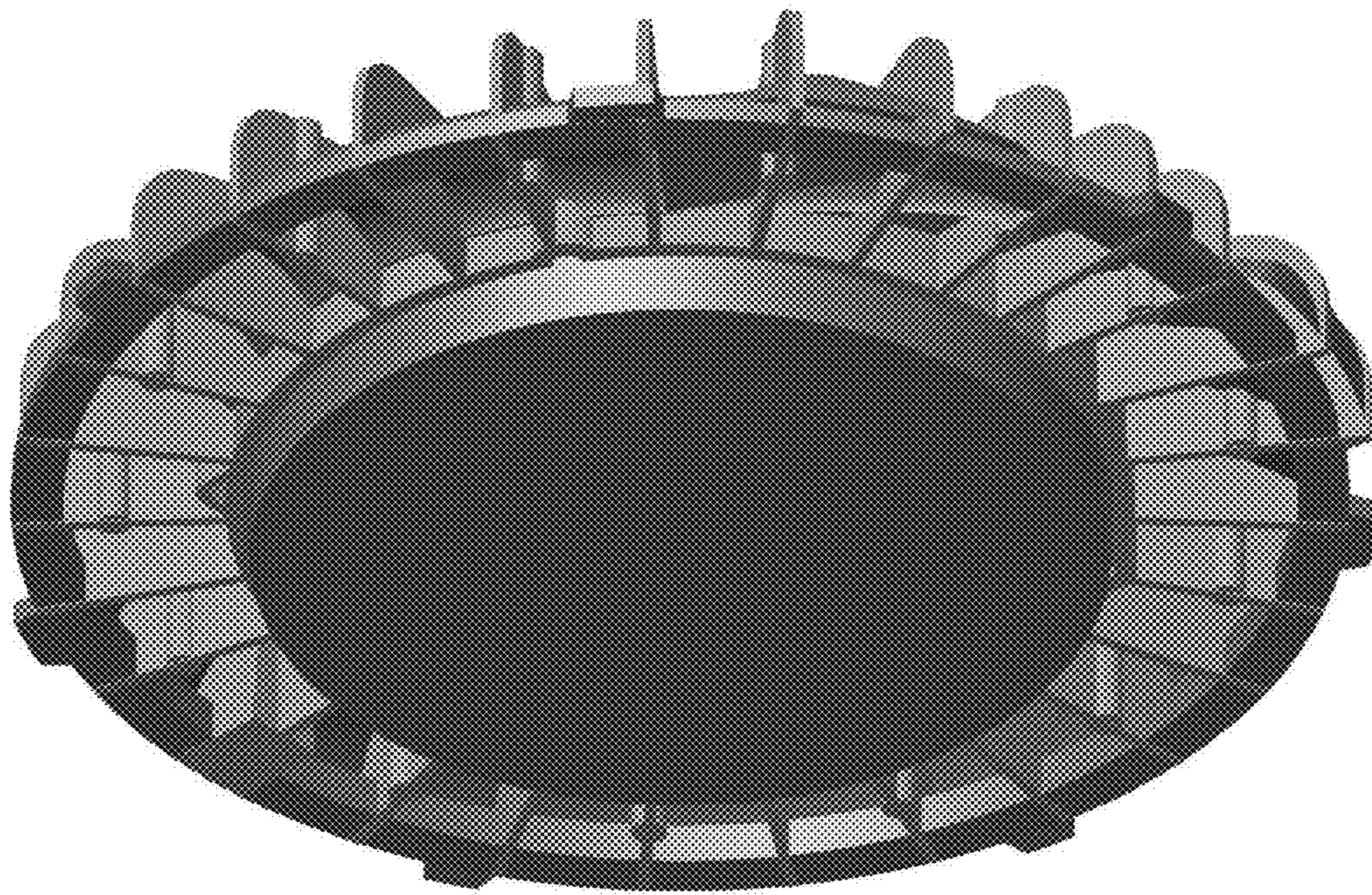


FIG. 8

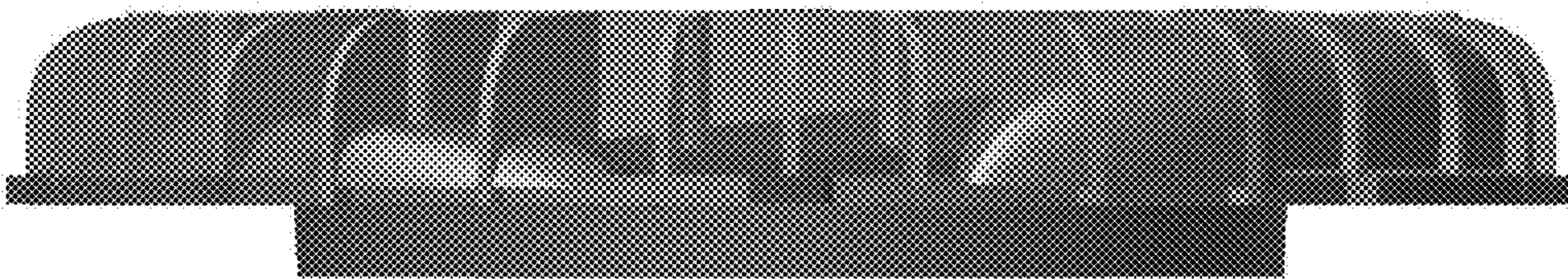


FIG. 9

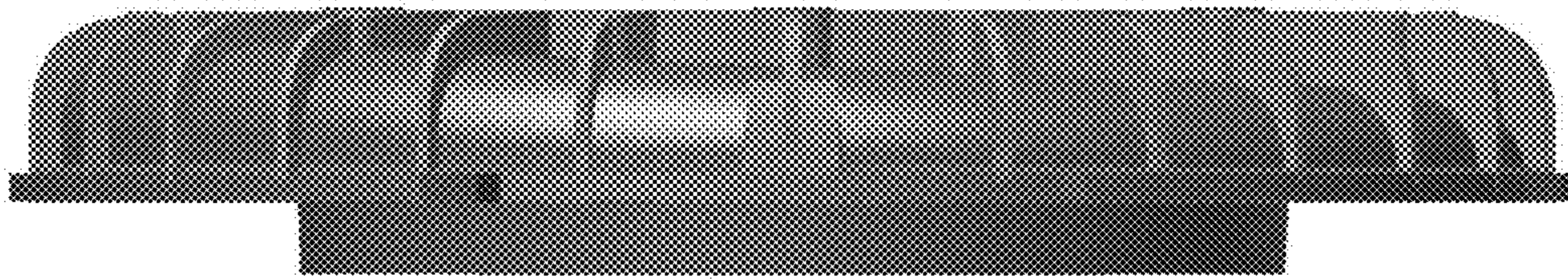


FIG. 10

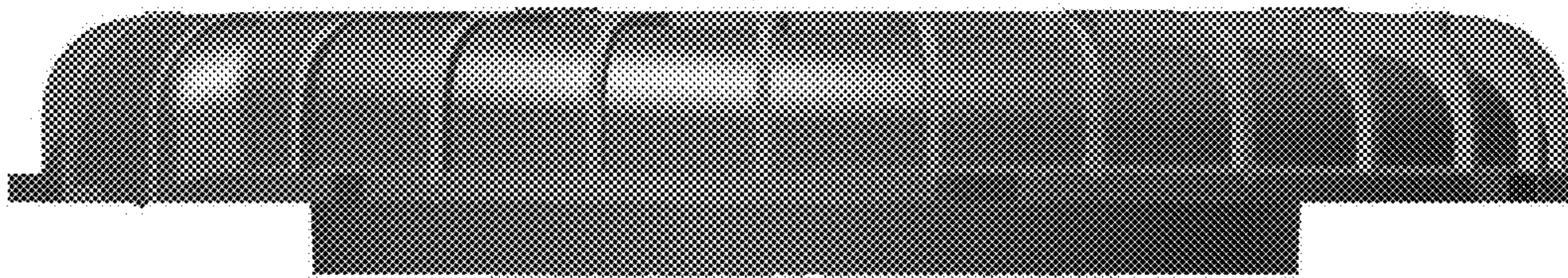


FIG. 11

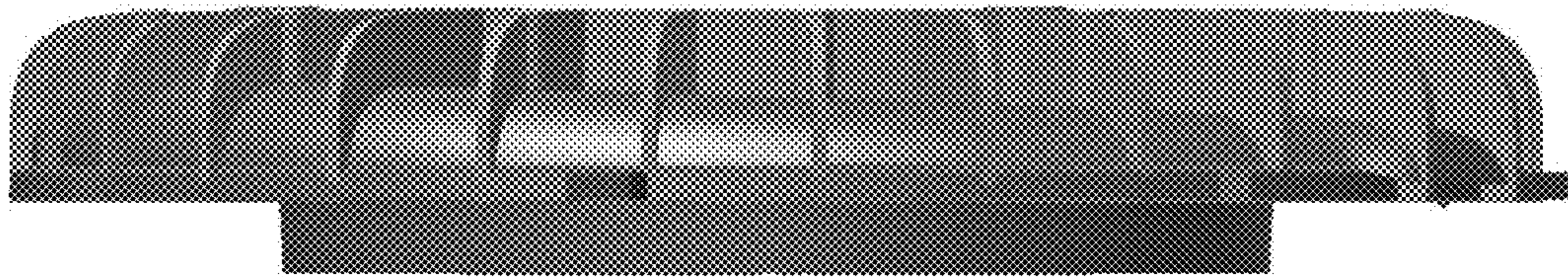


FIG. 12

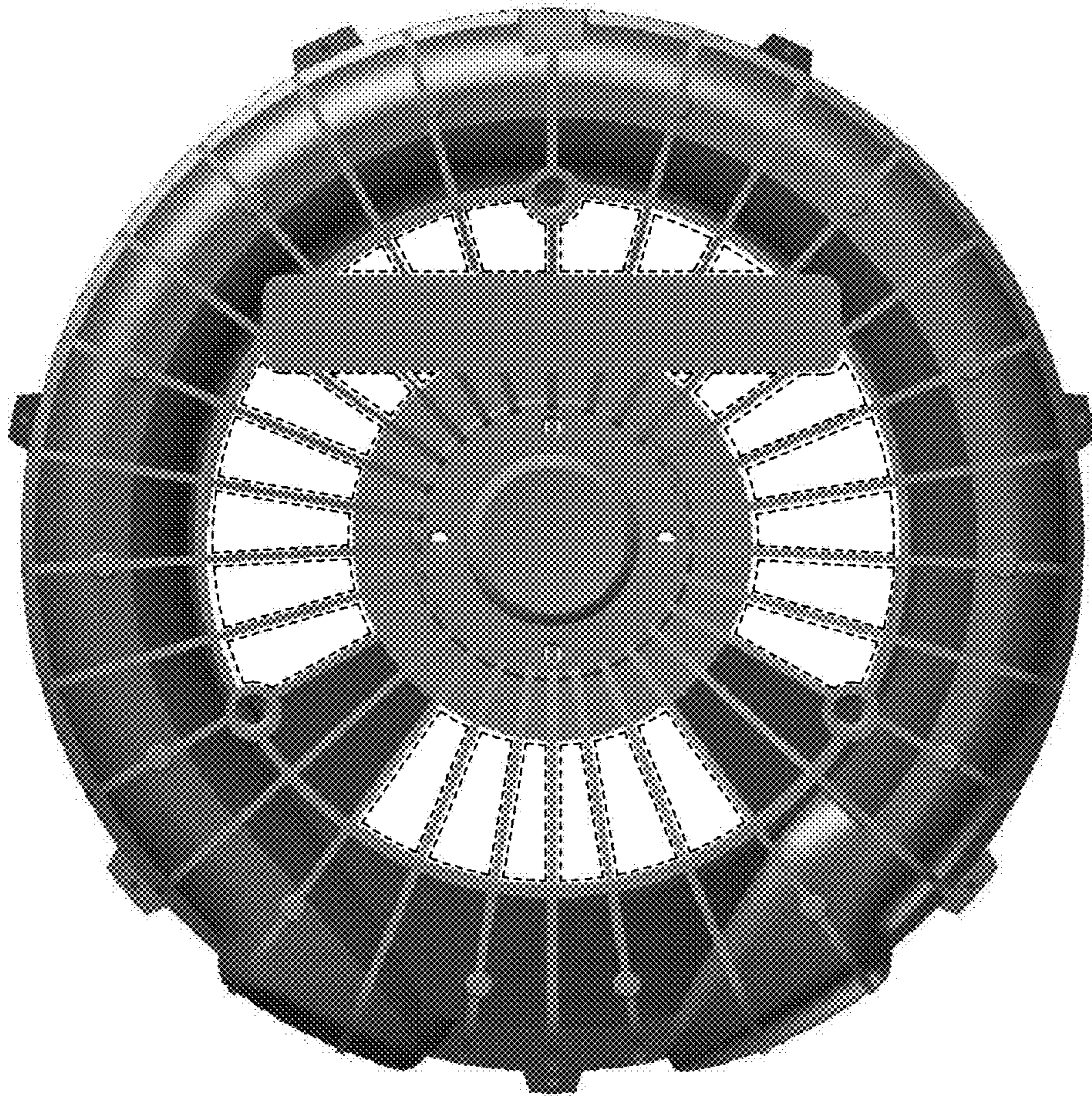


FIG. 13