



US00D785643S

(12) **United States Design Patent** (10) **Patent No.:** **US D785,643 S**
Bao et al. (45) **Date of Patent:** **** May 2, 2017**

(54) **DISPLAY SCREEN OR PORTION THEREOF WITH ANIMATED GRAPHICAL USER INTERFACE**

DESCRIPTION

(71) Applicant: **Yieldmo Inc.**, New York, NY (US)
(72) Inventors: **Yiming Bao**, New York, NY (US); **Bo Wang**, Jersey City, NJ (US); **David Goligorsky**, New York, NY (US)
(73) Assignee: **Yieldmo, Inc.**, New York, NY (US)
(**) Term: **15 Years**
(21) Appl. No.: **29/557,544**
(22) Filed: **Mar. 9, 2016**
(51) **LOC (10) Cl.** **14-04**
(52) **U.S. Cl.**
USPC **D14/485**
(58) **Field of Classification Search**
USPC D14/485-488
CPC G06T 13/00; G06T 13/80; G06F 3/04845
See application file for complete search history.

(56) **References Cited**

U.S. PATENT DOCUMENTS

D598,460 S *	8/2009	Hirsch	D14/485
D598,928 S *	8/2009	Hirsch	D14/485
D633,920 S *	3/2011	Luke	D14/486
D663,313 S *	7/2012	David	D14/487
D663,741 S *	7/2012	Cielak	D14/488
D688,676 S *	8/2013	Okumura	D14/486
D699,258 S *	2/2014	Jong	D14/486

(Continued)

Primary Examiner — Richelle G Shelton

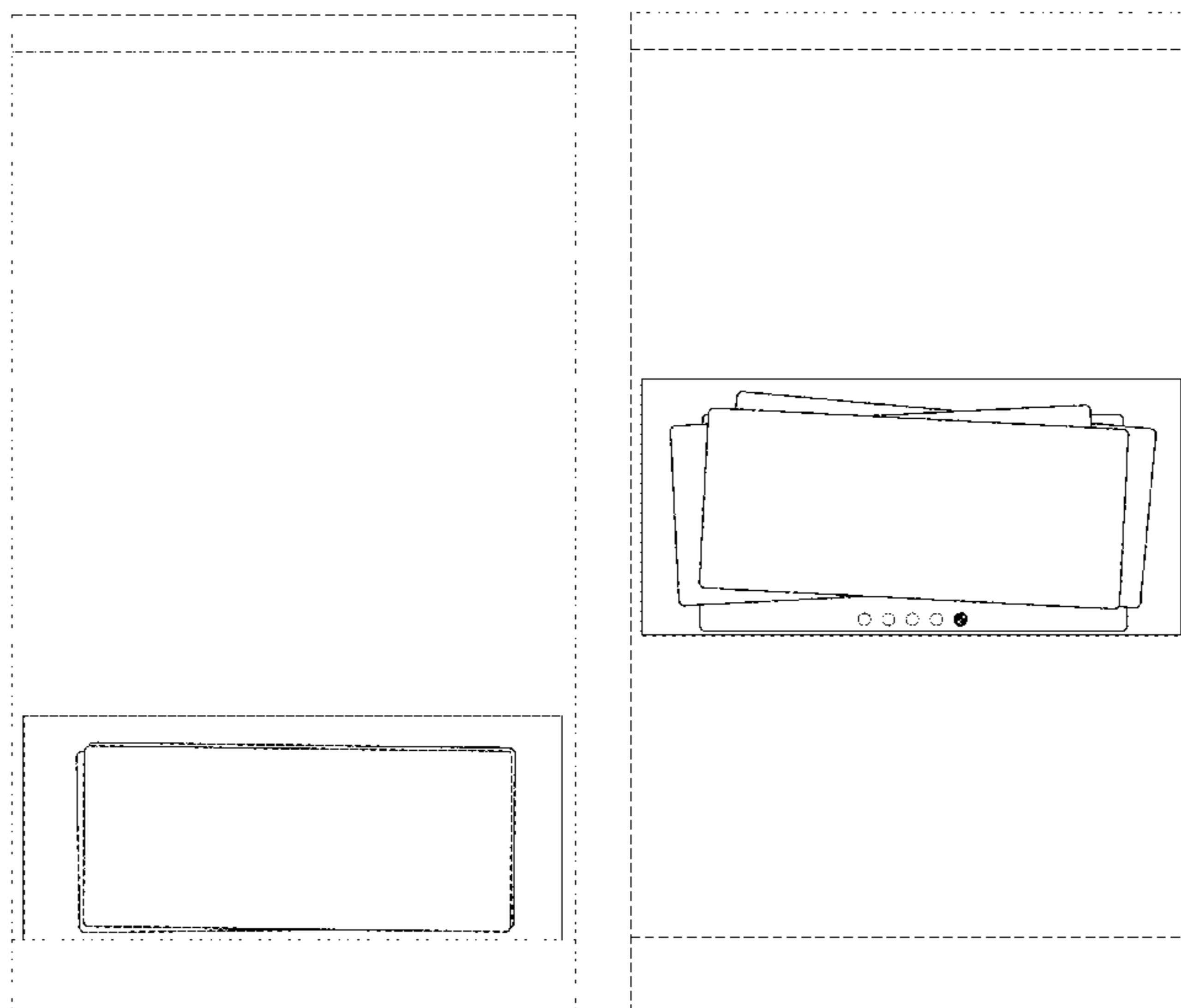
(74) *Attorney, Agent, or Firm* — Run8 Patent Group, LLC; Peter Miller

(57) **CLAIM**

The ornamental design for a display screen or portion thereof with animated graphical user interface, as shown and described.

FIG. 1 is a front portrait view of a display screen or portion thereof with an animated graphical user interface showing a first image in the sequence showing the new design; FIG. 2 is a second image thereof; FIG. 3 is a third image thereof; FIG. 4 is a fourth image thereof; FIG. 5 is a fifth image thereof; FIG. 6 is a sixth image thereof; FIG. 7 is a front portrait view of a display screen or portion thereof with animated graphical user interface showing a fourth image in the sequence of a second embodiment of our design; FIG. 8 is a fifth image thereof; FIG. 9 is a sixth image thereof; FIG. 10 is a front portrait view of a display screen or portion thereof with animated graphical user interface showing a fourth image in the sequence of a third embodiment of our design; FIG. 11 is a fifth image thereof; FIG. 12 is a sixth image thereof; FIG. 13 is a front portrait view of a display screen or portion thereof with animated graphical user interface showing a fourth image in the sequence of a fourth embodiment of our design; FIG. 14 is a fifth image thereof; and, FIG. 15 is a sixth image thereof. The broken line showing of a display screen or portion thereof and the remainder of the graphical user interface forms no part of the claimed design. The appearance of the animated images sequentially transitions between the images shown in Embodiment 1, FIGS. 1-6; Embodiment 2, FIGS. 1-3, 7-9; Embodiment 3, FIGS. 1-3, 10-12; and Embodiment 4, FIGS. 1-3, 13-15. The process or period in which one image transitions to another forms no part of the claimed design.

1 Claim, 15 Drawing Sheets



(56)

References Cited

U.S. PATENT DOCUMENTS

D700,202 S *	2/2014	Kim	D14/486
D733,757 S *	7/2015	Kim	D14/493
D737,297 S *	8/2015	Moon	D14/486
D752,645 S *	3/2016	Lee	D14/494
D759,666 S *	6/2016	Kuhn	D14/485
2008/0168478 A1 *	7/2008	Platzer	G06F 3/04845 719/328

* cited by examiner

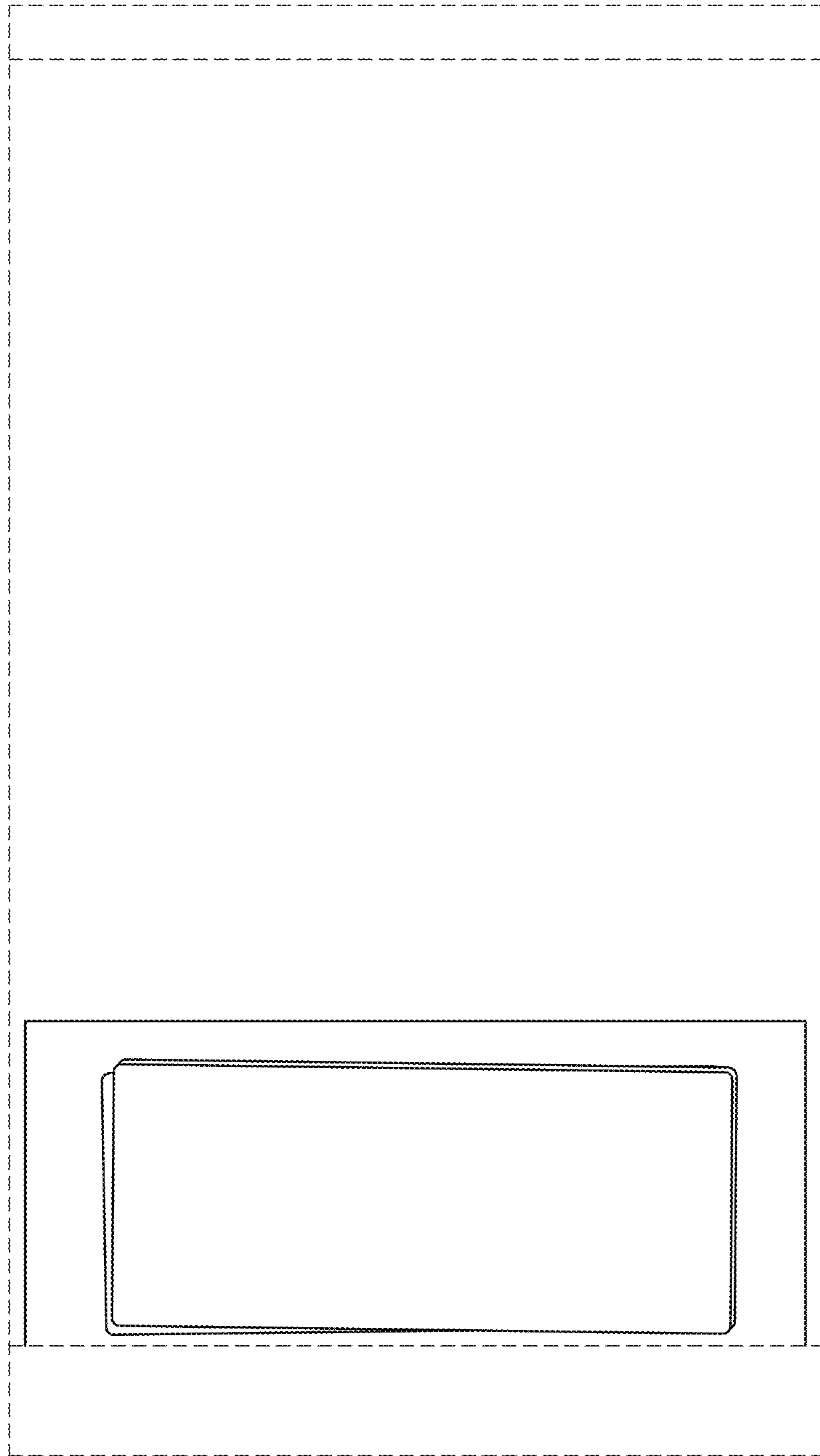


FIG. 1

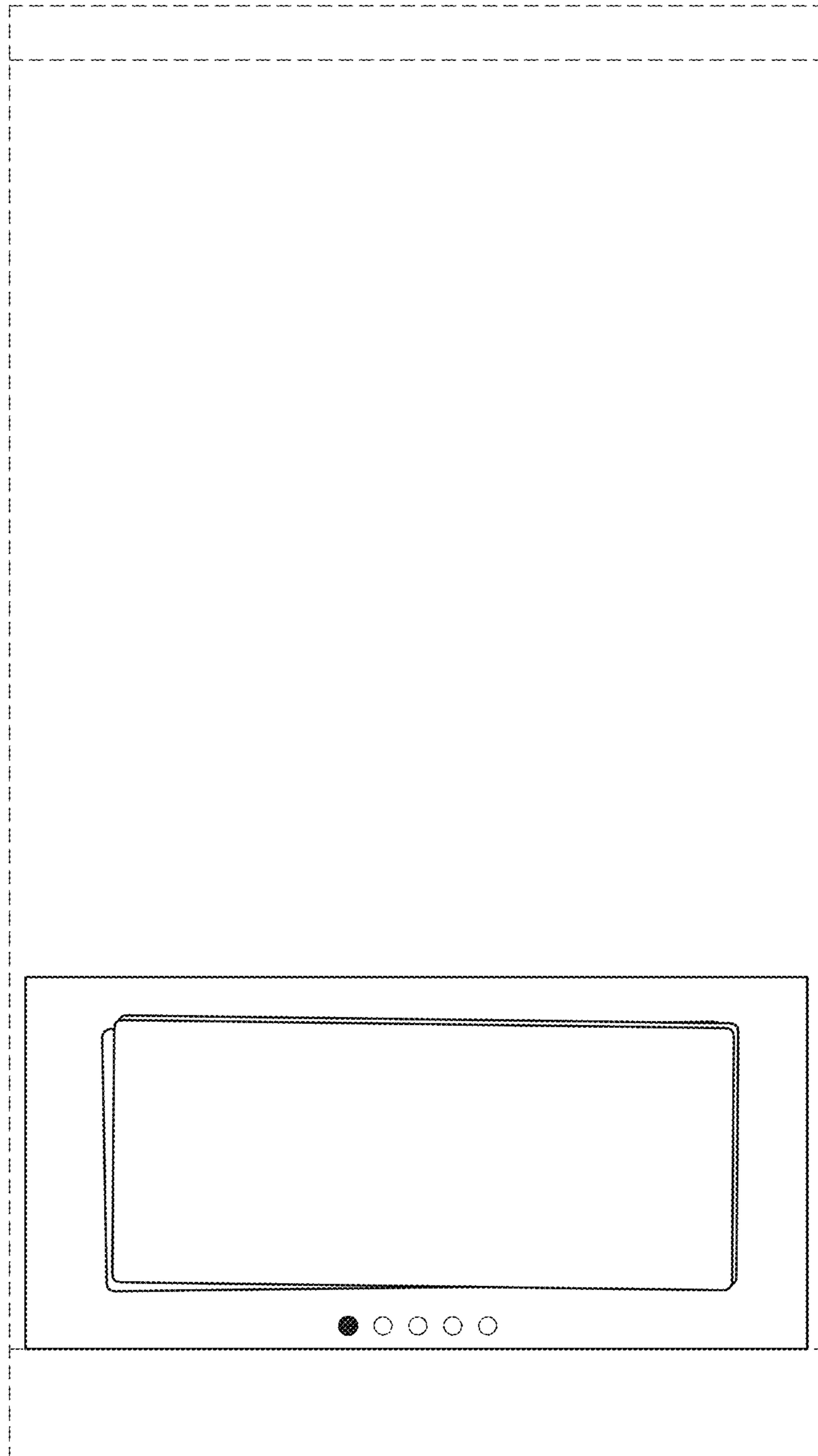


FIG. 2

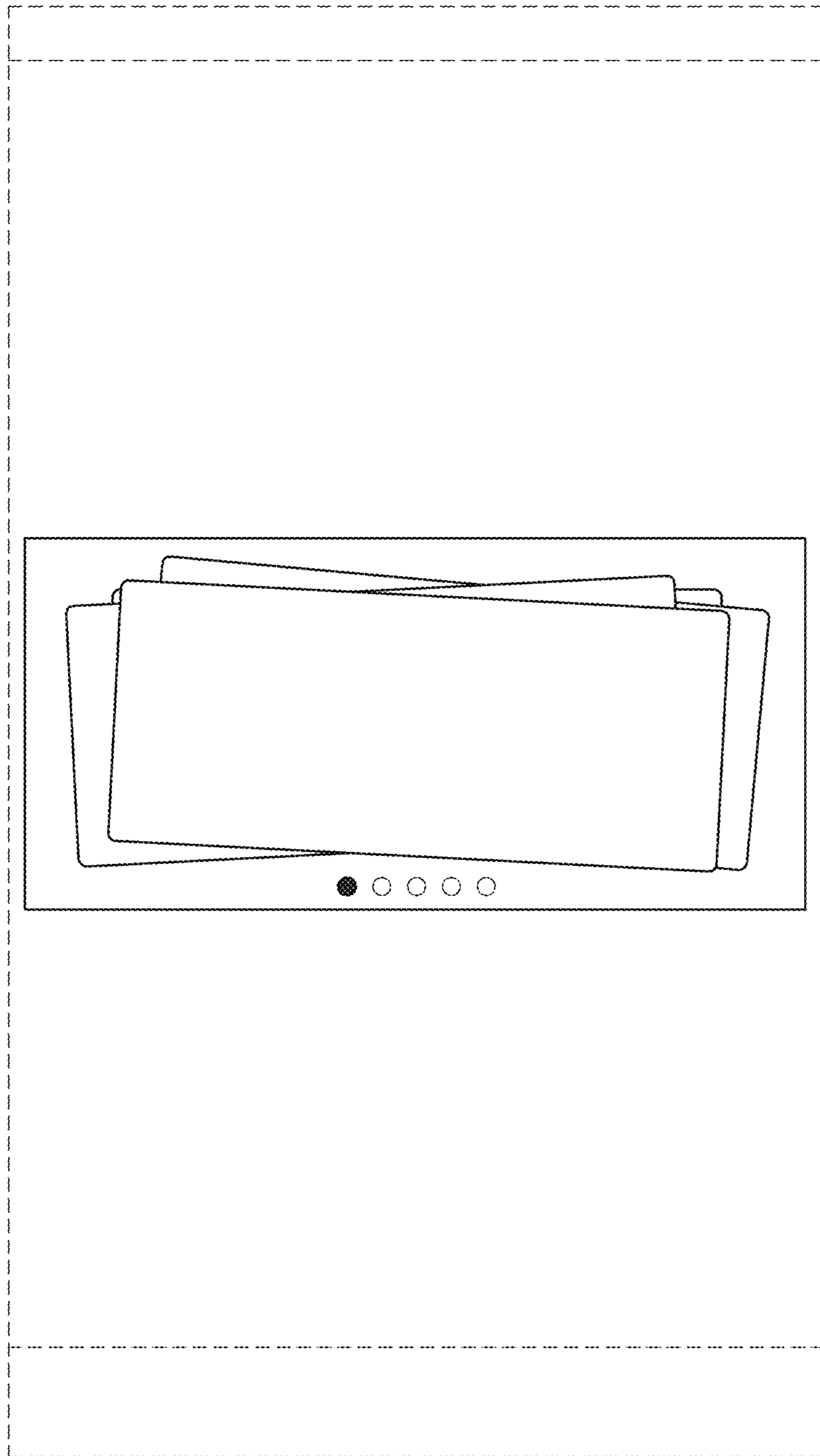


FIG. 3

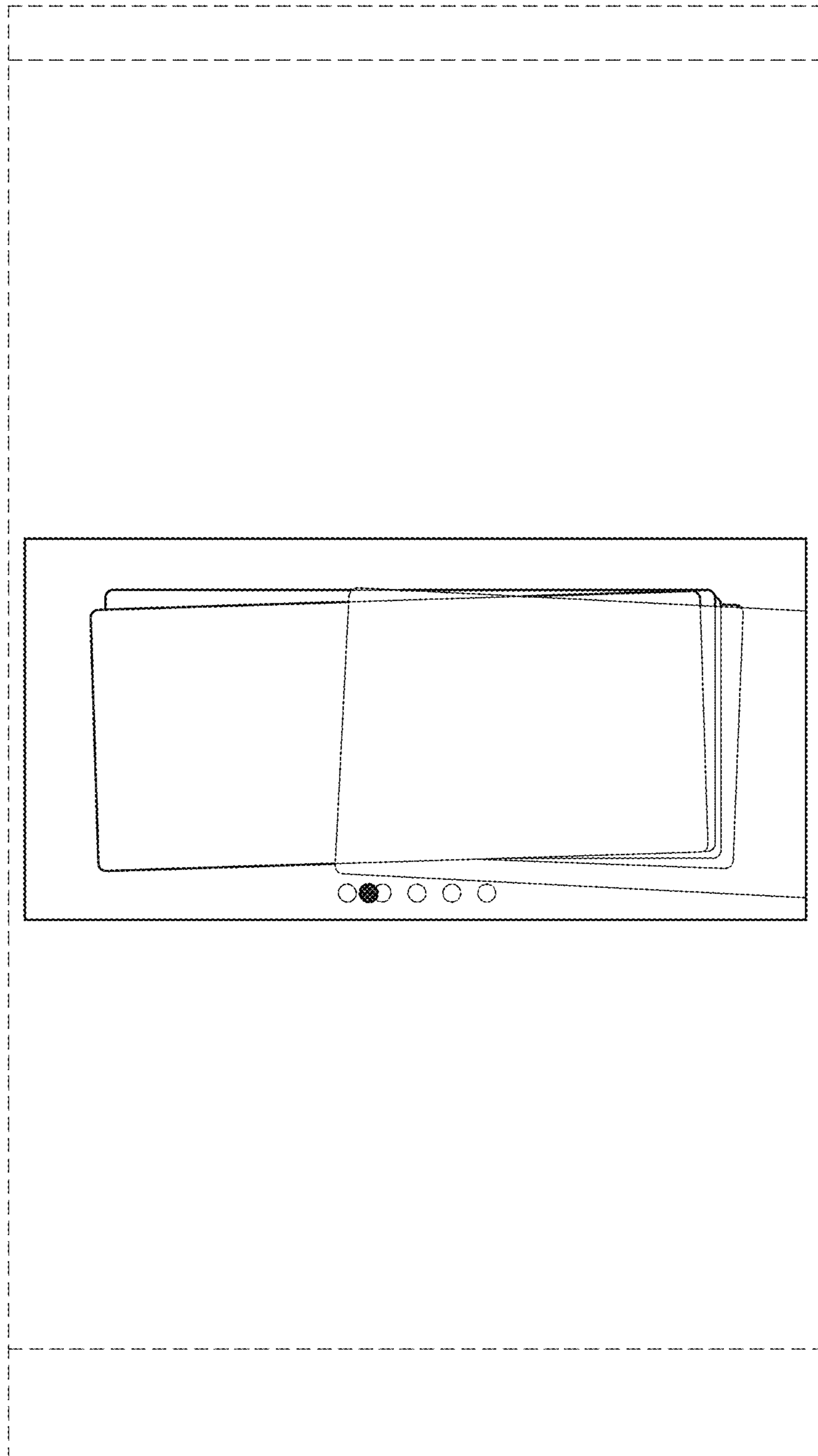


FIG. 4

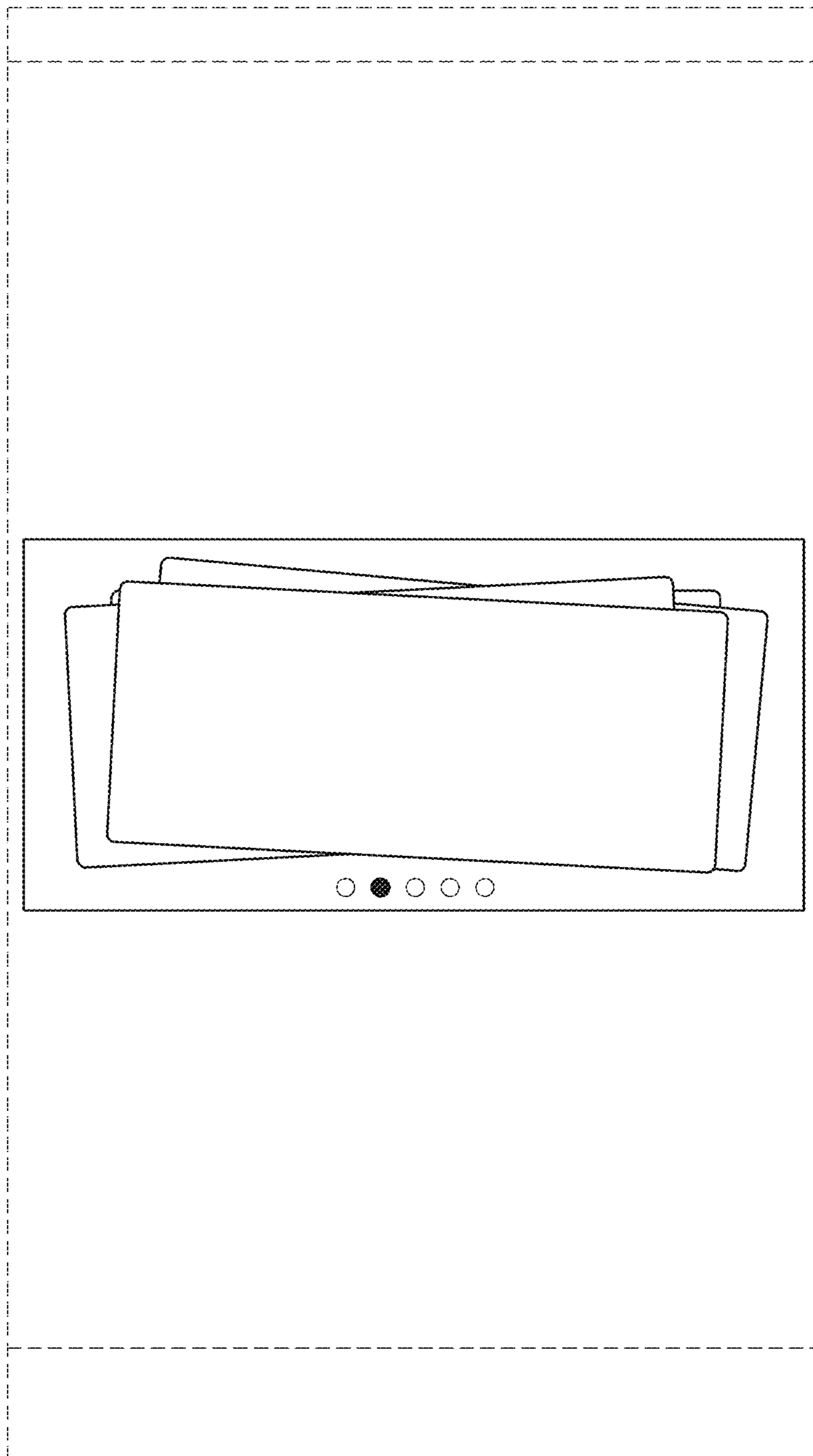


FIG. 5

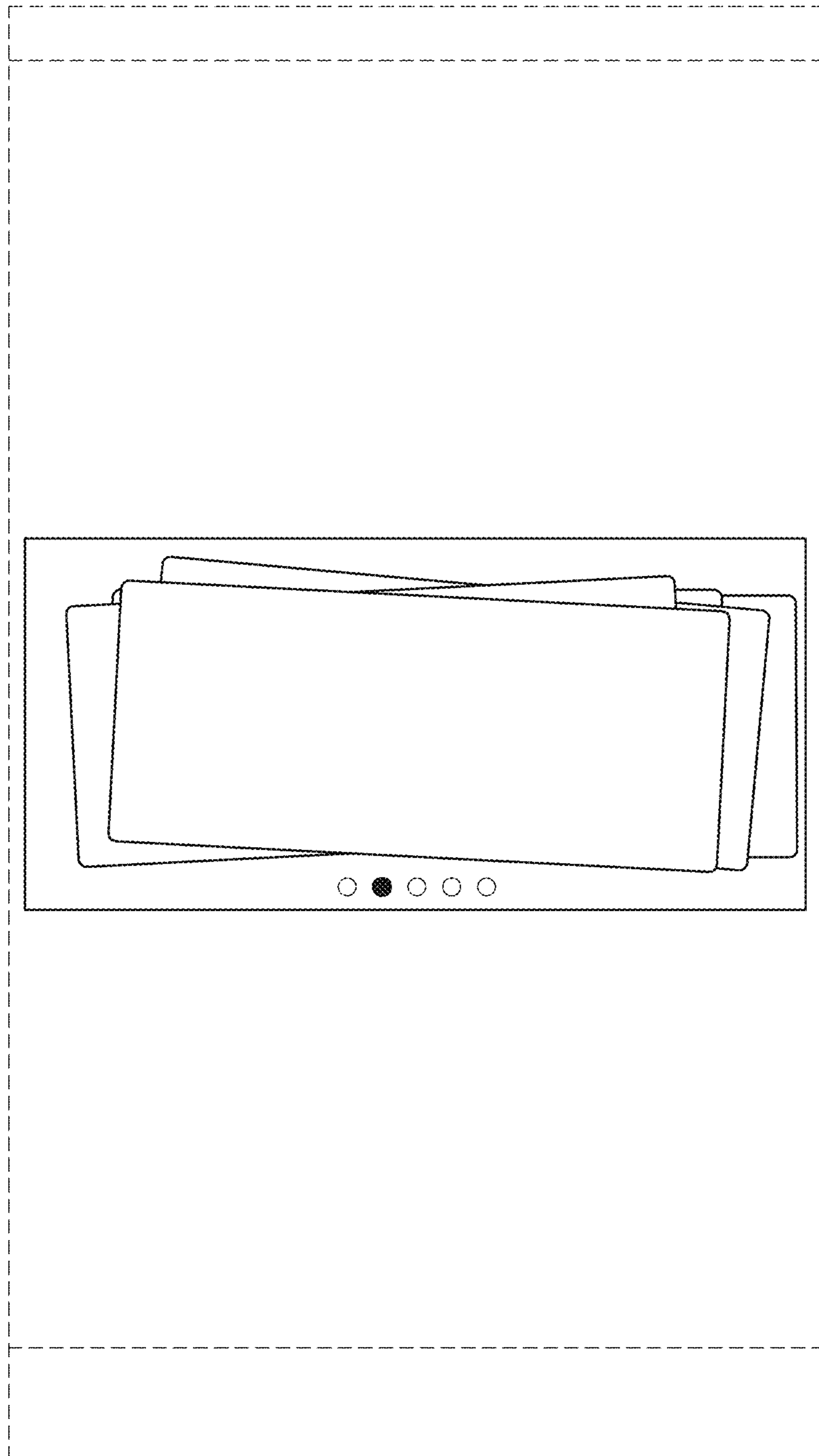


FIG. 6

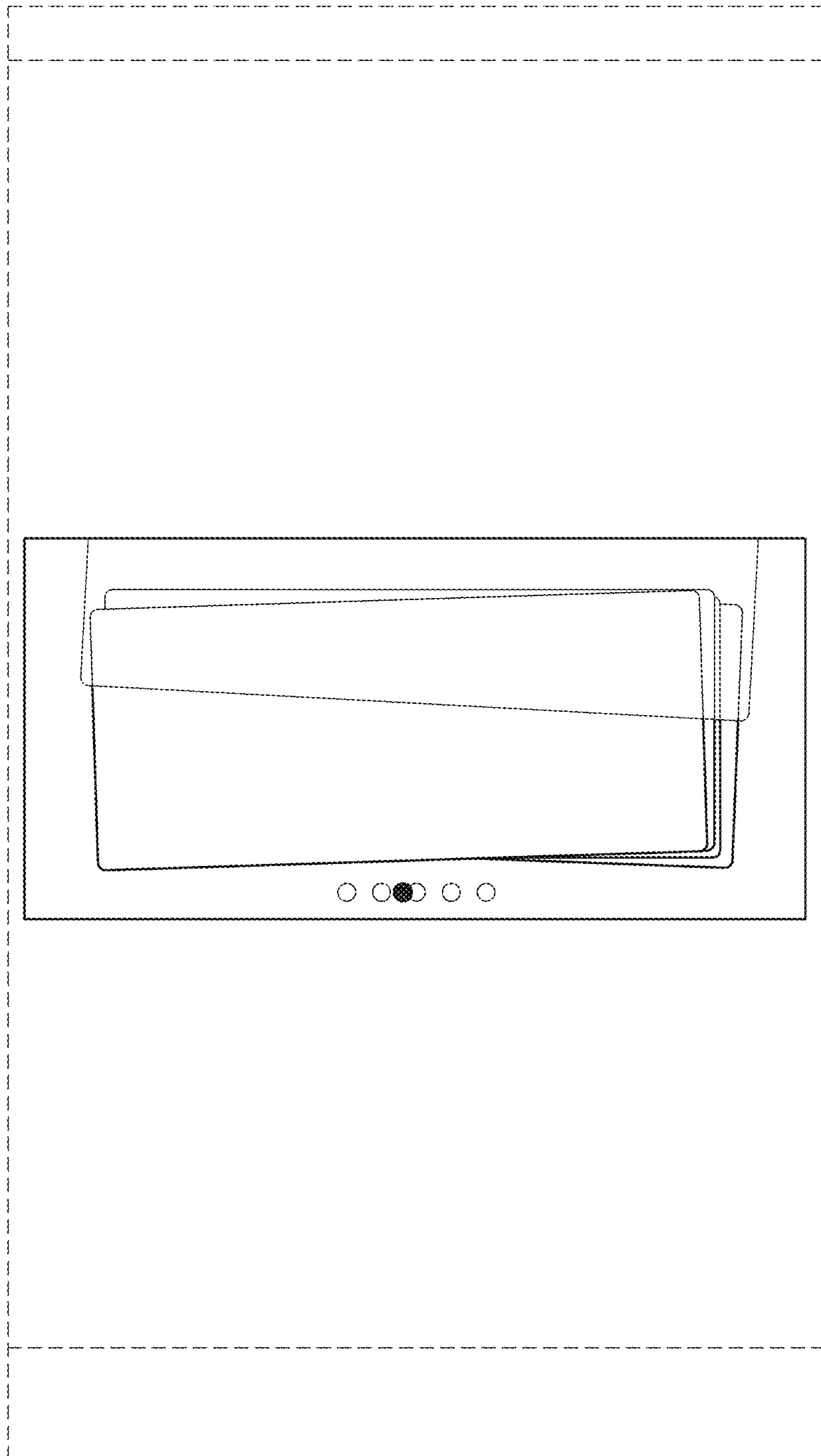


FIG. 7

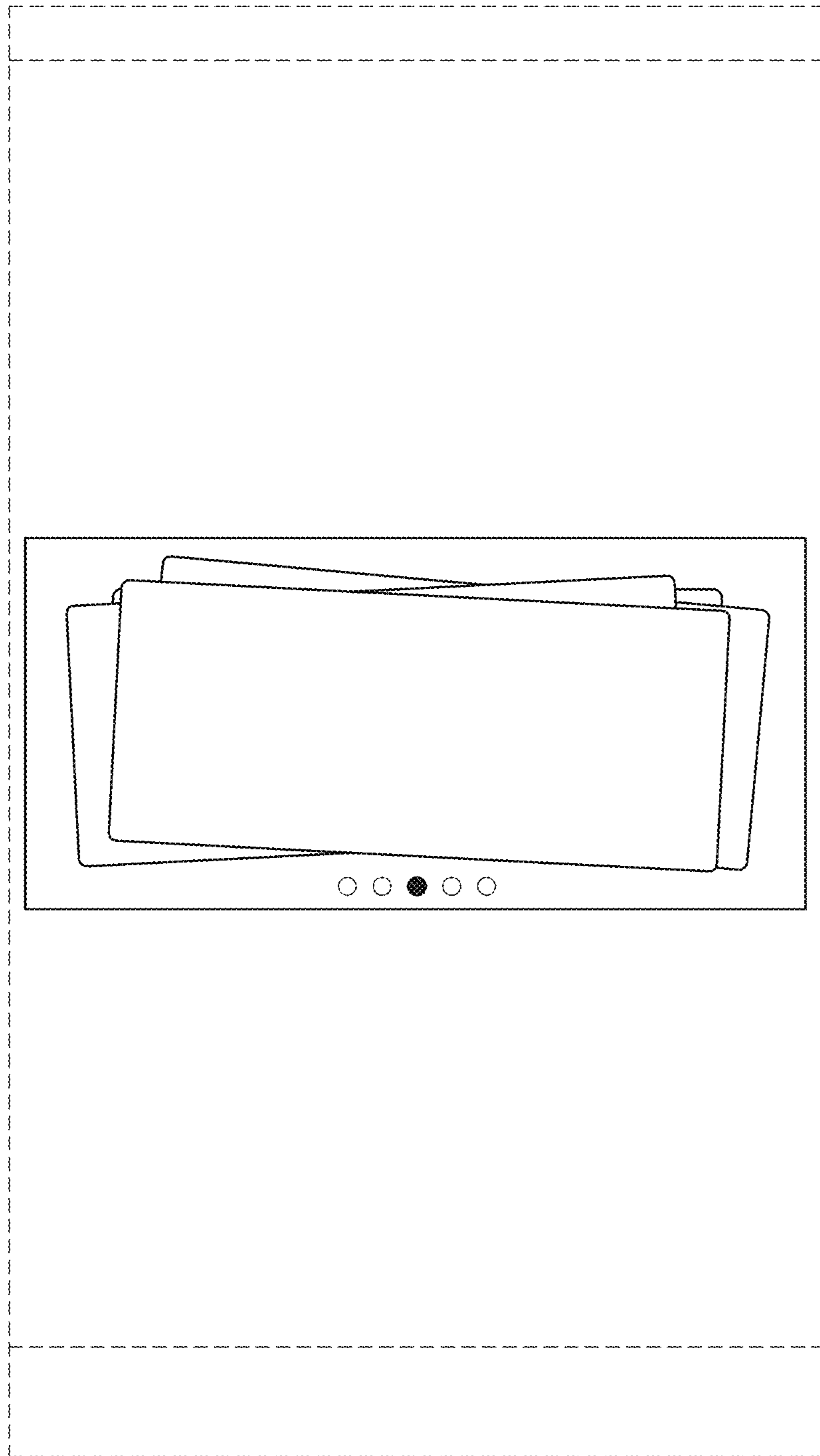


FIG. 8

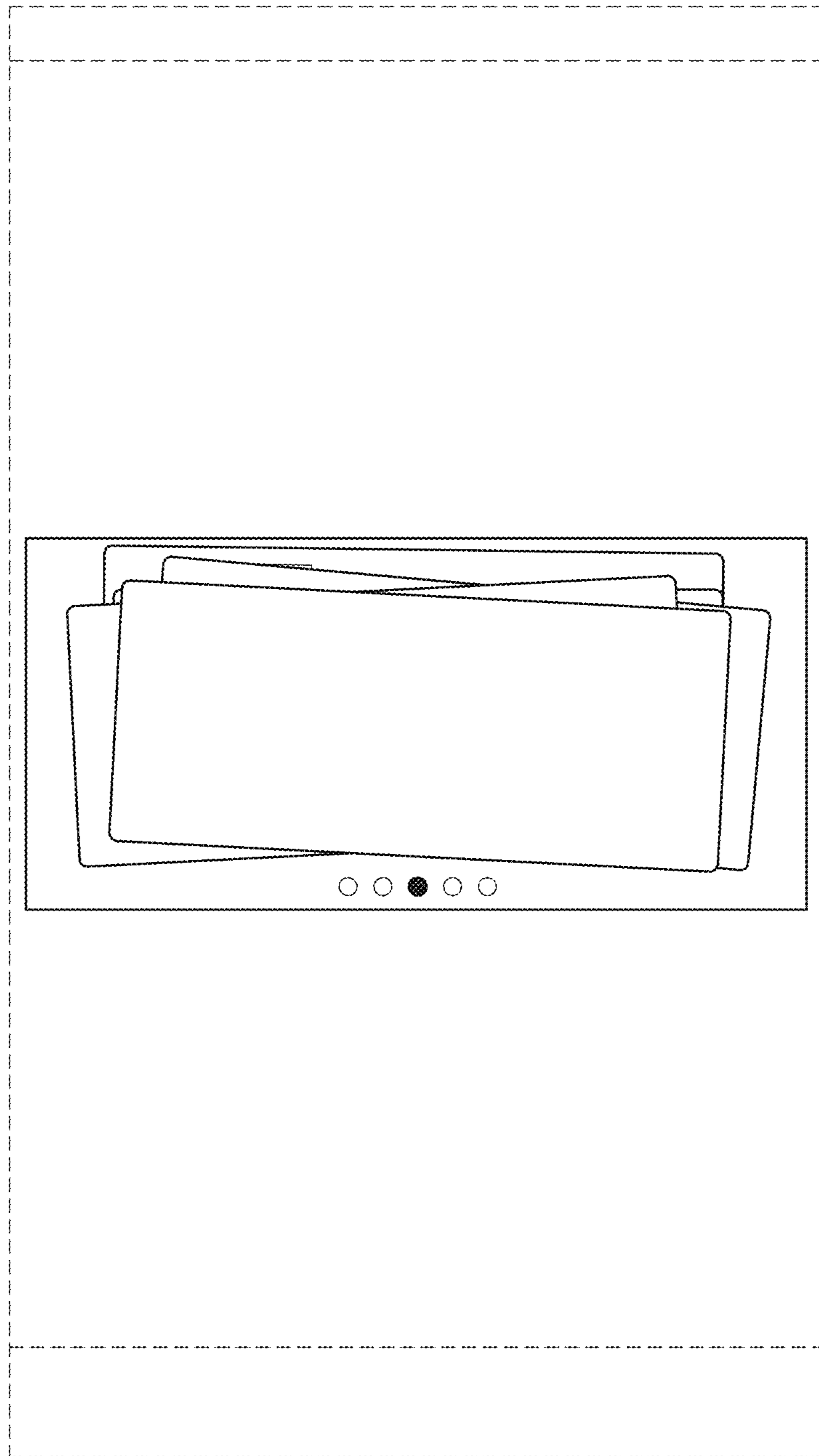


FIG. 9

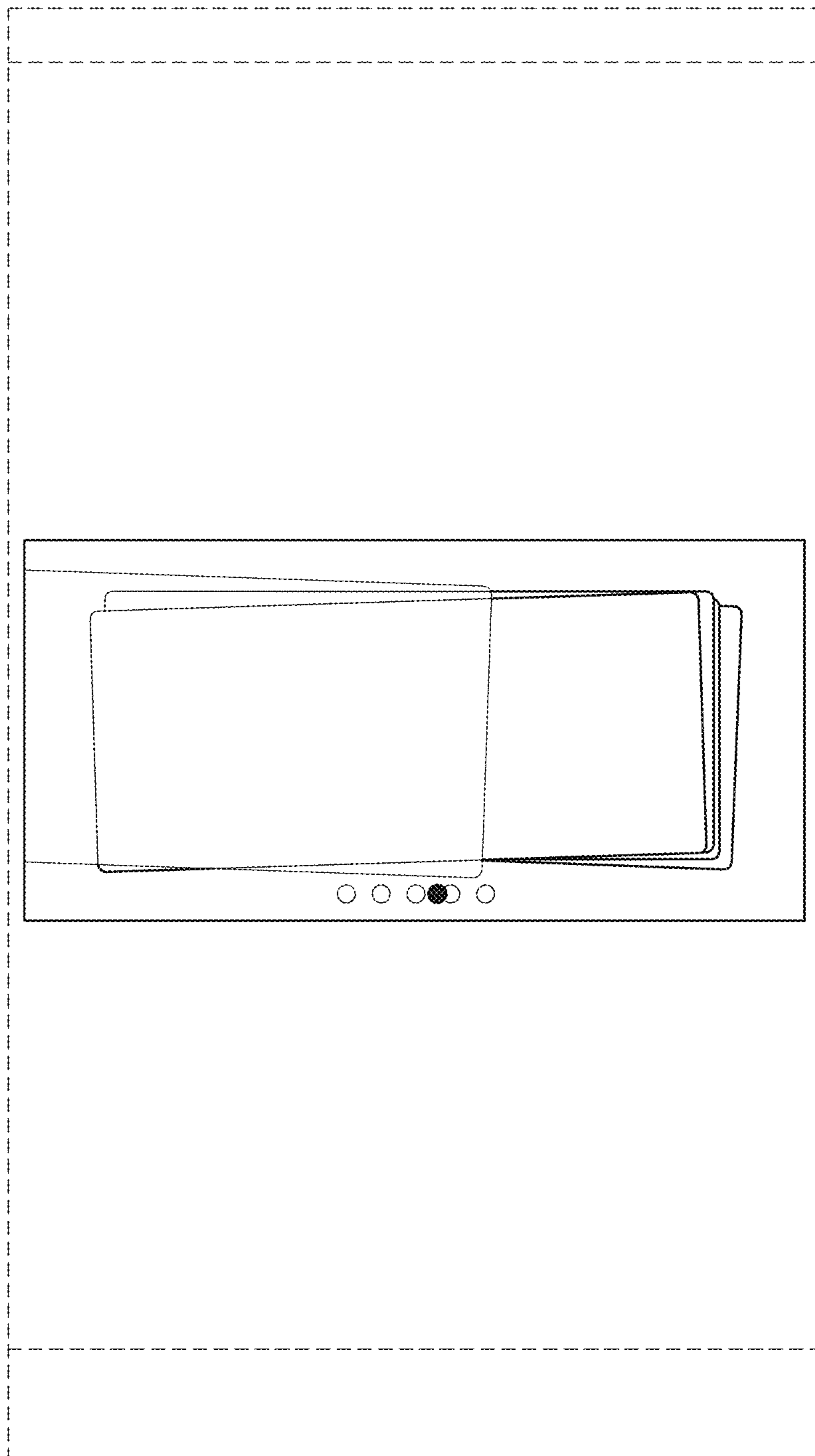


FIG. 10

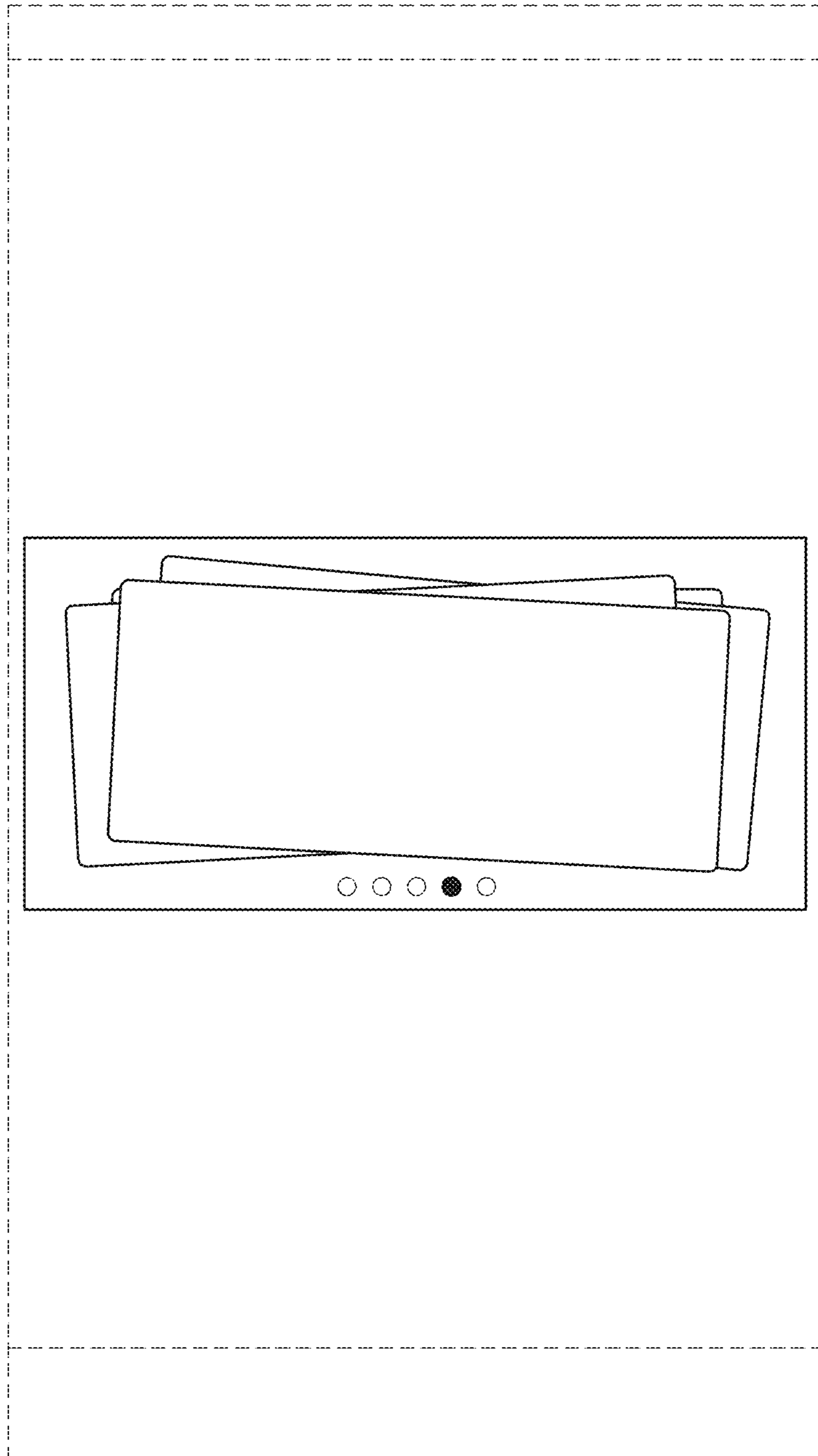


FIG. 11

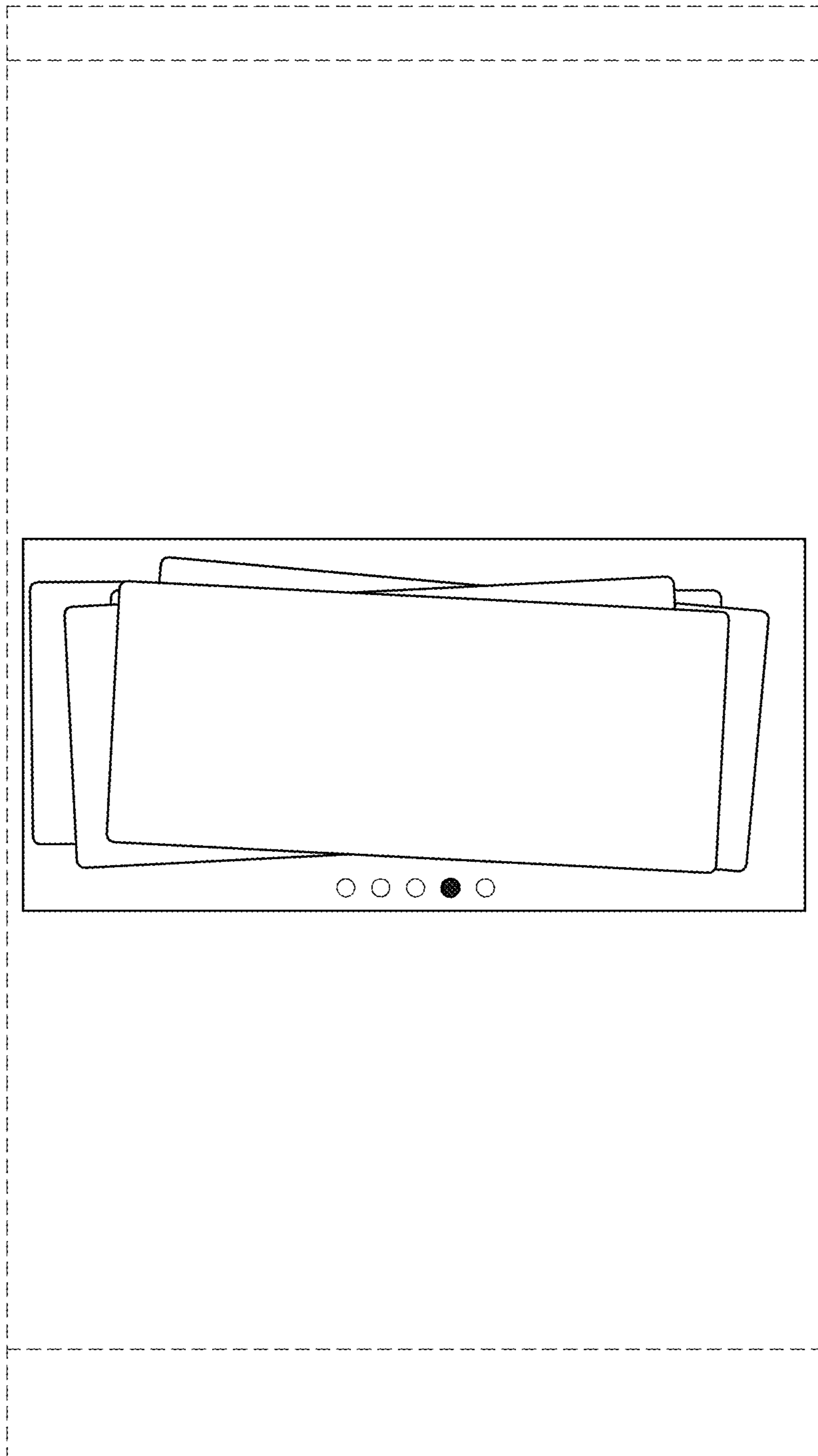


FIG. 12

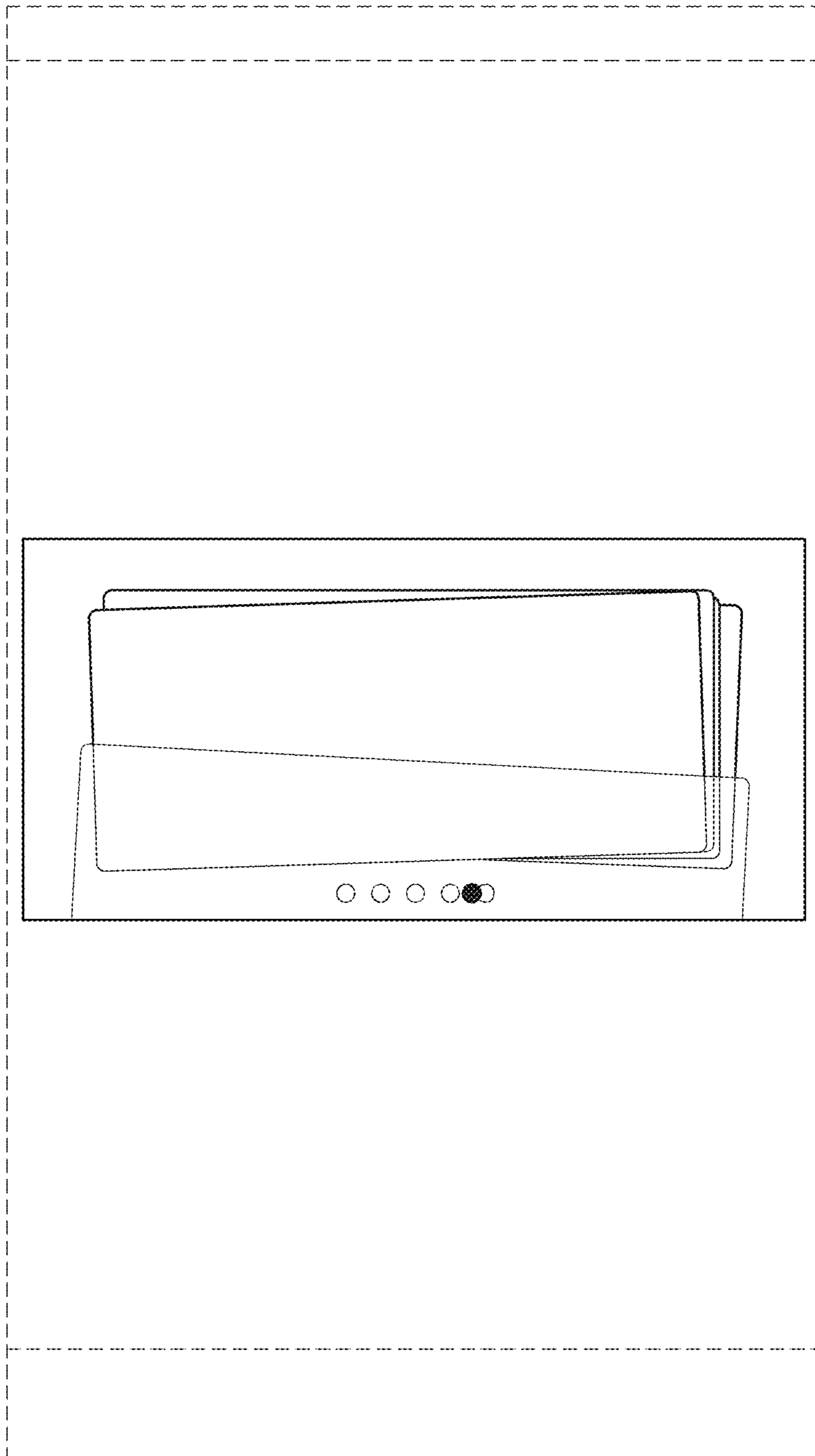


FIG. 13

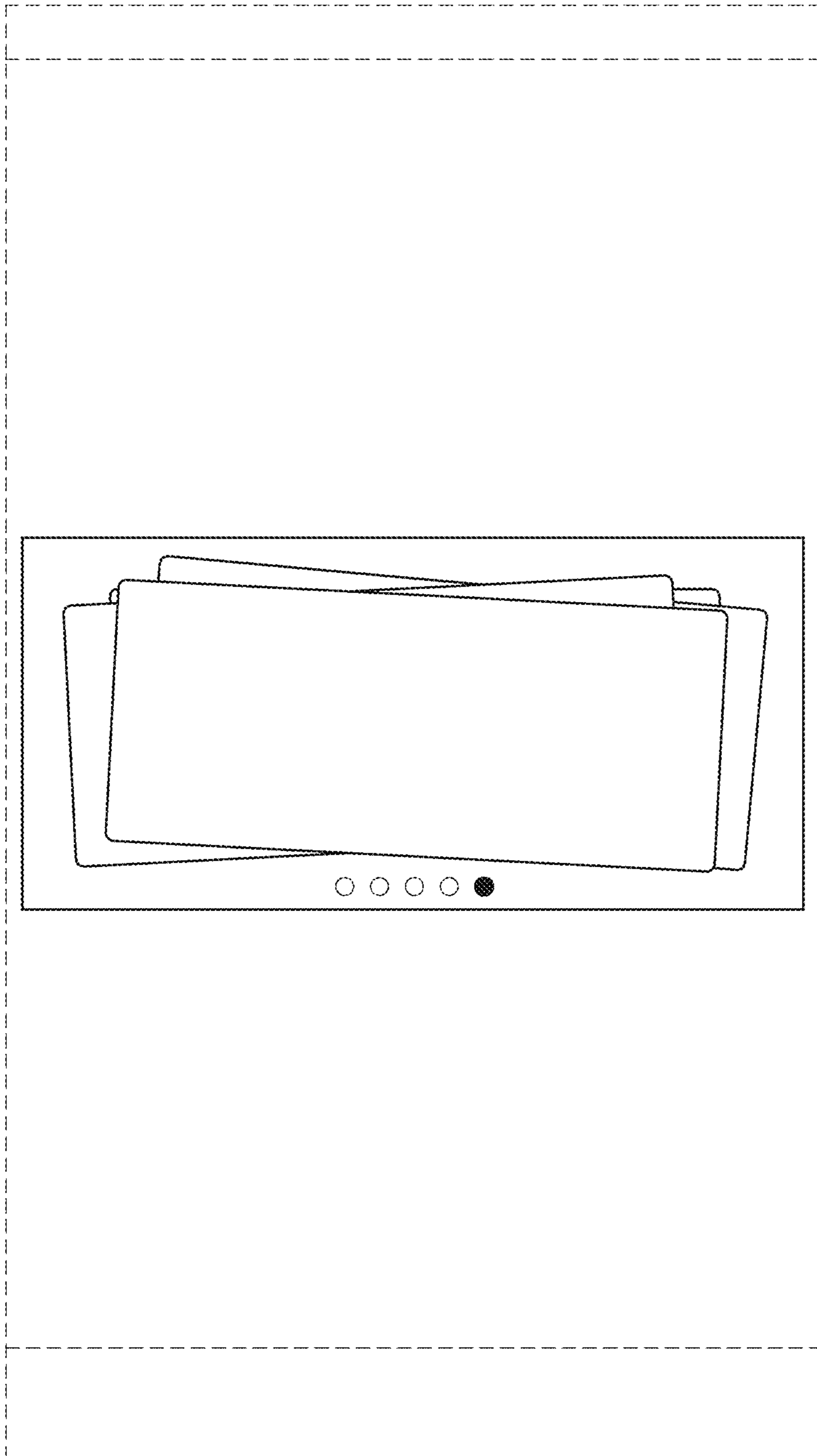


FIG. 14

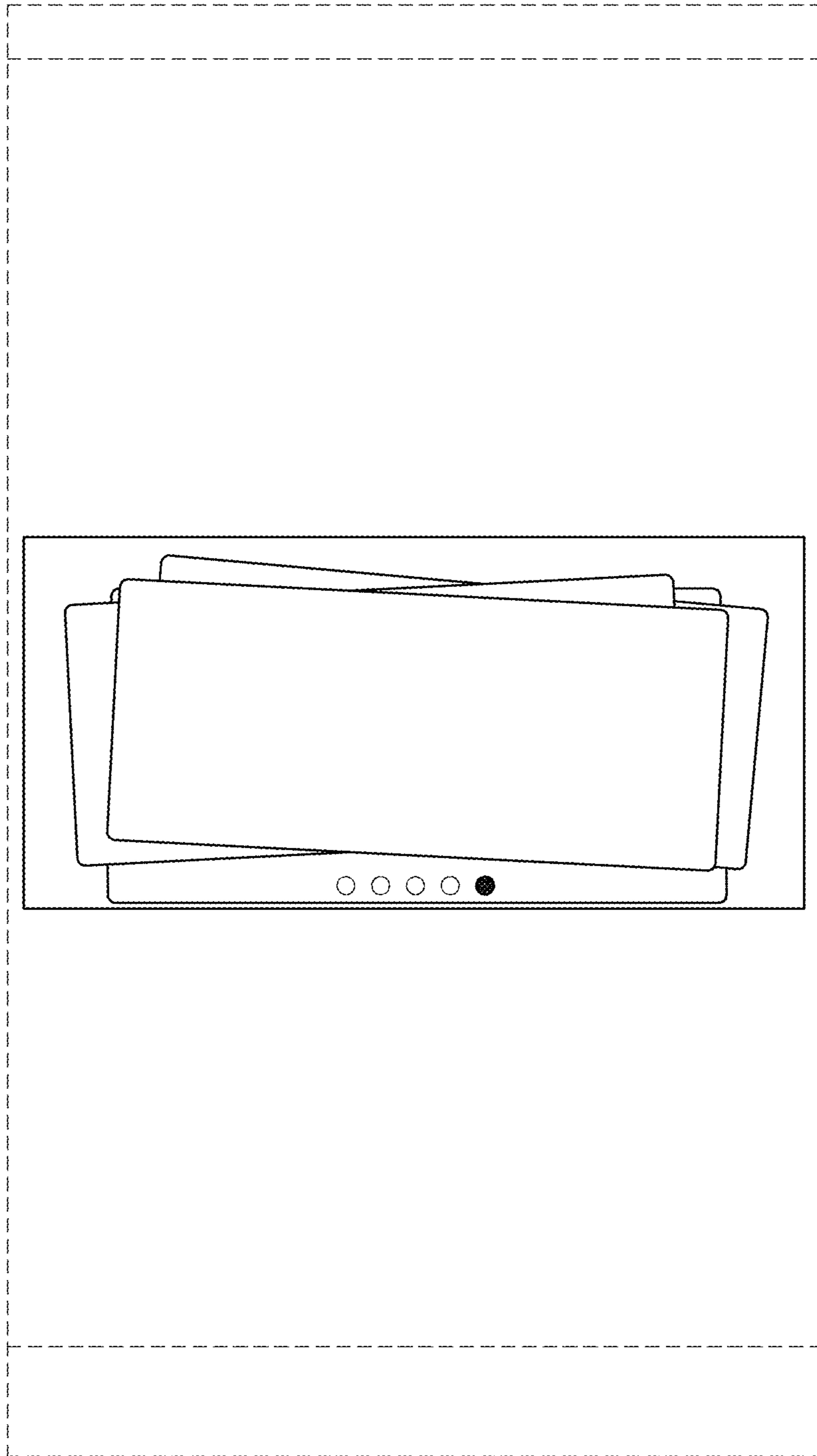


FIG. 15