



US00D785638S

(12) **United States Design Patent** (10) **Patent No.:** **US D785,638 S**
Hsu (45) **Date of Patent:** **** May 2, 2017**

(54) **HAND-HELD COMPUTING DEVICE AND OPTICAL UNIT ADAPTOR**

(71) Applicant: **EYE2MOBILE, LLC**, Elk Grove, CA (US)

(72) Inventor: **Jim Borland Hsu**, Elk Grove, CA (US)

(73) Assignee: **EYE2MOBILE, LLC**, Elk Grove, CA (US)

(**) Term: **15 Years**

(21) Appl. No.: **29/568,000**

(22) Filed: **Jun. 14, 2016**

(51) **LOC (10) Cl.** **08-07**

(52) **U.S. Cl.**
USPC **D14/447**

(58) **Field of Classification Search**
USPC D14/447, 432, 434, 439, 440, 451, 452, D14/457, 239; D12/415; D6/406.3,
(Continued)

(56) **References Cited**

U.S. PATENT DOCUMENTS

D630,222 S * 1/2011 Lin D14/447
D646,674 S * 10/2011 Liao D14/253
(Continued)

Primary Examiner — Angela J Lee

(74) *Attorney, Agent, or Firm* — Edward J. Baba;
Bozicevic, Field & Francis LLP

(57) **CLAIM**

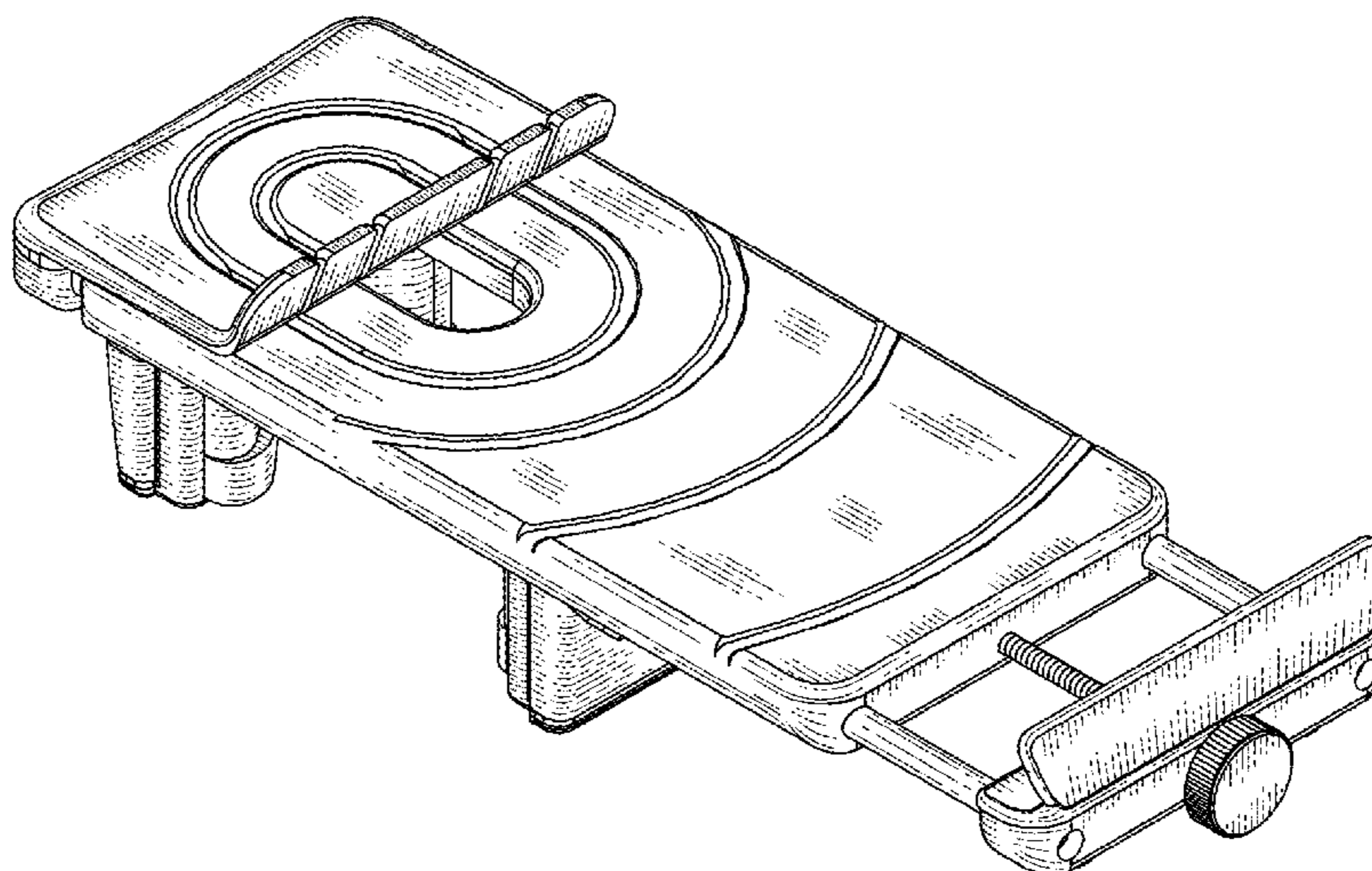
The ornamental design for the hand-held computing device and optical unit adaptor, as shown and described.

DESCRIPTION

FIG. 1 is a first top perspective view of a hand-held computing device and optical unit adaptor,

FIG. 2 is a second top perspective view of the hand-held computing device and optical unit adaptor,
FIG. 3 is a third top perspective view of the hand-held computing device and optical unit adaptor,
FIG. 4 is a fourth top perspective view of the hand-held computing device and optical unit adaptor,
FIG. 5 is a first bottom perspective view of the hand-held computing device and optical unit adaptor,
FIG. 6 is a second bottom perspective view of the hand-held computing device and optical unit adaptor,
FIG. 7 is a third bottom perspective view of the hand-held computing device and optical unit adaptor,
FIG. 8 is a fourth bottom perspective view of the hand-held computing device and optical unit adaptor,
FIG. 9 an exploded view of the first top perspective view of the hand-held computing device and optical unit adaptor as shown in FIG. 1,
FIG. 10 is an exploded view of the second top perspective view of the hand-held computing device and optical unit adaptor as shown in FIG. 2,
FIG. 11 is an exploded view of the third top perspective view of the hand-held computing device and optical unit adaptor as shown in FIG. 3,
FIG. 12 is an exploded view of the fourth top perspective view of the hand-held computing device and optical unit adaptor as shown in FIG. 4,
FIG. 13 an exploded view of the first bottom perspective view of the hand-held computing device and optical unit adaptor as shown in FIG. 5,
FIG. 14 is an exploded view of the second bottom perspective view of the hand-held computing device and optical unit adaptor as shown in FIG. 6,
FIG. 15 is an exploded view of the third bottom perspective view of the hand-held computing device and optical unit adaptor as shown in FIG. 7; and,
FIG. 16 is an exploded view of the fourth bottom perspective view of the hand-held computing device and optical unit adaptor as shown in FIG. 8.

1 Claim, 16 Drawing Sheets



(58) **Field of Classification Search**

USPC D6/406.4, 406.5, 406.6; D8/363, 373,
D8/380

CPC A47B 21/04; A47B 2097/006; A47B
2097/005; A47B 2023/049; A45C
2011/002; A45C 2011/003; F16M
2200/00; F16M 13/00

See application file for complete search history.

(56) **References Cited**

U.S. PATENT DOCUMENTS

| | | | | |
|--------------|---------|---------|-------|---------|
| D685,804 S * | 7/2013 | Richter | | D14/253 |
| D717,307 S * | 11/2014 | Chun | | D14/447 |
| D733,548 S * | 7/2015 | Brown | | D14/447 |
| D741,146 S * | 10/2015 | Delrue | | D14/447 |
| D744,473 S * | 12/2015 | Tsai | | D14/251 |
| D748,099 S * | 1/2016 | Heid | | D14/447 |
| D750,612 S * | 3/2016 | Chen | | D14/253 |
| D753,126 S * | 4/2016 | Alesi | | D14/447 |
| D765,646 S * | 9/2016 | Deng | | D12/415 |
| D766,908 S * | 9/2016 | Richter | | D14/447 |
| D771,635 S * | 11/2016 | Kuo | | D14/434 |

* cited by examiner

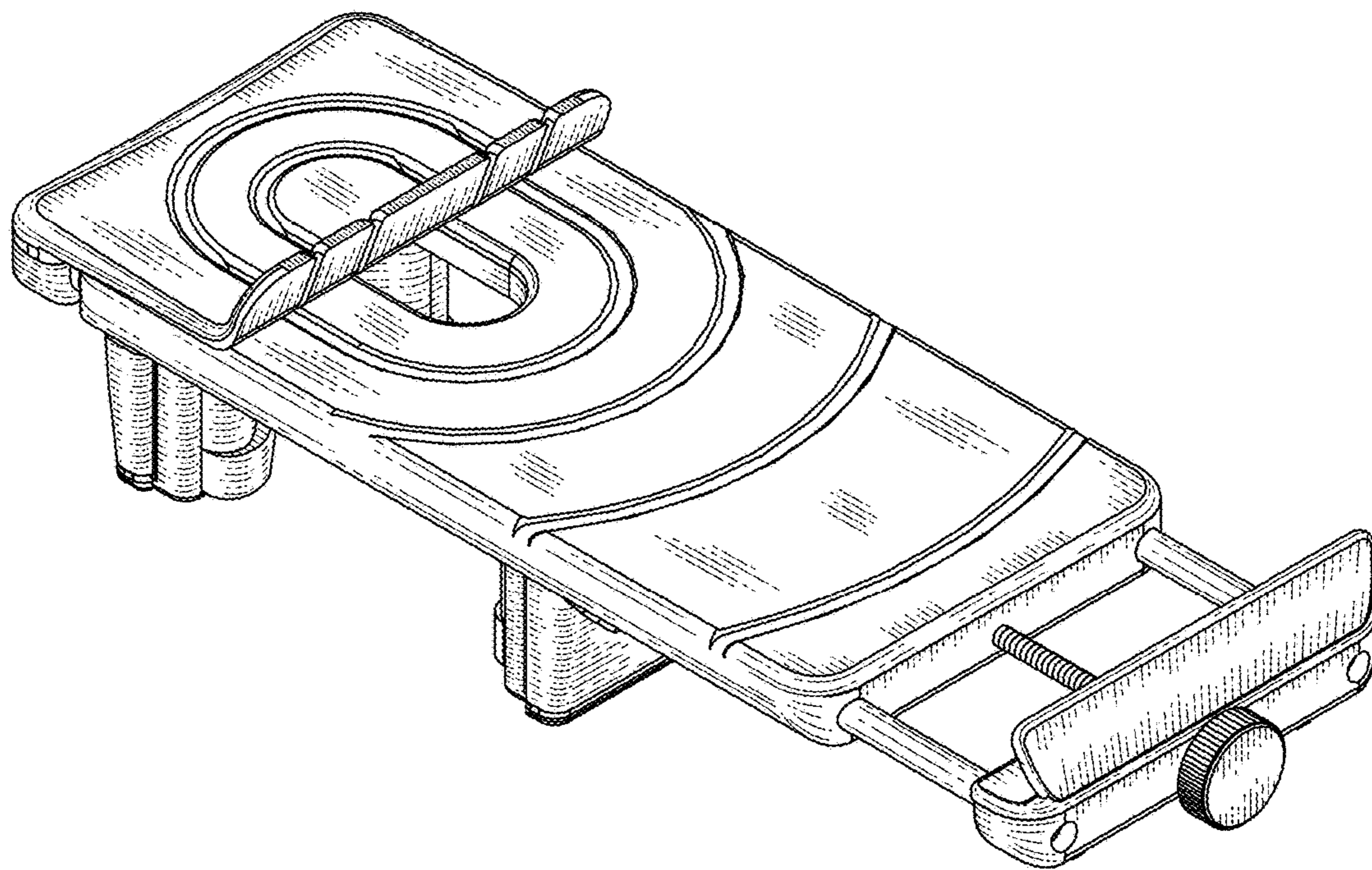


FIG. 1

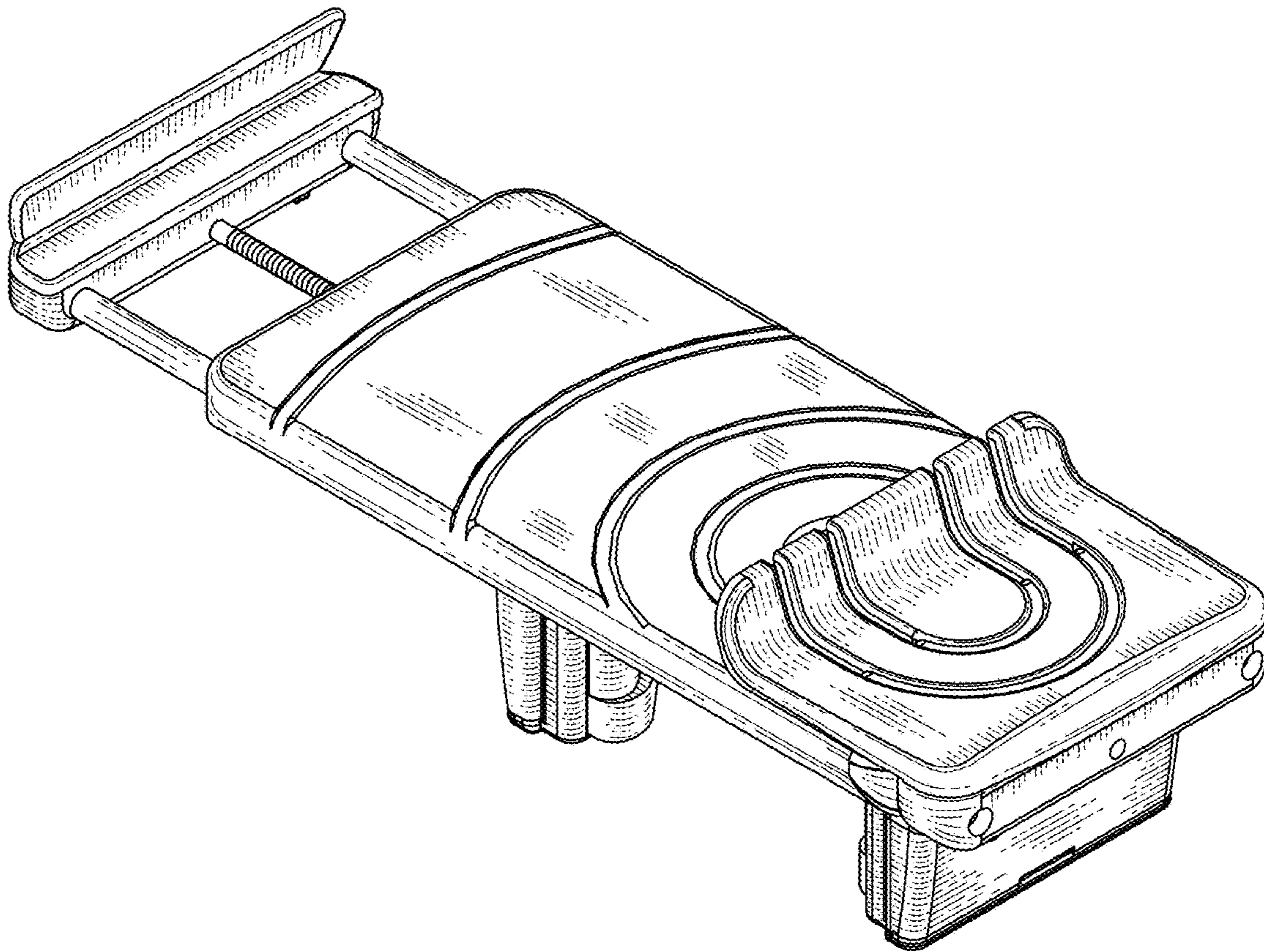


FIG. 2

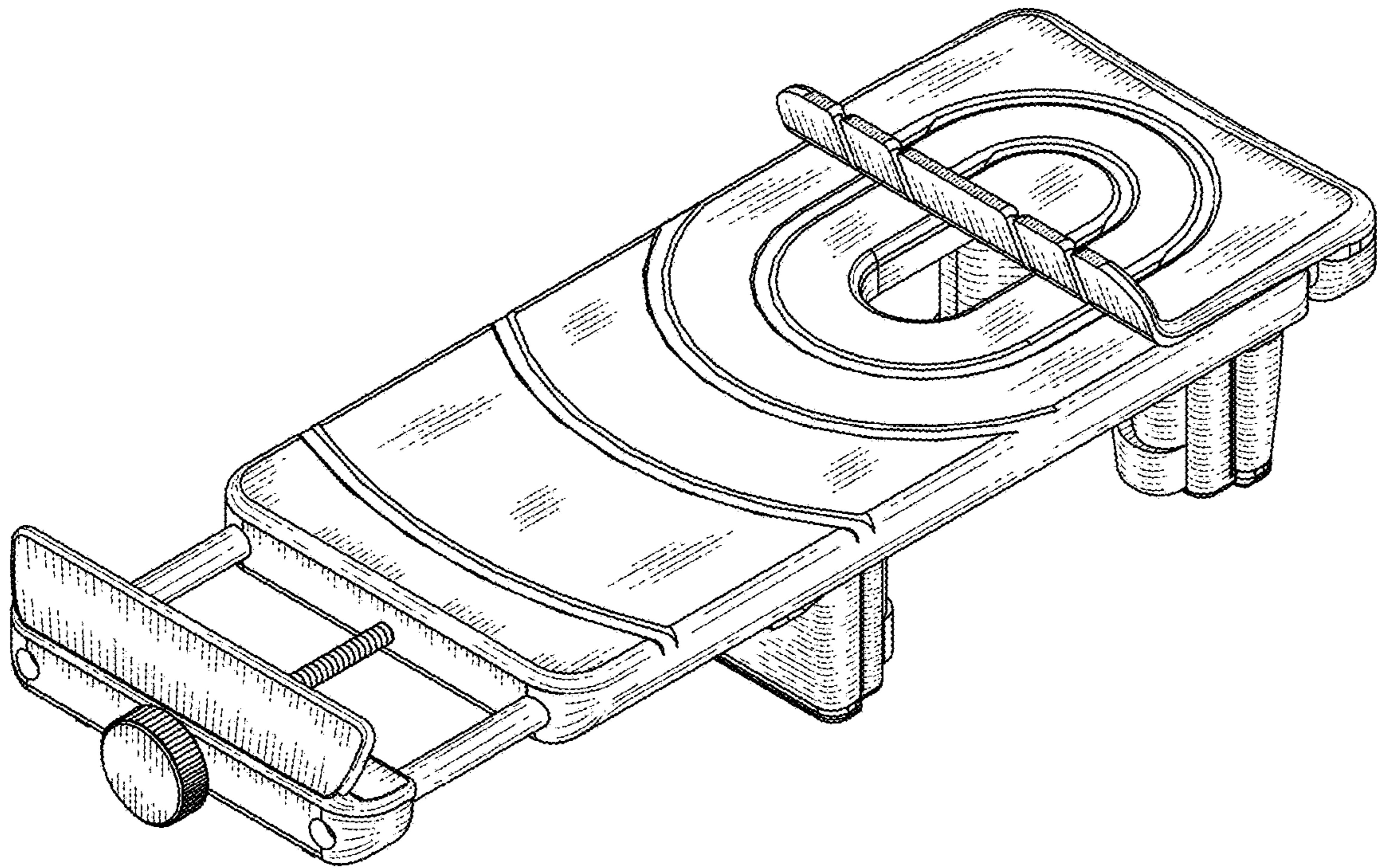


FIG. 3

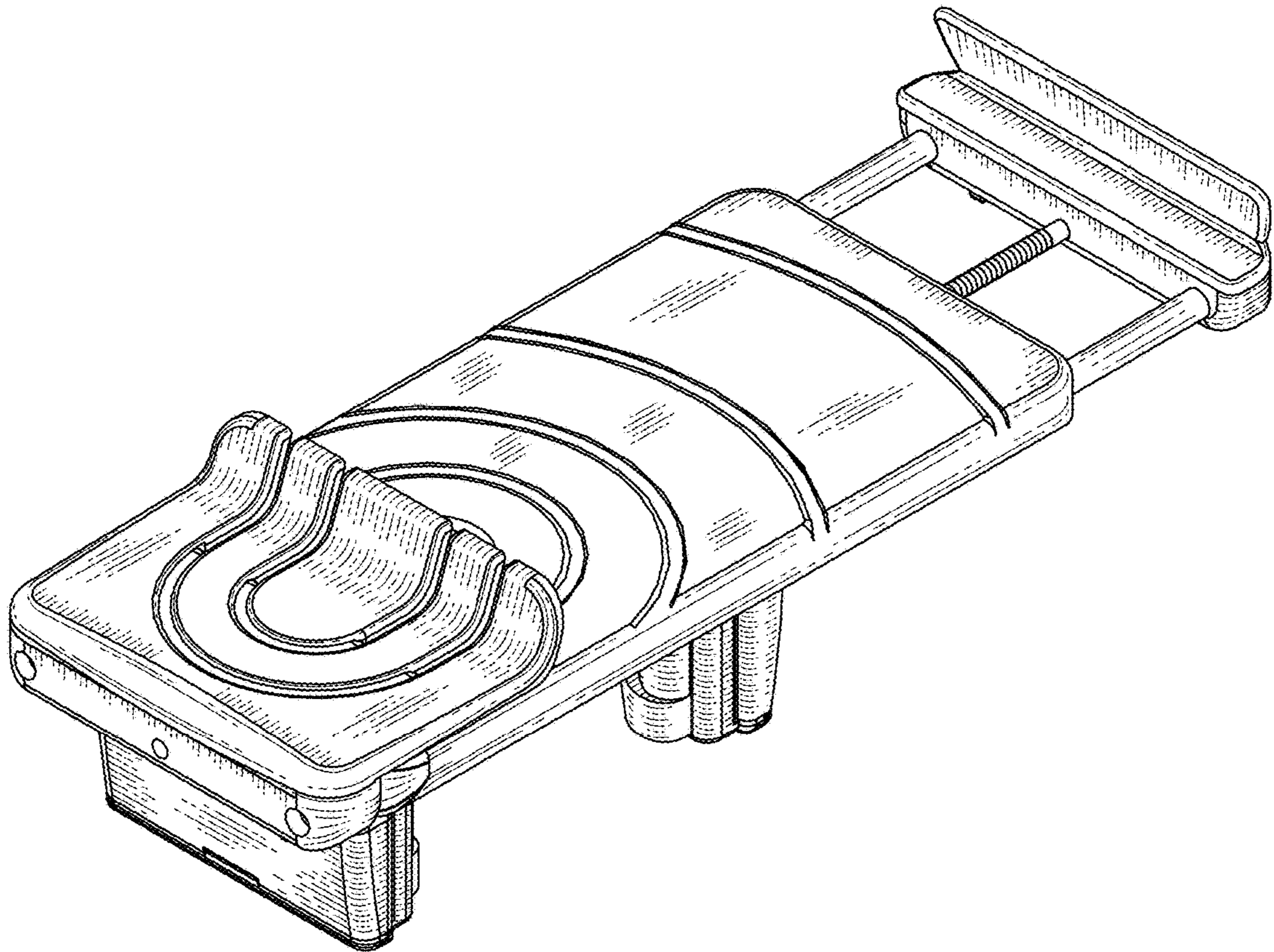


FIG. 4

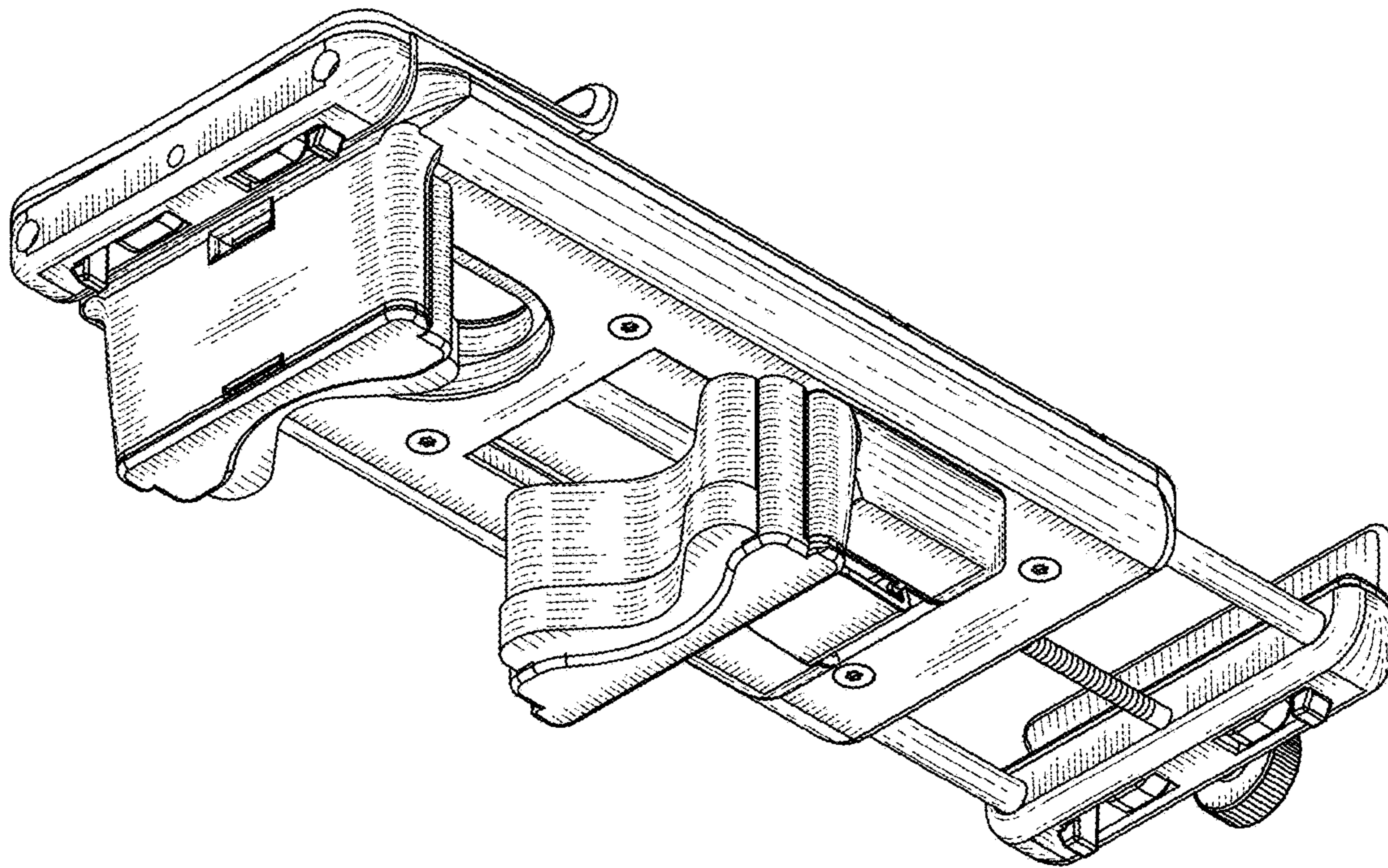


FIG. 5

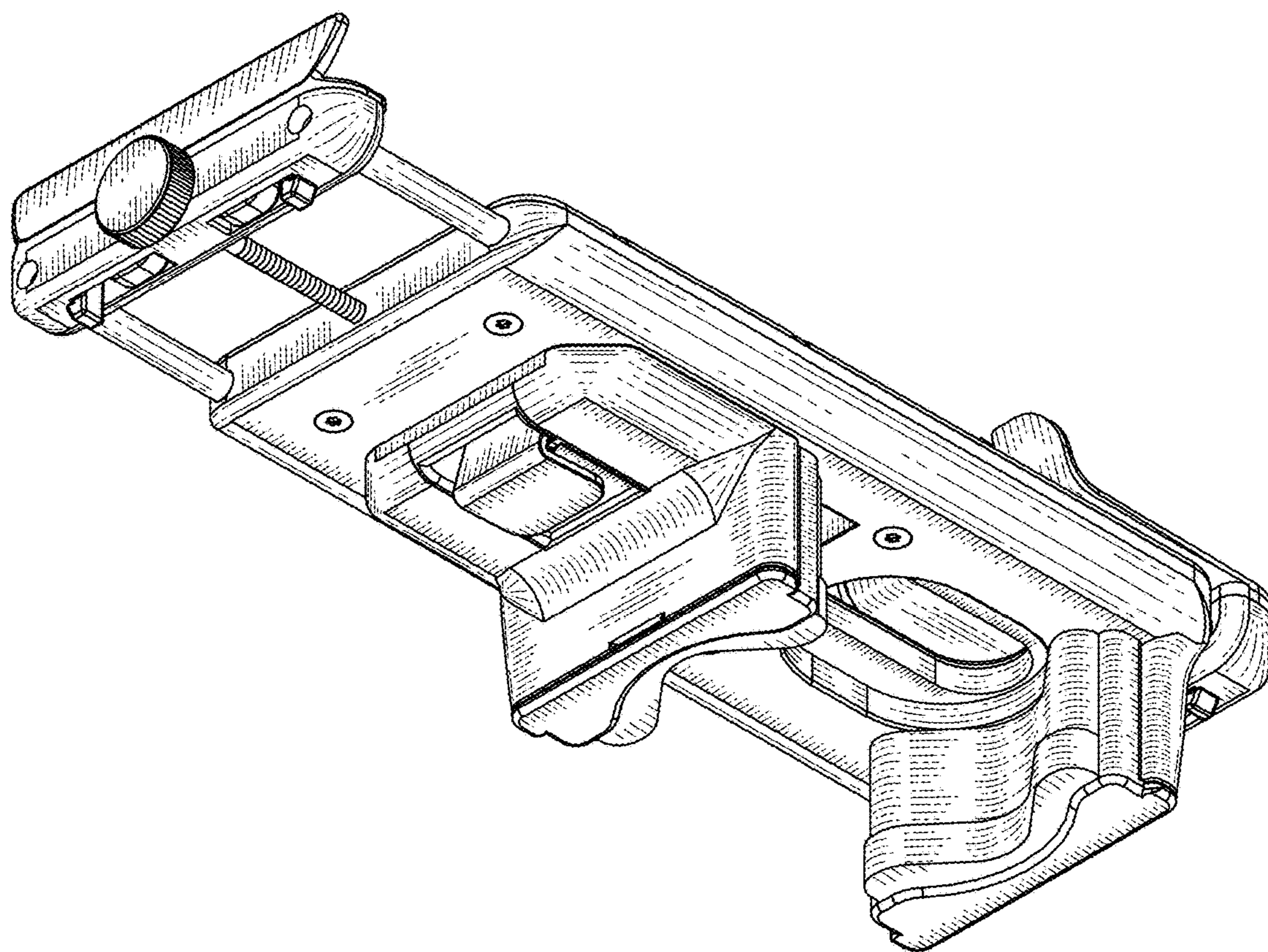


FIG. 6

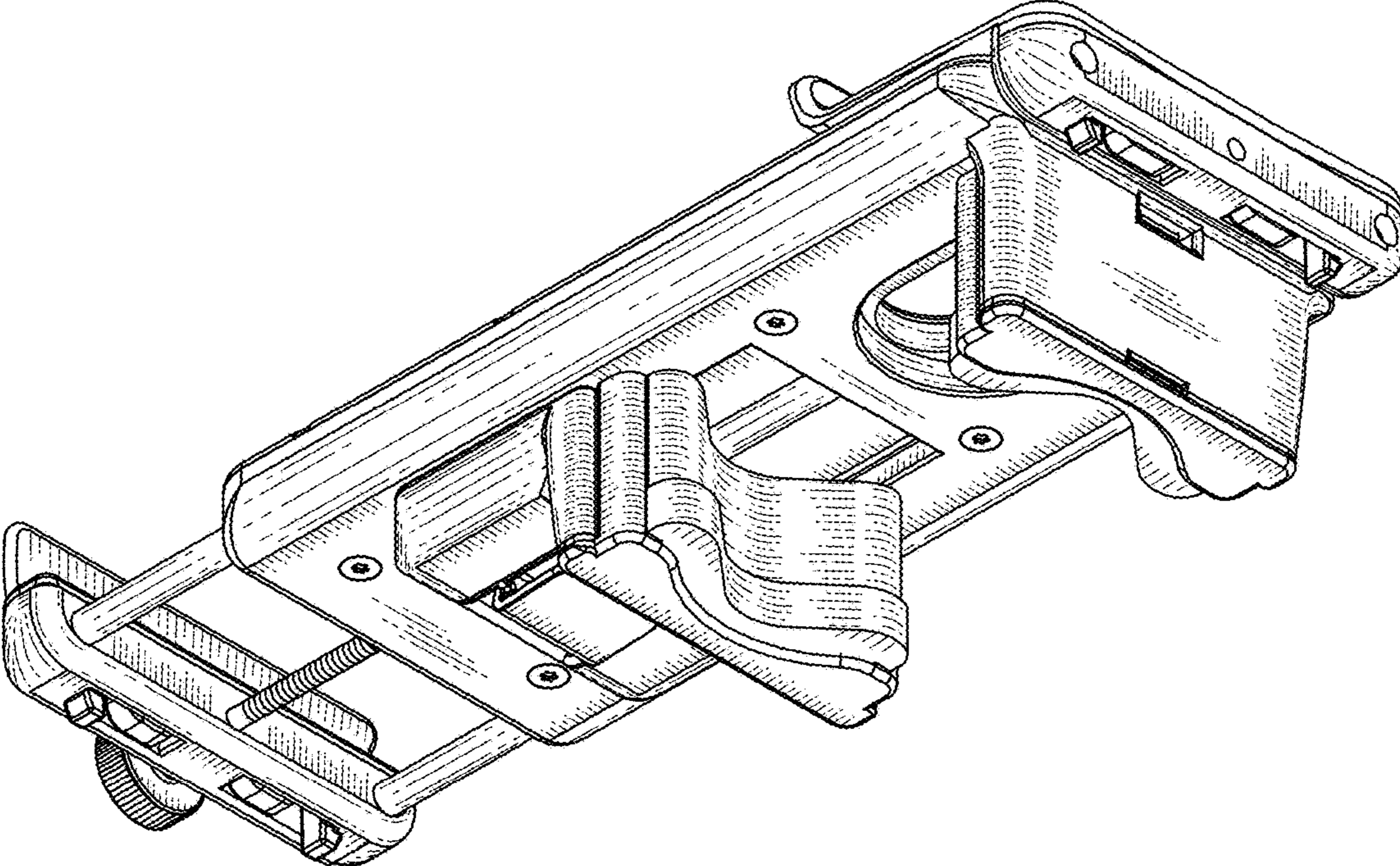


FIG. 7

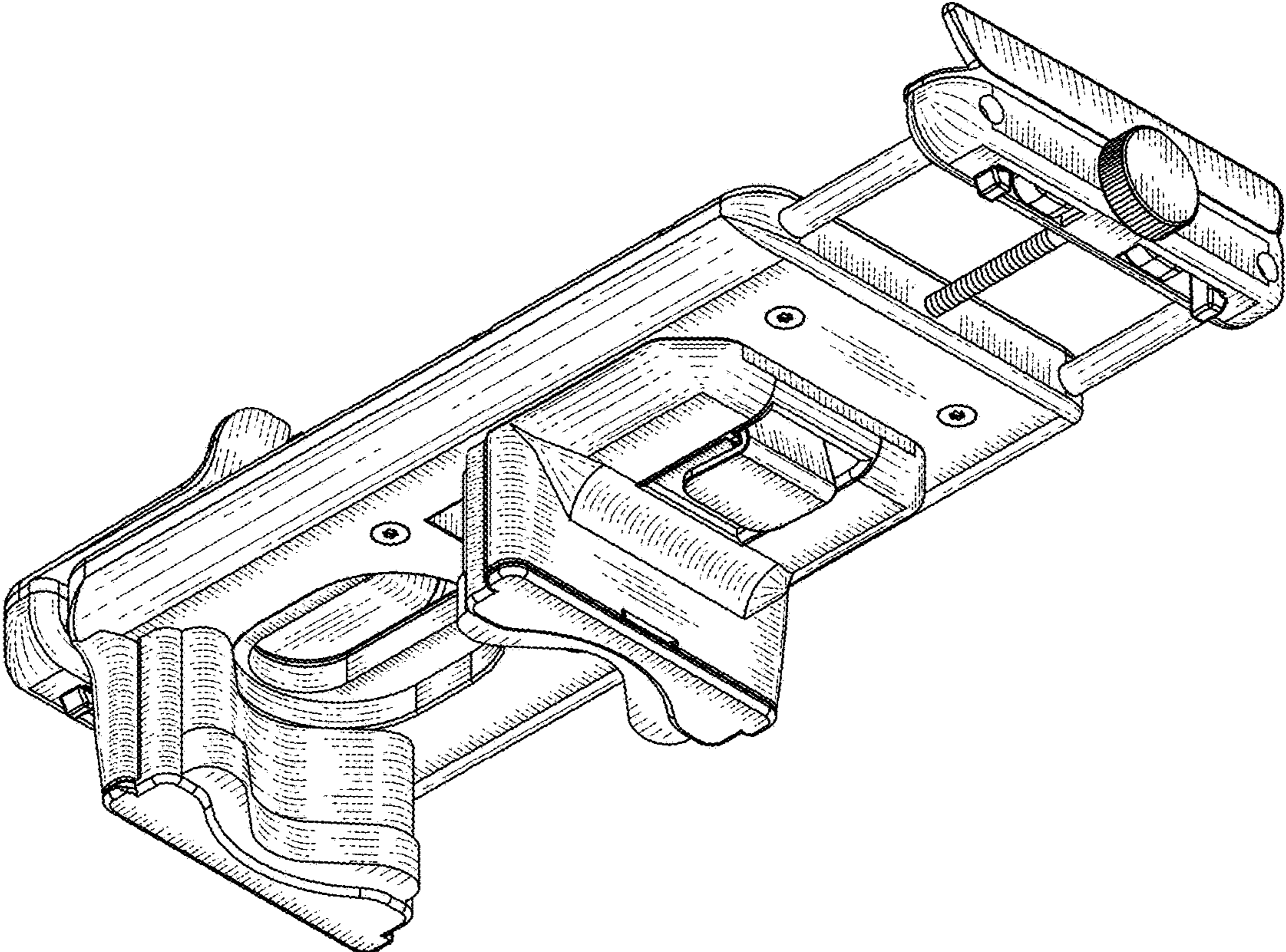


FIG. 8

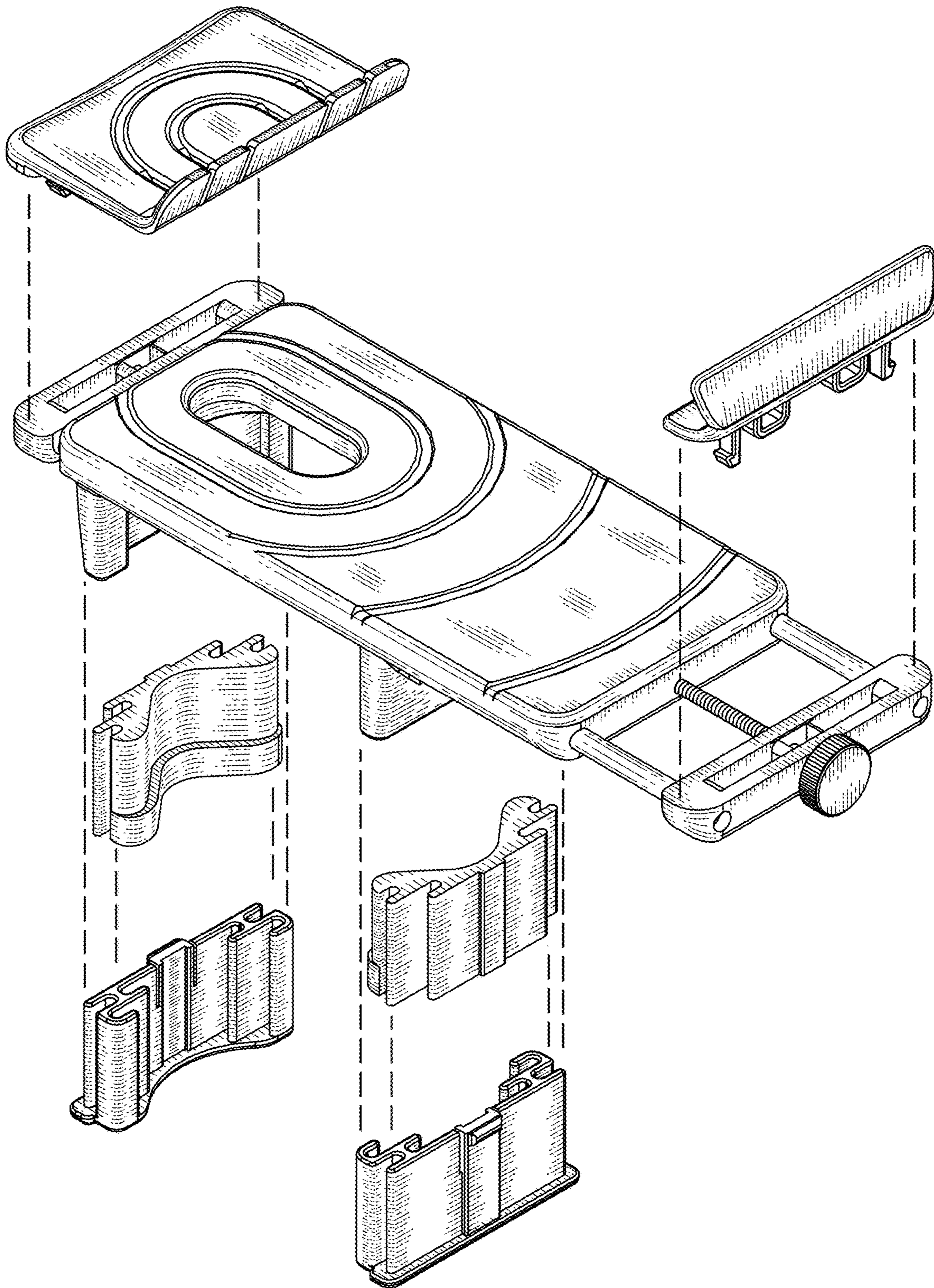


FIG. 9

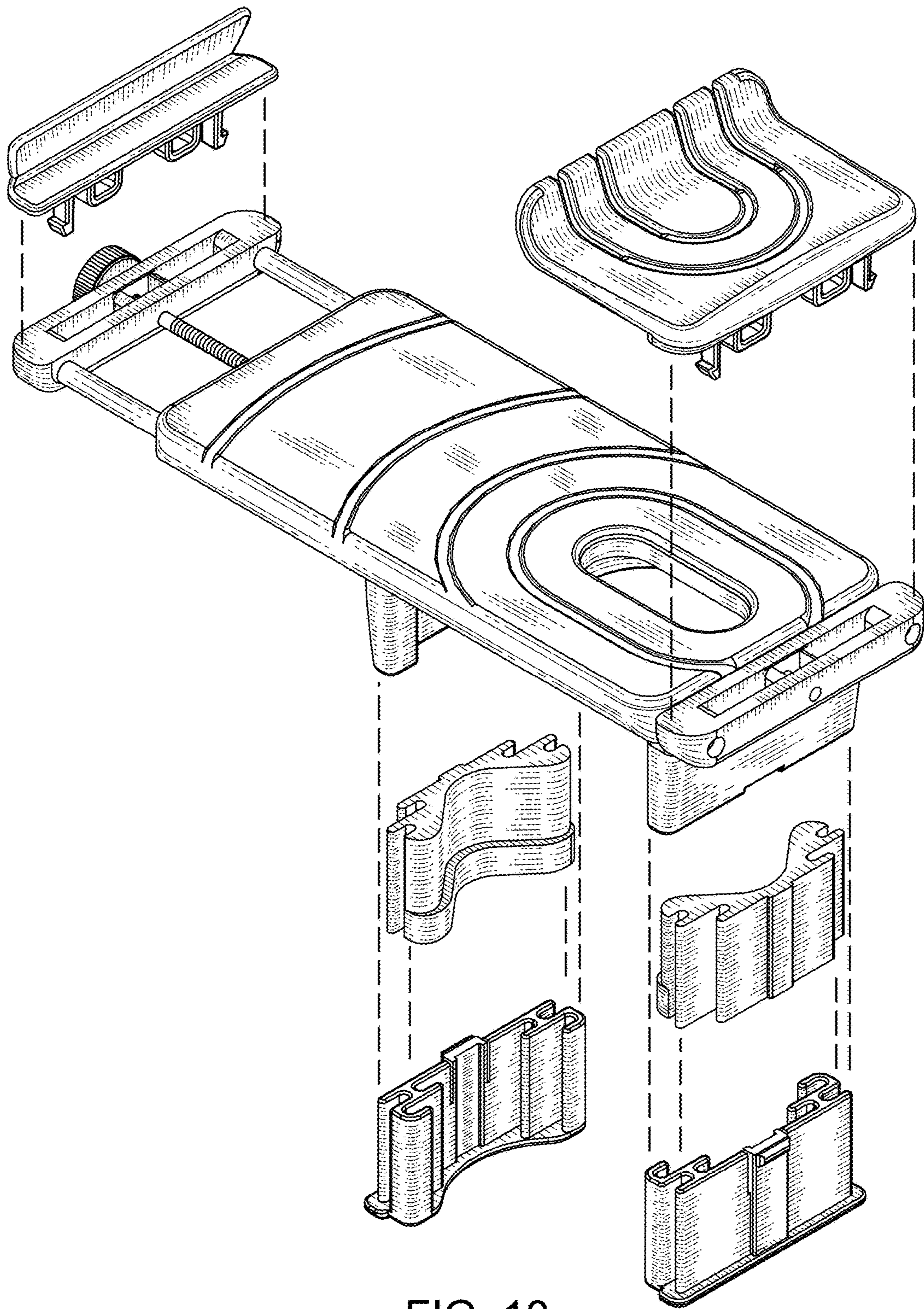


FIG. 10

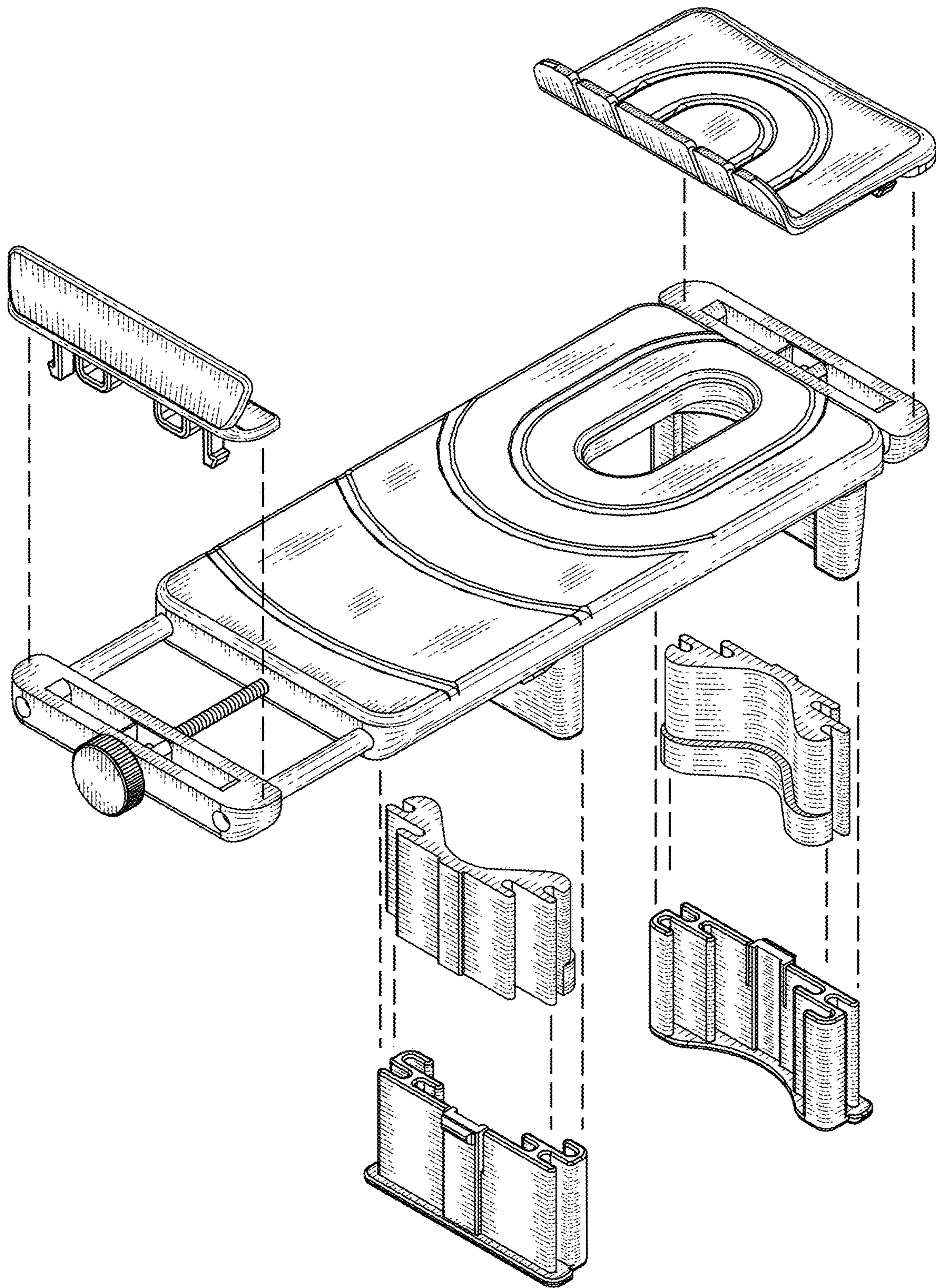


FIG. 11

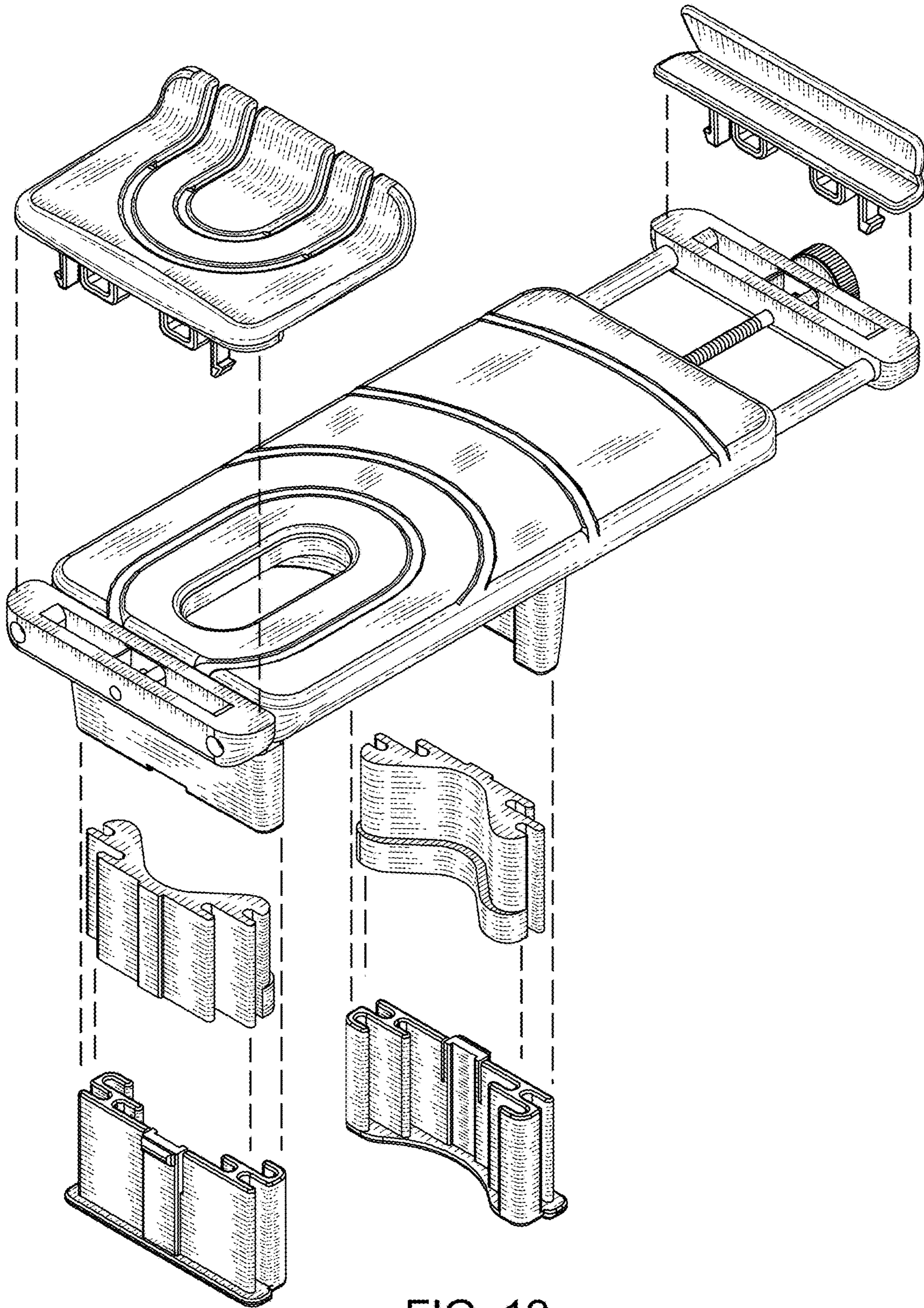


FIG. 12

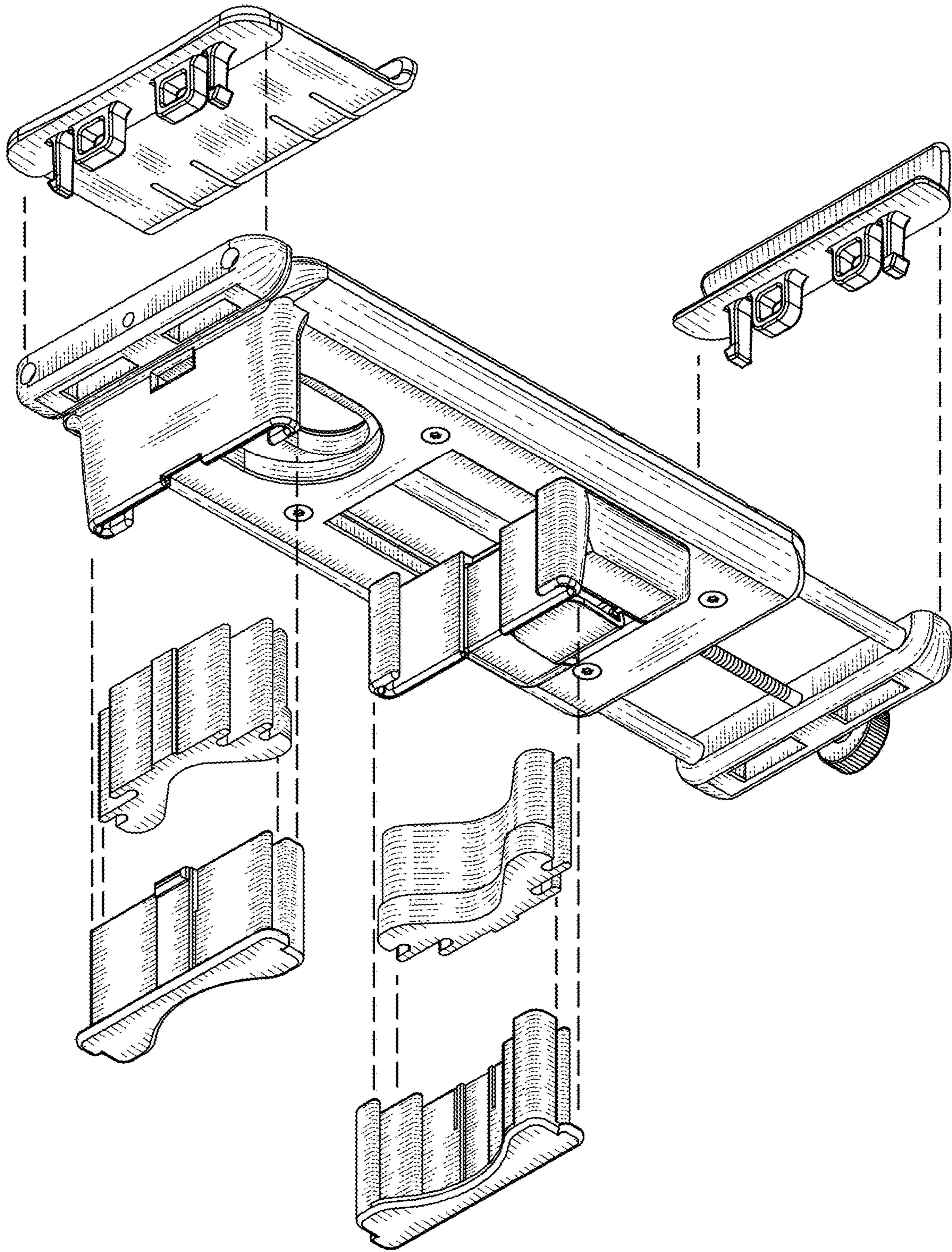


FIG. 13

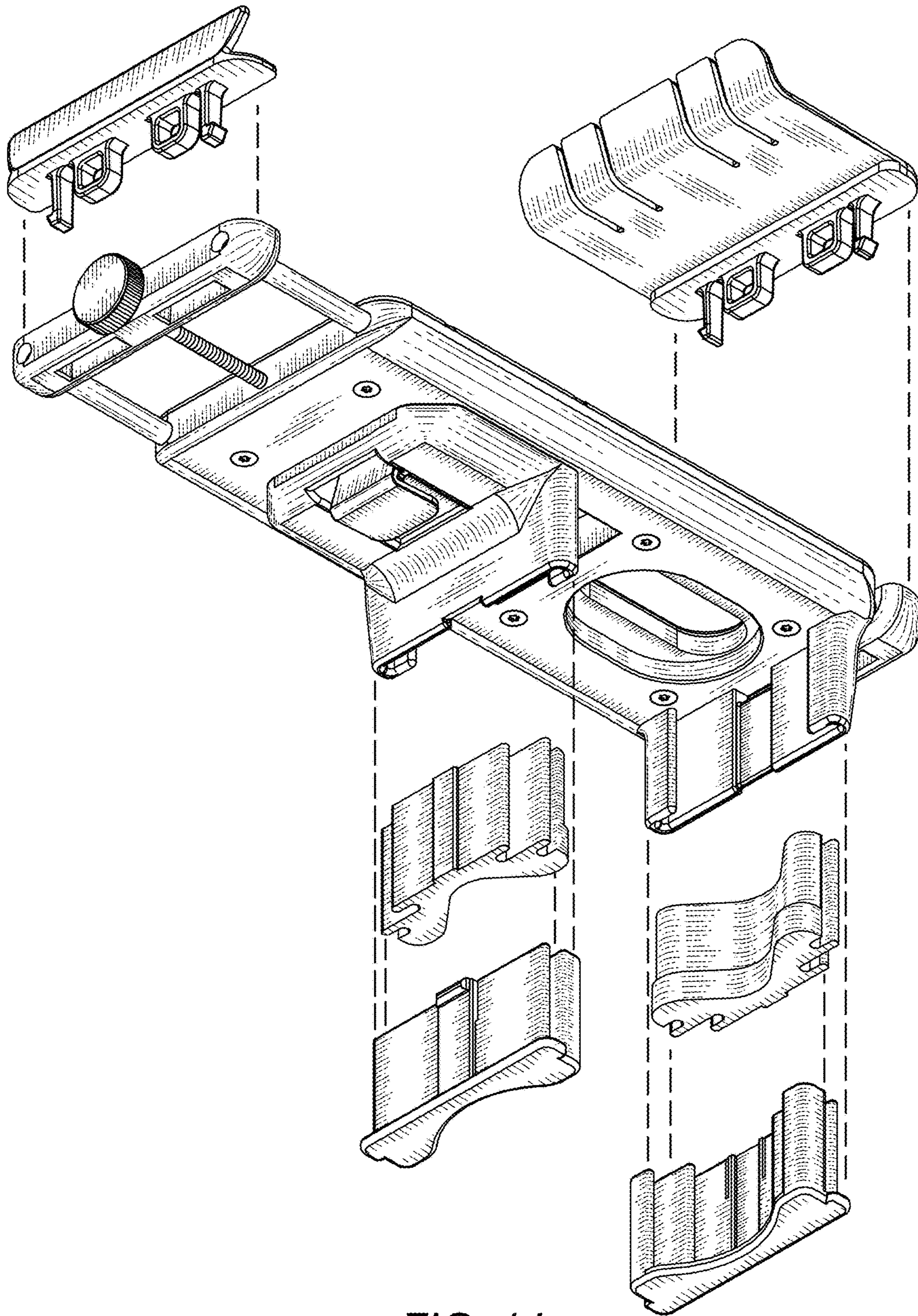


FIG. 14

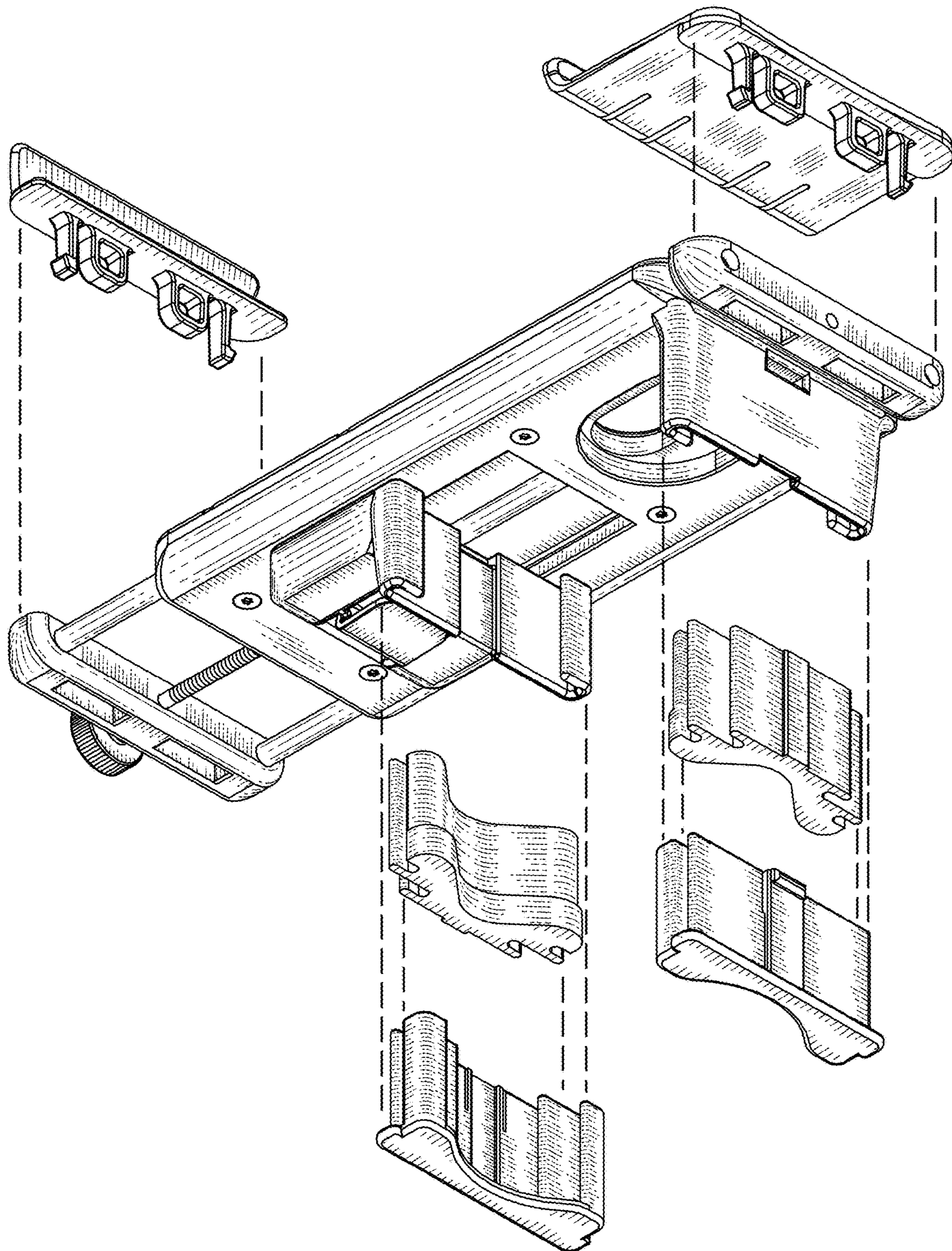


FIG. 15

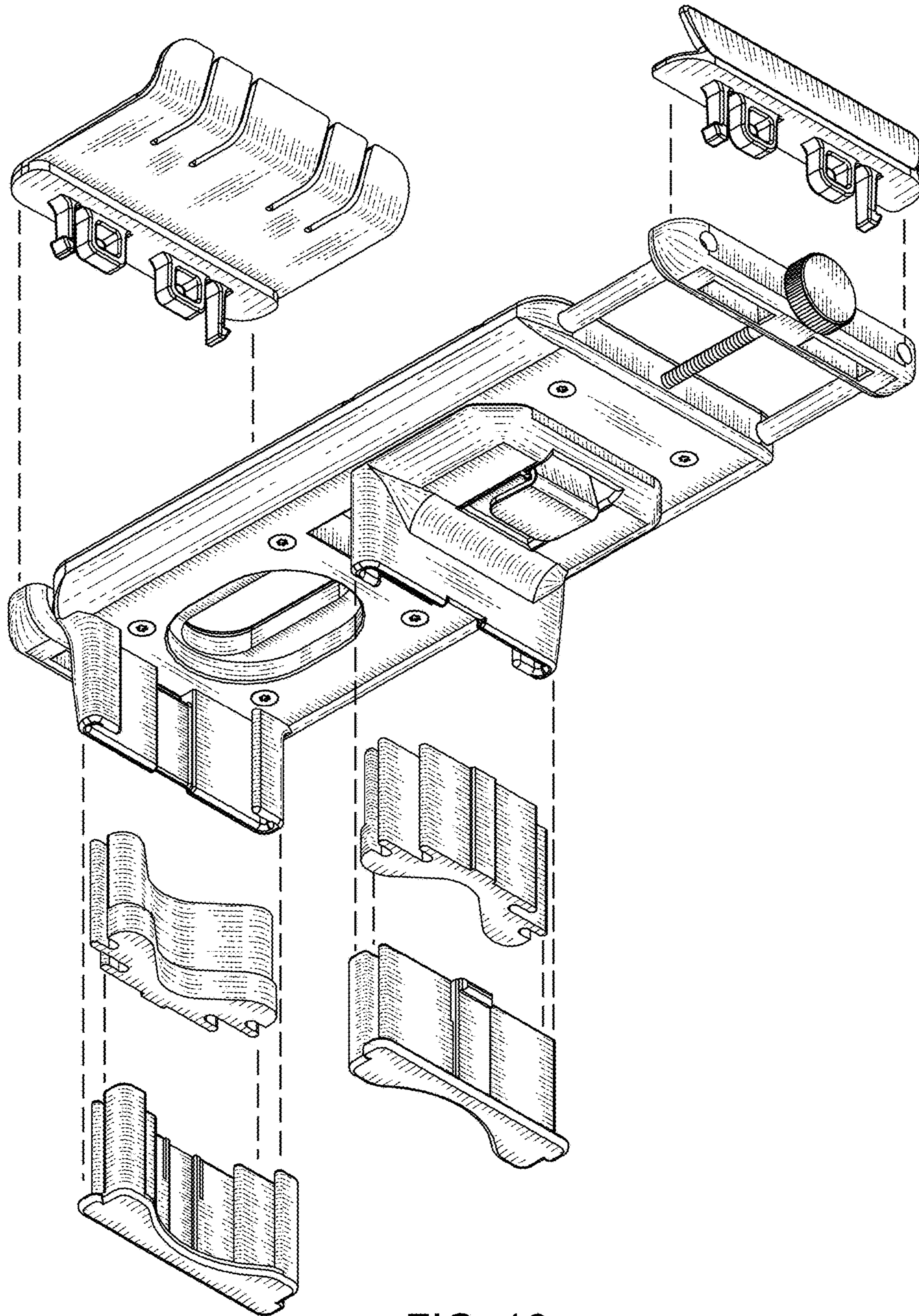


FIG. 16