



US00D785637S

(12) **United States Design Patent** (10) **Patent No.:** **US D785,637 S**
Hennings et al. (45) **Date of Patent:** **** May 2, 2017**

(54) **MOBILE DEVICE ENCLOSURE**
(71) Applicant: **SMPL Inc.**, Austin, TX (US)
(72) Inventors: **Mark Thomas Hennings**, Highlands Ranch, CO (US); **Jeremy Cox**, Austin, TX (US)
(73) Assignee: **SMPL Inc.**, Austin, TX (US)

D437,272 S * 2/2001 Lin D12/177
D451,557 S * 12/2001 Yu D21/320
D466,951 S * 12/2002 Hang D21/333
D490,757 S * 6/2004 Peng D12/177
D497,365 S * 10/2004 Hussaini D14/414
D521,961 S * 5/2006 Lin D14/126
D522,516 S * 6/2006 Hussaini D14/414
D526,255 S * 8/2006 Peng D12/177
D530,714 S * 10/2006 Lu D14/299

(Continued)

(**) Term: **15 Years**

OTHER PUBLICATIONS

(21) Appl. No.: **29/581,247**
(22) Filed: **Oct. 17, 2016**
(51) **LOC (10) Cl.** **14-02**
(52) **U.S. Cl.**
USPC **D14/440**; D14/250
(58) **Field of Classification Search**
USPC D14/255, 250-253, 341, 420, 426,
D14/432-434, 440, 447, 451, 240, 496,
D14/299, 400, 401, 414; D13/103, 107,
D13/108, 118, 119, 184, 199; D3/201,
D3/218; D16/235, 237, 242, 244, 245;
D26/37, 38, 51, 52; D21/325, 333
CPC H04M 1/04; H04M 1/06; H04M 1/11;
H04M 1/18; H04M 1/185; H04M 1/21;
H04B 1/3888; H02J 7/0042; H02J
7/0044; H02J 7/0045; H02J 7/0003;
H01M 2/02; H01M 2/1016; H01M
2/1022; H01M 2/1055; E04H 1/14; G06F
1/1616; G06F 1/1626
See application file for complete search history.

The iPhone 4G Steering Wheel with Speakers hands-on. cnet.com.
(online) 1 pg. Posted Mar. 25, 2011. [retrieved on Dec. 13, 2016]
<https://www.cnet.com/news/the-iphone-4g-steering-wheel-with-speakers-hands-on/>.*

(Continued)

Primary Examiner — Susan Bennett Hattan
Assistant Examiner — Marie Fast Horse
(74) *Attorney, Agent, or Firm* — Marin Patents LP;
Gustavo Marin

(57) **CLAIM**

The ornamental design for a mobile device enclosure, as shown and described.

DESCRIPTION

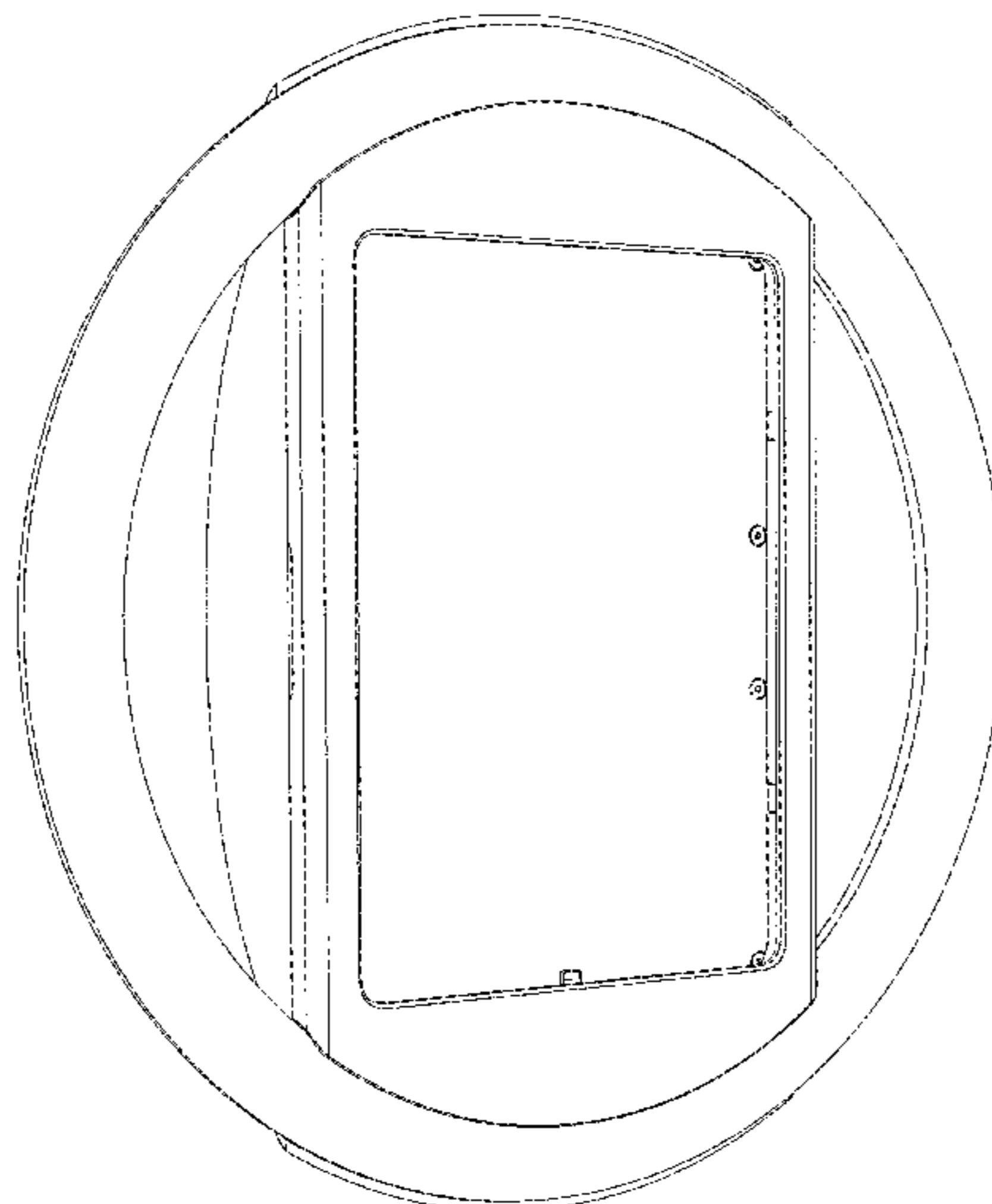
FIG. 1 is a right-front isometric view of a mobile device enclosure.
FIG. 2 is a left-front isometric view thereof.
FIG. 3 is a front elevational view thereof.
FIG. 4 is a rear elevational view thereof.
FIG. 5 is a top plan view thereof.
FIG. 6 is a bottom view thereof.
FIG. 7 is a left elevational view thereof.
FIG. 8 is a right elevational view thereof.
FIG. 9 is a left-rear isometric view thereof; and,
FIG. 10 is a right-rear isometric view thereof.

1 Claim, 8 Drawing Sheets

(56) **References Cited**

U.S. PATENT DOCUMENTS

D283,419 S * 4/1986 Johnson D14/163
5,639,123 A * 6/1997 Medley B42D 5/007
281/44
D395,464 S * 6/1998 Shiibashi D21/385
D410,970 S * 6/1999 Larian D21/329
D420,708 S * 2/2000 Holmes D21/329



(56)

References Cited

U.S. PATENT DOCUMENTS

D553,622 S * 10/2007 Petrotta D14/414
 D558,651 S * 1/2008 Ikeda D14/401
 D585,895 S * 2/2009 Hu D14/401
 D586,865 S * 2/2009 Ko D14/400
 D602,096 S * 10/2009 Ashida D14/414
 D612,383 S * 3/2010 Wen D14/434
 D613,285 S * 4/2010 Grant D14/341
 D615,131 S * 5/2010 Biheller D14/400
 D623,571 S * 9/2010 Cook D12/177
 D637,655 S * 5/2011 Baumann D14/414
 D639,865 S * 6/2011 Sogabe D21/333
 D641,797 S * 7/2011 Chen D14/400
 D647,502 S * 10/2011 Holzer D14/168
 D660,840 S * 5/2012 Chen D14/434
 D688,252 S * 8/2013 Paul D14/205
 D690,704 S * 10/2013 Padilla D14/440
 D693,814 S * 11/2013 Park D14/434
 D695,839 S * 12/2013 Lin D14/401
 D708,675 S * 7/2014 Delrue D21/333
 D711,369 S * 8/2014 Eriksson D14/341

D726,185 S 4/2015 Park et al.
 D727,917 S * 4/2015 Yeo D14/440
 D741,335 S * 10/2015 Bastian D14/440
 D742,387 S * 11/2015 Xiang D14/447
 2015/0050965 A1* 2/2015 Perry H04M 19/048
 455/567

OTHER PUBLICATIONS

iPad 2 Case Silicone iPad Case iPad 3 4 for Kids by Lioeo.
 amazon.com. (online) 9 pgs. Available as early as May 18, 2016 via
 reviewer "So Blessed!". [retrieved on Dec. 13, 2016] [https://www.
 amazon.com/Silicone-Lioeo-Sturdy-Carrying-Handle/dp/
 B01DNVVC68/ref=pd_sim_147_8?_encoding=UTF8&pvc=1
 &refRID=NWF74PC7XMKCTKVMBT77.*](https://www.amazon.com/Silicone-Lioeo-Sturdy-Carrying-Handle/dp/B01DNVVC68/ref=pd_sim_147_8?_encoding=UTF8&pvc=1&refRID=NWF74PC7XMKCTKVMBT77.*)
 HDE iPad Mini Case Kids Shock Proof Steering Wheel Cover with
 Stand. (online) 9 pgs. Available as early as Jan. 10, 2014 via
 reviewer "Brandi V.". [retrieved on Dec. 13, 2016] [https://www.
 amazon.com/HDE-Shock-Proof-Steering-Retina/dp/
 B00G299Y1Y.*](https://www.amazon.com/HDE-Shock-Proof-Steering-Retina/dp/B00G299Y1Y.*)

* cited by examiner

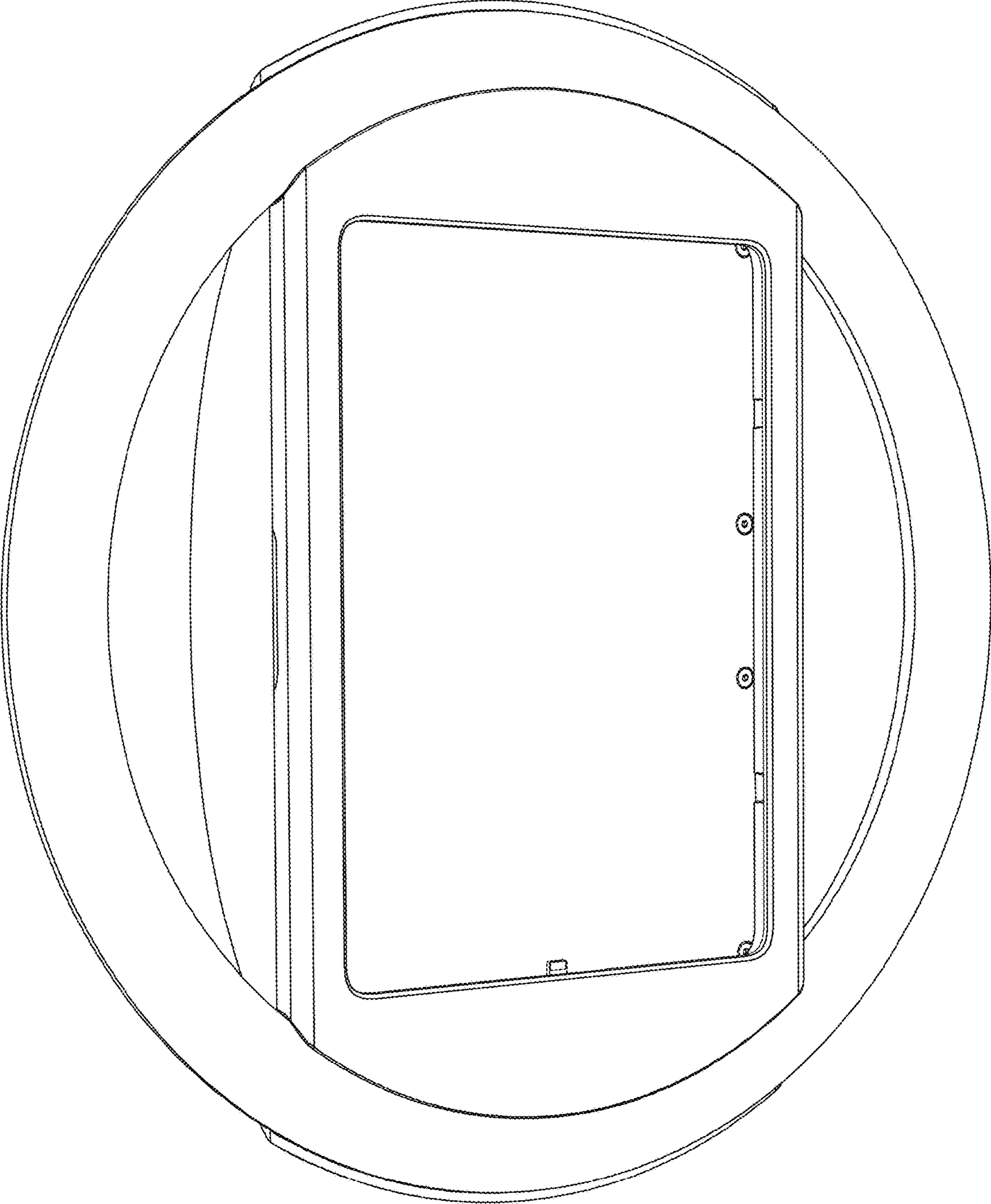


Fig. 1

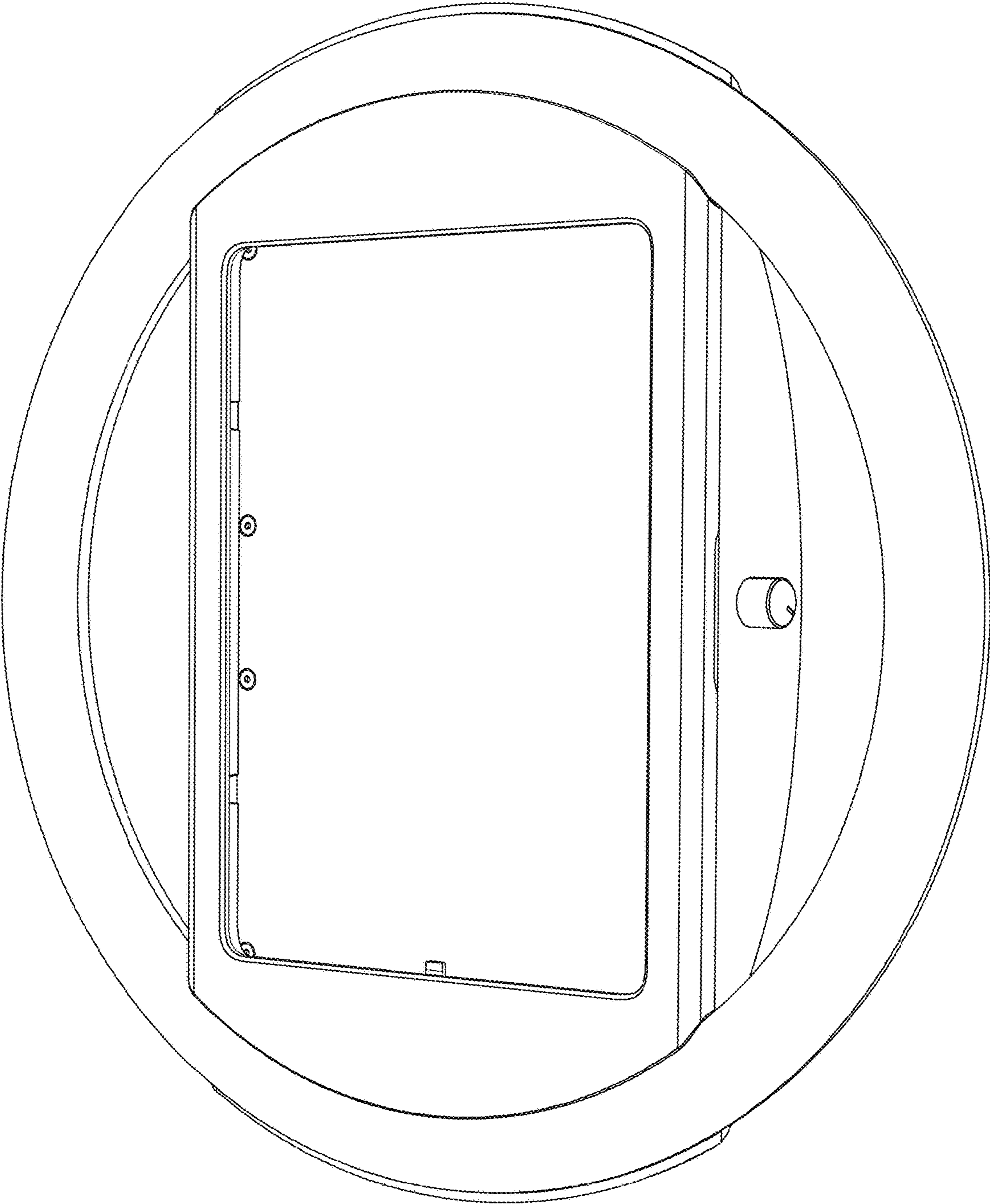


Fig. 2

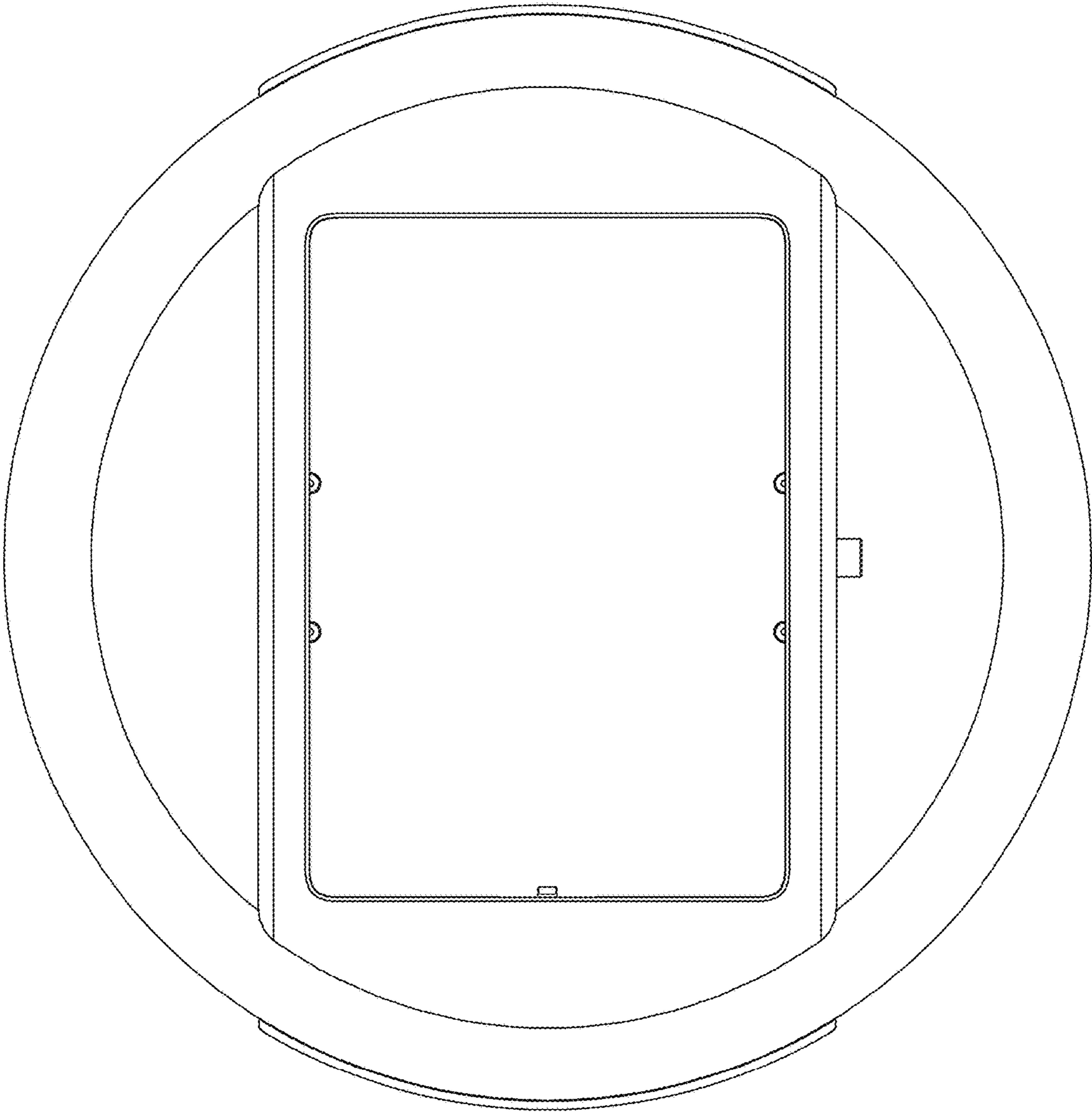


Fig. 3

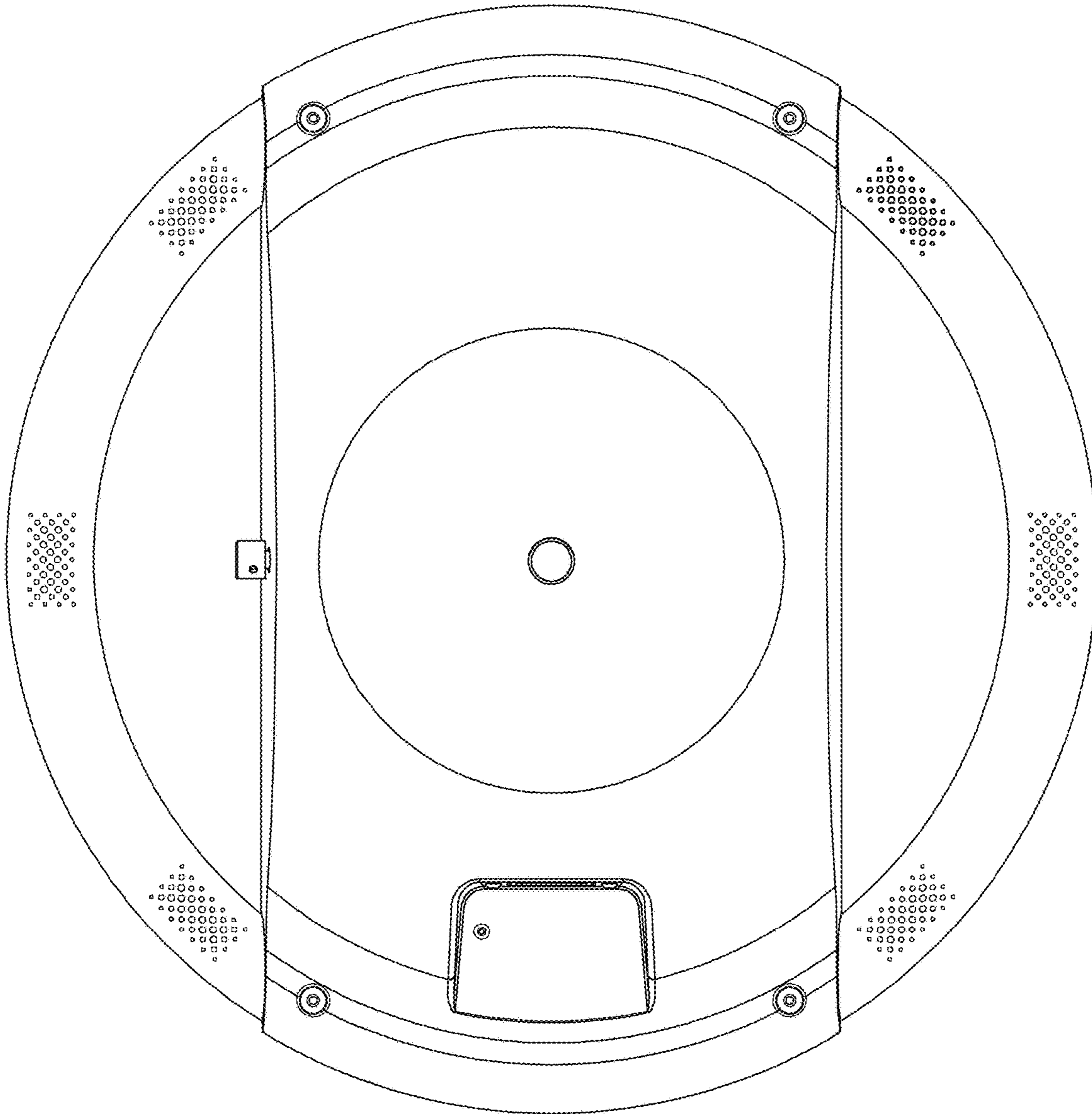


Fig 4.

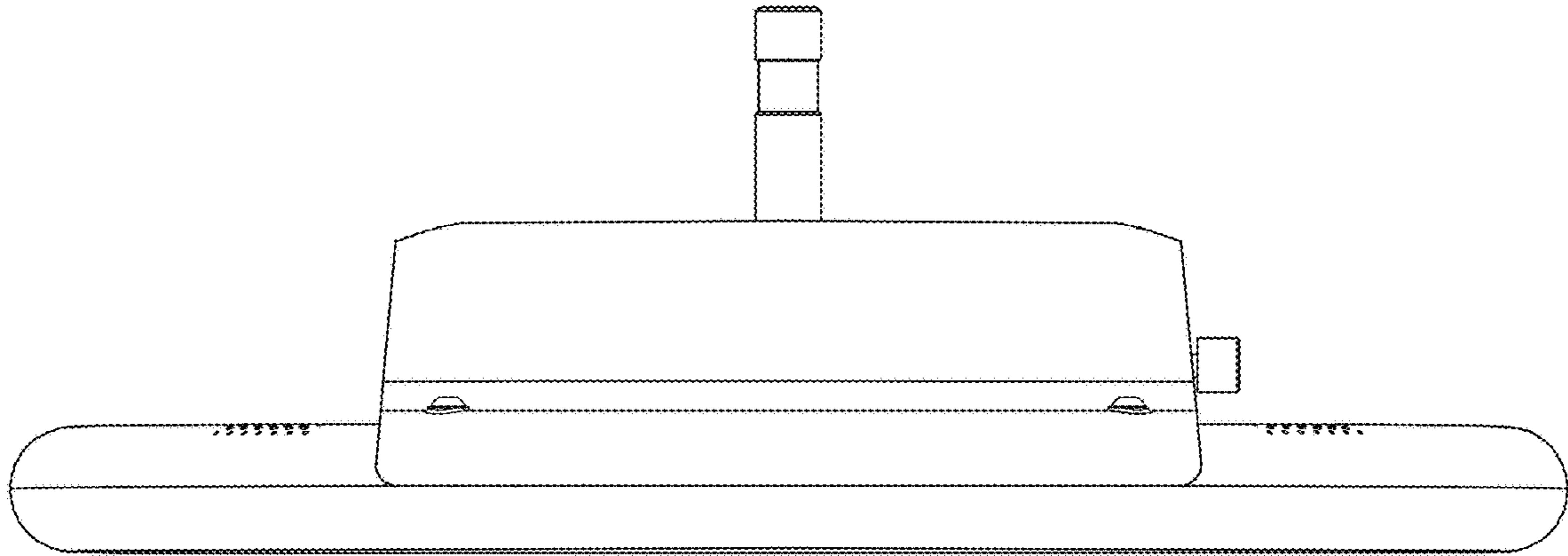


Fig. 5

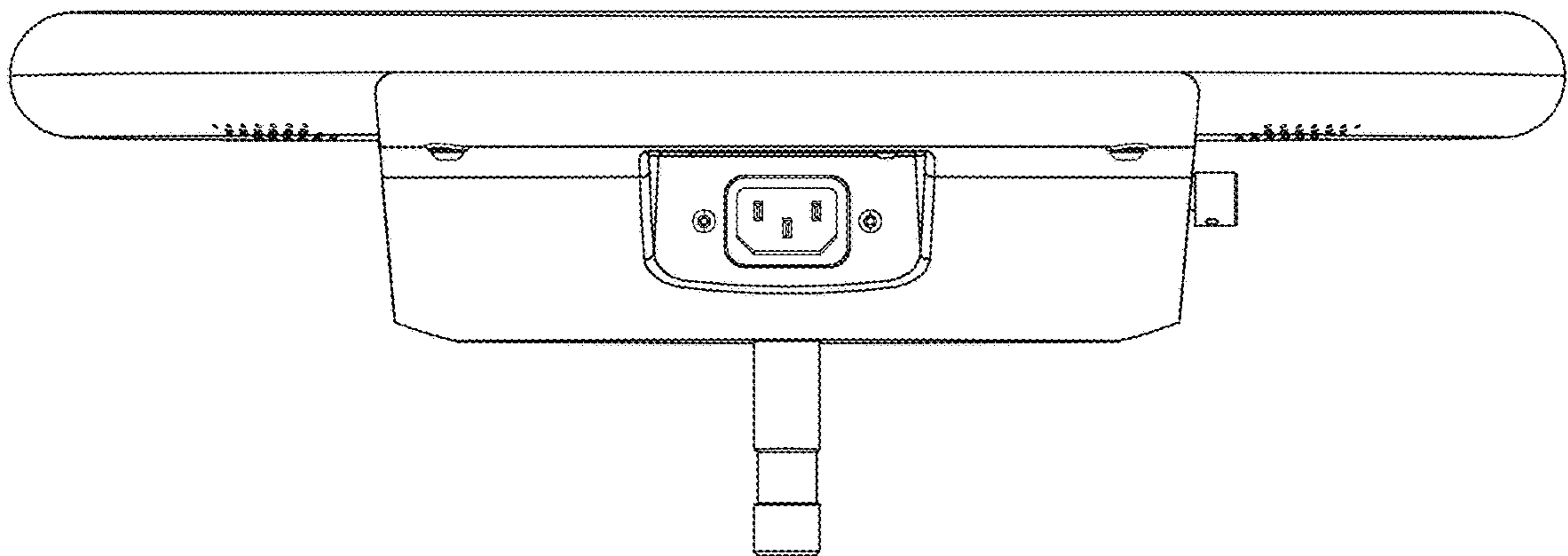


Fig. 6

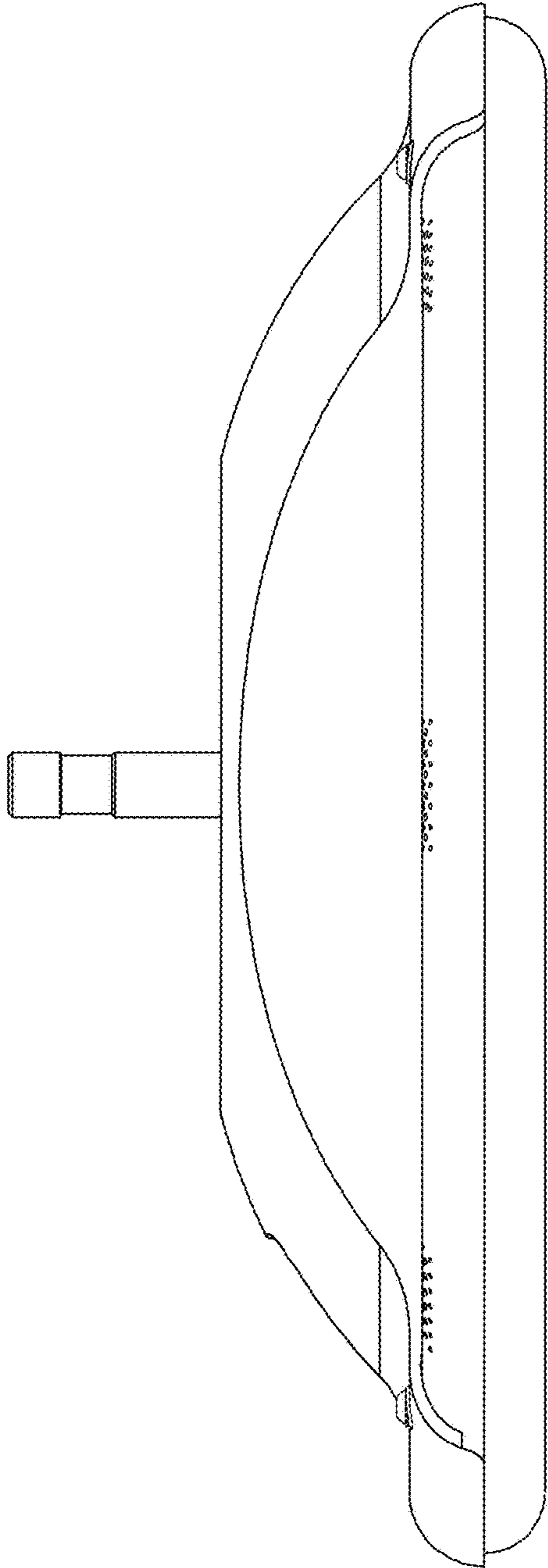


Fig. 7

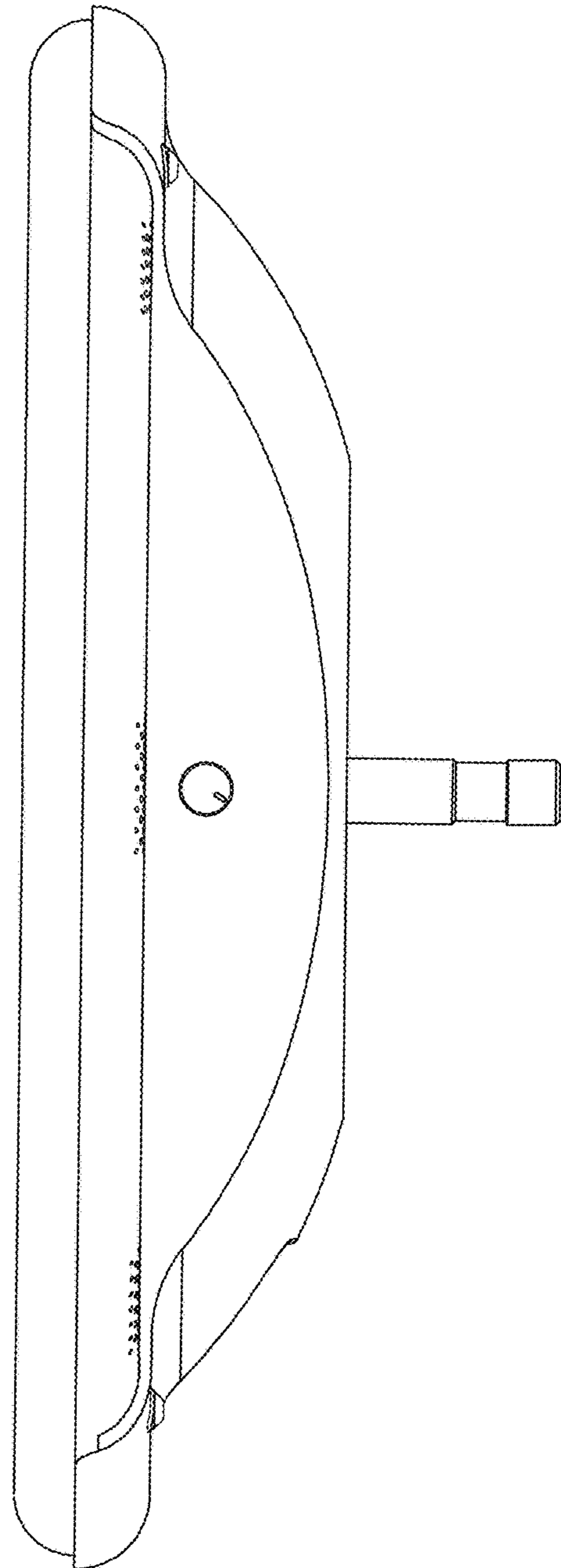


Fig. 8

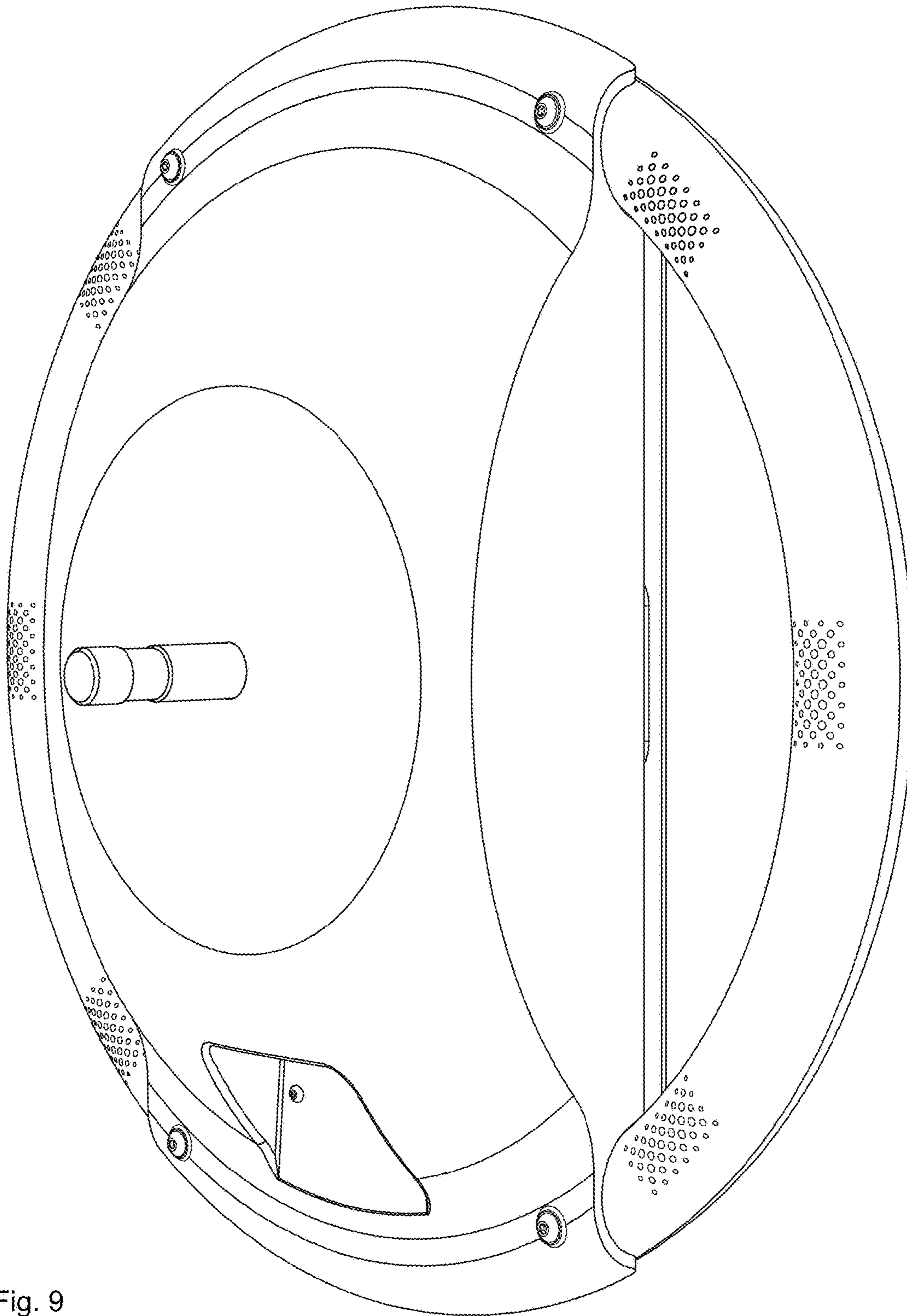


Fig. 9

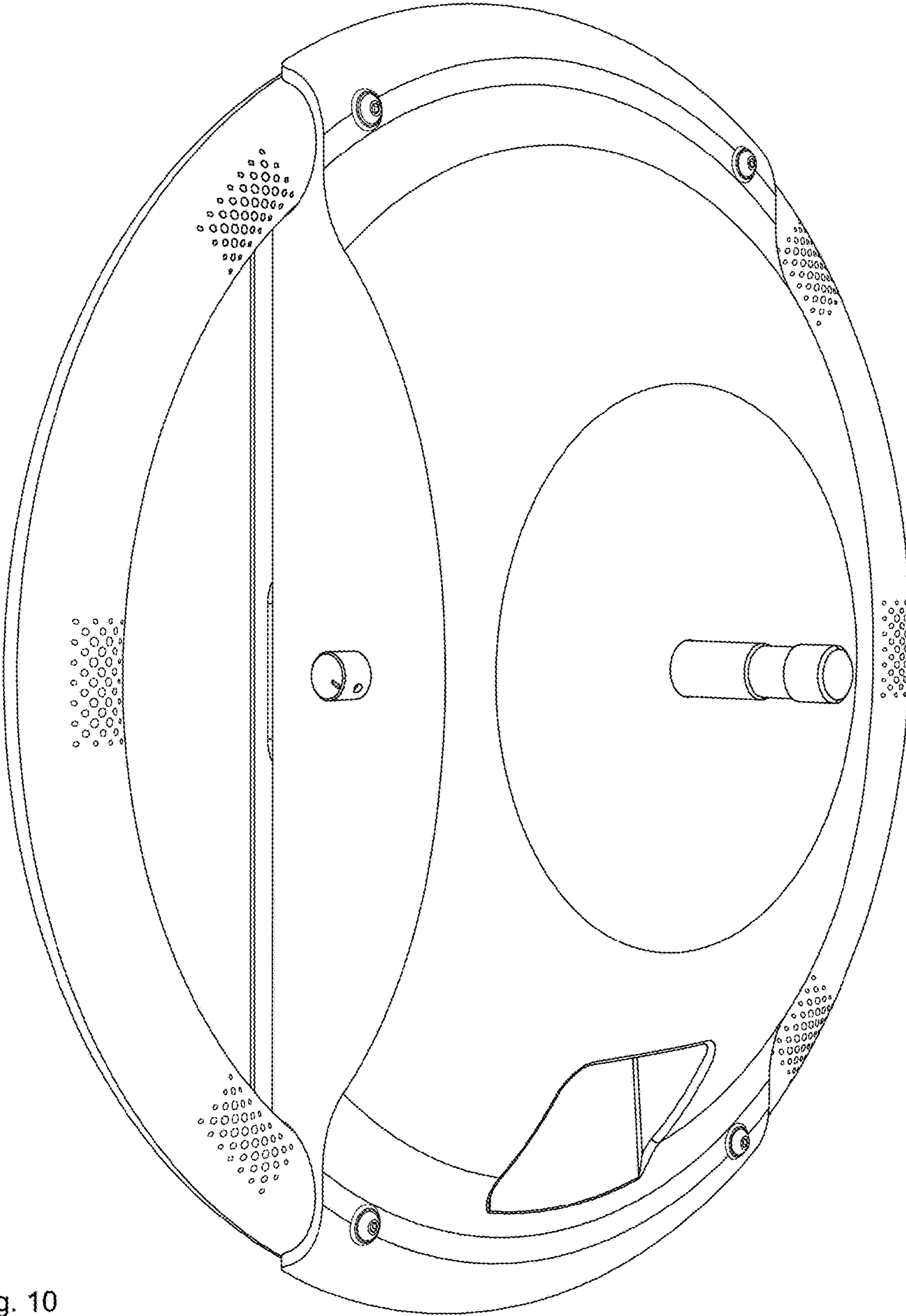


Fig. 10