



US00D785636S

(12) **United States Design Patent** (10) **Patent No.:** **US D785,636 S**
Oberpriller et al. (45) **Date of Patent:** **** *May 2, 2017**

(54) **ELECTRONIC DEVICE CASE**

(71) Applicant: **Hand Held Products, Inc.**, Fort Mill, SC (US)

(72) Inventors: **Mark Lee Oberpriller**, Atlanta, GA (US); **Timothy R. Fitch**, Syracuse, NY (US); **Yuefeng Mo**, Suzhou (CN)

(73) Assignee: **Hand Held Products, Inc.**, Fort Mill, SC (US)

(*) Notice: This patent is subject to a terminal disclaimer.

(**) Term: **14 Years**

(21) Appl. No.: **29/468,118**

(22) Filed: **Sep. 26, 2013**

(51) **LOC (10) Cl.** **14-02**

(52) **U.S. Cl.**
USPC **D14/440**

(58) **Field of Classification Search**

USPC D14/203.3–203.8, 217, 238.1, 240, 248, D14/250–253, 300, 341–347, 432, 439, D14/440, 447, 496; D3/201, 215, 226, D3/227, 230, 232, 242, 243, 267, 268, D3/273, 274, 276, 283, 289, 290, 294, D3/300–303, 315, 318, 319, 323–328; D16/219; D13/107–108, 119; 248/309.1, 248/176.3, 668; 361/679.56, 679.3, 361/679.25; 455/456.1, 575.1, 575.3, 455/575.8; 220/4.02; 345/173
CPC H04B 1/3888; H04M 1/0283; H04M 1/18; H04M 1/0214; A45C 2011/002
See application file for complete search history.

(56) **References Cited**

U.S. PATENT DOCUMENTS

D637,589 S * 5/2011 Willes et al. D14/250
D642,171 S * 7/2011 Melanson et al. D14/250

D662,924 S * 7/2012 Melanson et al. D14/250
D673,545 S * 1/2013 Magness et al. D14/250
D681,613 S * 5/2013 Magness et al. D14/238.1
D694,244 S * 11/2013 Magness et al. D14/440
D695,297 S * 12/2013 Sun et al. D14/440
D703,211 S * 4/2014 Weller et al. D14/440
D705,767 S * 5/2014 Yoon D14/250
D709,062 S * 7/2014 Melanson et al. D14/250
D709,063 S * 7/2014 Chang et al. D14/250
2012/0275025 A1 * 11/2012 Parrill 359/511
2013/0027862 A1 * 1/2013 Rayner 361/679.3

* cited by examiner

Primary Examiner — Caron D Veynar

Assistant Examiner — Holly E Thurman

(74) *Attorney, Agent, or Firm* — Additon, Higgins & Pendleton, P.A.

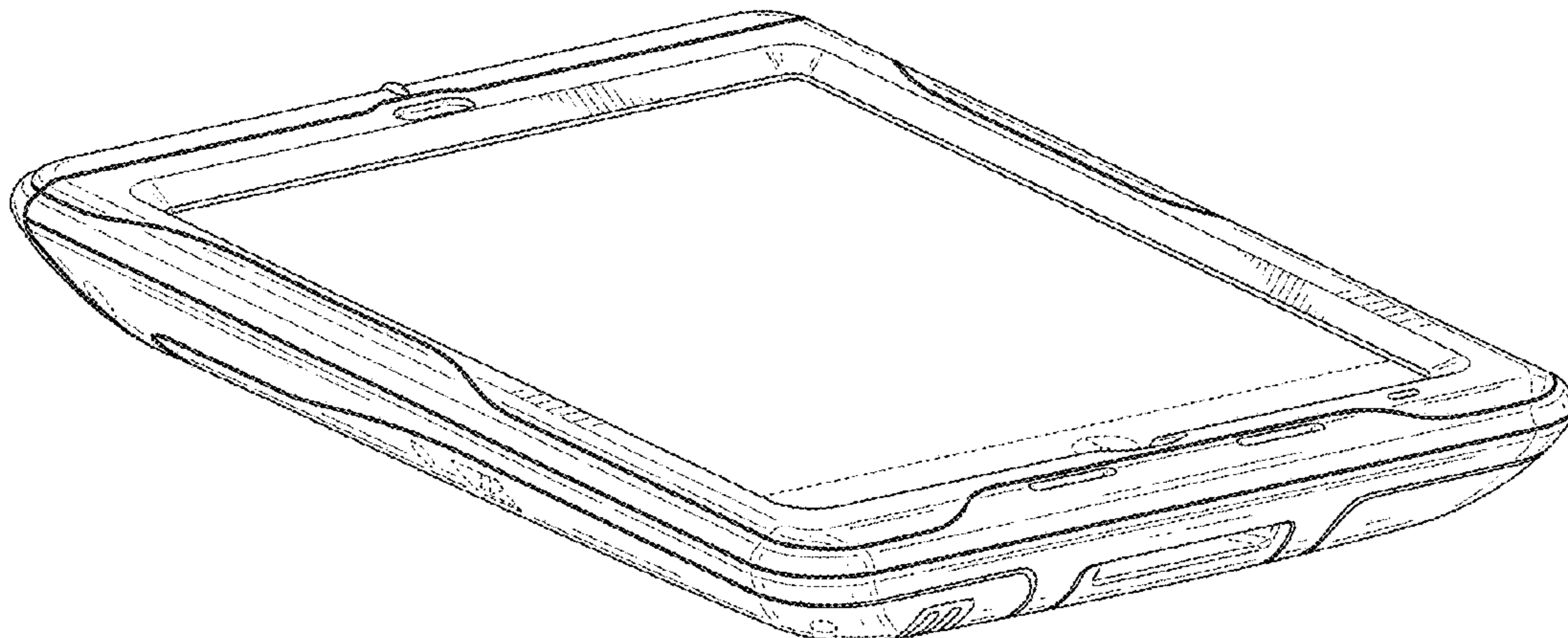
(57) **CLAIM**

The ornamental design for an electronic device case, as shown and described.

DESCRIPTION

FIG. 1 is a perspective view of an electronic device case showing a new design;
FIG. 2 is a front elevation view thereof;
FIG. 3 is a rear elevation view thereof;
FIG. 4 is a left side elevation view thereof;
FIG. 5 is a right side elevation view thereof;
FIG. 6 is a top plan view thereof;
FIG. 7 is a bottom plan view thereof;
FIG. 8 is another perspective view thereof;
FIG. 9 is another perspective view thereof; and,
FIG. 10 is another perspective view thereof.
Any broken lines shown in the drawings of the electronic device case are for illustrative purposes only and form no part of the claimed design.

1 Claim, 10 Drawing Sheets



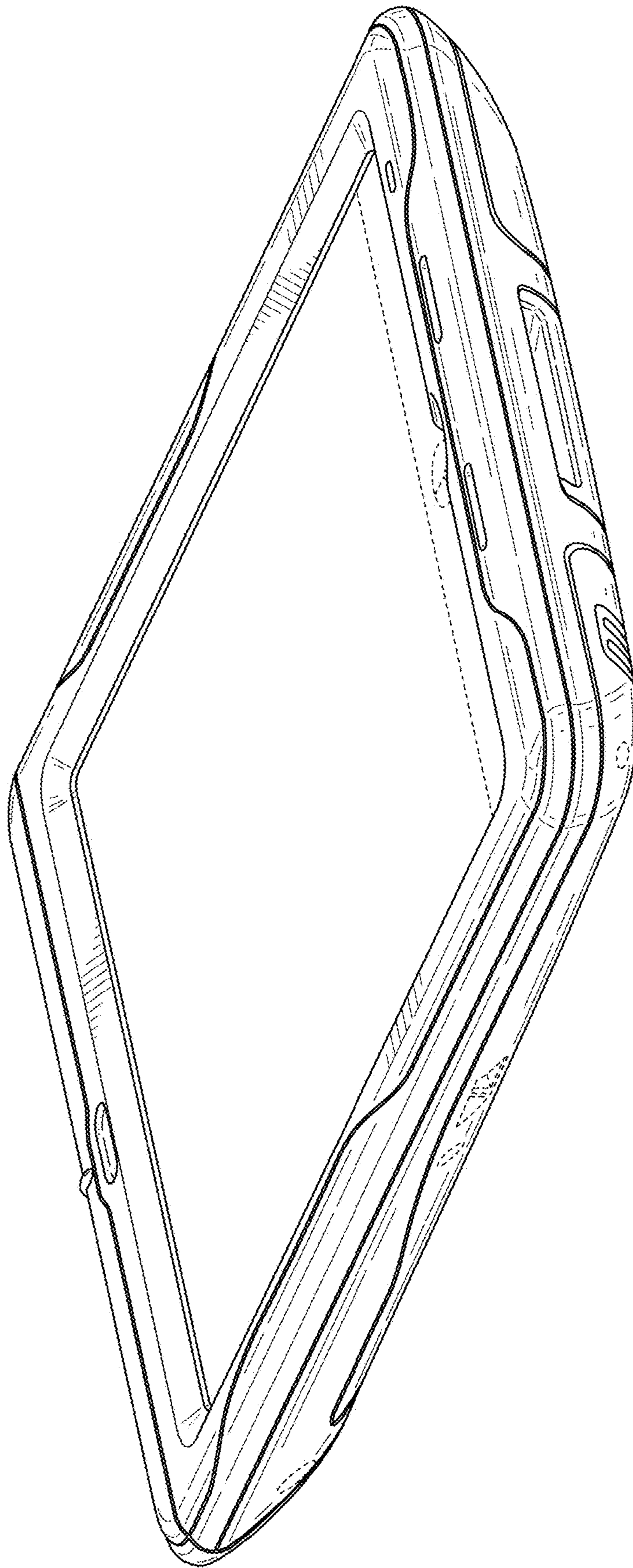


FIG. 1

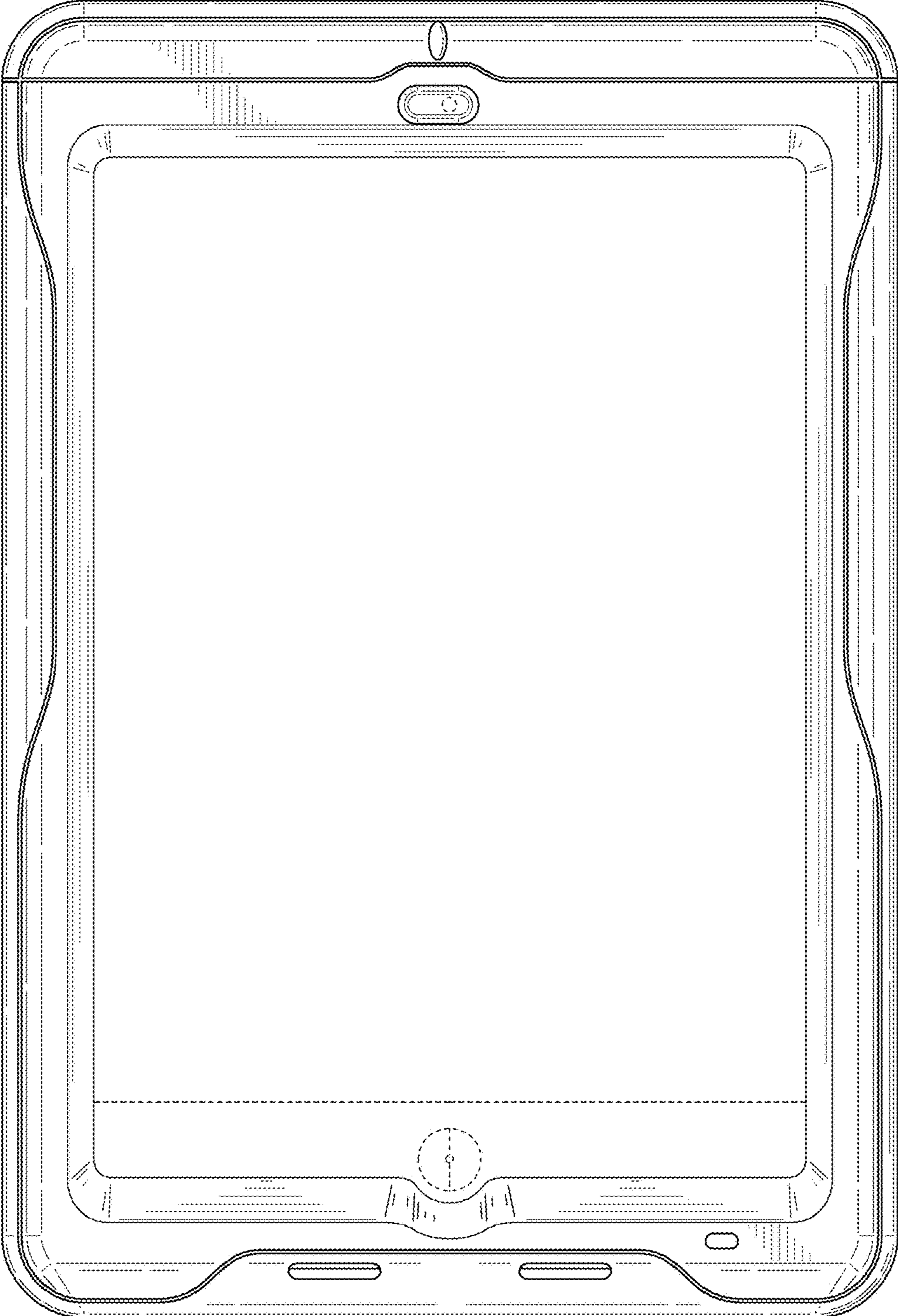


FIG. 2

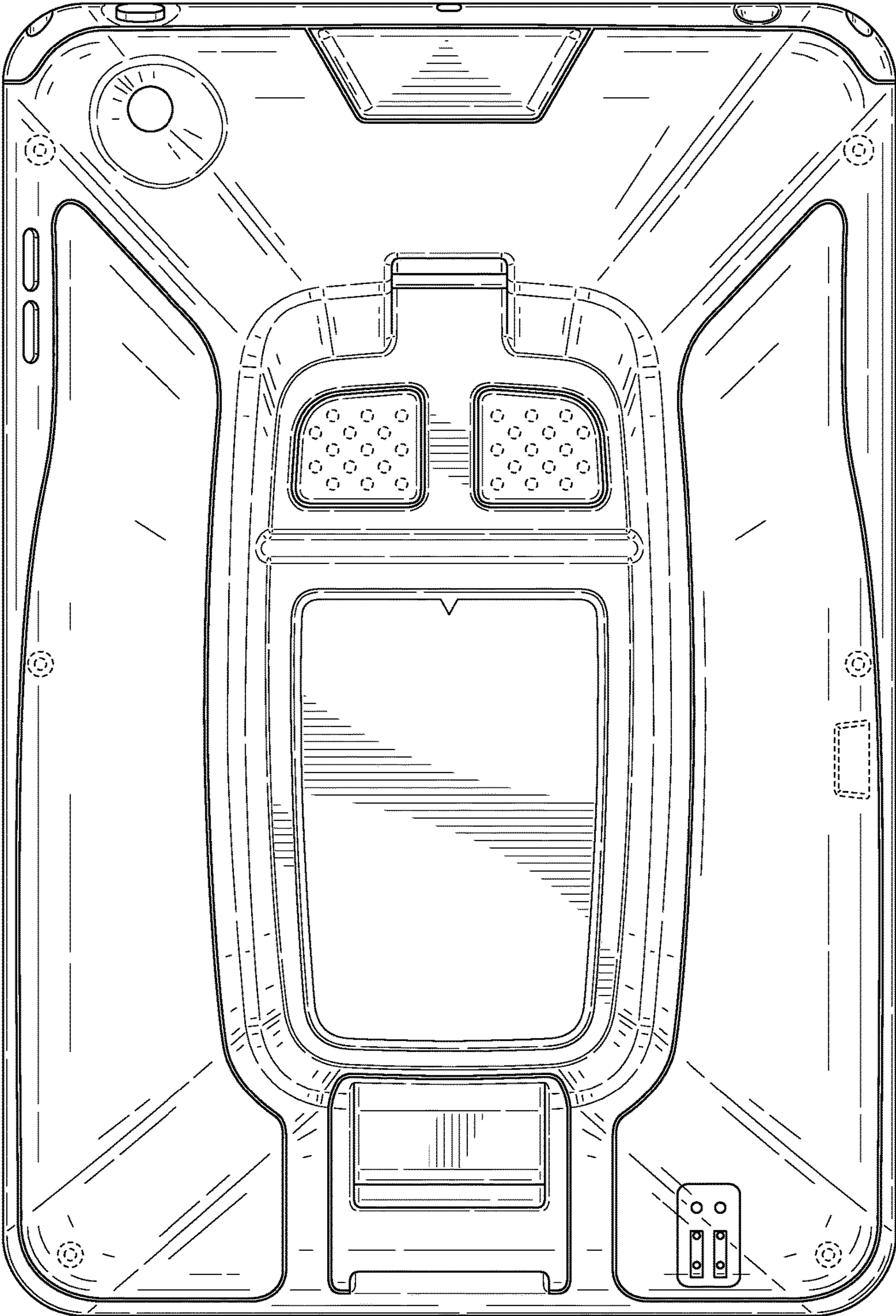


FIG. 3

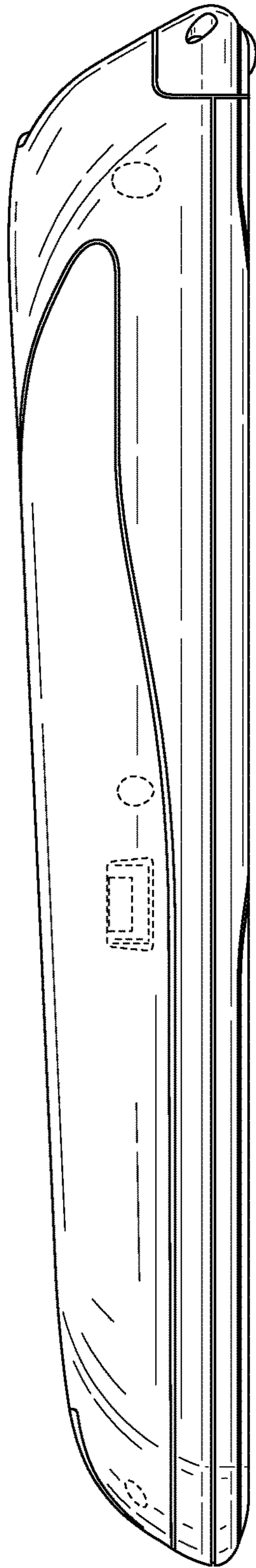


FIG. 4

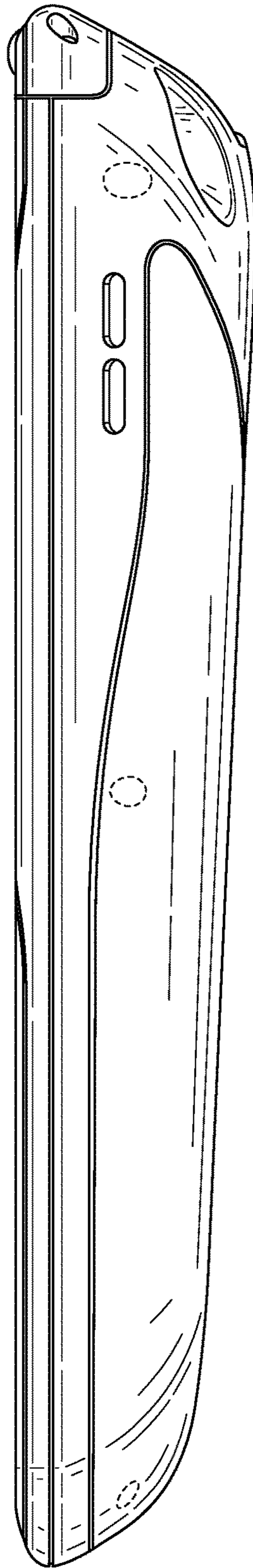


FIG. 5

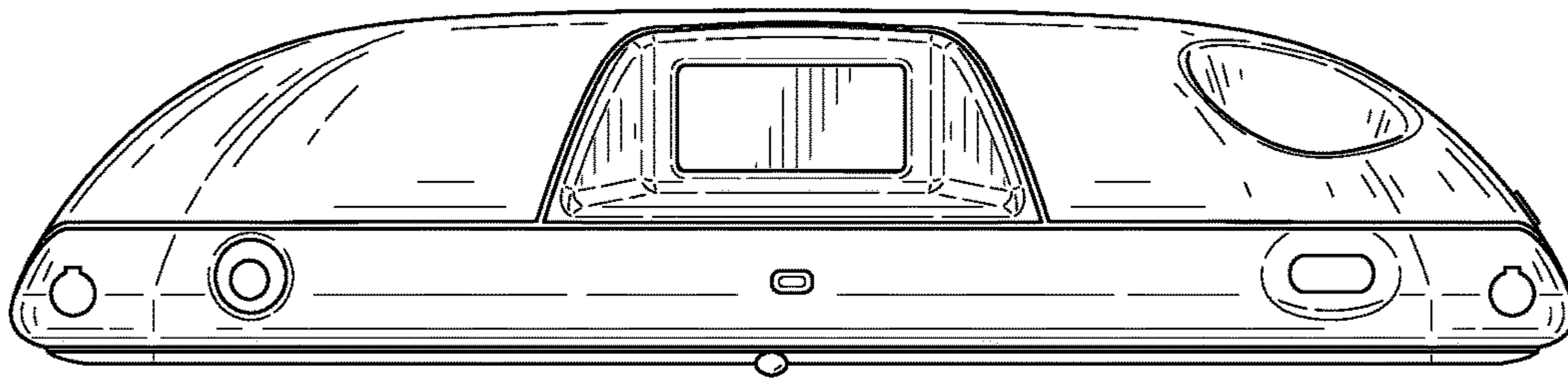


FIG. 6

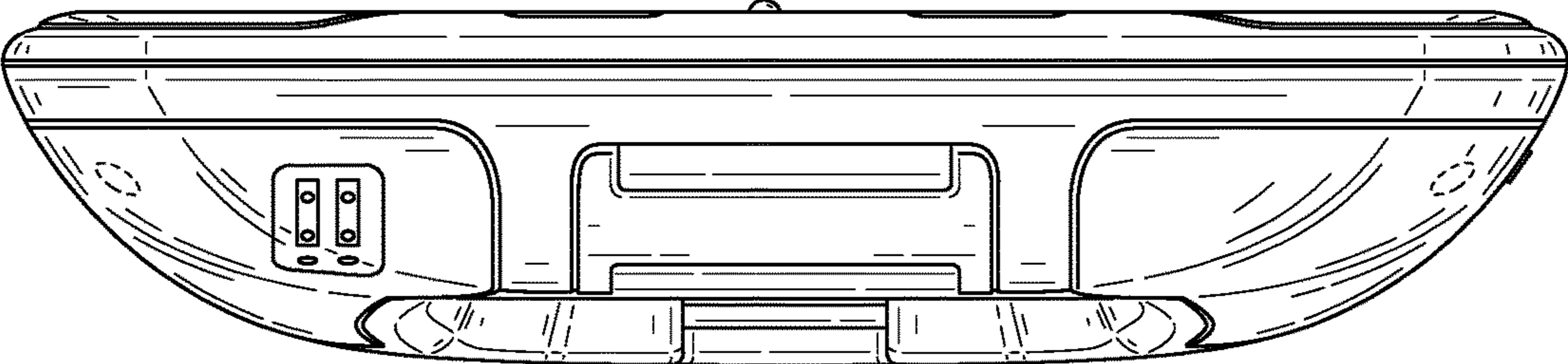


FIG. 7

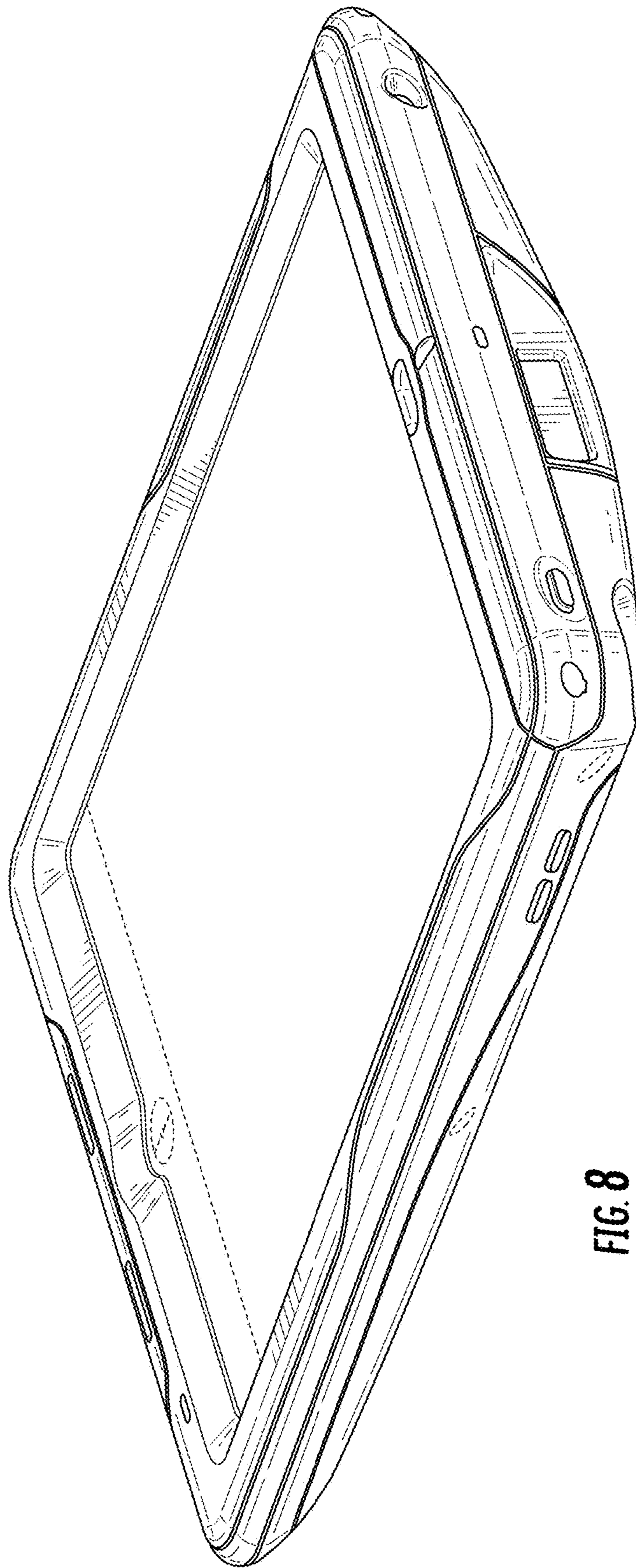


FIG. 8

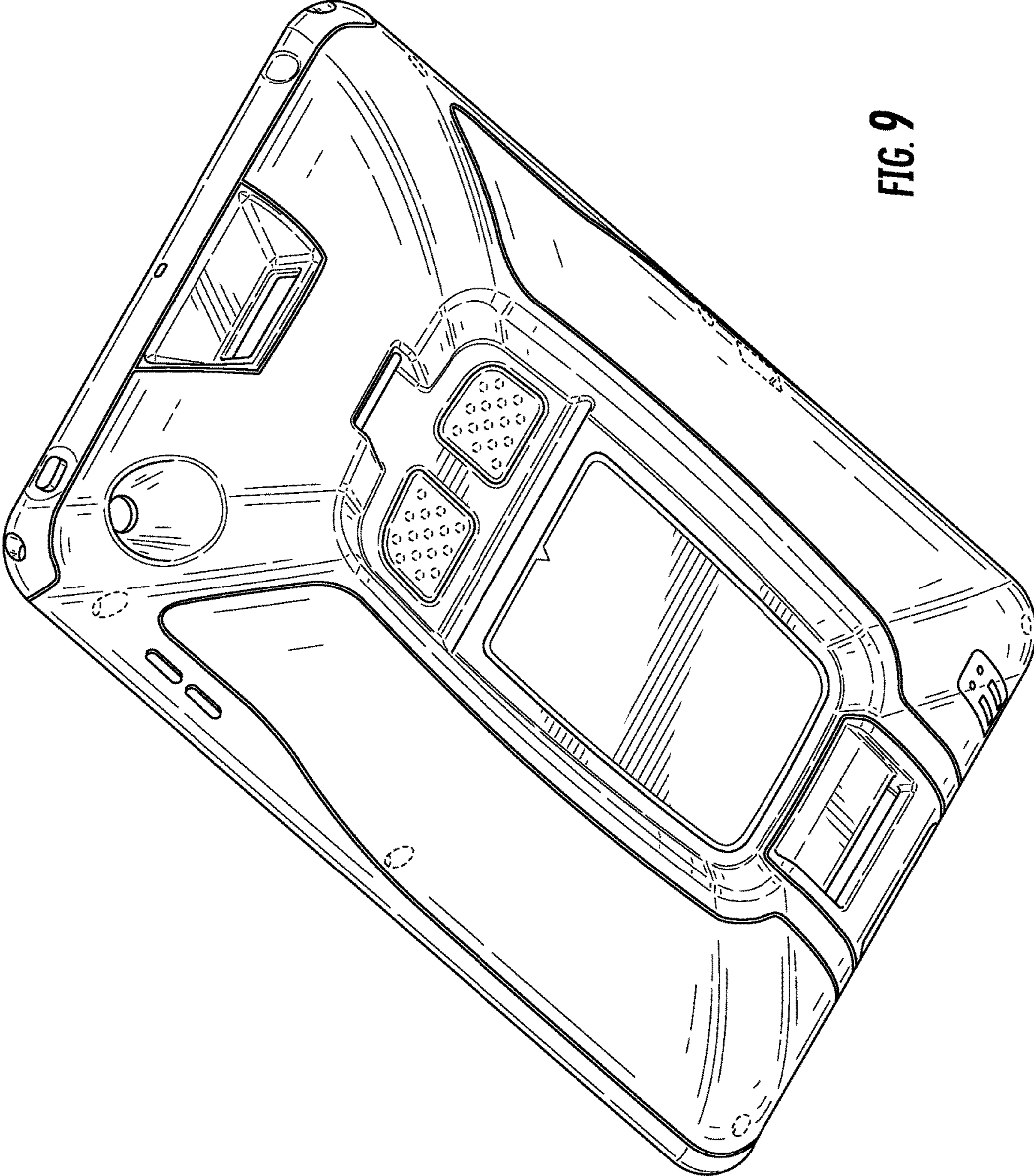


FIG. 9

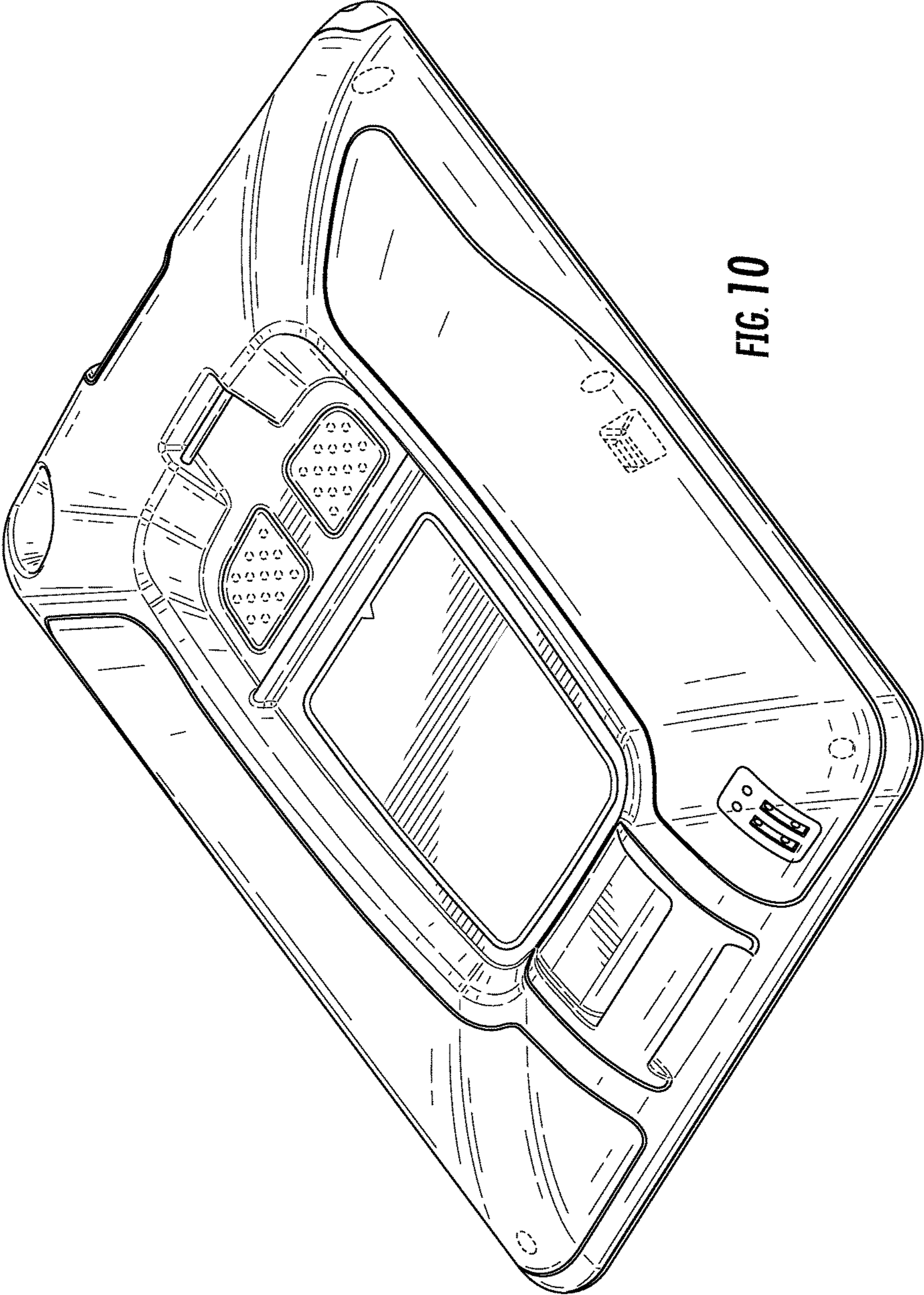


FIG. 10