



US00D785633S

(12) **United States Design Patent**
Komuro

(10) **Patent No.:** **US D785,633 S**

(45) **Date of Patent:** **** May 2, 2017**

(54) **SIGNAL CONVERTER**

(71) Applicant: **YAMAHA CORPORATION,**
Hamamatsu-shi (JP)

(72) Inventor: **Risa Komuro,** Hamamatsu (JP)

(73) Assignee: **YAMAHA CORPORATION,**
Hamamatsu-shi (JP)

(**) Term: **15 Years**

(21) Appl. No.: **29/559,359**

(22) Filed: **Mar. 28, 2016**

(30) **Foreign Application Priority Data**

Sep. 29, 2015 (JP) 2015-021275

(51) **LOC (10) Cl.** **14-02**

(52) **U.S. Cl.**
USPC **D14/433**

(58) **Field of Classification Search**
USPC D14/356, 432-434, 453, 454, 511, 203.8,
D14/209.1, 238.1, 240, 125; 439/638,
439/928, 105, 502; 710/303, 304;
361/679.41, 679.55, 679.56; D13/110,
D13/133, 146

CPC H01R 24/64; H01R 24/62; H01R 12/714;
H01R 13/506; H01R 13/6658

See application file for complete search history.

(56) **References Cited**

U.S. PATENT DOCUMENTS

D599,800 S * 9/2009 Klein D14/433
D629,805 S * 12/2010 Nysen D13/147

D675,571 S * 2/2013 Suzuki D13/147
D723,565 S * 3/2015 Kujawski D14/411
D727,907 S * 4/2015 Higashi D14/433
D731,489 S * 6/2015 Langhammer D14/433
D733,142 S * 6/2015 Solomon D14/433
D743,965 S * 11/2015 Laffon de Mazieres D13/154
D760,720 S * 7/2016 Laffon de Mazieres D14/433
D761,262 S * 7/2016 Solomon D14/433

* cited by examiner

Primary Examiner — Austin Murphy

(74) *Attorney, Agent, or Firm* — Sughrue Mion, PLLC

(57) **CLAIM**

The ornamental design for a signal converter, as shown and described.

DESCRIPTION

FIG. 1 is a perspective view of the front, top and left side of a signal converter showing my new design;

FIG. 2 is a perspective view of the rear, bottom and right side thereof;

FIG. 3 is a front view thereof;

FIG. 4 is a rear view thereof;

FIG. 5 is a left side view thereof;

FIG. 6 is a right side view thereof;

FIG. 7 is a top plan view thereof; and,

FIG. 8 is a bottom view thereof.

The broken line showing the signal converter is included for the purpose of illustrating portions of the signal converter and forms no part of the claimed design.

1 Claim, 8 Drawing Sheets

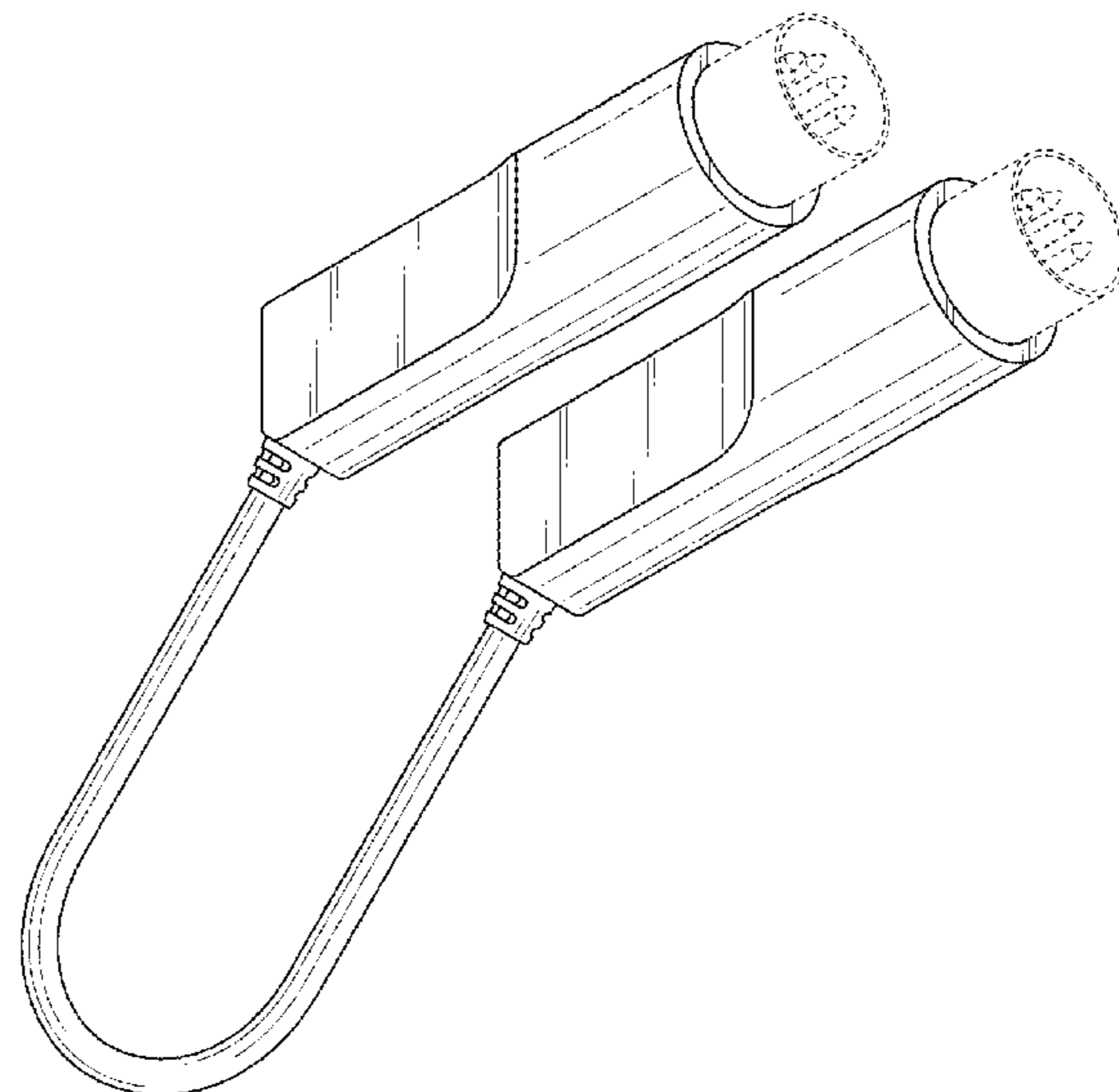
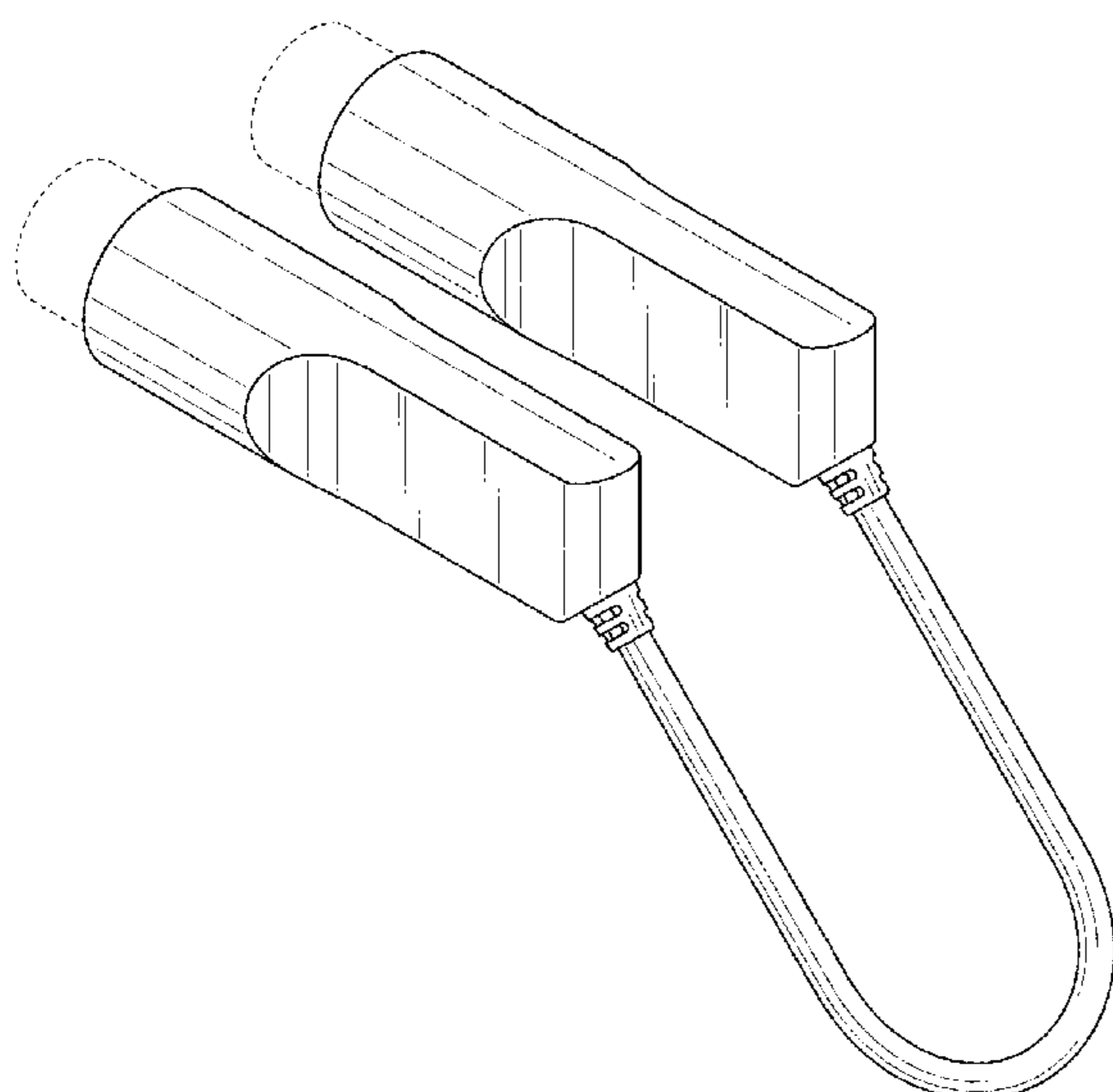


Fig. 1

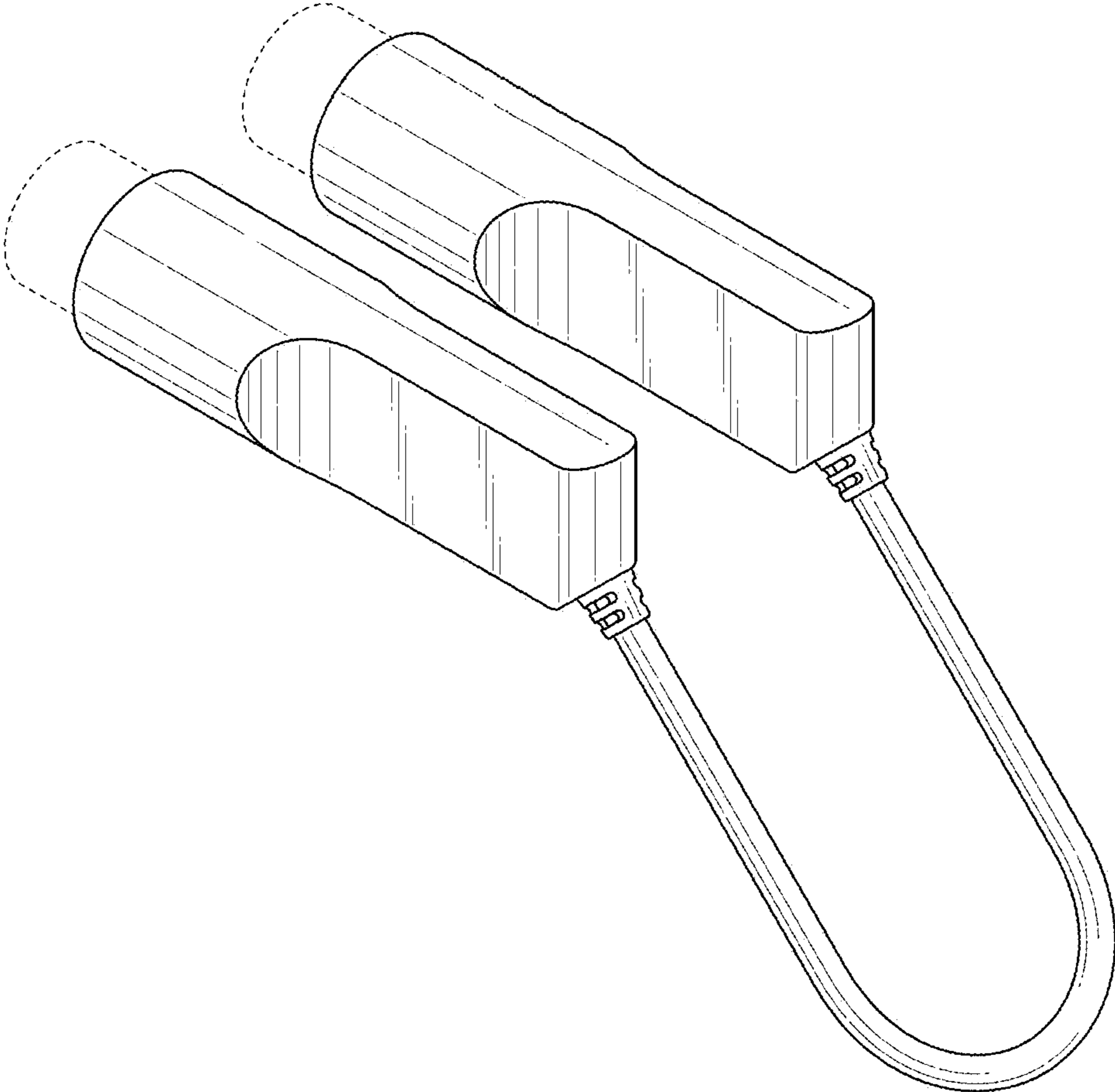


Fig. 2

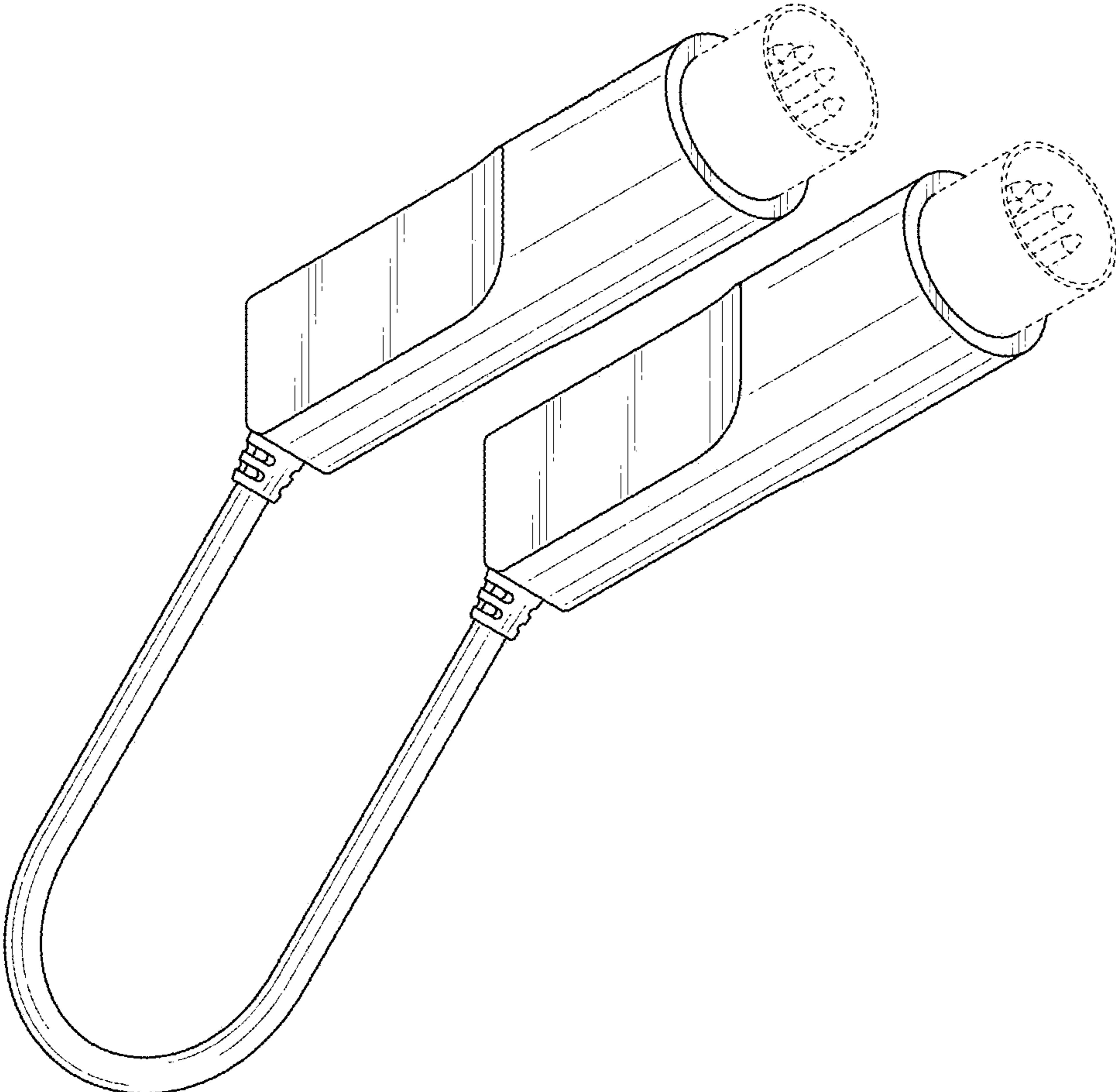


Fig. 3

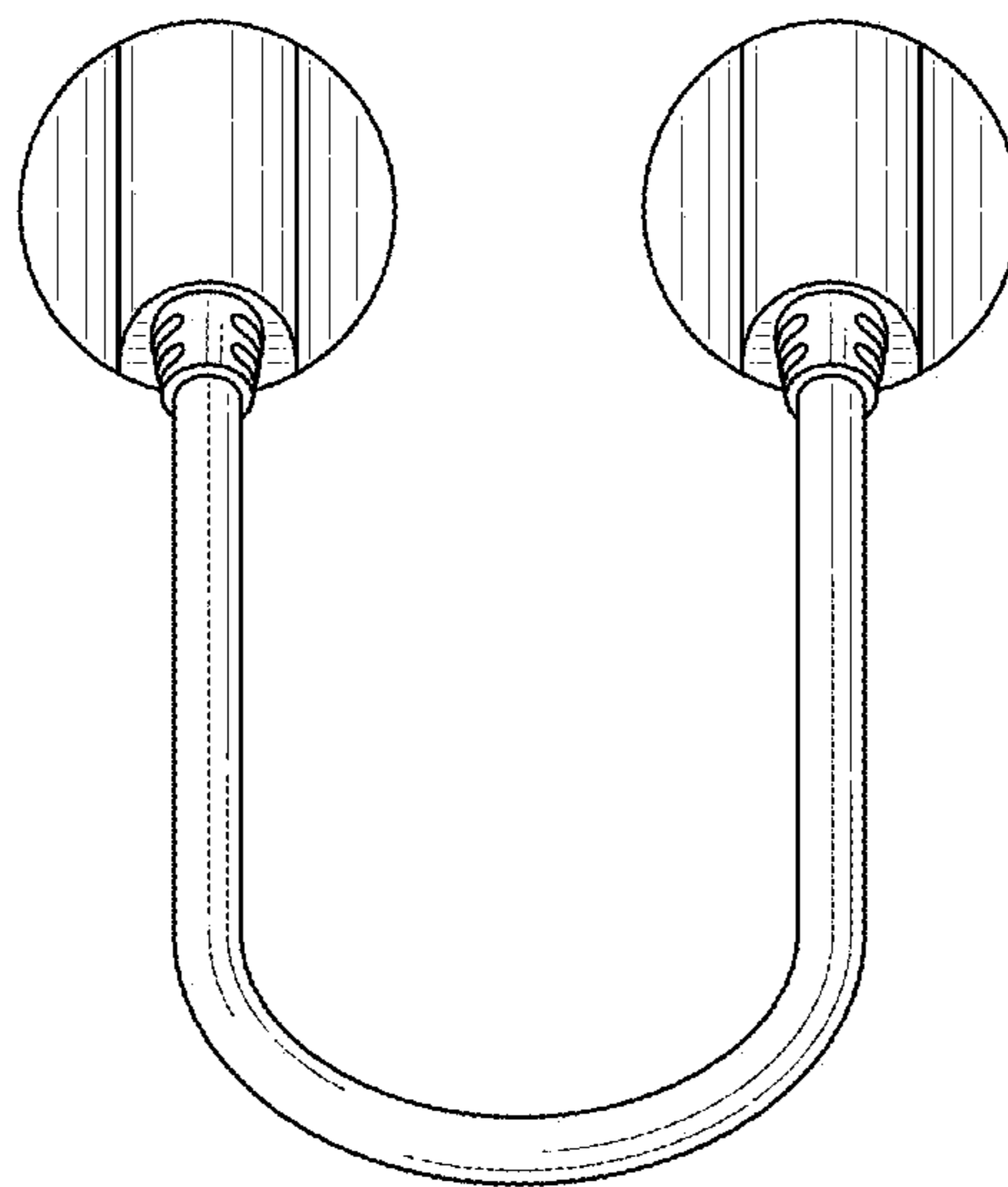


Fig. 4

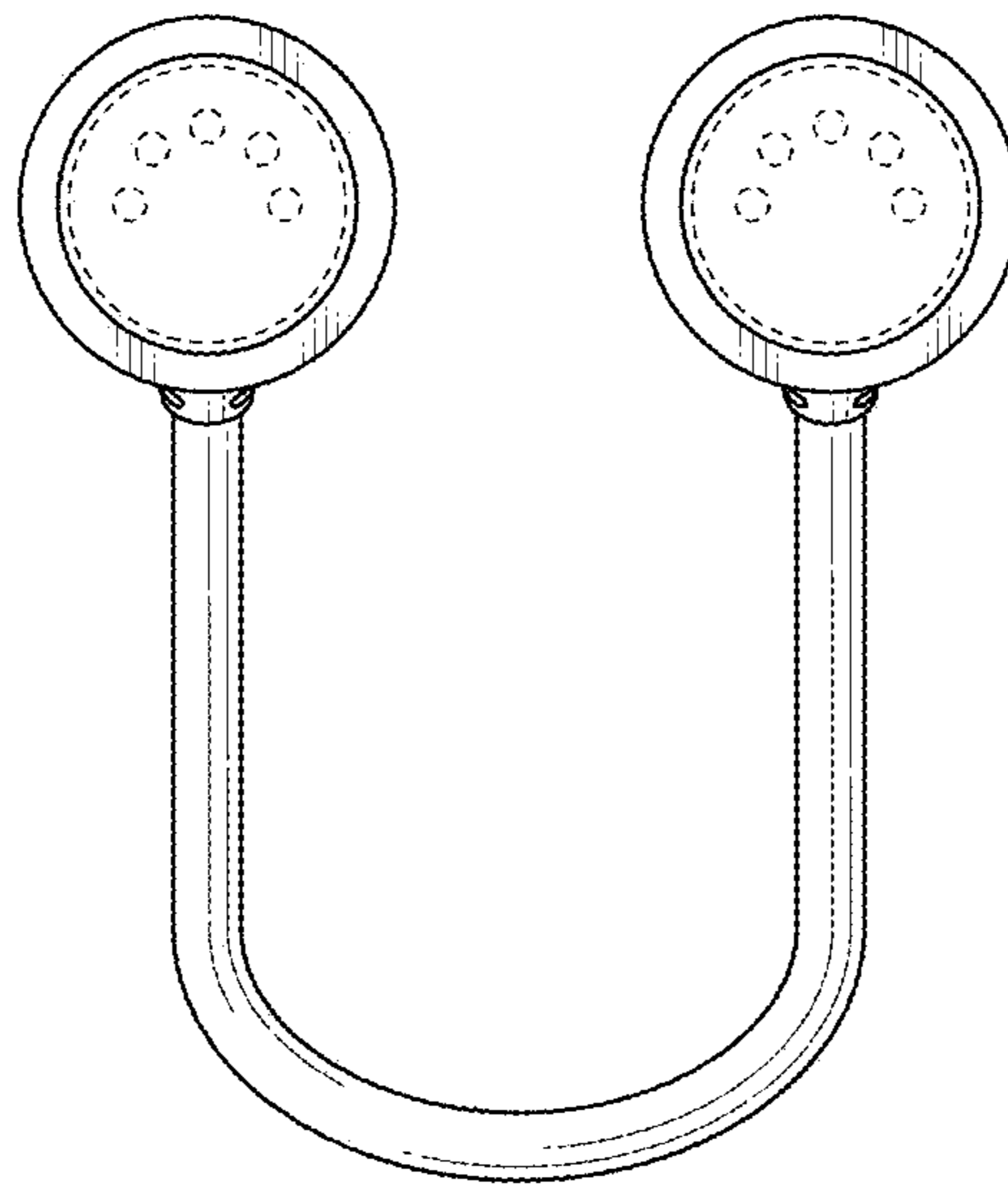


Fig. 5

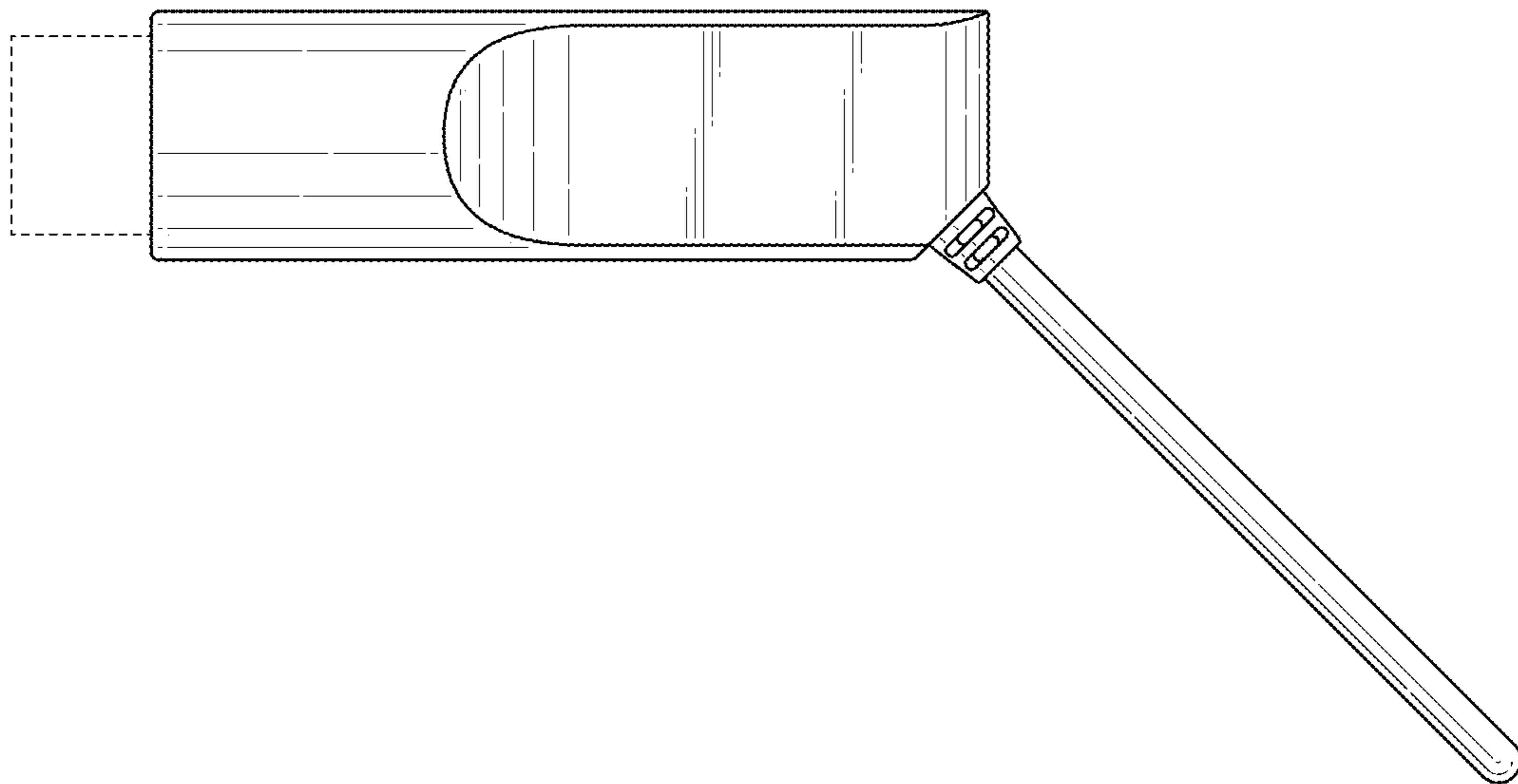


Fig. 6

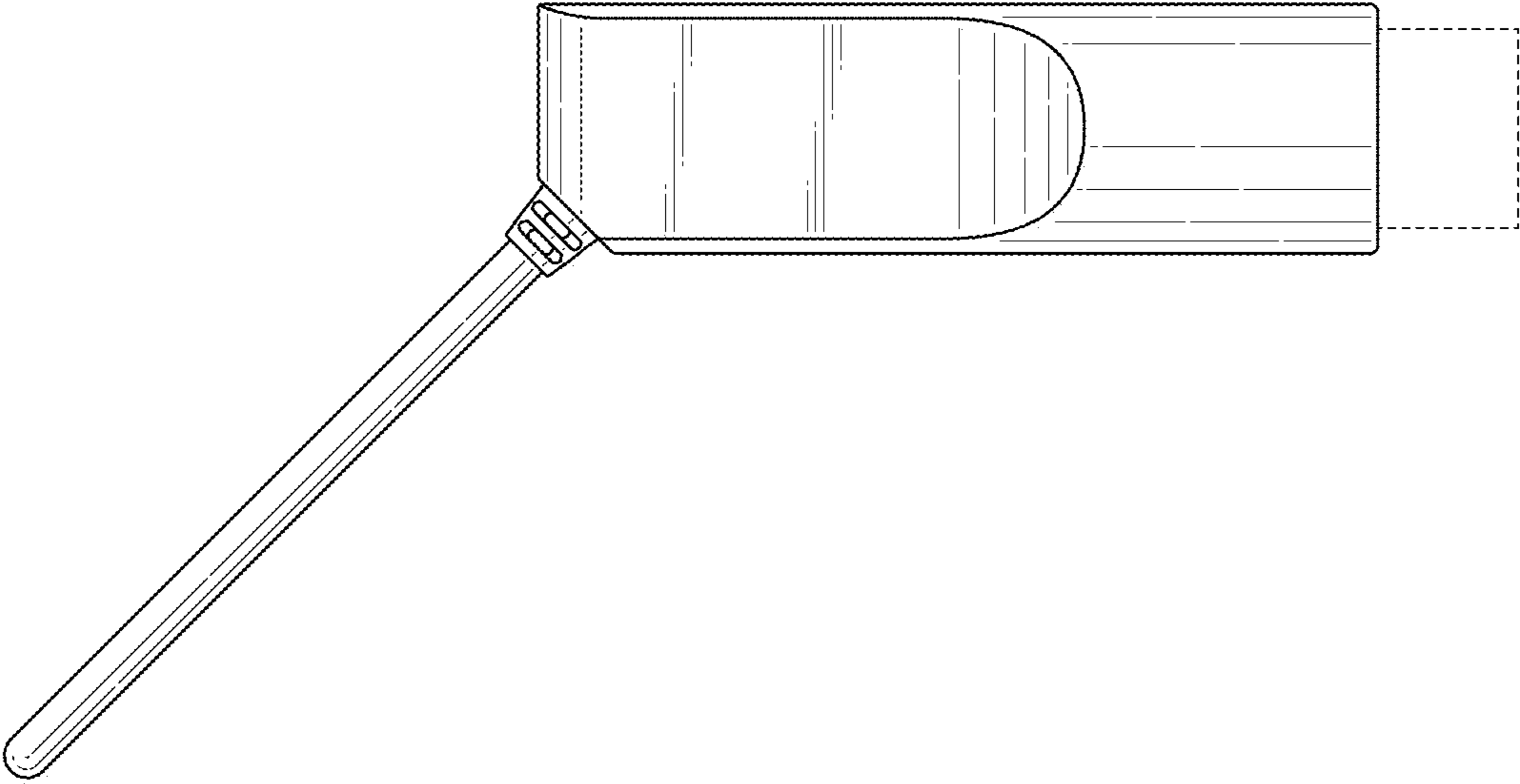


Fig. 7

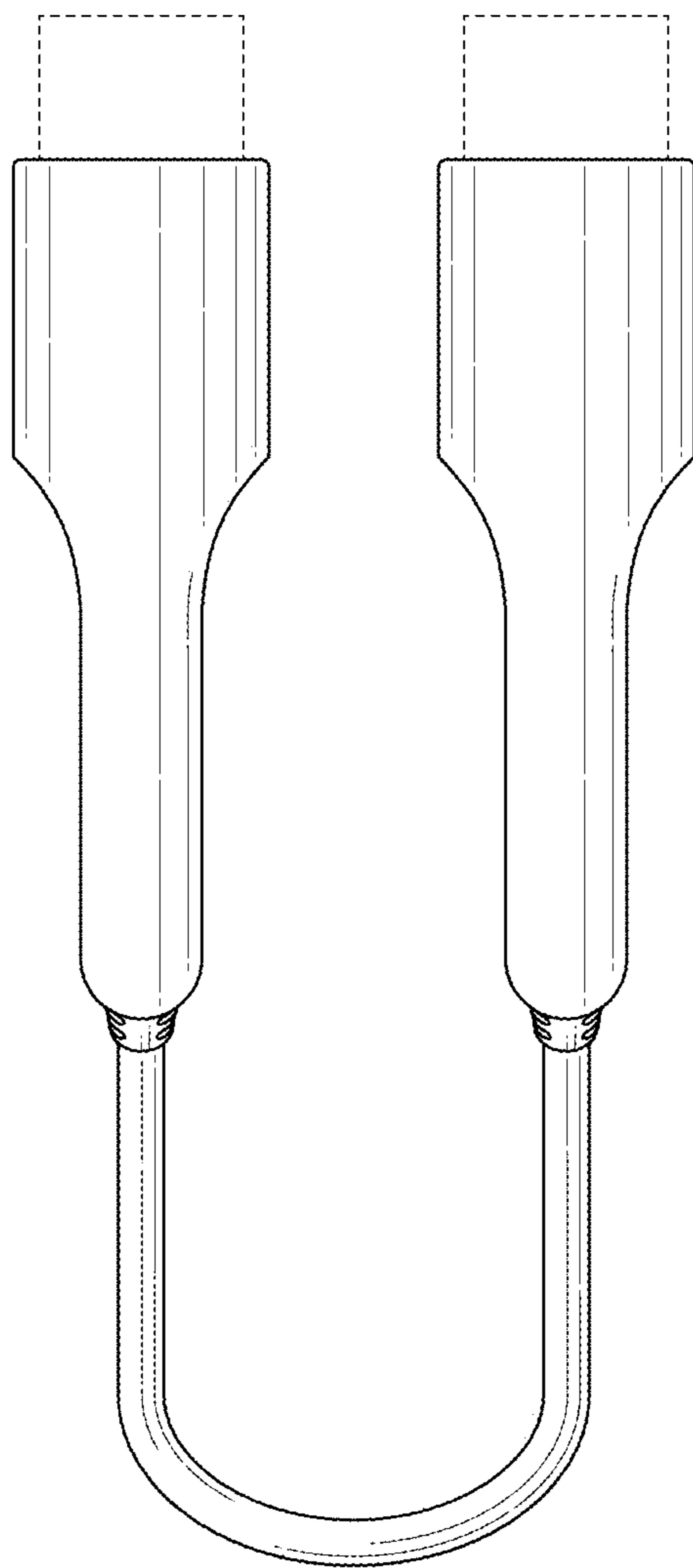


Fig. 8

