



US00D785631S

(12) **United States Design Patent**
Fujiuchi et al.

(10) **Patent No.: US D785,631 S**

(45) **Date of Patent: ** May 2, 2017**

(54) **IMAGE SENSOR**

(71) Applicant: **MITSUBISHI ELECTRIC CORPORATION**, Tokyo (JP)

(72) Inventors: **Akiko Fujiuchi**, Tokyo (JP); **Atsushi Ito**, Tokyo (JP); **Kazuya Makabe**, Tokyo (JP); **Masaki Wakisaka**, Tokyo (JP)

(73) Assignee: **Mitsubishi Electric Corporation**, Tokyo (JP)

(**) Term: **15 Years**

(21) Appl. No.: **29/548,638**

(22) Filed: **Dec. 15, 2015**

(30) **Foreign Application Priority Data**

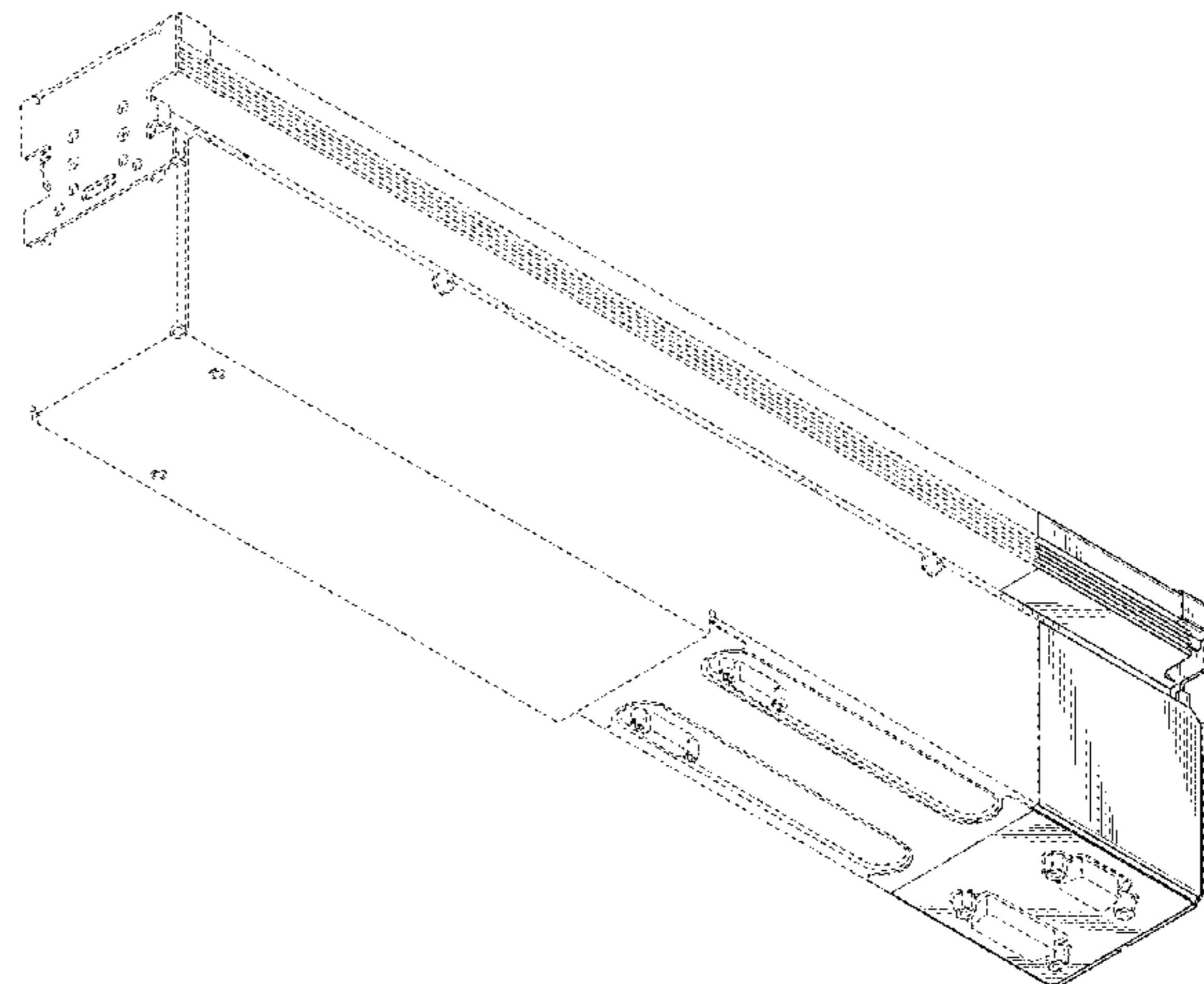
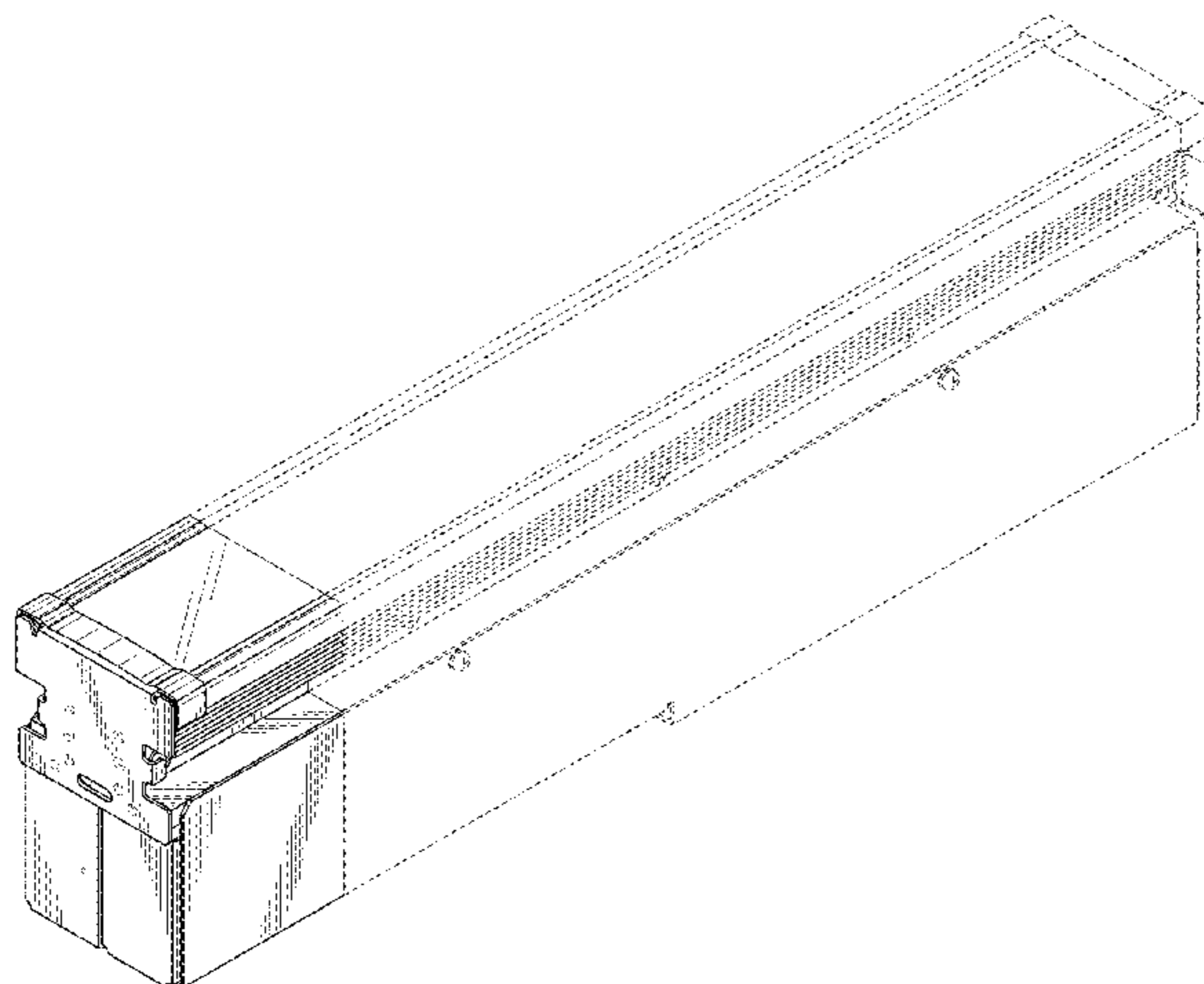
Jun. 18, 2015 (JP) 2015-013493

(51) **LOC (10) Cl.** **14-02**

(52) **U.S. Cl.**
USPC **D14/420**; D14/421; D14/453

(58) **Field of Classification Search**
USPC D14/421-425, 420; D18/55, 49, 46, 40, D18/36-39, 41, 44, 45, 47, 48, 50-54, D18/56; 235/462, 455, 470, 462.43, 482, 235/483, 462.21, 472.01, 435, 439, 440, 235/446, 454, 461, 462.32, 462.35, 235/462.41, 462.42, 463; 358/474, 486, 358/488, 496, 497, 498, 452, 449, 451, 358/453, 1.13; 318/685, 696; 355/81, 355/75; 399/405, 367, 379, 380; 382/217; 715/209, 222, 226, 274; 400/613, 613.1-613.4, 690.1-690.4, 400/691-694; D26/1-3, 24, 56, 72, D26/74-86, 88-91, 25; D13/180, 182; 362/150, 217.01-217.09, 217.1, 217.12, 362/217.13, 260, 364, 365, 366, 404, 555, 362/576, 800, 14, 148, 296.01

CPC .. D07G 1/0036; D07G 1/0045; D07G 1/0063; D07G 1/0072; D07G 1/009; G08B 13/1427; G08B 13/1472; G08B 13/1481; G08B 13/194; G08B 13/246; G08B 13/2462; G08B 13/2465; A47F 9/04; A47F 9/046; A47F 9/047; A47F 9/048; A47F 10/02; A47F 2010/005; A47F 2010/025; G06K 7/10693; G06K 7/10712; G06K 7/10722; G06K 7/10792; G06K 7/10801; G06K 7/10811; G06K 7/10831; G06K 7/10851; G06K 7/10861; G06K 7/1096; G06K 7/1097; G06K 7/1098; G06K 7/12; G06K 7/14; G06K 7/1408; G06K 7/1413; G06K 7/1417; G06K 7/1421; G06K 7/1426; G06K 7/143; G06K 7/1434; G06K 7/1439; G06K 7/1443; G06K 7/1447; G06K 7/1452; G06K 7/1456; G06K 7/146; G06K 7/1465; G06K 7/1469; G06K 7/1473; G06K 7/1478; G06K 7/1482; G06K 7/1486; G06K 2007/10485; G06K 7/10544-7/10762; G06K 7/10821-7/10871; G06K 7/1404-7/1495; G06K 2207/00; G06K 2207/1011-2207/1018; G01G 19/4144; G01G 21/22; G01G 21/28; G01G 23/32; G01G 23/34; G01G 23/35; G01G 23/375; G01G 23/38; G01G 23/44; G07G 1/0063; G07G 1/0072; G07G 3/006; G02B 5/09; G02B 6/00; G06T 2211/00; H04N 1/0313-1/032; H04N 1/02815-1/0895; H04N 1/0249; H04N 1/02481; H04N 1/00; H04N 1/12; H04N 1/00013; H04N 1/00015; H04N 1/00018; H04N 1/00026; H04N 1/00557; H04N 1/00564; H04N 1/00567; H04N 1/0057; H04N 1/00572; H04N 1/00586; H04N 1/00588; H04N 1/00591; H04N 1/00594; H04N 1/00596; H04N 1/00604; H04N 1/00519; H04N 1/00559; H04N 1/00551; H04N 1/00278; H04N 1/1013; H04N 1/10; H04N 5/2251-5/2256; H04N 2201/02456; H04N 2201/02458; H04N 2201/02462; H04N 2201/03468; H04N 2201/02485; H04N



2201/0249; H04N 2201/02481; H04N
2201/0456; H04N 2201/0446; H04N
2201/00; H04N 2201/0094; H01L
27/14618–27/14643; H01L 27/14649;
H01L 27/14652; H01L
27/14658–27/1467; H01L
31/0232–31/02327; H01L 31/1055; H01L
31/14; G03G 15/0142; G03G 15/605;
G03G 15/602; F21S 2/00; F21S 4/00;
F21S 4/003; F21S 4/005; F21S 4/006;
F21S 4/007; F21S 4/008; F21S 6/00;
F21S 8/00; F21S 8/024; F21S 8/026;
F21S 8/031; F21S 8/033; F21S
8/035–8/037; F21S 8/04; F21S 8/043;
F21S 8/063

See application file for complete search history.

(56)

References Cited

U.S. PATENT DOCUMENTS

D177,347 S * 4/1956 Oster D26/76
D189,431 S * 12/1960 Bibb et al. D26/76
D206,286 S * 11/1966 Ostyn D26/71
4,581,657 A * 4/1986 Takano H04N 1/03
250/239
4,634,884 A * 1/1987 Hayashimoto H04N 5/2259
250/208.1
5,142,137 A * 8/1992 Kushino H04N 1/0286
250/208.1
5,194,725 A * 3/1993 Sawase H04N 1/0312
250/208.1
5,254,847 A * 10/1993 Hata H04N 1/0312
250/208.1
5,280,364 A * 1/1994 Kihara H04N 1/0312
250/208.1
5,317,146 A * 5/1994 Isobe H04N 1/0312
250/208.1
D348,947 S * 7/1994 Holcomb D26/76
5,381,243 A * 1/1995 Imamura H04N 1/028
24/3.1
5,434,681 A * 7/1995 Imamura H04N 1/031
250/208.1
5,434,682 A * 7/1995 Imamura H04N 1/0312
250/208.1
5,489,992 A * 2/1996 Endo H04N 1/031
250/208.1
D387,462 S * 12/1997 Huang D26/76
5,780,840 A * 7/1998 Lee H04N 1/031
250/208.1
5,859,421 A * 1/1999 Onishi H04N 1/0314
250/208.1
5,945,664 A * 8/1999 Ogura H04N 1/031
250/208.1
5,949,062 A * 9/1999 Matsumoto H04N 1/0312
250/208.1
6,014,231 A * 1/2000 Sawase H04N 1/02865
250/208.1
6,166,832 A * 12/2000 Fujimoto H04N 1/0312
358/474
6,239,421 B1 * 5/2001 Nagata H04N 1/02835
250/208.1
6,295,141 B1 * 9/2001 Ogura H04N 1/02835
358/475
6,320,681 B1 * 11/2001 Yushiya H04N 1/0312
358/475
6,326,602 B1 * 12/2001 Tabata G02B 6/0001
250/208.1
6,360,030 B1 * 3/2002 Kawai H04N 1/031
358/484
6,496,285 B1 * 12/2002 Fujimoto H04N 1/02815
358/475

6,501,087 B1 * 12/2002 Koretsune G07D 7/121
250/208.1
6,558,024 B2 * 5/2003 Hoki H04N 1/02865
250/208.1
6,563,609 B1 * 5/2003 Hattori G02B 3/02
358/474
6,724,503 B1 * 4/2004 Sako H01L 27/14623
250/208.1
D504,190 S * 4/2005 Keller D26/76
6,917,453 B1 * 7/2005 Onishi H04N 1/031
250/208.1
6,952,273 B1 * 10/2005 Fujimoto H04N 1/024
358/1.1
6,952,289 B1 * 10/2005 Fujimoto H04N 1/024
250/208.1
D520,667 S * 5/2006 Jae-Sung D26/25
7,095,003 B2 * 8/2006 Matsumoto H04N 1/0312
250/208.1
D536,819 S * 2/2007 Krahe, II D26/75
D569,027 S * 5/2008 Hakamada D26/76
7,385,169 B2 * 6/2008 Saitou H04N 1/0318
250/208.1
7,555,194 B2 * 6/2009 Ikeda H04N 1/02815
359/475
7,738,146 B2 * 6/2010 Osakabe H04N 1/0313
358/474
7,802,899 B2 * 9/2010 Ikeda H04N 1/02815
358/484
D626,267 S * 10/2010 Ng D26/76
D629,553 S * 12/2010 Gielen D26/76
7,924,478 B2 * 4/2011 Kim G02B 6/0038
358/474
7,978,379 B2 * 7/2011 Fujiuchi H04N 1/02815
358/475
D662,245 S * 6/2012 Steffy D26/75
8,576,460 B2 * 11/2013 Takeda H04N 1/0306
358/474
D695,942 S * 12/2013 Ng D26/75
8,599,448 B2 * 12/2013 Qi G07D 7/122
358/474
D701,343 S * 3/2014 Ng D26/76
D709,636 S * 7/2014 Murata D26/72
8,786,913 B2 * 7/2014 Sasaki H04N 1/02855
358/474
D732,226 S * 6/2015 Hartman D26/76
9,065,961 B2 * 6/2015 Shimoda H04N 1/02815
D735,392 S * 7/2015 Ng D26/76
9,160,879 B2 * 10/2015 Suto H04N 1/02815
D766,487 S * 9/2016 Cai D26/76
2002/0015193 A1 * 2/2002 Tabata H04N 1/031
358/475
2002/0030858 A1 * 3/2002 Nagata H04N 1/031
358/474
2003/0117660 A1 * 6/2003 Matsumoto H04N 1/0318
358/400
2005/0006562 A1 * 1/2005 Sugihara H01L 27/14678
250/208.1
2005/0206800 A1 * 9/2005 Wakisaka H04N 1/02815
349/58
2005/0230853 A1 * 10/2005 Yoshikawa H01L 24/32
257/81
2006/0033807 A1 * 2/2006 Terumoto B41J 2/45
347/256
2006/0081763 A1 * 4/2006 Sawada H04N 1/028
250/208.1
2006/0152772 A1 * 7/2006 Sawada H04N 1/1013
358/474
2007/0285740 A1 * 12/2007 Onishi H04N 1/02815
358/475
2007/0297020 A1 * 12/2007 Shen H04N 1/02865
358/474
2008/0099770 A1 * 5/2008 Mendendorp H01L 33/64
257/79
2008/0121783 A1 * 5/2008 Amano H04N 1/0083
250/208.1

2008/0179493 A1* 7/2008 Nagao H04N 1/00909
250/208.1
2008/0192306 A1* 8/2008 Lee H04N 1/02835
358/483
2009/0034024 A1* 2/2009 Kim H04N 1/02815
358/475
2009/0034297 A1* 2/2009 Tahk H04N 1/02815
362/634
2009/0135453 A1* 5/2009 Wakisaka H04N 1/0318
358/474
2009/0294630 A1* 12/2009 Saito H04N 1/0318
250/208.1
2010/0195166 A1* 8/2010 Sawada H01L 27/14629
358/475
2012/0162727 A1* 6/2012 Shimoda H04N 1/02481
358/475
2012/0194878 A1* 8/2012 Nakamura H04N 1/0318
358/471
2012/0206750 A1* 8/2012 Murray H04N 1/00525
358/1.13
2012/0218746 A1* 8/2012 Winton H05B 33/0806
362/219
2012/0318961 A1* 12/2012 Sawada H04N 1/0318
250/208.1
2013/0038913 A1* 2/2013 Shimoda G07D 7/121
358/474
2013/0038914 A1* 2/2013 Yoshida H04N 1/0285
358/474
2013/0181311 A1* 7/2013 Sugiyama H04N 1/193
257/432
2013/0222918 A1* 8/2013 Nemoto G03G 15/04054
359/622
2013/0250373 A1* 9/2013 Takeuchi H04N 1/0285
358/474
2013/0265617 A1* 10/2013 Murakami G02B 6/0001
358/448
2013/0265618 A1* 10/2013 Kobayashi H04N 1/00557
358/475
2013/0314756 A1* 11/2013 Amemiya F21V 13/04
358/497
2014/0014819 A1* 1/2014 Yoshida G02B 6/0096
250/208.1
2014/0111835 A1* 4/2014 Ozawa H04N 1/028
358/475
2014/0198355 A1* 7/2014 Miwa H04N 1/0318
358/482
2015/0015924 A1* 1/2015 Fujiuchi H04N 1/02835
358/474
2015/0062670 A1* 3/2015 Yoshida G02B 6/0096
358/482
2015/0070735 A1* 3/2015 Lu H04N 1/02855
358/482

2015/0136951 A1* 5/2015 Ohama H04N 1/02815
250/208.1
2015/0156372 A1* 6/2015 Aramaki H04N 1/02835
358/447
2015/0271354 A1* 9/2015 Imoto G02B 27/0966
362/308
2015/0316706 A1* 11/2015 Fujiuchi H04N 1/02835
358/482
2015/0381848 A1* 12/2015 Matsui H04N 1/02835
358/482
2016/0006898 A1* 1/2016 Tsumekawa H04N 1/02835
358/484
2016/0037011 A1* 2/2016 Fujiuchi H04N 1/0315
358/471
2016/0133661 A1* 5/2016 Fujiuchi H04N 1/0318
257/432
2016/0261763 A1* 9/2016 Fujiuchi H04N 1/0315

* cited by examiner

Primary Examiner — Susan Moon Lee
(74) *Attorney, Agent, or Firm* — Stuebaker & Brackett
PC

(57) **CLAIM**

The ornamental design for an image sensor, as shown and described.

DESCRIPTION

FIG. 1 is a front perspective view of the front, left, and top sides of an image sensor showing our new design;
FIG. 2 is a rear perspective view of the rear, right, and bottom sides thereof;
FIG. 3 is a front view thereof;
FIG. 4 is a rear view thereof;
FIG. 5 is a left side view thereof;
FIG. 6 is a right side view thereof;
FIG. 7 is a top plan view thereof; and,
FIG. 8 is a bottom view thereof.
Broken lines and unshaded portions contained within broken lines depict exemplary elements of the image sensor that are shown for illustrative purposes only and that form no part of the claimed design. The dash-dot lines represent the boundary between the claimed design and unclaimed design.

1 Claim, 8 Drawing Sheets

FIG. 1

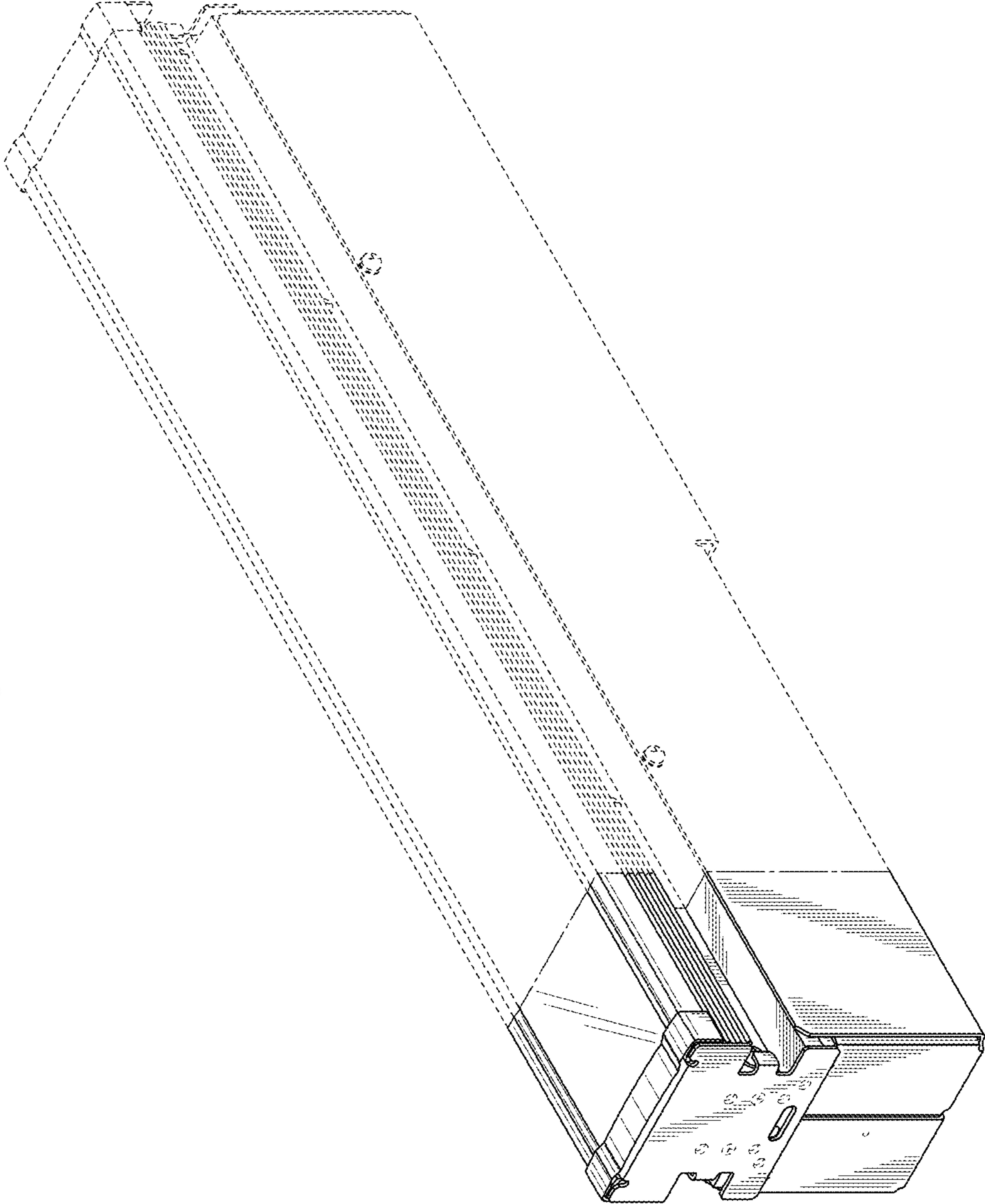


FIG. 2

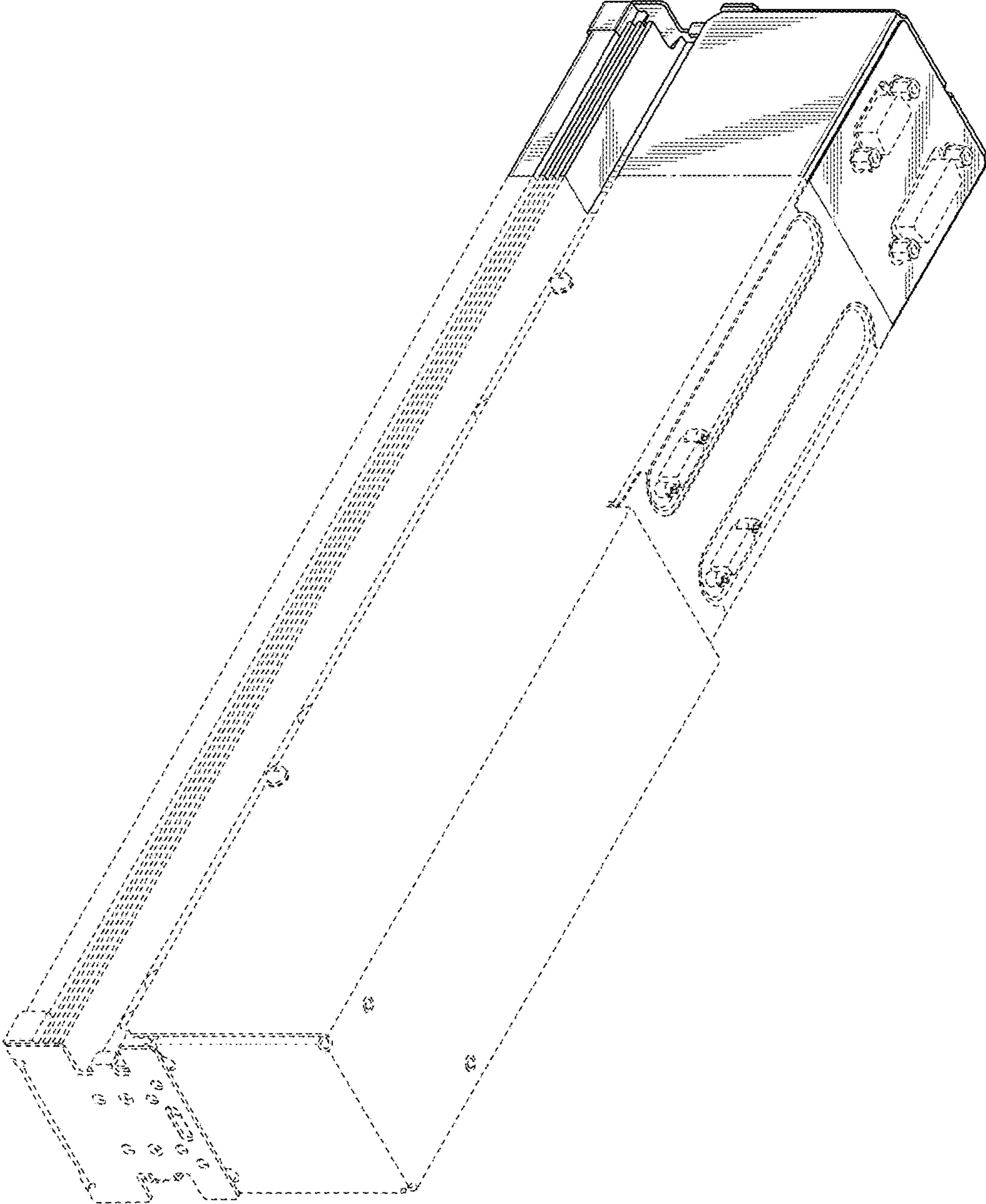


FIG. 3

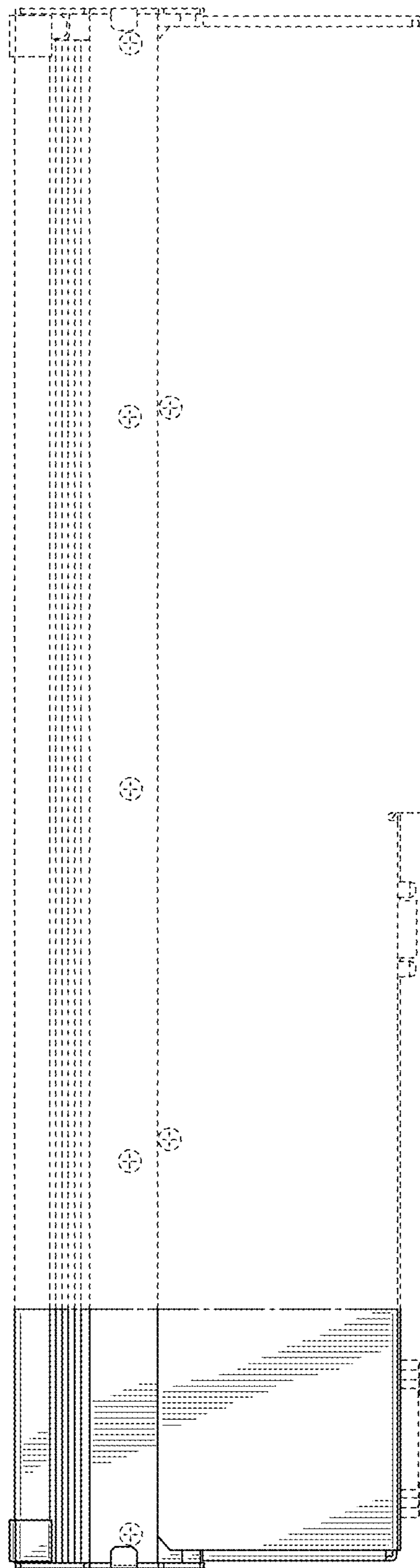


FIG. 4

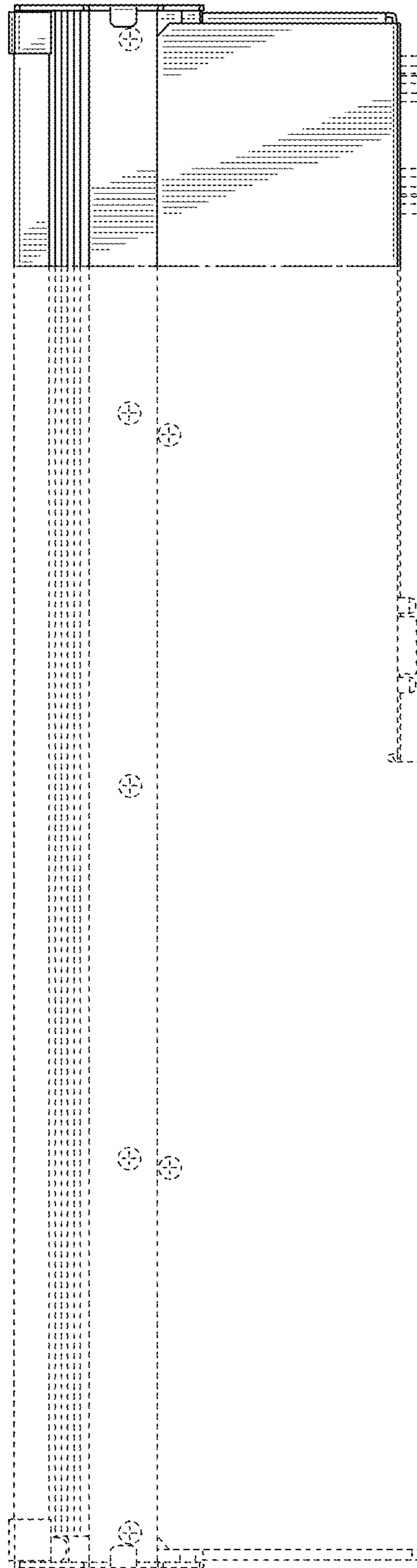


FIG. 5

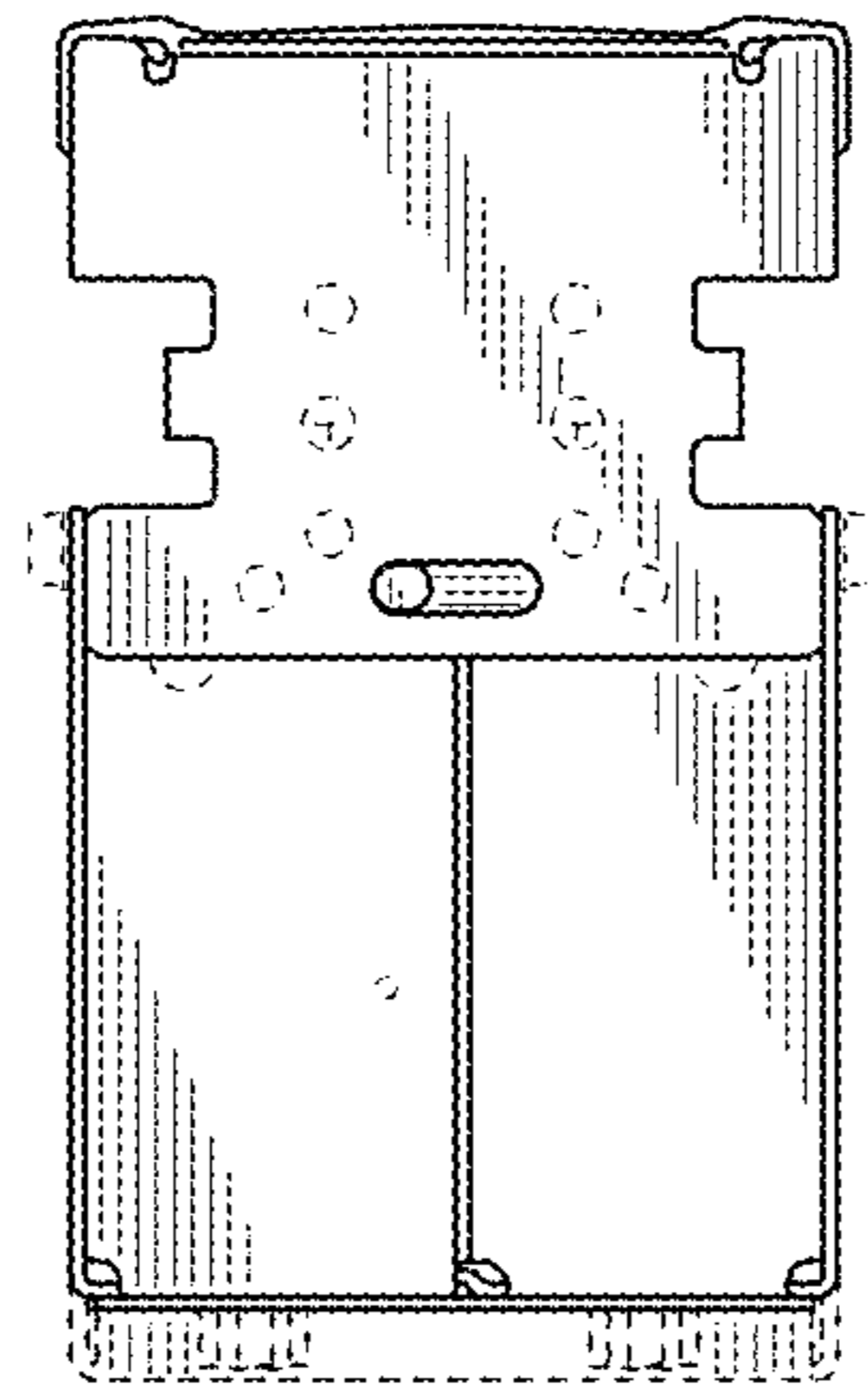


FIG. 6

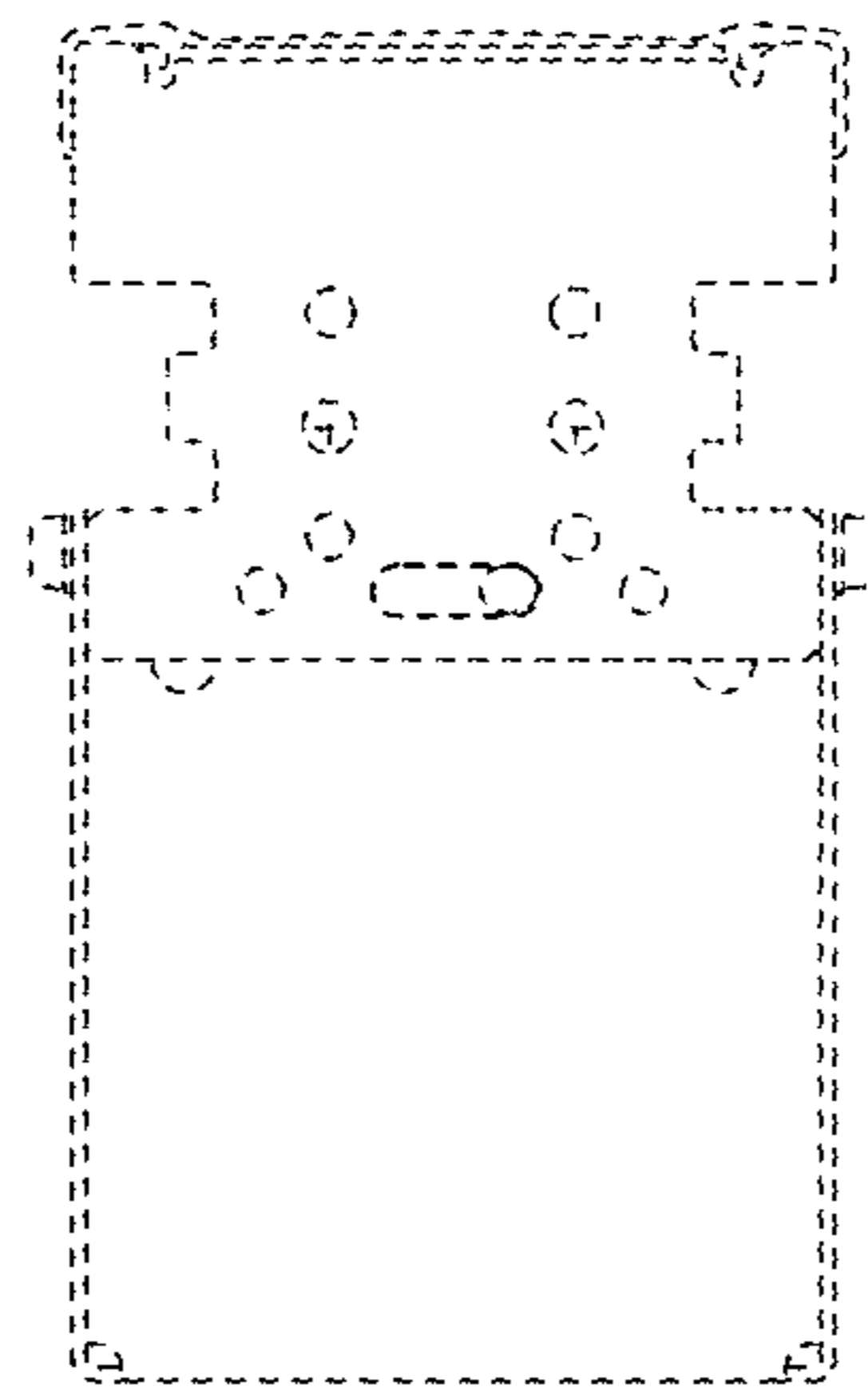


FIG. 7

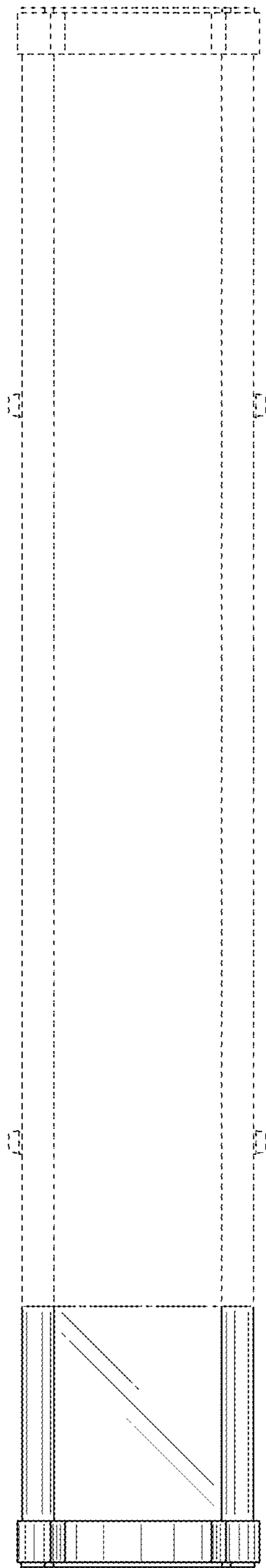


FIG. 8

