



US00D785630S

(12) **United States Design Patent** (10) **Patent No.:** **US D785,630 S**  
**Fujiuchi et al.** (45) **Date of Patent:** **\*\* May 2, 2017**

(54) **IMAGE SENSOR**

(71) Applicant: **MITSUBISHI ELECTRIC CORPORATION**, Tokyo (JP)  
 (72) Inventors: **Akiko Fujiuchi**, Tokyo (JP); **Atsushi Ito**, Tokyo (JP); **Kazuya Makabe**, Tokyo (JP); **Masaki Wakisaka**, Tokyo (JP)

(73) Assignee: **Mitsubishi Electric Corporation**, Tokyo (JP)

(\*\*) Term: **15 Years**

(21) Appl. No.: **29/548,635**

(22) Filed: **Dec. 15, 2015**

(30) **Foreign Application Priority Data**

Jun. 18, 2015 (JP) ..... 2015-013492

(51) **LOC (10) Cl.** ..... **14-02**

(52) **U.S. Cl.**  
USPC ..... **D14/420**; D14/421; D14/453

(58) **Field of Classification Search**  
 USPC ..... D14/421-425, 420; D18/55, 49, 46, 40, D18/36-39, 41, 44, 45, 47, 48, 50-54, D18/56; 235/462.01, 455, 470, 462.43, 235/482, 483, 462.21, 472.01, 435, 439, 235/440, 446, 454, 461, 462.32, 462.35, 235/462.41, 462.42, 463; 358/474, 486, 358/488, 496, 497, 498, 452, 449, 451, 358/453, 1.13, 482, 483, 484, 487, 471, 358/475, 505, 509, 501, 513, 514, 1.9; 318/685, 696; 355/81, 75, 67, 68; 399/405, 367, 379, 380, 220, 221, 49; 382/217, 312, 275, 167; 715/209, 222, 715/226, 274; 400/613, 613.1-613.4, 400/690.1-690.4, 691-694; D26/1-3, 24, D26/56, 72, 74-86, 88-91, 25; D13/180,

(Continued)

(56) **References Cited**

U.S. PATENT DOCUMENTS

4,581,657 A \* 4/1986 Takano ..... H04N 1/03  
 250/239  
 4,634,884 A \* 1/1987 Hayashimoto ..... H04N 5/2259  
 250/208.1

(Continued)

*Primary Examiner* — Susan Moon Lee

(74) *Attorney, Agent, or Firm* — Studebaker & Brackett PC

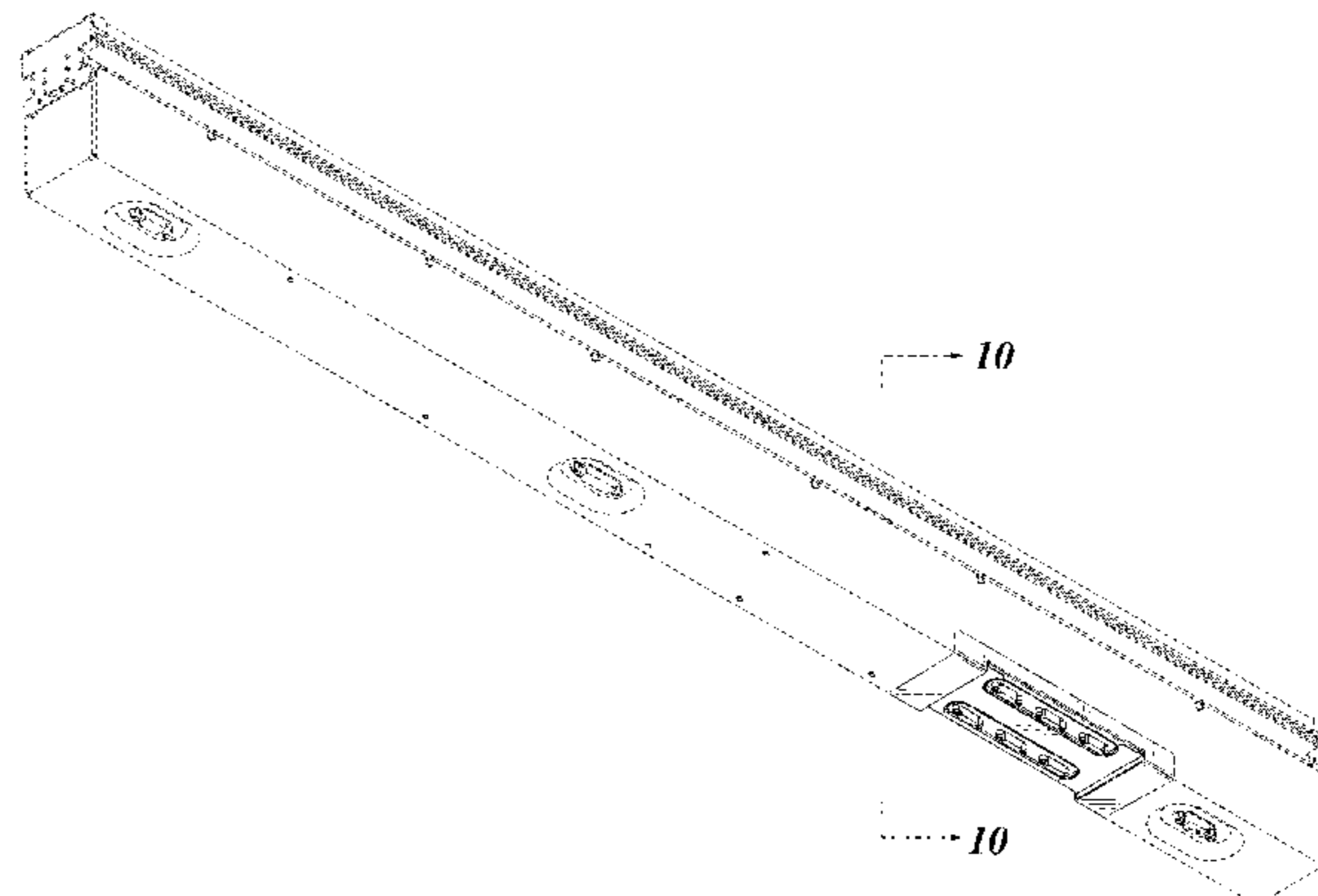
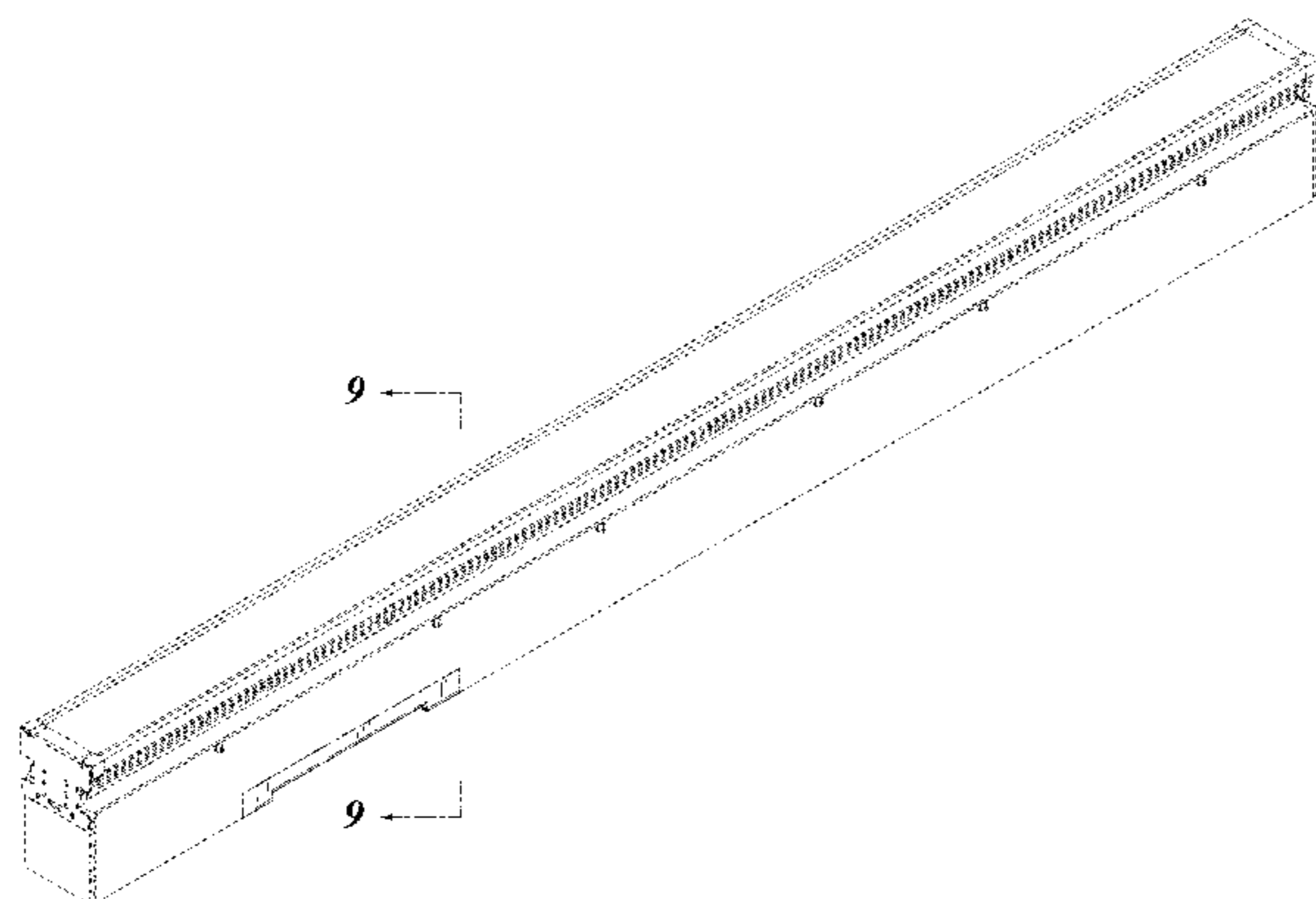
(57) **CLAIM**

The ornamental design for an image sensor, as shown and described.

**DESCRIPTION**

FIG. 1 is a front perspective view of the front, left, and top sides of an image sensor showing our new design;  
 FIG. 2 is a rear perspective view of the rear, right, and bottom sides thereof;  
 FIG. 3 is a front view thereof;  
 FIG. 4 is a rear view thereof;  
 FIG. 5 is a left side view thereof;  
 FIG. 6 is a right side view thereof;  
 FIG. 7 is a top plan view thereof;  
 FIG. 8 is a bottom view thereof;  
 FIG. 9 is an enlarged view at a part 9-9 of FIG. 1;  
 FIG. 10 is an enlarged view at a part 10-10 of FIG. 2;  
 FIG. 11 is an enlarged view at a part 11-11 of FIG. 3; and,  
 FIG. 12 is an enlarged view at a part 12-12 of FIG. 8.  
 Broken lines and unshaded portions contained within broken lines depict exemplary elements of the image sensor that are shown for illustrative purposes only and that form no part of the claimed design. The dash-dot lines represent the boundary between the claimed design and unclaimed design.

**1 Claim, 12 Drawing Sheets**



(58) **Field of Classification Search**

USPC ..... D13/182; 362/150, 217.01–217.09, 362/217.1, 217.12, 217.13, 260, 364, 365, 362/366, 404, 555, 576, 800, 14, 148, 362/296.01, 23.12, 626, 560, 606–609, 362/551, 581, 231, 219, 217.15, 227, 362/249.02, 326; 250/208.1, 239, 234, 250/216, 227.11, 227.14; 156/275.5, 329, 156/330, 60, 375.5; 385/146; 359/475, 359/484.01, 509; 347/256

CPC .. D07G 1/0036; D07G 1/0045; D07G 1/0063; D07G 1/0072; D07G 1/009; G08B 13/1427; G08B 13/1472; G08B 13/1481; G08B 13/194; G08B 13/246; G08B 13/2462; G08B 13/2465; A47F 9/04; A47F 9/046; A47F 9/047; A47F 9/048; A47F 10/02; A47F 2010/005; A47F 2010/025; G06K 7/10693; G06K 7/10712; G06K 7/10722; G06K 7/10792; G06K 7/10801; G06K 7/10811; G06K 7/10831; G06K 7/10851; G06K 7/10861; G06K 7/1081; G06K 7/1096; G06K 7/1097; G06K 7/1098; G06K 7/12; G06K 7/14; G06K 7/1408; G06K 7/1413; G06K 7/1417; G06K 7/1421; G06K 7/1426; G06K 7/143; G06K 7/1434; G06K 7/1439; G06K 7/1443; G06K 7/1447; G06K 7/1452; G06K 7/1456; G06K 7/146; G06K 7/1465; G06K 7/1469; G06K 7/1473; G06K 7/1478; G06K 7/1482; G06K 7/1486; G06K 2007/10485; G06K 7/10544–7/10762; G06K 7/10821–7/10871; G06K 7/1404–7/1495; G06K 2207/00; G06K 2207/1011–2207/1018; G01G 19/4144; G01G 21/22; G01G 21/28; G01G 23/32; G01G 23/34; G01G 23/35; G01G 23/375; G01G 23/38; G01G 23/44; G07G 1/0063; G07G 1/0072; G07G 3/006; G02B 5/09; G02B 6/00; G02B 6/0001; G06T 2211/00; H04N 1/0313–1/032; H04N 1/02815–1/02895; H04N 1/0249; H04N 1/02481; H04N 1/00; H04N 1/12; H04N 1/00013; H04N 1/00015; H04N 1/00018; H04N 1/00026; H04N 1/00557; H04N 1/00564; H04N 1/00567; H04N 1/0057; H04N 1/00572; H04N 1/00586; H04N 1/00588; H04N 1/00591; H04N 1/00594; H04N 1/00596; H04N 1/00604; H04N 1/00519; H04N 1/00559; H04N 1/00551; H04N 1/00278; H04N 1/1013; H04N 1/10; H04N 5/2251–5/2256; H04N 2201/02456; H04N 2201/02458; H04N 2201/02462; H04N 2201/03468; H04N 2201/02485; H04N 2201/0249; H04N 2201/02481; H04N 2201/0456; H04N 2201/0446; H04N 2201/00; H04N 2201/0094; H04N 1/028; H04N 1/19; H04N 1/031; H04N 1/0289; H04N 1/00005; H04N 1/40056; H04N 1/00525; H04N 1/484; H04N 1/00846; H04N 1/0311; H04N 1/0312; H04N 1/191; H04N 2201/03112; H04N 2201/03125; H04N 2201/03129; H04N 2201/03141; H04N 2201/03145; H04N 2201/02495;

H04N 2201/02884; H04N 2201/02868; H04N 2201/02479; H01L 27/14618–27/14643; H01L 27/14649; H01L 27/14652; H01L 27/14658–27/1467; H01L 31/0232–31/02327; H01L 31/1055; H01L 31/14; H01L 31/16; G03G 15/0142; G03G 15/605; G03G 15/602; F21S 2/00; F21S 4/00; F21S 4/003; F21S 4/005; F21S 4/006; F21S 4/007; F21S 4/008; F21S 6/00; F21S 8/00; F21S 8/024; F21S 8/026; F21S 8/031; F21S 8/033; F21S 8/035–8/037; F21S 8/04; F21S 8/043; F21S 8/063; G07D 7/00; G07D 7/121; G03H 1/0011; G03H 1/22; G03H 1/2286; F21V 13/04

See application file for complete search history.

(56)

**References Cited**

U.S. PATENT DOCUMENTS

5,142,137 A \* 8/1992 Kushino ..... H04N 1/0286 250/208.1

5,317,146 A \* 5/1994 Isobe ..... H04N 1/0312 250/208.1

D348,947 S \* 7/1994 Holcomb ..... D26/76

5,381,243 A \* 1/1995 Imamura ..... H04N 1/028 24/3.1

5,434,681 A \* 7/1995 Imamura ..... H04N 1/031 250/208.1

5,434,682 A \* 7/1995 Imamura ..... H04N 1/0312 250/208.1

5,489,992 A \* 2/1996 Endo ..... H04N 1/031 250/208.1

D387,462 S \* 12/1997 Huang ..... D26/76

5,859,421 A \* 1/1999 Onishi ..... H04N 1/0314 250/208.1

5,945,664 A \* 8/1999 Ogura ..... H04N 1/031 250/208.1

5,949,062 A \* 9/1999 Matsumoto ..... H04N 1/0312 250/208.1

6,014,231 A \* 1/2000 Sawase ..... H04N 1/02865 250/208.1

6,166,832 A \* 12/2000 Fujimoto ..... H04N 1/0312 358/474

6,239,421 B1 \* 5/2001 Nagata ..... H04N 1/02835 250/208.1

6,295,141 B1 \* 9/2001 Ogura ..... H04N 1/02835 358/475

6,320,681 B1 \* 11/2001 Yushiya ..... H04N 1/0312 358/475

6,326,602 B1 \* 12/2001 Tabata ..... G02B 6/0001 250/208.1

6,360,030 B1 \* 3/2002 Kawai ..... H04N 1/031 358/484

6,496,285 B1 \* 12/2002 Fujimoto ..... H04N 1/02815 358/475

6,501,087 B1 \* 12/2002 Koretsune ..... G07D 7/121 250/208.1

6,558,024 B2 \* 5/2003 Hoki ..... H04N 1/02865 250/208.1

D504,190 S \* 4/2005 Keller ..... D26/76

6,917,453 B1 \* 7/2005 Onishi ..... H04N 1/031 250/208.1

6,952,273 B1 \* 10/2005 Fujimoto ..... H04N 1/024 358/1.1

6,952,289 B1 \* 10/2005 Fujimoto ..... H04N 1/024 250/208.1

D520,667 S \* 5/2006 Jae-Sung ..... D26/25

7,095,003 B2 \* 8/2006 Matsumoto ..... H04N 1/0312 250/208.1

D569,027 S \* 5/2008 Hakamada ..... D26/76



(56)

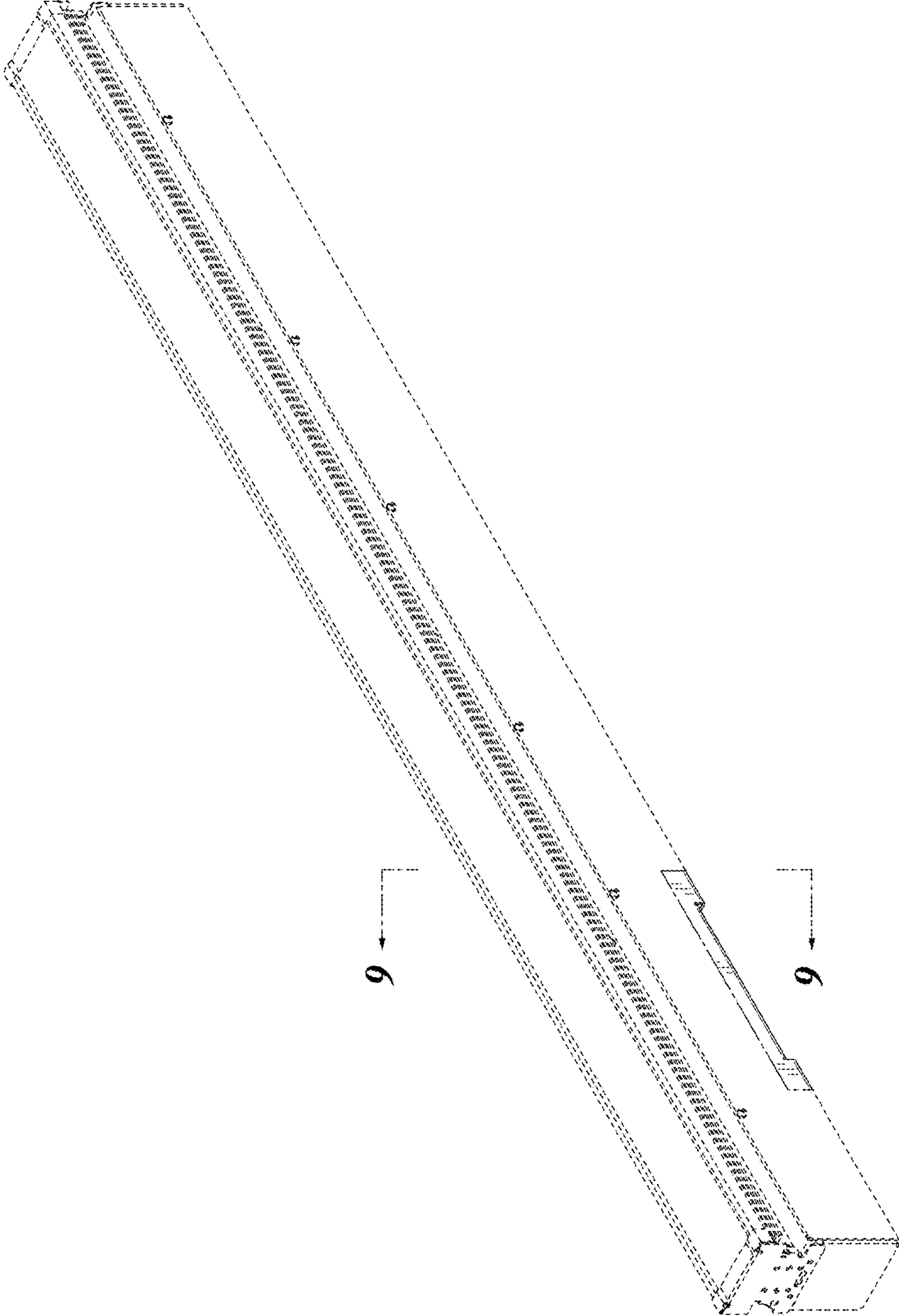
References Cited

U.S. PATENT DOCUMENTS

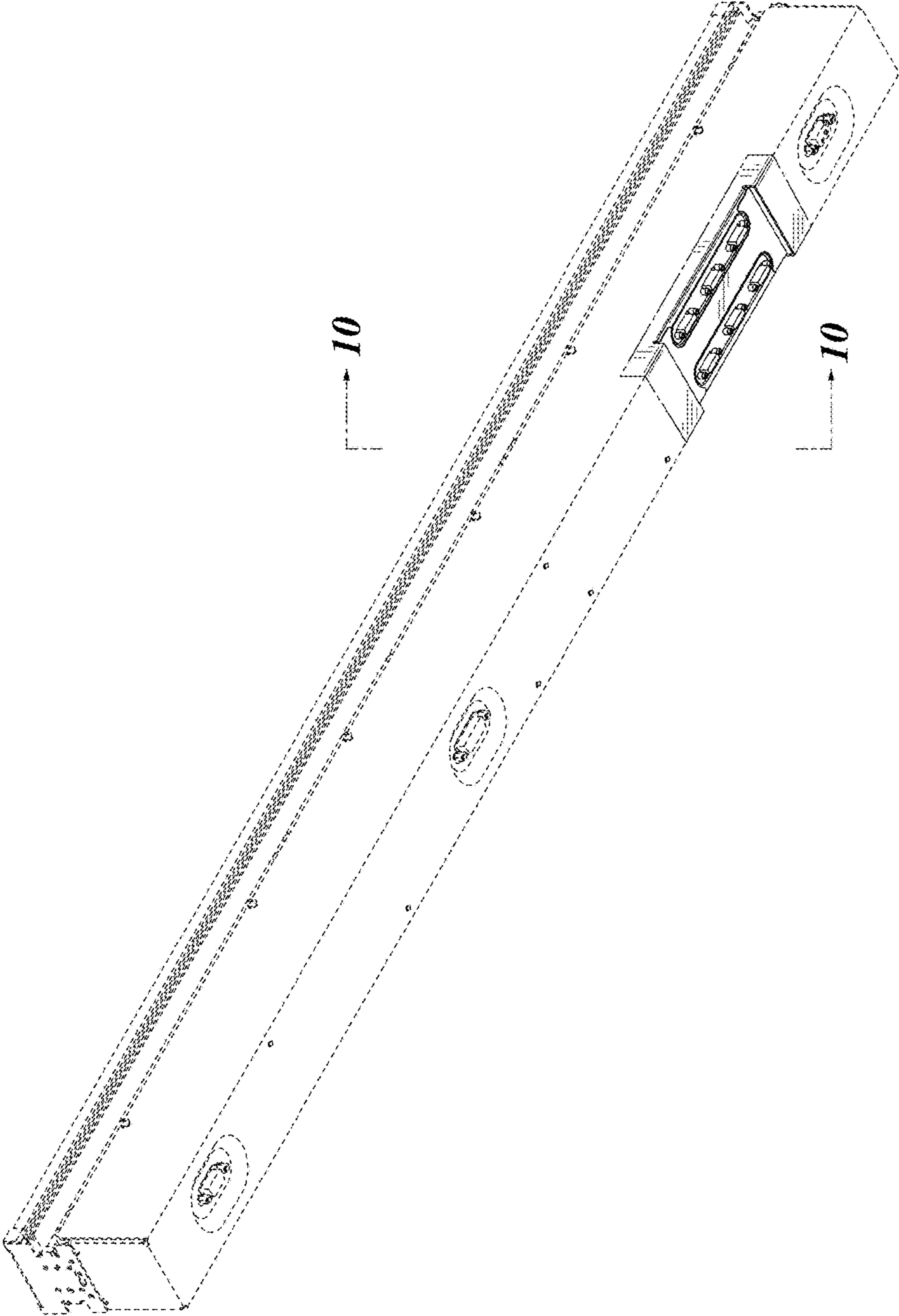
7,385,169	B2 *	6/2008	Saitou	.....	H04N 1/0318 250/208.1
7,555,194	B2 *	6/2009	Ikeda	.....	H04N 1/02815 359/475
7,738,146	B2 *	6/2010	Osakabe	.....	H04N 1/0313 358/474
7,802,899	B2 *	9/2010	Ikeda	.....	H04N 1/02815 358/484
D626,267	S *	10/2010	Ng	.....	D26/76
D629,553	S *	12/2010	Gielen	.....	D26/76
7,924,478	B2 *	4/2011	Kim	.....	G02B 6/0038 358/474
7,978,379	B2 *	7/2011	Fujiuchi	.....	H04N 1/02815 358/475
D695,942	S *	12/2013	Ng	.....	D26/75
8,599,448	B2 *	12/2013	Qi	.....	G07D 7/122 358/474
8,786,913	B2 *	7/2014	Sasaki	.....	H04N 1/02855 358/474
9,065,961	B2 *	6/2015	Shimoda	.....	H04N 1/02815
D735,392	S *	7/2015	Ng	.....	D26/76
9,160,879	B2 *	10/2015	Suto	.....	H04N 1/02815
2002/0015193	A1 *	2/2002	Tabata	.....	H04N 1/031 358/475
2002/0030858	A1 *	3/2002	Nagata	.....	H04N 1/031 358/474
2003/0117660	A1 *	6/2003	Matsumoto	.....	H04N 1/0318 358/400
2005/0006562	A1 *	1/2005	Sugihara	.....	H01L 27/14678 250/208.1
2005/0206800	A1 *	9/2005	Wakisaka	.....	H04N 1/02815 349/58
2005/0230853	A1 *	10/2005	Yoshikawa	.....	H01L 24/32 257/81
2006/0033807	A1 *	2/2006	Terumoto	.....	B41J 2/45 347/256
2006/0081763	A1 *	4/2006	Sawada	.....	H04N 1/028 250/208.1
2007/0297020	A1 *	12/2007	Shen	.....	H04N 1/02865 358/474
2008/0099770	A1 *	5/2008	Mendendorp	.....	H01L 33/64 257/79
2008/0121783	A1 *	5/2008	Amano	.....	H04N 1/0083 250/208.1
2008/0179493	A1 *	7/2008	Nagao	.....	H04N 1/00909 250/208.1
2008/0192306	A1 *	8/2008	Lee	.....	H04N 1/02835 358/483
2009/0034024	A1 *	2/2009	Kim	.....	H04N 1/02815 358/475
2009/0135453	A1 *	5/2009	Wakisaka	.....	H04N 1/0318 358/474
2009/0294630	A1 *	12/2009	Saito	.....	H04N 1/0318 250/208.1
2010/0195166	A1 *	8/2010	Sawada	.....	H01L 27/14629 358/475
2012/0162727	A1 *	6/2012	Shimoda	.....	H04N 1/02481 358/475
2012/0194878	A1 *	8/2012	Nakamura	.....	H04N 1/0318 358/471
2012/0205653	A1 *	8/2012	Nishikage	.....	G01L 9/0045 257/49
2012/0206750	A1 *	8/2012	Murray	.....	H04N 1/00525 358/1.13
2012/0318961	A1 *	12/2012	Sawada	.....	H04N 1/0318 250/208.1
2013/0038914	A1 *	2/2013	Yoshida	.....	H04N 1/0285 358/474
2013/0181311	A1 *	7/2013	Sugiyama	.....	H04N 1/193 257/432
2013/0222918	A1 *	8/2013	Nemoto	.....	G03G 15/04054 359/622
2013/0250373	A1 *	9/2013	Takeuchi	.....	H04N 1/0285 358/474
2013/0265617	A1 *	10/2013	Murakami	.....	G02B 6/0001 358/448
2013/0314756	A1 *	11/2013	Amemiya	.....	F21V 13/04 358/497
2014/0014819	A1 *	1/2014	Yoshida	.....	G02B 6/0096 250/208.1
2014/0111835	A1 *	4/2014	Ozawa	.....	H04N 1/028 358/475
2014/0198355	A1 *	7/2014	Miwa	.....	H04N 1/0318 358/482
2015/0015924	A1 *	1/2015	Fujiuchi	.....	H04N 1/02835 358/474
2015/0070735	A1 *	3/2015	Lu	.....	H04N 1/02855 358/482
2015/0136951	A1 *	5/2015	Ohama	.....	H04N 1/02815 250/208.1
2015/0156372	A1 *	6/2015	Aramaki	.....	H04N 1/02835 358/447
2015/0271354	A1 *	9/2015	Imoto	.....	G02B 27/0966 362/308
2015/0316706	A1 *	11/2015	Fujiuchi	.....	H04N 1/02835 358/482
2015/0381848	A1 *	12/2015	Matsui	.....	H04N 1/02835 358/482
2016/0006898	A1 *	1/2016	Tsumekawa	.....	H04N 1/02835 358/484
2016/0037011	A1 *	2/2016	Fujiuchi	.....	H04N 1/0315 358/471
2016/0133661	A1 *	5/2016	Fujiuchi	.....	H04N 1/0318 257/432
2016/0261763	A1 *	9/2016	Fujiuchi	.....	H04N 1/0315

\* cited by examiner

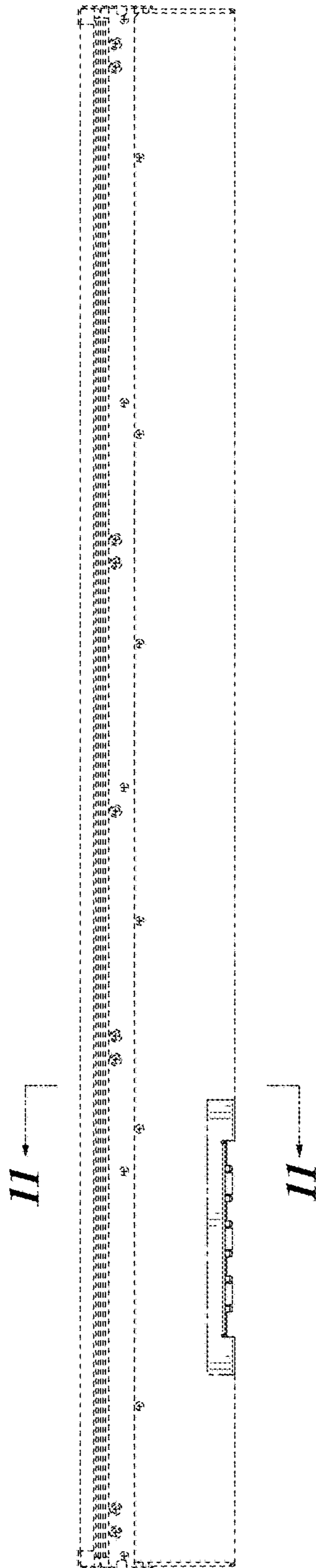
**FIG. 1**



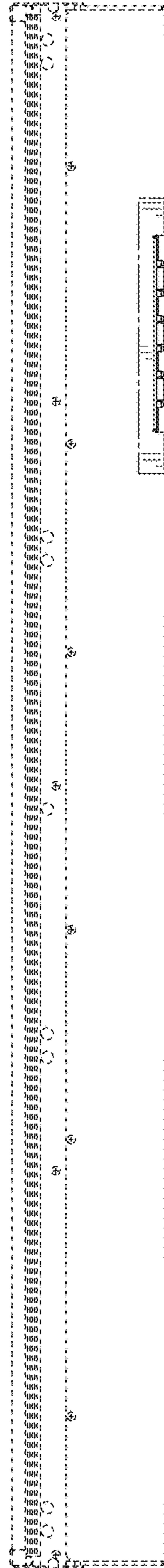
**FIG. 2**



**FIG. 3**



**FIG. 4**





***FIG. 5***

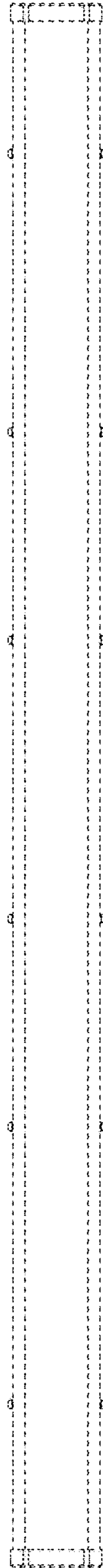




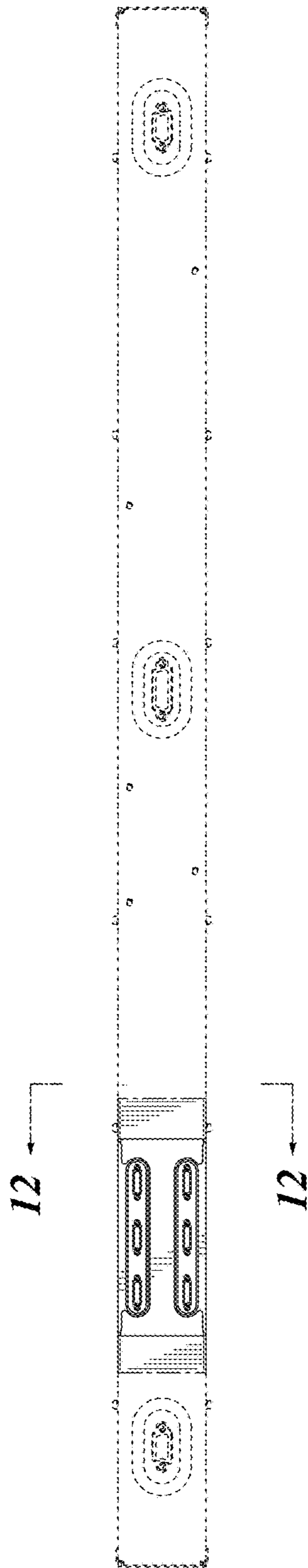
***FIG. 6***



**FIG. 7**

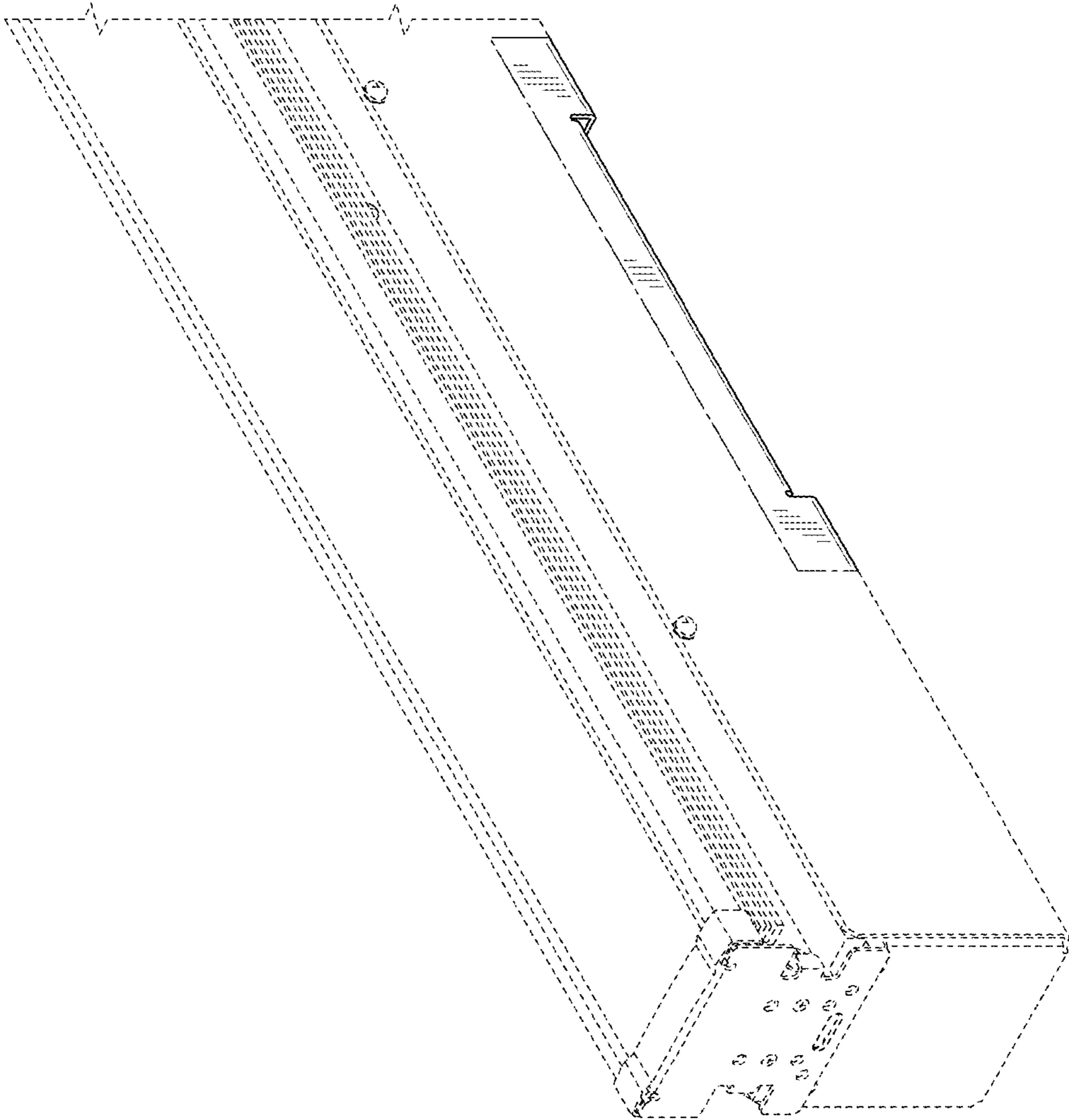


**FIG. 8**

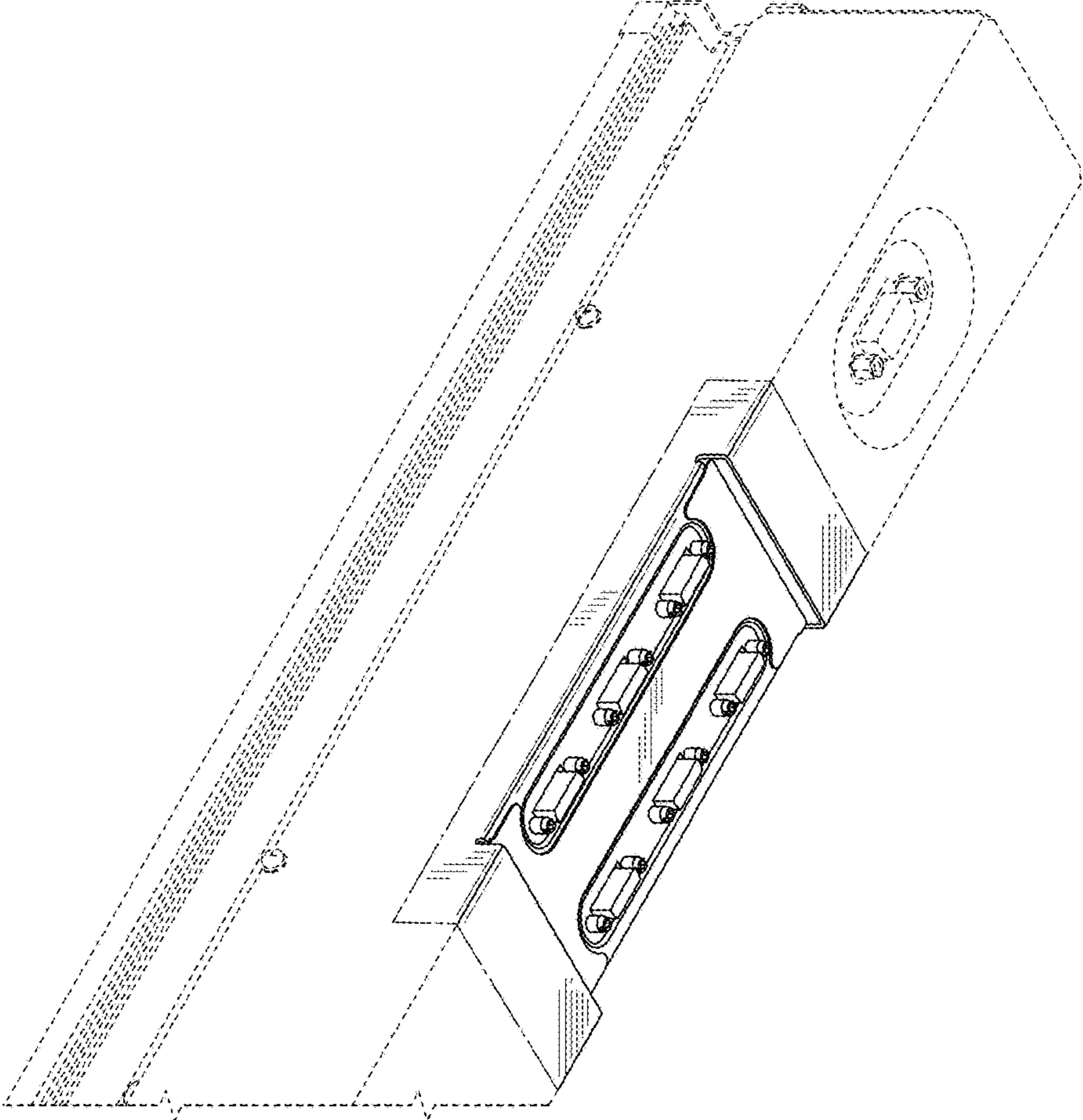




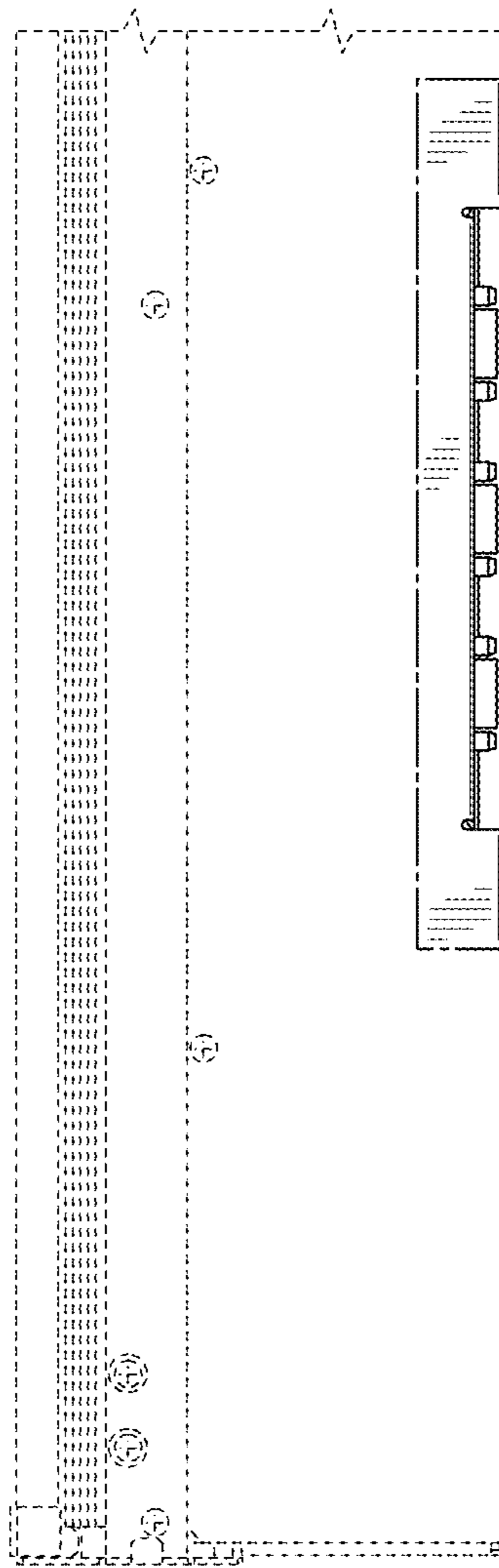
**FIG. 9**



**FIG. 10**



**FIG. 11**





**FIG. 12**

