



US00D785625S

(12) **United States Design Patent**
Shih et al.

(10) **Patent No.:** **US D785,625 S**

(45) **Date of Patent:** **** May 2, 2017**

(54) **STYLUS**

(71) Applicant: **PEGATRON CORPORATION**, Taipei (TW)

(72) Inventors: **Meng-Hsuan Shih**, Taipei (TW);
Hsin-Fang Fan, Taipei (TW)

(73) Assignee: **PEGATRON CORPORATION**, Taipei (TW)

(**) Term: **15 Years**

(21) Appl. No.: **29/567,025**

(22) Filed: **Jun. 3, 2016**

(30) **Foreign Application Priority Data**

May 10, 2016 (TW) 105302540

(51) **LOC (10) Cl.** **14-02**

(52) **U.S. Cl.**
USPC **D14/411**

(58) **Field of Classification Search**
USPC D14/372, 496, 432, 371, 125, 126, 129,
D14/299, 411; D16/300-342; 351/158,
351/153, 144; 345/7-9, 905; 455/344;
348/115, 53, 121, 739
CPC G02B 27/017; G06F 3/016; G06F 3/033;
G06F 3/0317; G06F 3/03545; G06F
3/041; G06K 9/222
See application file for complete search history.

(56) **References Cited**

U.S. PATENT DOCUMENTS

D619,580 S * 7/2010 Nakayama D14/411
D675,621 S * 2/2013 Fletcher D14/411

D679,708 S * 4/2013 Li D14/411
D694,757 S * 12/2013 Wu D14/411
D695,741 S * 12/2013 Wang D14/411
D706,267 S * 6/2014 Nakata D14/411
D709,886 S * 7/2014 Lin D14/411
D711,882 S * 8/2014 Yeo D14/411
D725,113 S * 3/2015 Roskopp D14/411
D725,114 S * 3/2015 Roskopp D14/411
D750,630 S * 3/2016 Nishizawa D14/411
D754,129 S * 4/2016 Kao D14/411
D762,645 S * 8/2016 Cavallaro D14/402
D771,048 S * 11/2016 Martindale D14/411
D772,875 S * 11/2016 Kim D14/411
D776,117 S * 1/2017 Rong D14/411

* cited by examiner

Primary Examiner — Austin Murphy

(74) *Attorney, Agent, or Firm* — J.C. Patents

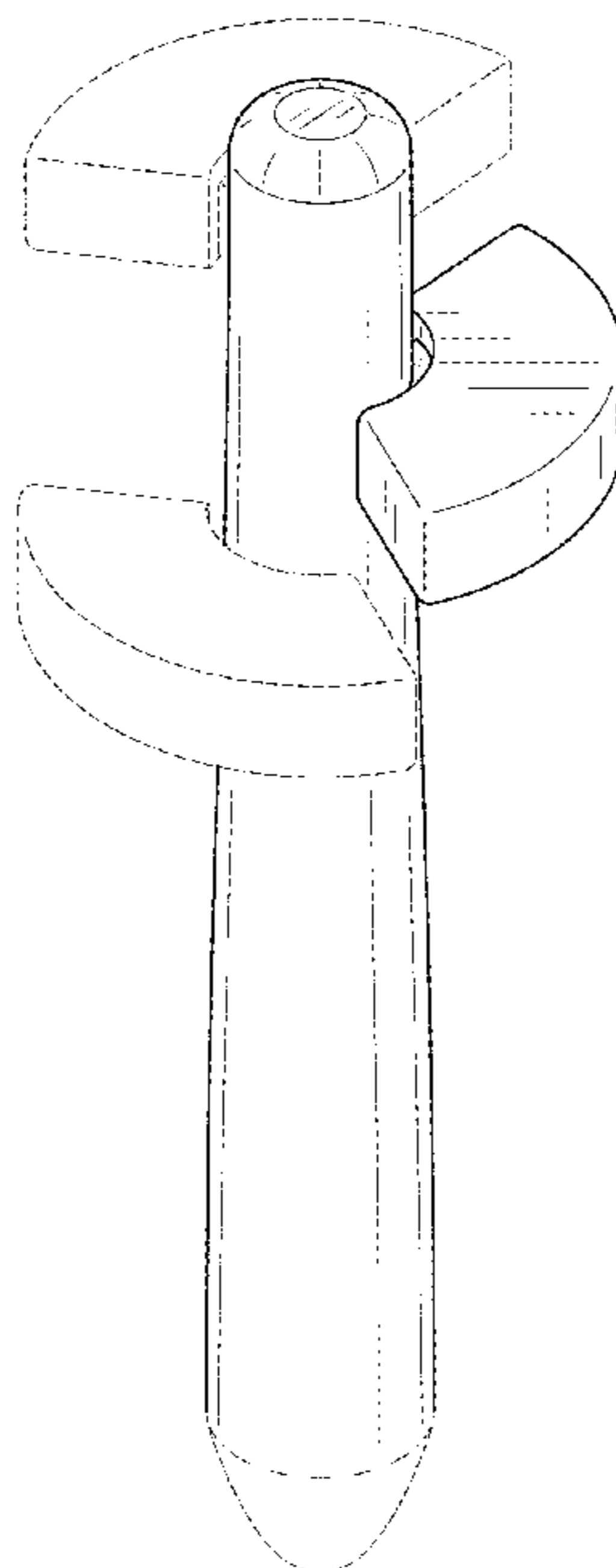
(57) **CLAIM**

The ornamental design for a stylus, as shown and described.

DESCRIPTION

FIG. 1 is a perspective view of a stylus showing our new design;
FIG. 2 is a front view thereof;
FIG. 3 is a rear view thereof;
FIG. 4 is a left view thereof;
FIG. 5 is a right view thereof;
FIG. 6 is a top view thereof;
FIG. 7 is a bottom view thereof; and,
FIG. 8 is an exploded view thereof, as shown a stylus environment.
The broken lines in the drawings are included for the purpose of illustration and form no part of the claimed design. The dot-dash lines in the drawings define the boundary of the claim and form no part of the claimed design.

1 Claim, 7 Drawing Sheets



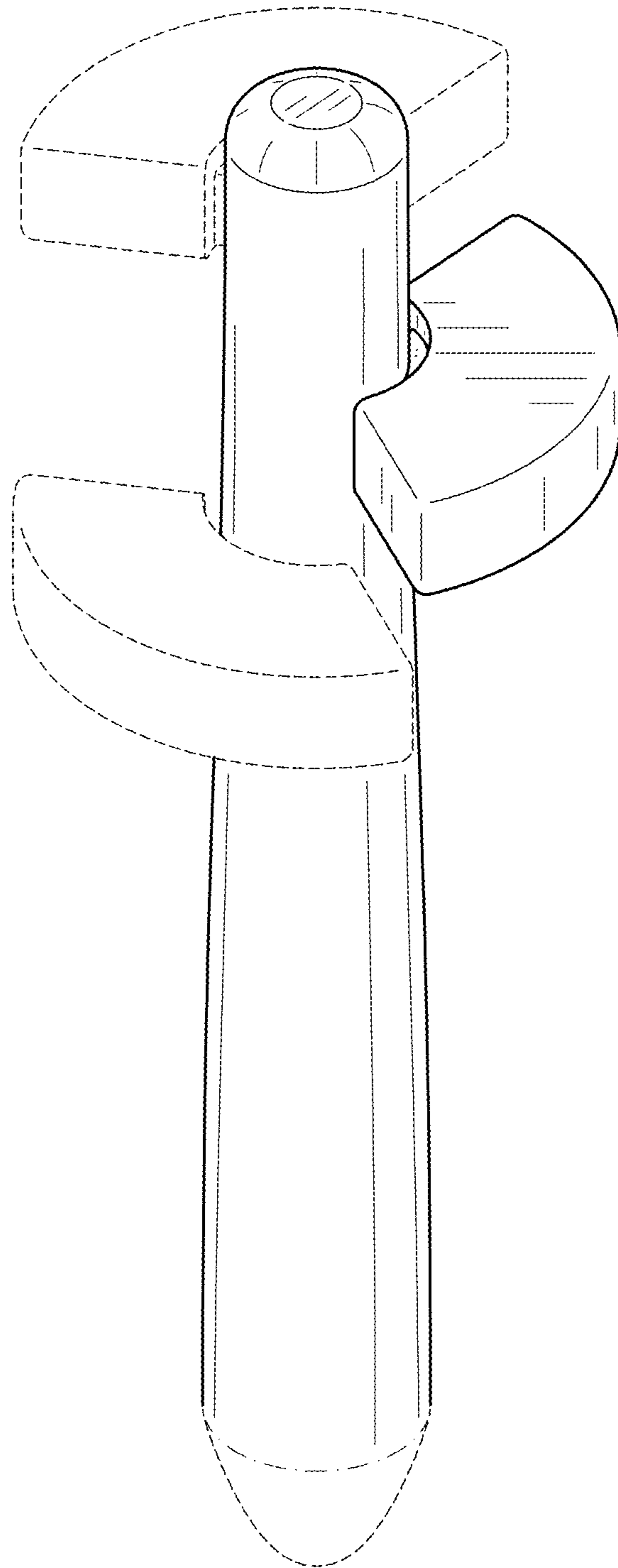


FIG. 1

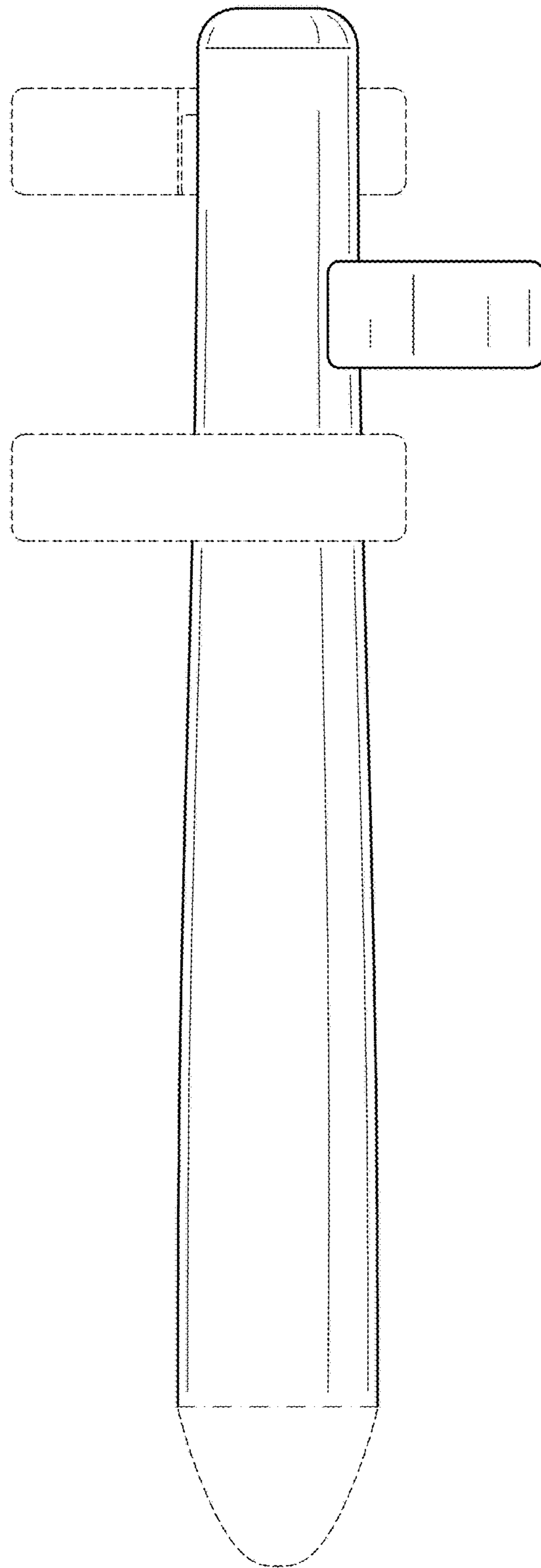


FIG. 2

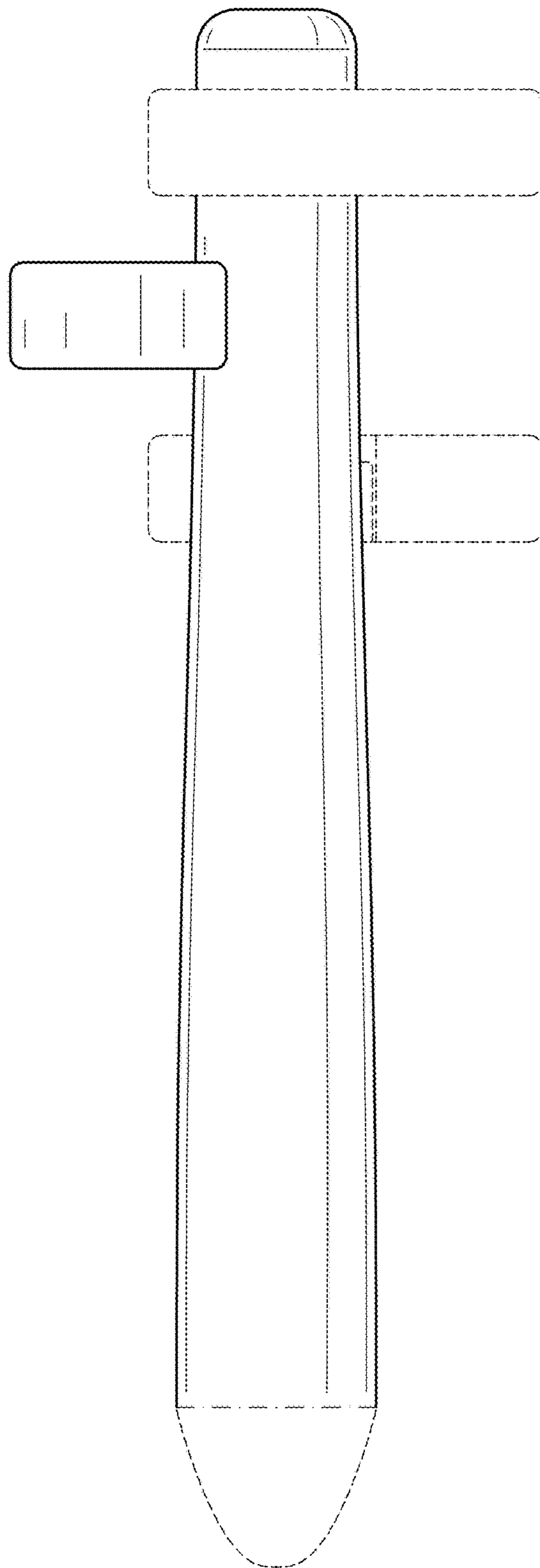


FIG. 3

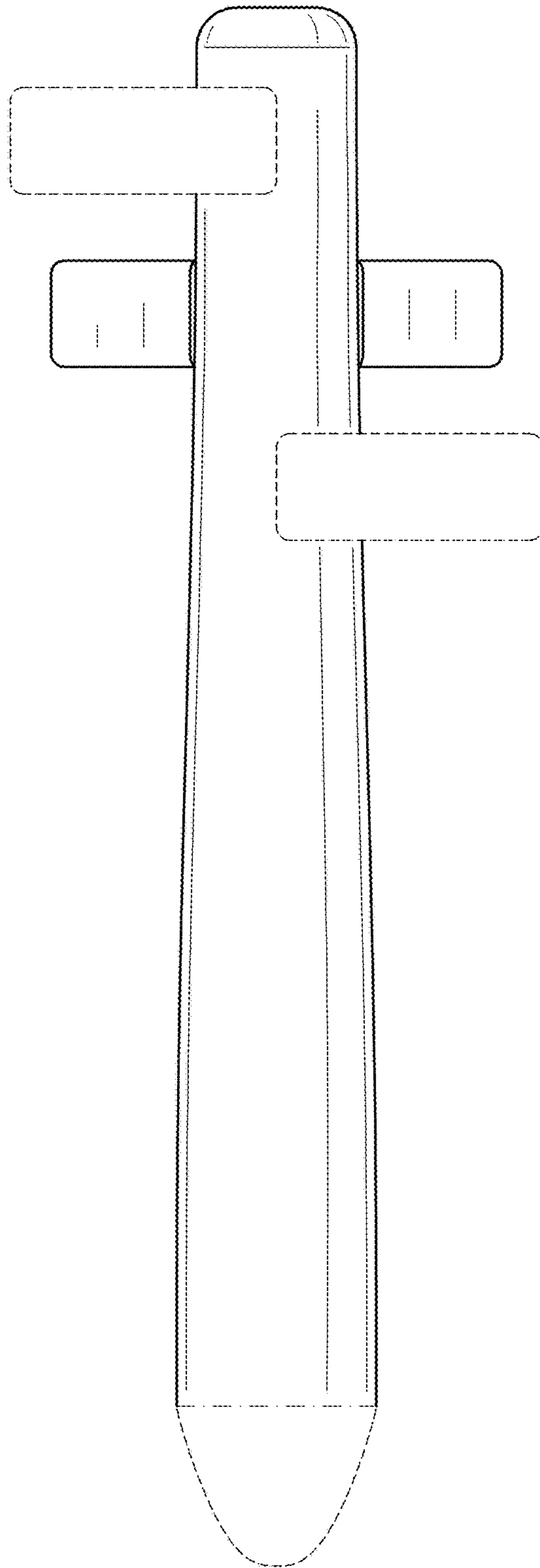


FIG. 4

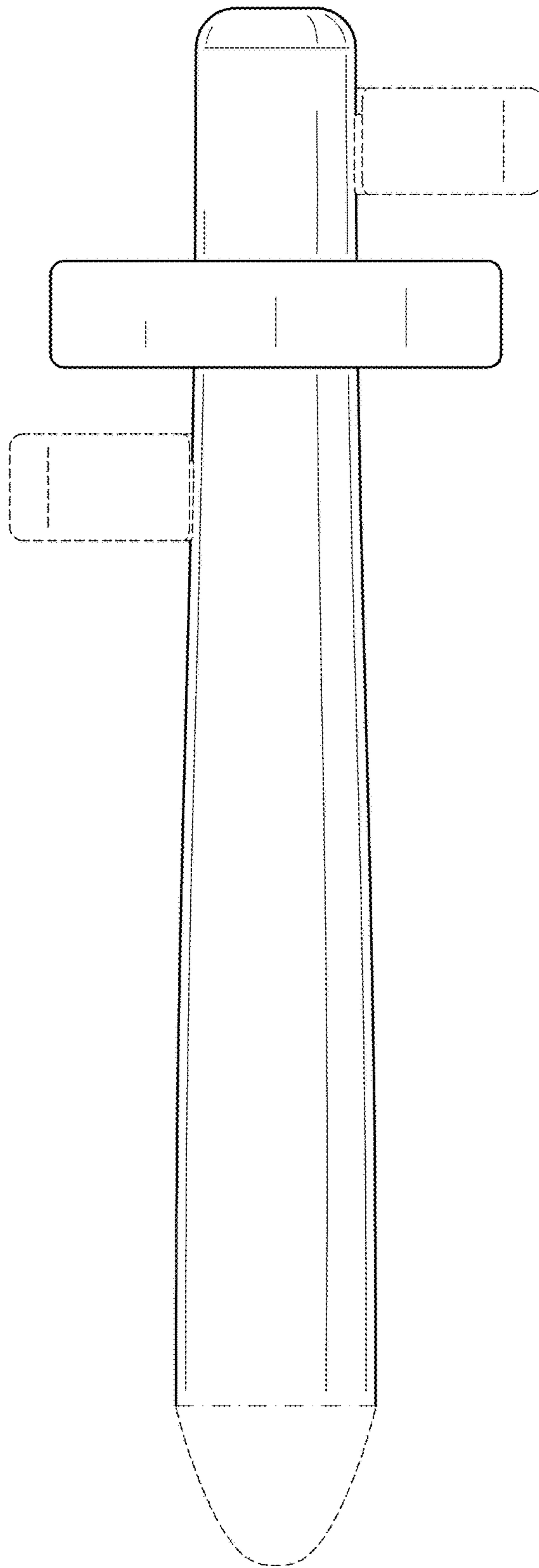


FIG. 5

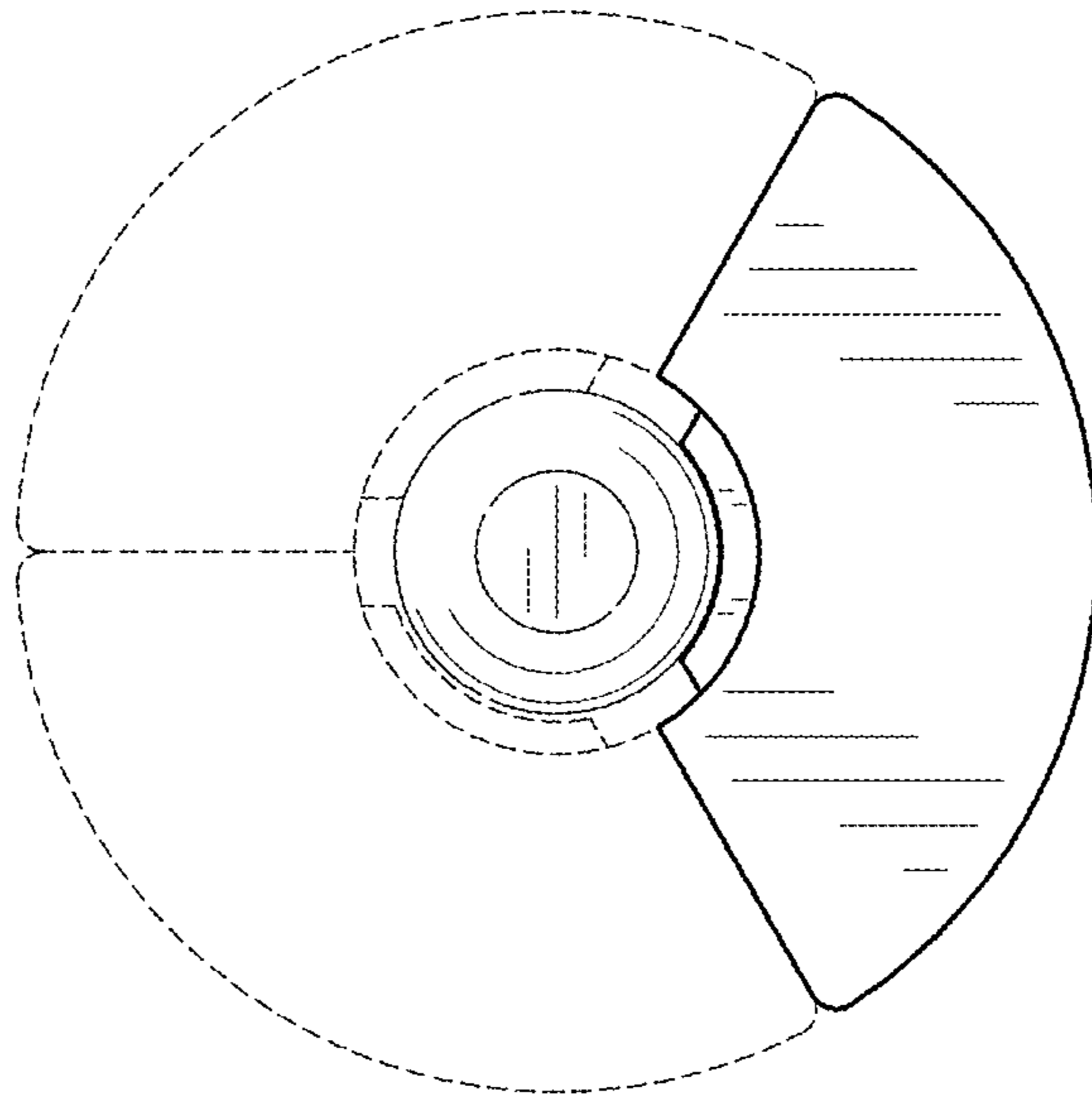


FIG. 6

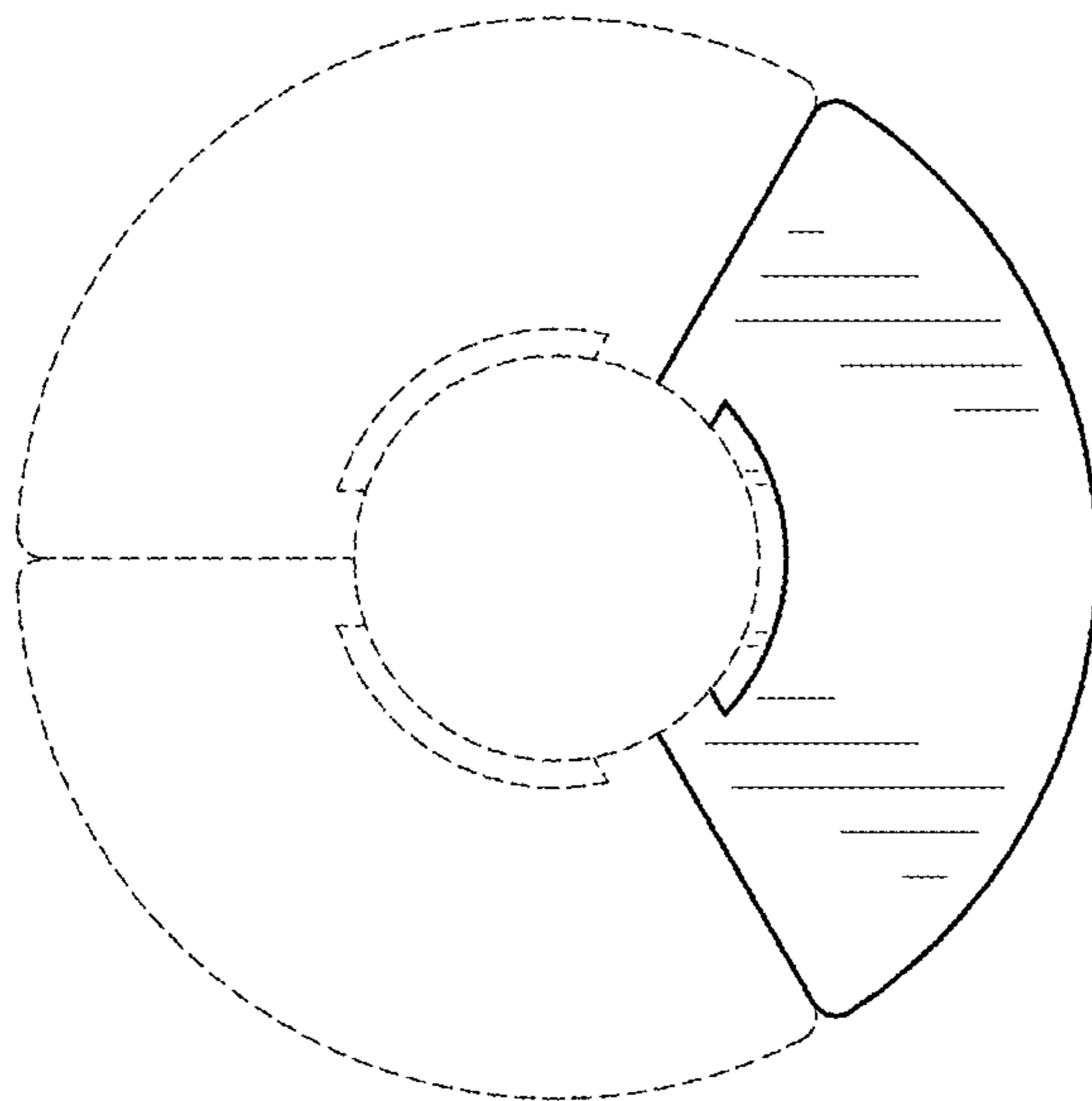


FIG. 7

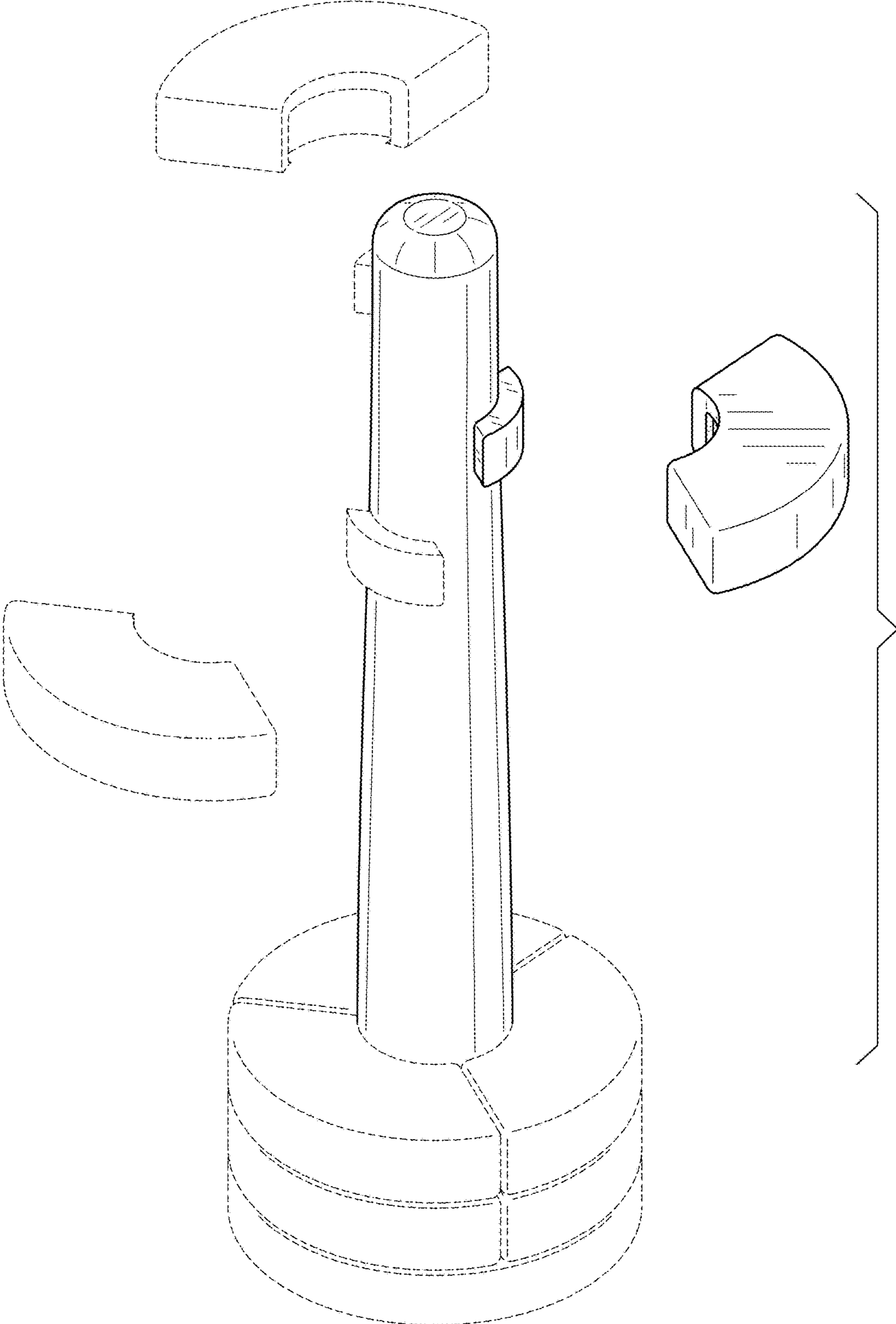


FIG. 8