



US00D785620S

(12) **United States Design Patent**
Zhang

(10) **Patent No.:** **US D785,620 S**

(45) **Date of Patent:** **** May 2, 2017**

(54) **3D GLASSES**

(71) Applicant: **Shenzhen Shijie Wireless Technology Co., Ltd.**, Shenzhen (CN)

(72) Inventor: **Changqing Zhang**, Shenzhen (CN)

(**) Term: **15 Years**

(21) Appl. No.: **29/566,562**

(22) Filed: **May 31, 2016**

(30) **Foreign Application Priority Data**

Dec. 4, 2015 (CN) 2015 3 0503008

(51) **LOC (10) Cl.** **14-02**

(52) **U.S. Cl.**
USPC **D14/372**

(58) **Field of Classification Search**
USPC D14/372, 496, 432, 371, 125, 126, 129,
D14/299; D16/300-342; 351/158, 153,
351/144; 345/7-9, 905; 455/344;
348/115, 53, 121, 739
CPC G02B 27/017; G02B 27/0158; G02B
27/0161; G02B 27/0181; G02B 27/0185;
G02B 27/0189

See application file for complete search history.

(56) **References Cited**

U.S. PATENT DOCUMENTS

D719,953 S * 12/2014 Nokuo D14/372
D732,028 S * 6/2015 Kim D14/372

D749,580 S * 2/2016 Kim D14/372
D753,111 S * 4/2016 Fei D14/372
D753,112 S * 4/2016 Fei D14/372
D753,113 S * 4/2016 Fei D14/372
D764,467 S * 8/2016 Nokuo D14/372
D771,626 S * 11/2016 Ko D14/372
D771,627 S * 11/2016 Ko D14/372
D773,461 S * 12/2016 Jiang D14/372
D776,110 S * 1/2017 Gribetz D14/372
D778,909 S * 2/2017 Nokuo D14/372

* cited by examiner

Primary Examiner — Austin Murphy

(74) *Attorney, Agent, or Firm* — Prakash Nama; Global IP Services, PLLC

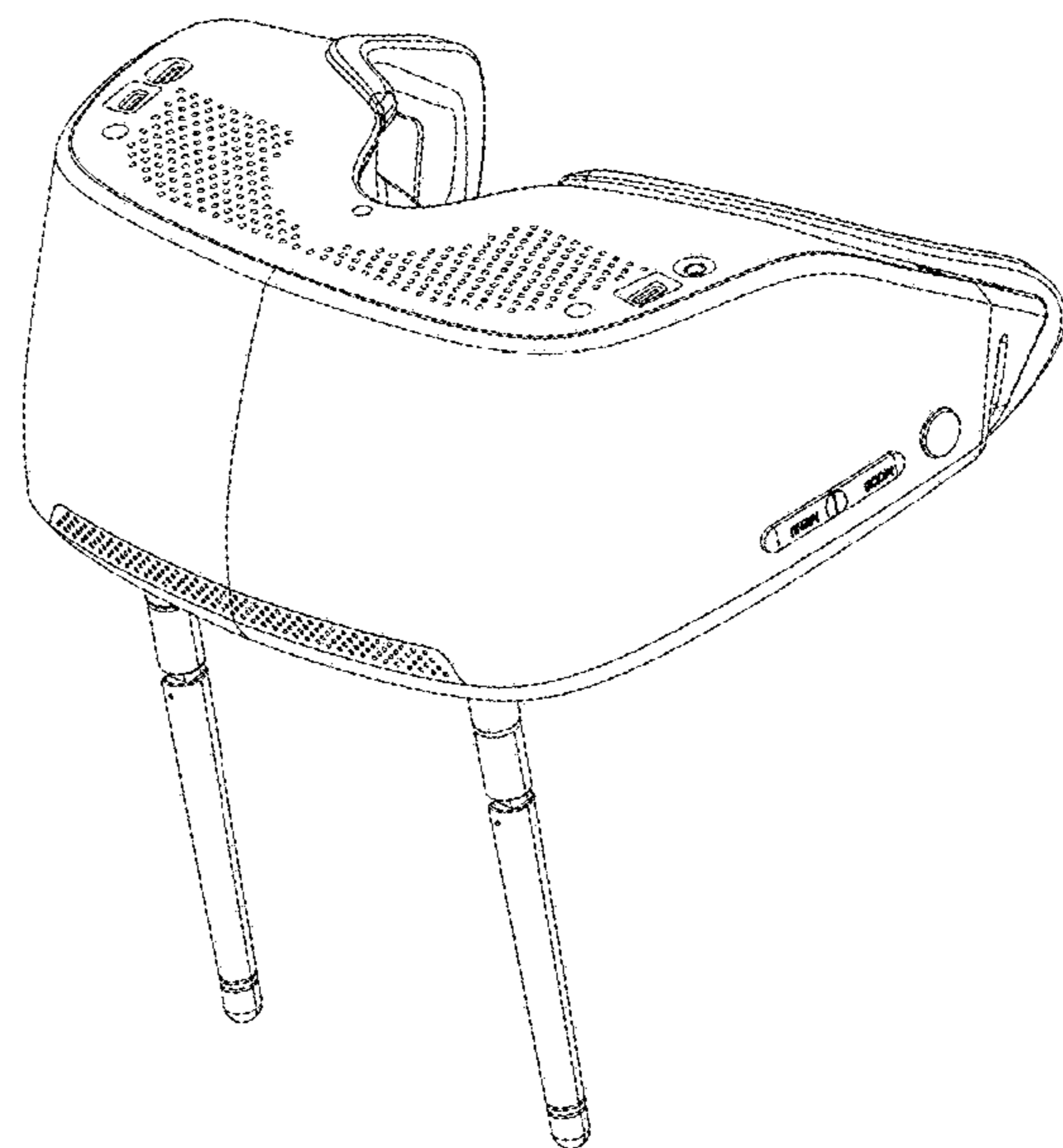
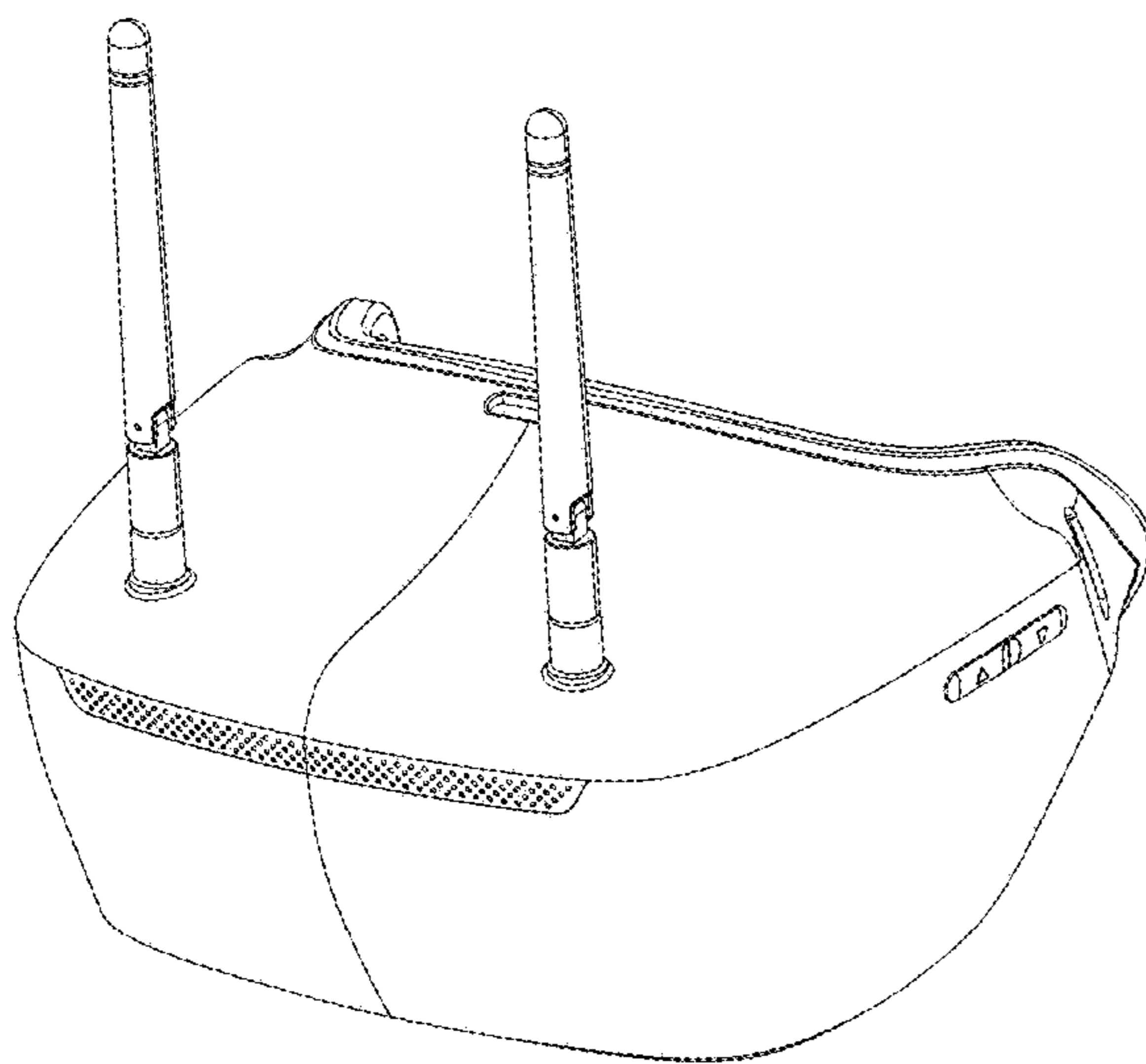
(57) **CLAIM**

The ornamental design for the 3D glasses, as shown.

DESCRIPTION

FIG. 1 is a front elevational view of the 3D glasses showing my new design;
FIG. 2 is a rear elevational view thereof;
FIG. 3 is a left side view thereof;
FIG. 4 is a right side view thereof;
FIG. 5 is a top plan view thereof;
FIG. 6 is a bottom plan view thereof;
FIG. 7 is a perspective view thereof;
FIG. 8 is a second perspective view thereof;
FIG. 9 is a third perspective view thereof; and,
FIG. 10 is a fourth perspective view thereof.

1 Claim, 10 Drawing Sheets



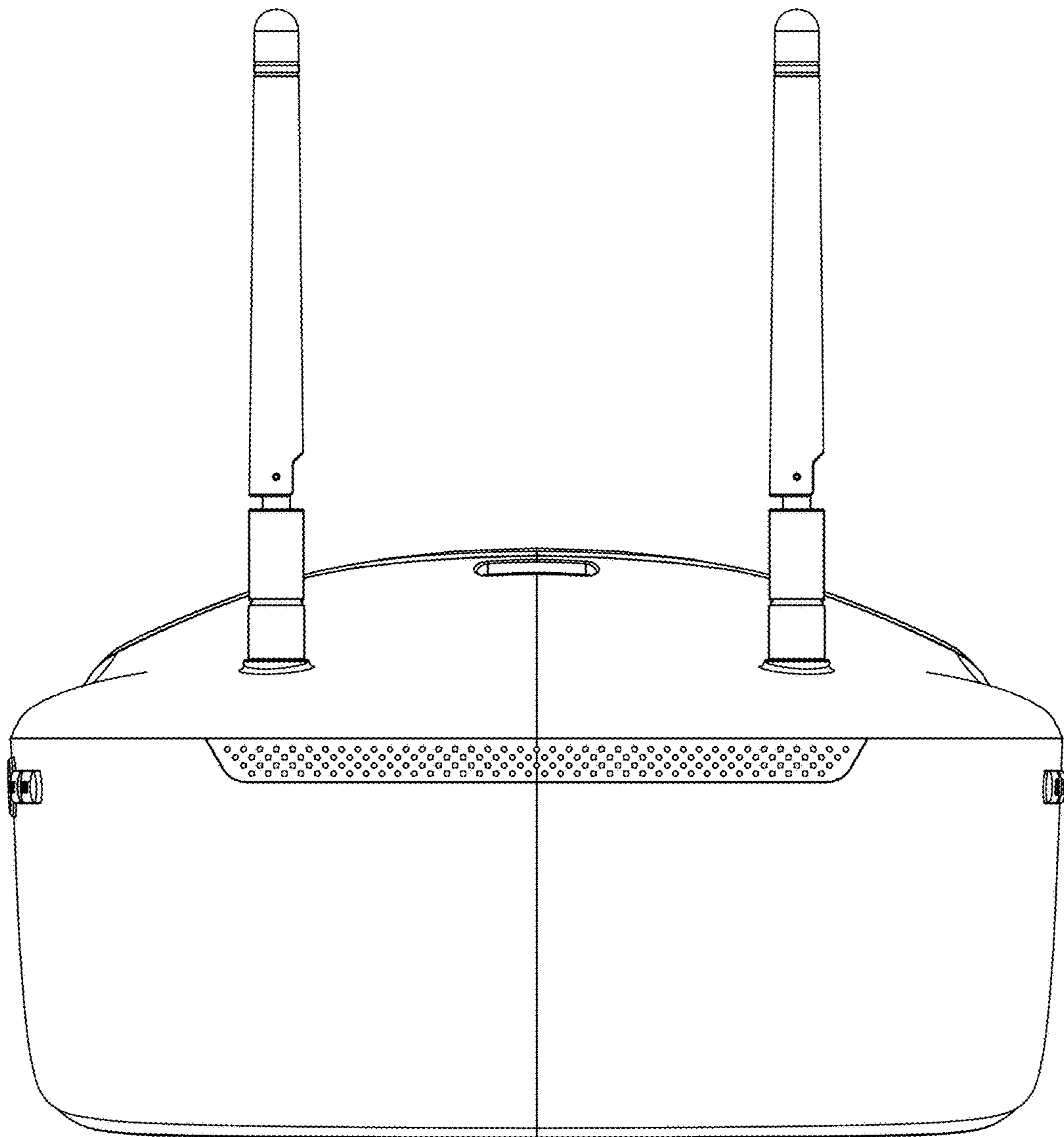


FIG. 1

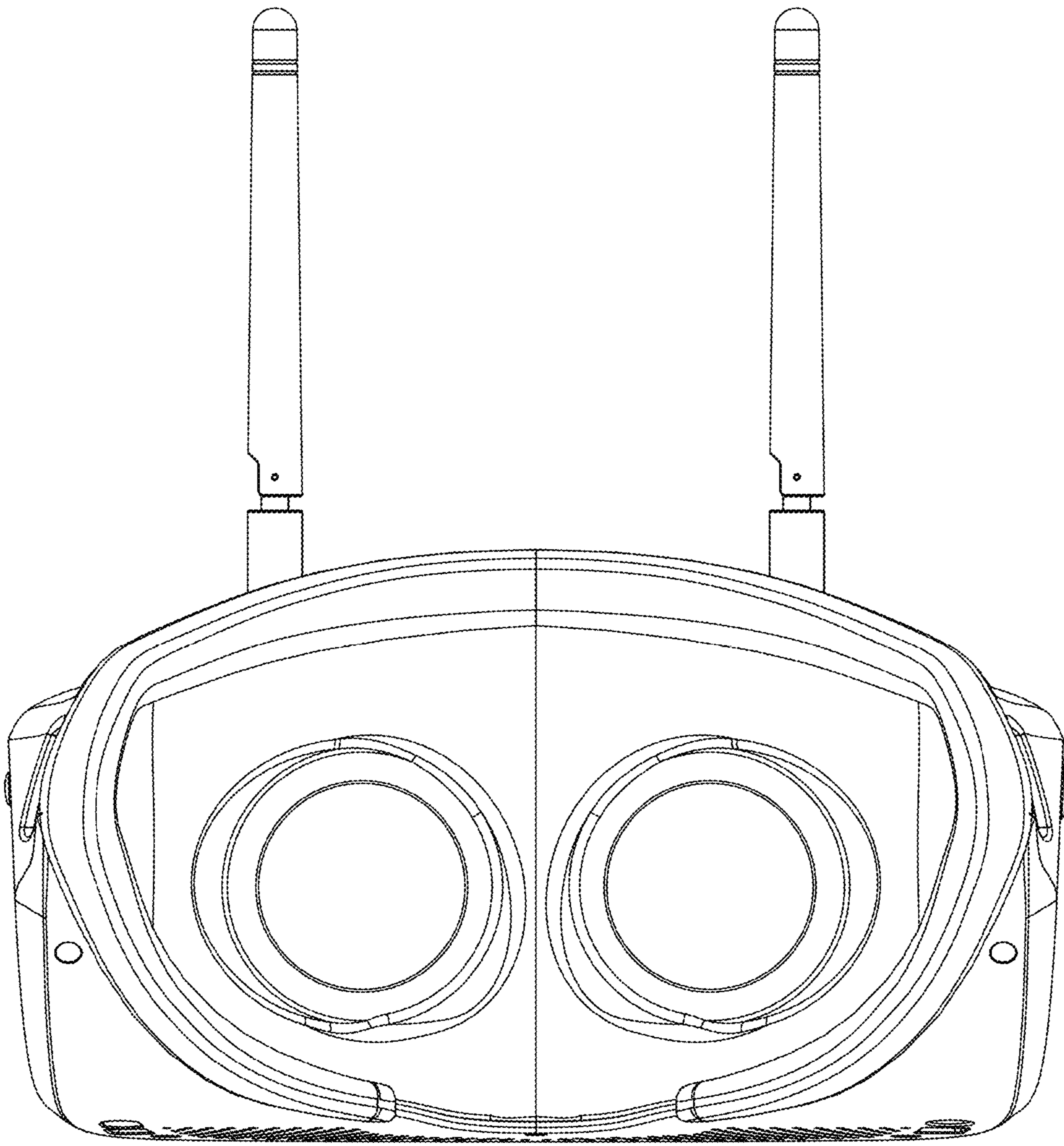


FIG. 2

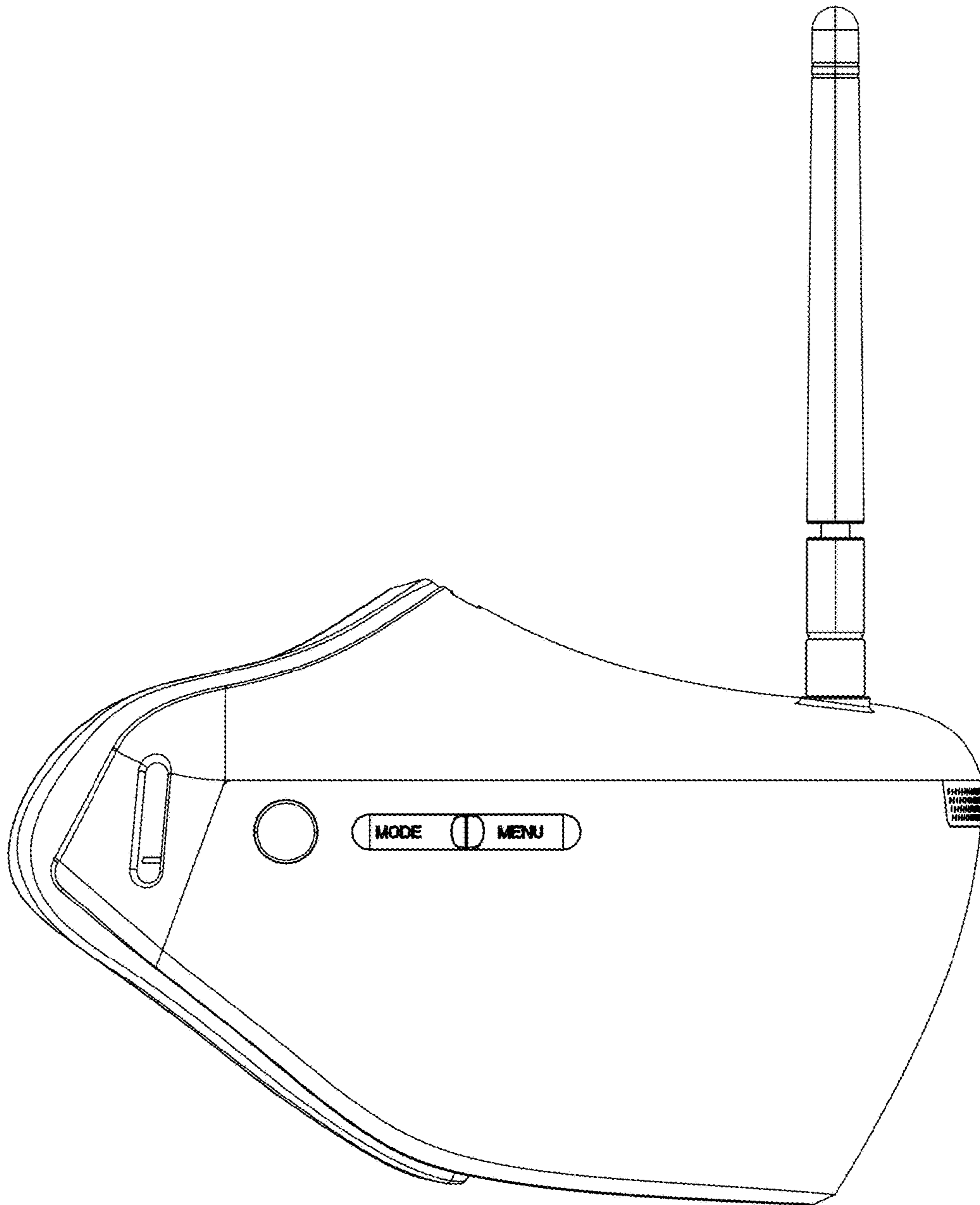


FIG. 3

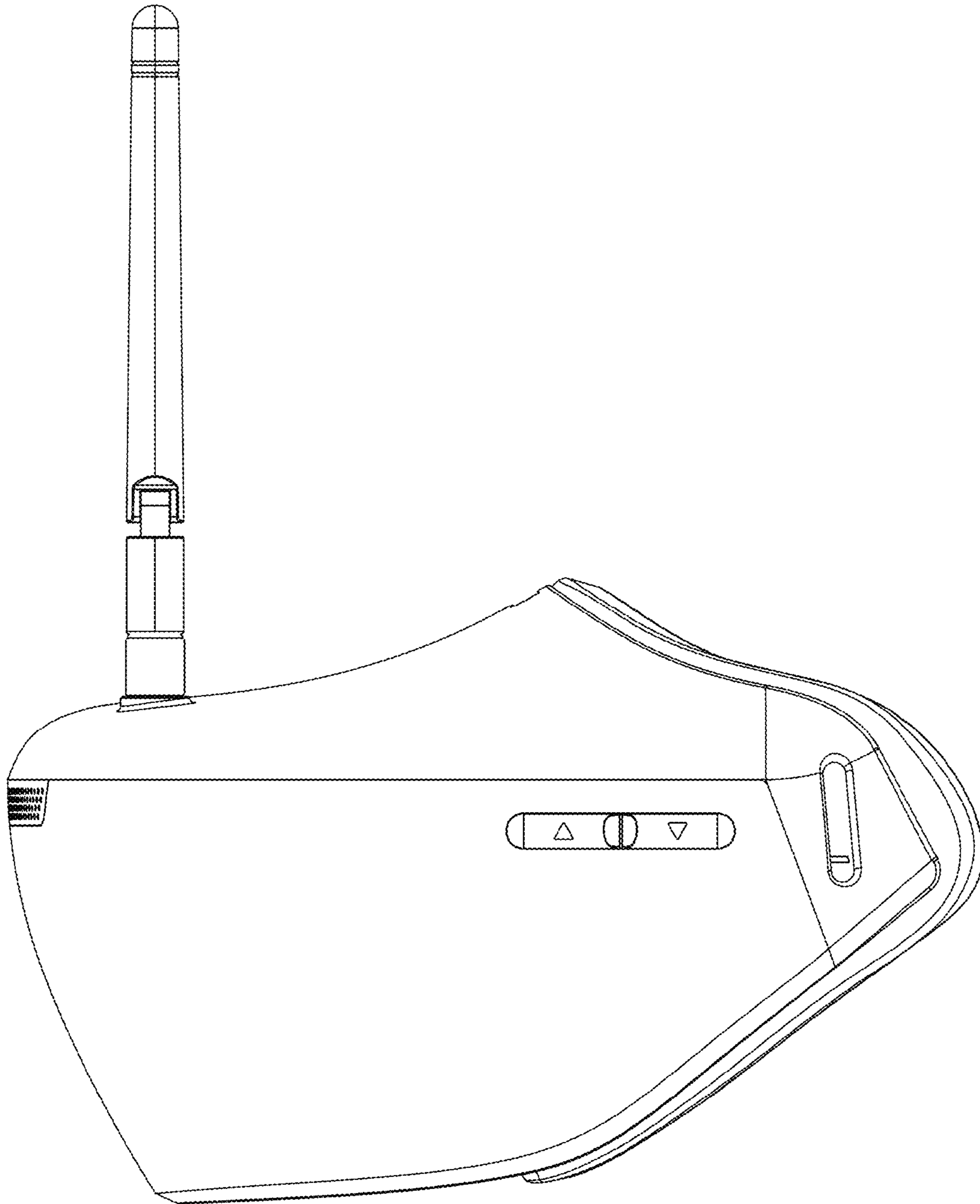


FIG. 4

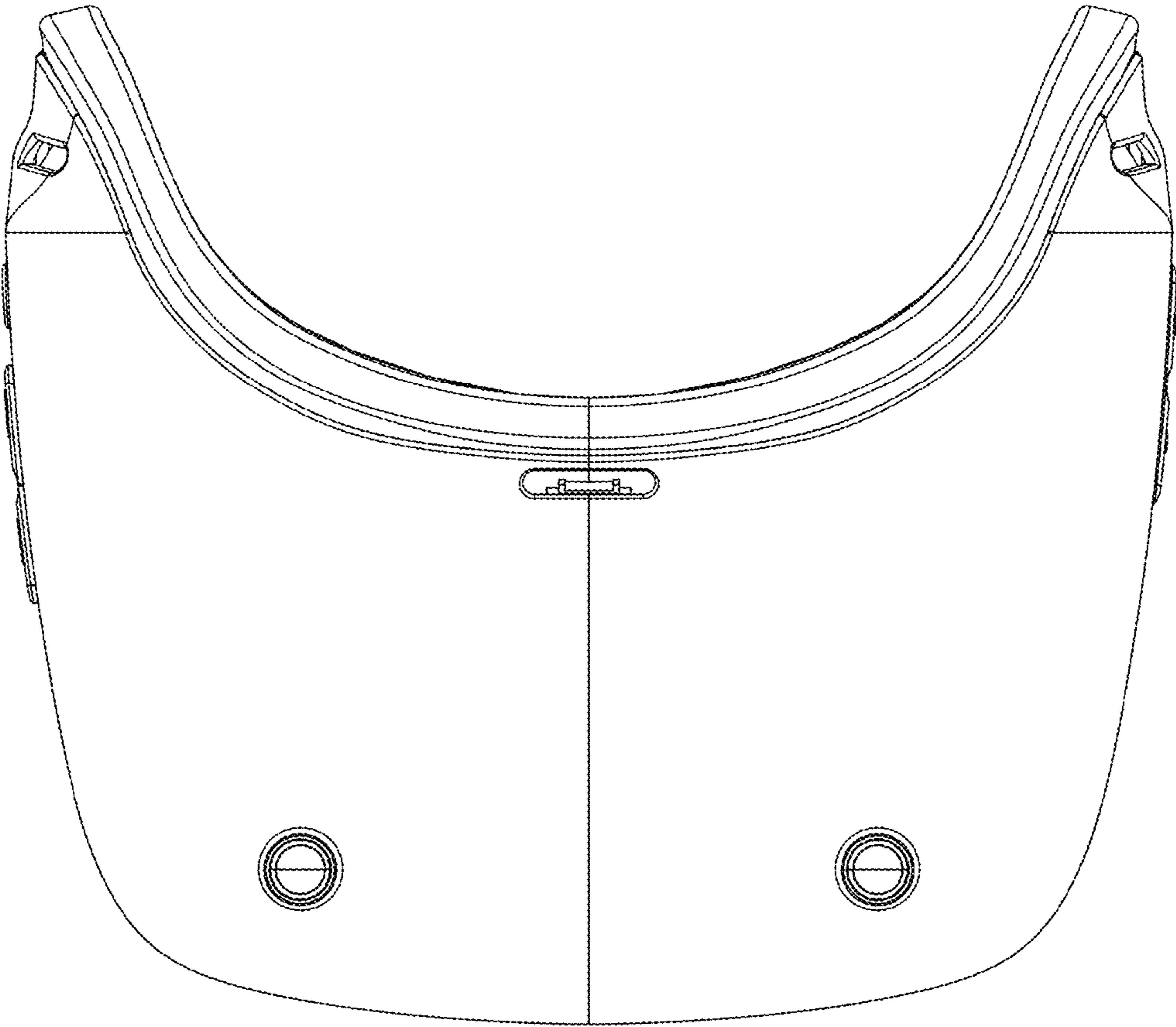


FIG. 5

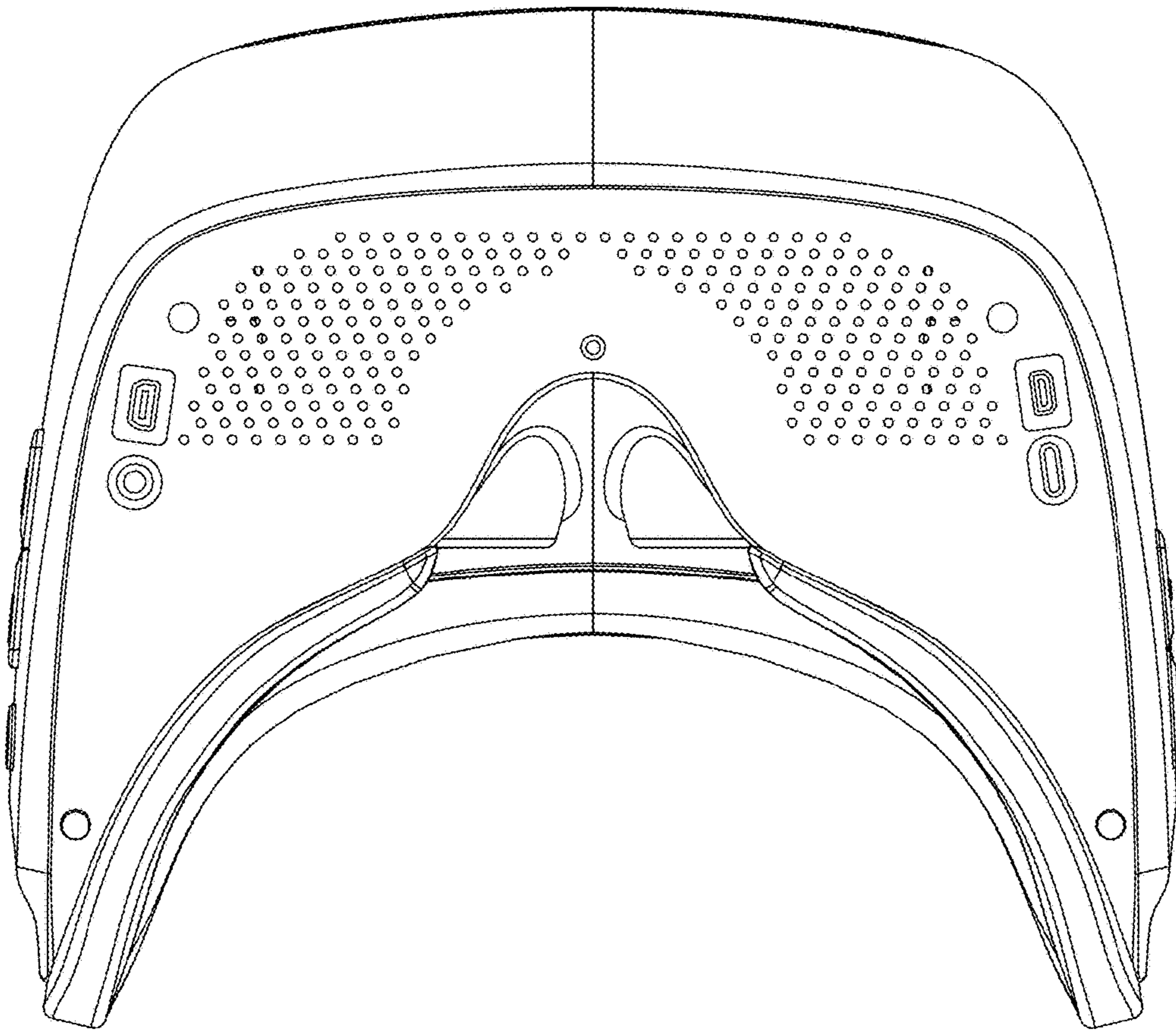


FIG. 6

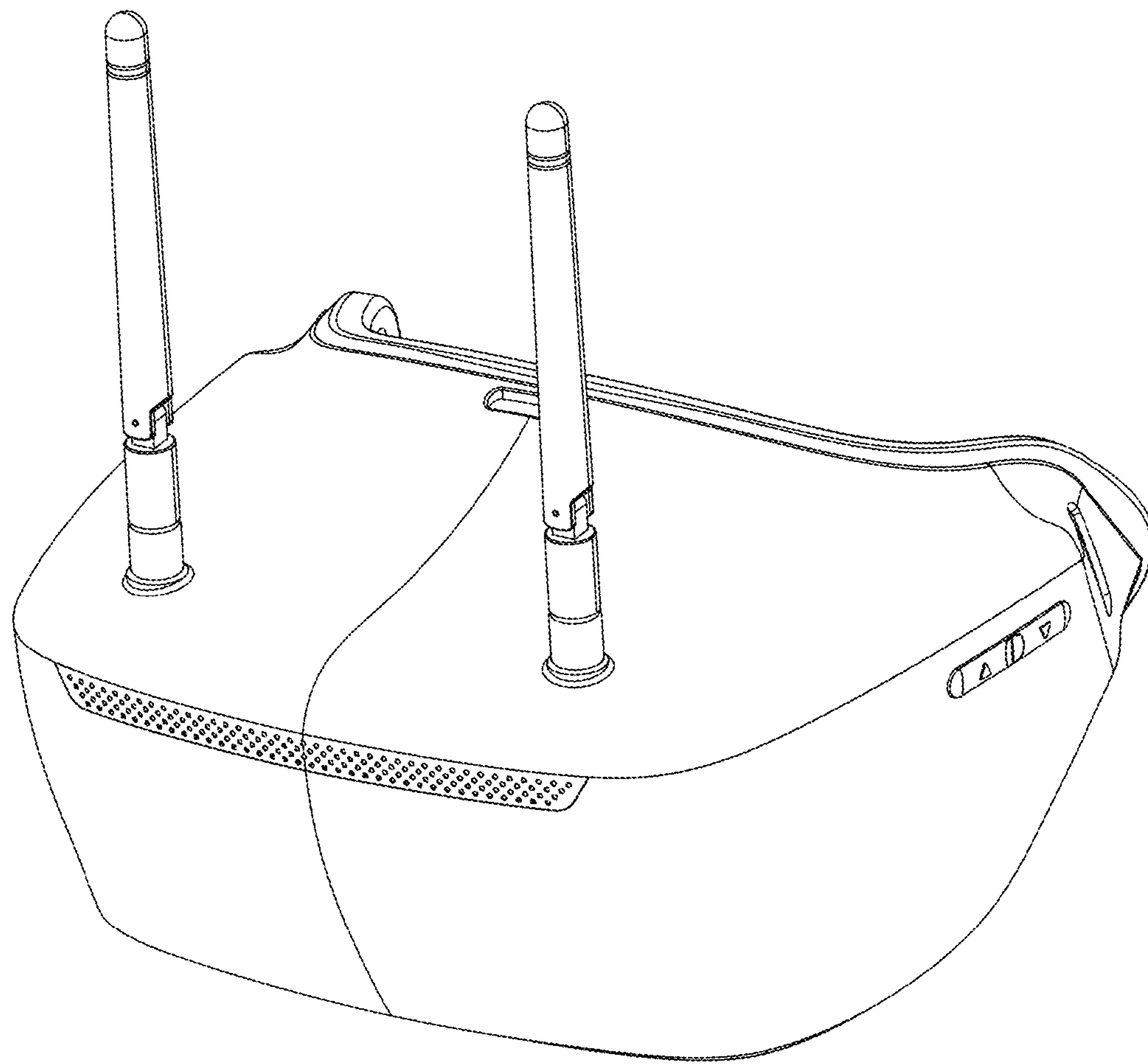


FIG. 7

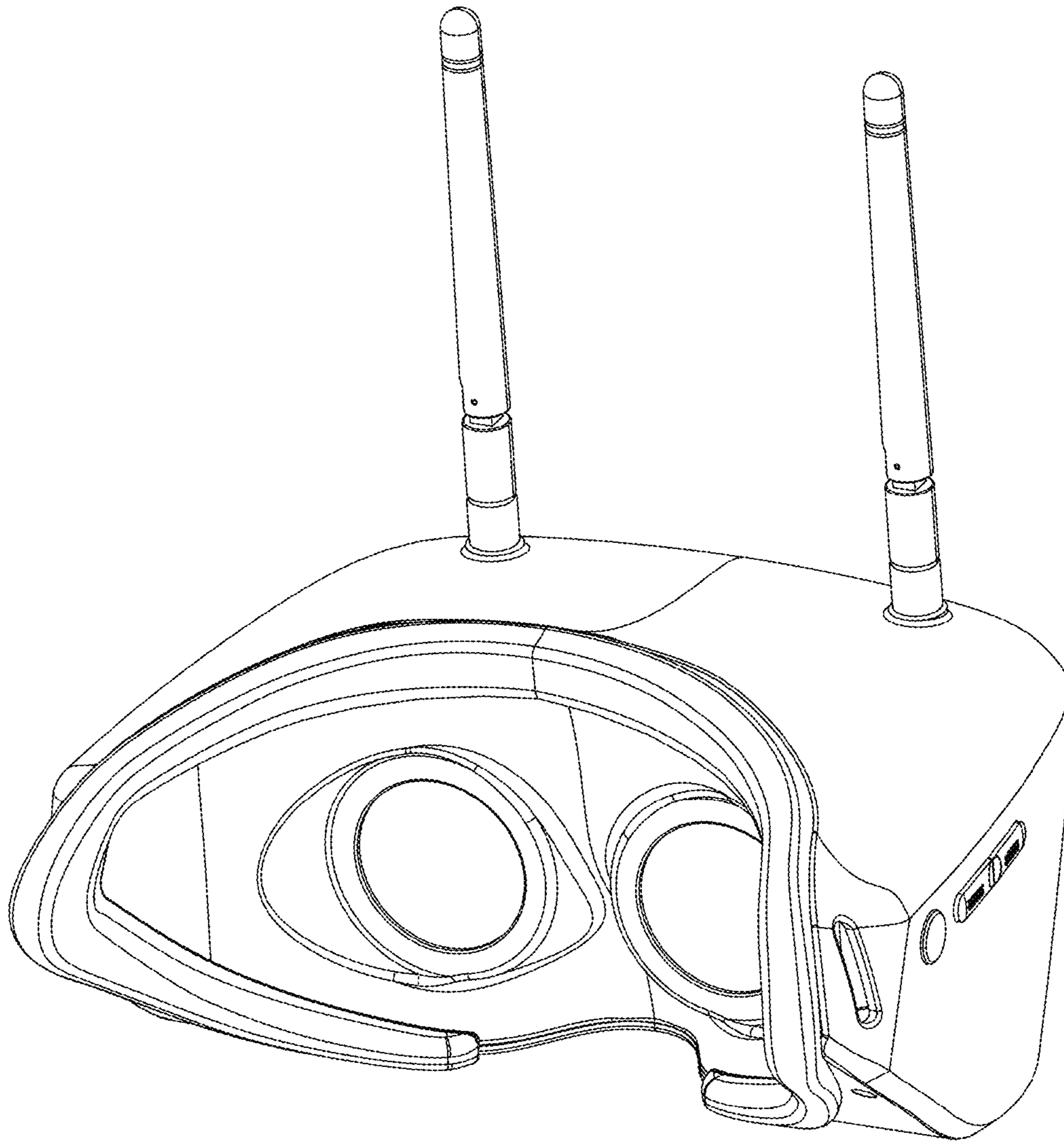


FIG. 8

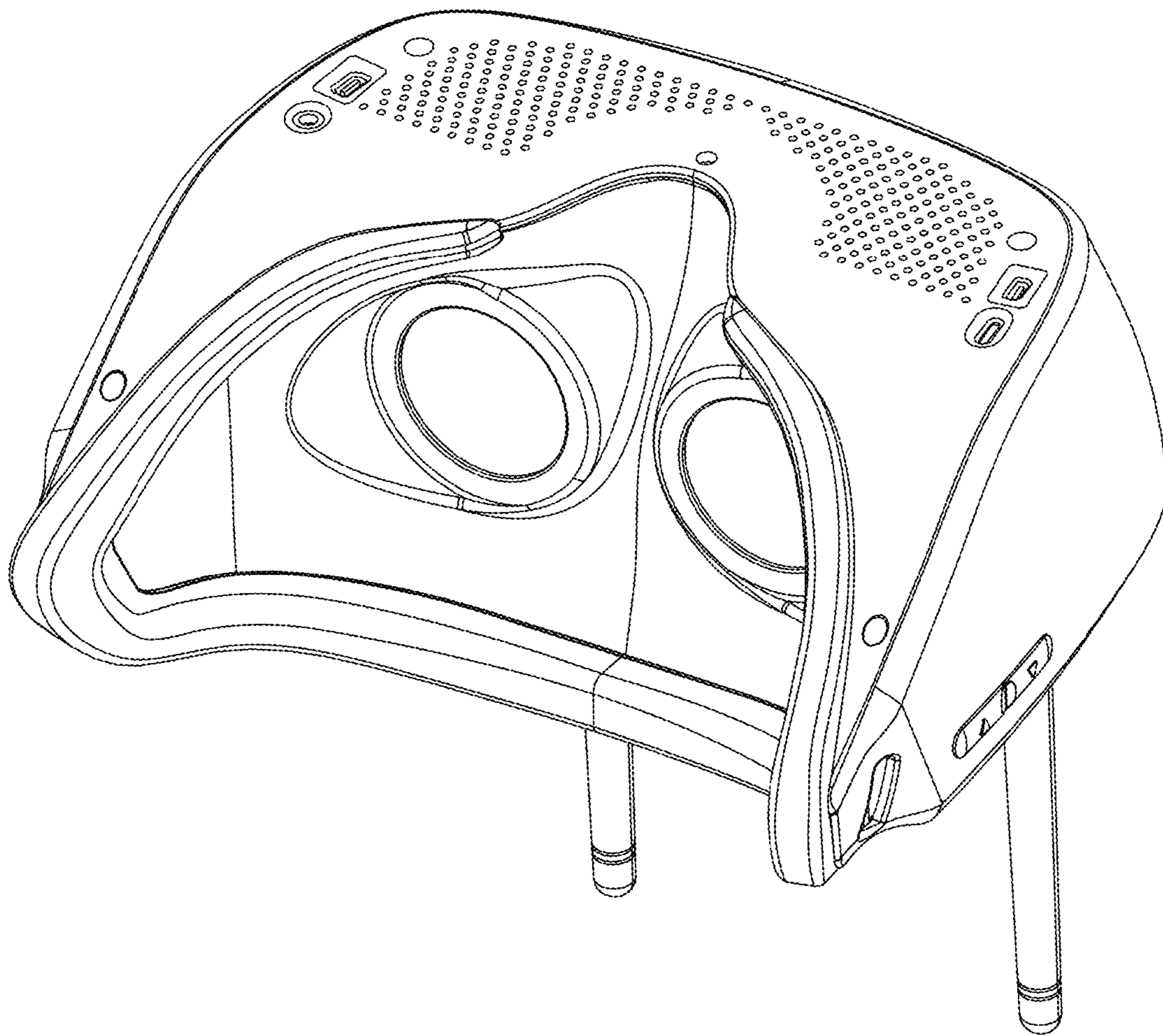


FIG. 9

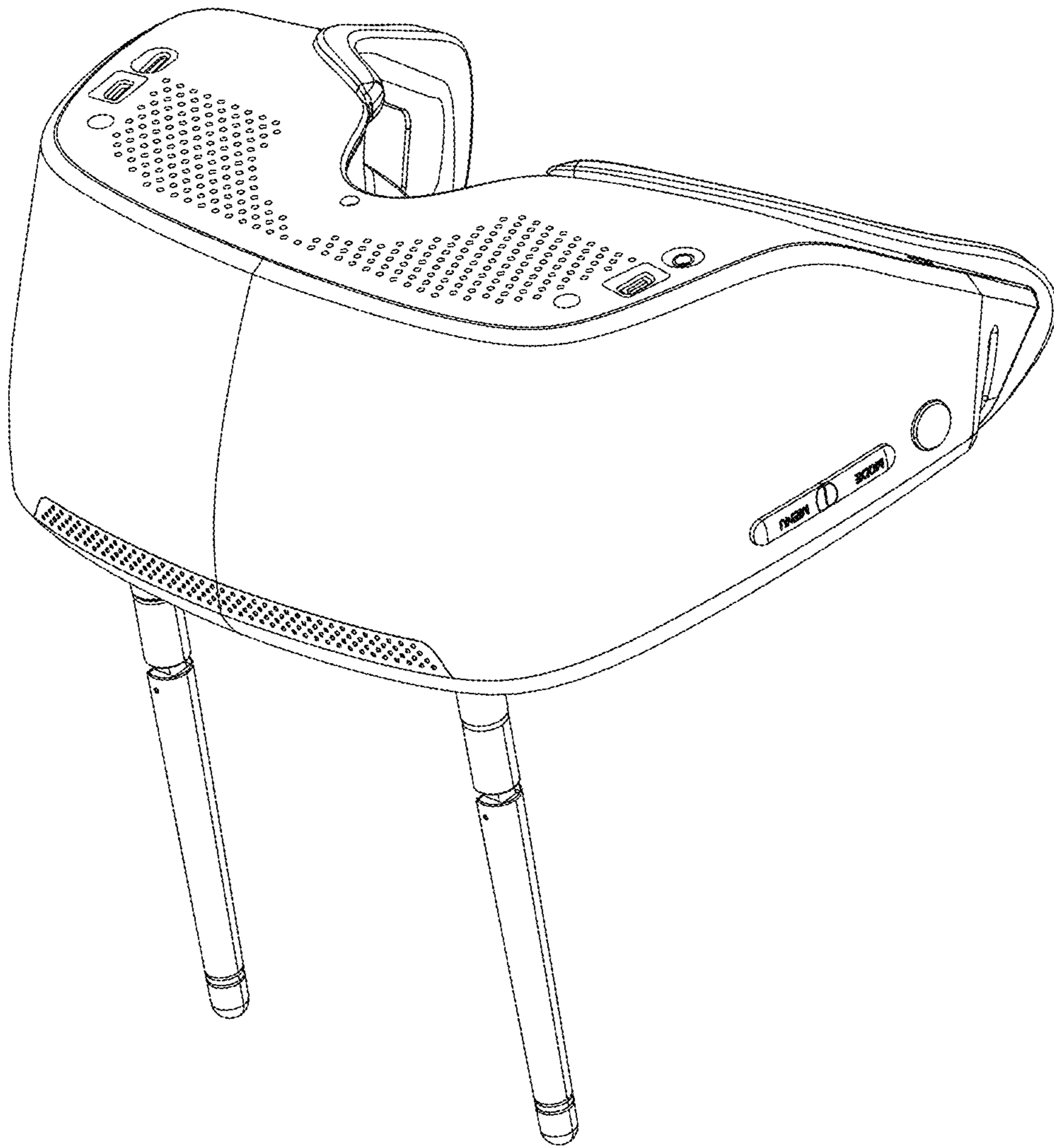


FIG. 10