



US00D785618S

(12) **United States Design Patent** (10) **Patent No.:** **US D785,618 S**
Schwibner et al. (45) **Date of Patent:** **** May 2, 2017**

- (54) **RUGGED TABLET**
- (71) Applicant: **COMPTOLIFE, LLC**, Boca Raton, FL (US)
- (72) Inventors: **Barry Schwibner**, Boca Raton, FL (US); **Brad Schwartz**, Boca Raton, FL (US); **Eric Judge**, Boca Raton, FL (US)
- (73) Assignee: **COMPTOLIFE, LLC**, Boca Raton, FL (US)
- (**) Term: **15 Years**
- (21) Appl. No.: **29/568,383**
- (22) Filed: **Jun. 17, 2016**
- (51) **LOC (10) Cl.** **14-02**
- (52) **U.S. Cl.**
USPC **D14/341**
- (58) **Field of Classification Search**
USPC D14/341-347, 137, 138 R, 138 AA, D14/138 C, 138 G, 496, 203.1, 203.3, D14/203.4, 203.7, 129, 130, 147, 218, D14/247, 248, 250, 385, 388, 389, D14/315-318, 420, 426, 439; D21/324, D21/329, 330, 332
CPC . A63H 33/3016; G06F 1/1613; G06F 1/1647; G06F 1/1641; G06F 3/04883; G06F 3/0486; G06F 3/04847; G06F 3/04845; G06F 3/0484; H04M 1/0279; H04M 1/0281; H04M 1/0283
See application file for complete search history.

(56) **References Cited**

U.S. PATENT DOCUMENTS

- 5,583,742 A * 12/1996 Noda G06F 1/1626 248/632
- D531,177 S * 10/2006 Okanoya D14/346
- D624,615 S * 9/2010 Kusmierz D21/686
- D627,780 S * 11/2010 Kuroda D14/346

- D638,943 S * 5/2011 Daniel D24/172
- D672,767 S * 12/2012 Yoneya D14/341
- D674,386 S * 1/2013 Mak D14/341
- D676,043 S * 2/2013 Hirose D14/341
- D684,150 S * 6/2013 Goradesky D14/250
- D688,221 S * 8/2013 Zuffo D14/138 G
- D694,752 S * 12/2013 Li D14/341
- D701,203 S * 3/2014 Katori D14/341
- D703,665 S * 4/2014 Suzuki D14/341
- D705,747 S * 5/2014 Boucquey D14/138 G

(Continued)

OTHER PUBLICATIONS

Getac F110 Review, announced Mar. 26, 2014 [online], [site visited Dec. 7, 2016]. Available from Internet, URL: <<http://www.laptopmag.com/reviews/tablets/getac-f110>>.*

(Continued)

Primary Examiner — Barbara Fox
Assistant Examiner — Dana K Weiland
(74) *Attorney, Agent, or Firm* — The Roy Gross Law Firm, LLC; Roy Gross

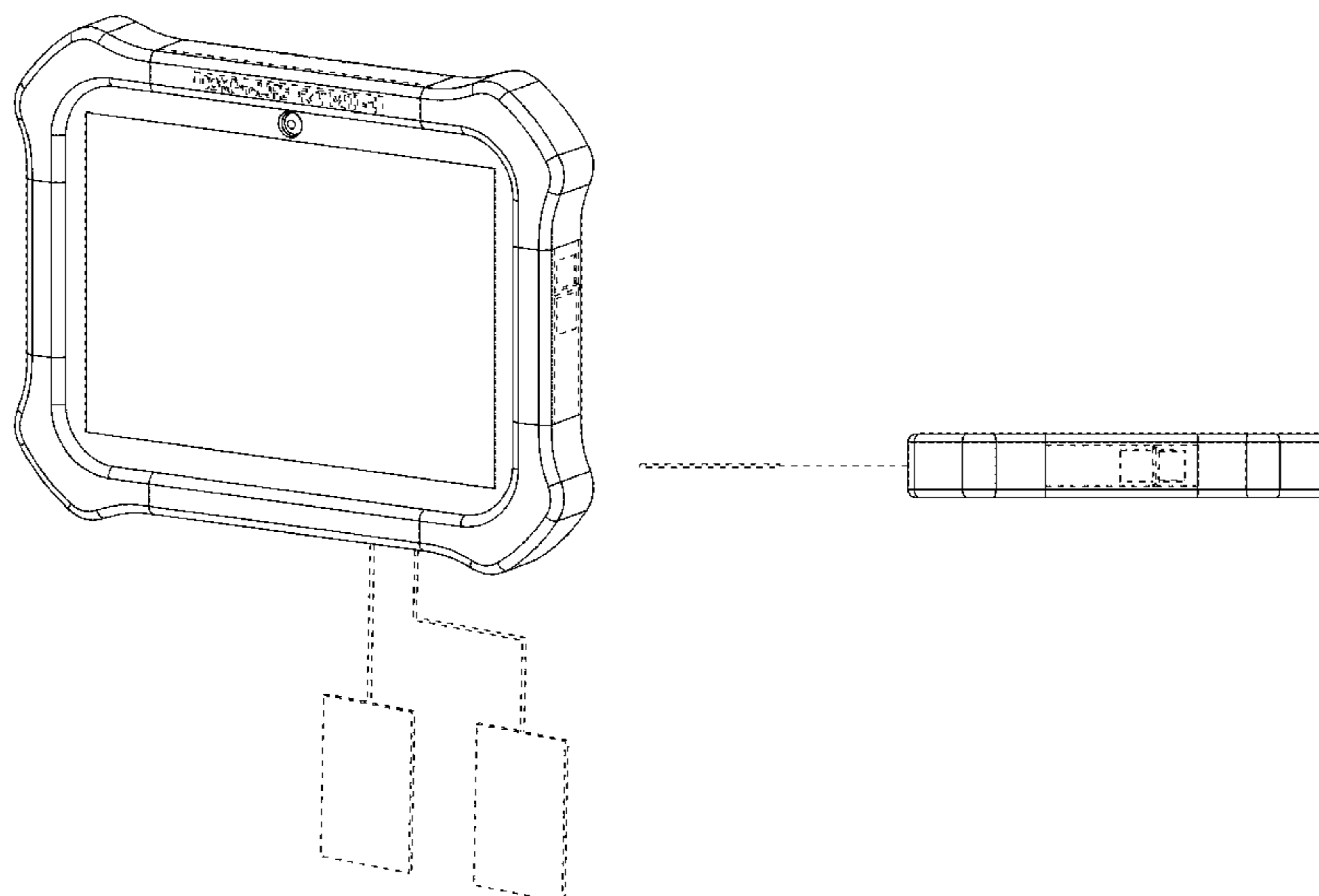
(57) **CLAIM**

The ornamental design for a rugged tablet, as shown and described.

DESCRIPTION

FIG. 1 is a front perspective view of a rugged tablet in accordance with the new design.
FIG. 2 is a front elevation view thereof;
FIG. 3 is a right side elevation view thereof;
FIG. 4 is a rear elevation view thereof;
FIG. 5 is a left side elevation view thereof;
FIG. 6 is a bottom plan view thereof; and,
FIG. 7 is a top plan view thereof.
The broken lines shown in FIGS. 1-7 are directed to environment of the rugged tablet and portions of the rugged tablet. The broken lines form no part of the claimed design.

1 Claim, 7 Drawing Sheets



(56)

References Cited

U.S. PATENT DOCUMENTS

D712,864 S * 9/2014 Hirota D14/138 G
D718,315 S * 11/2014 Carpenter D14/439
D719,151 S * 12/2014 Hirayama D14/341
D719,565 S * 12/2014 Hirayama D14/341
D723,028 S * 2/2015 Leonard D14/316
D746,278 S * 12/2015 Chen D14/341
2013/0271897 A1 * 10/2013 Limber H04B 1/3888
361/679.01

OTHER PUBLICATIONS

Panasonic Toughpad FZ-G1 Review, announced Aug. 5, 2013
[online], [site visited Dec. 7, 2016]. Available from Internet, URL:
<<http://www.laptopmag.com/reviews/tablets/panasonic-toughpad-fz-g1>>.*

* cited by examiner

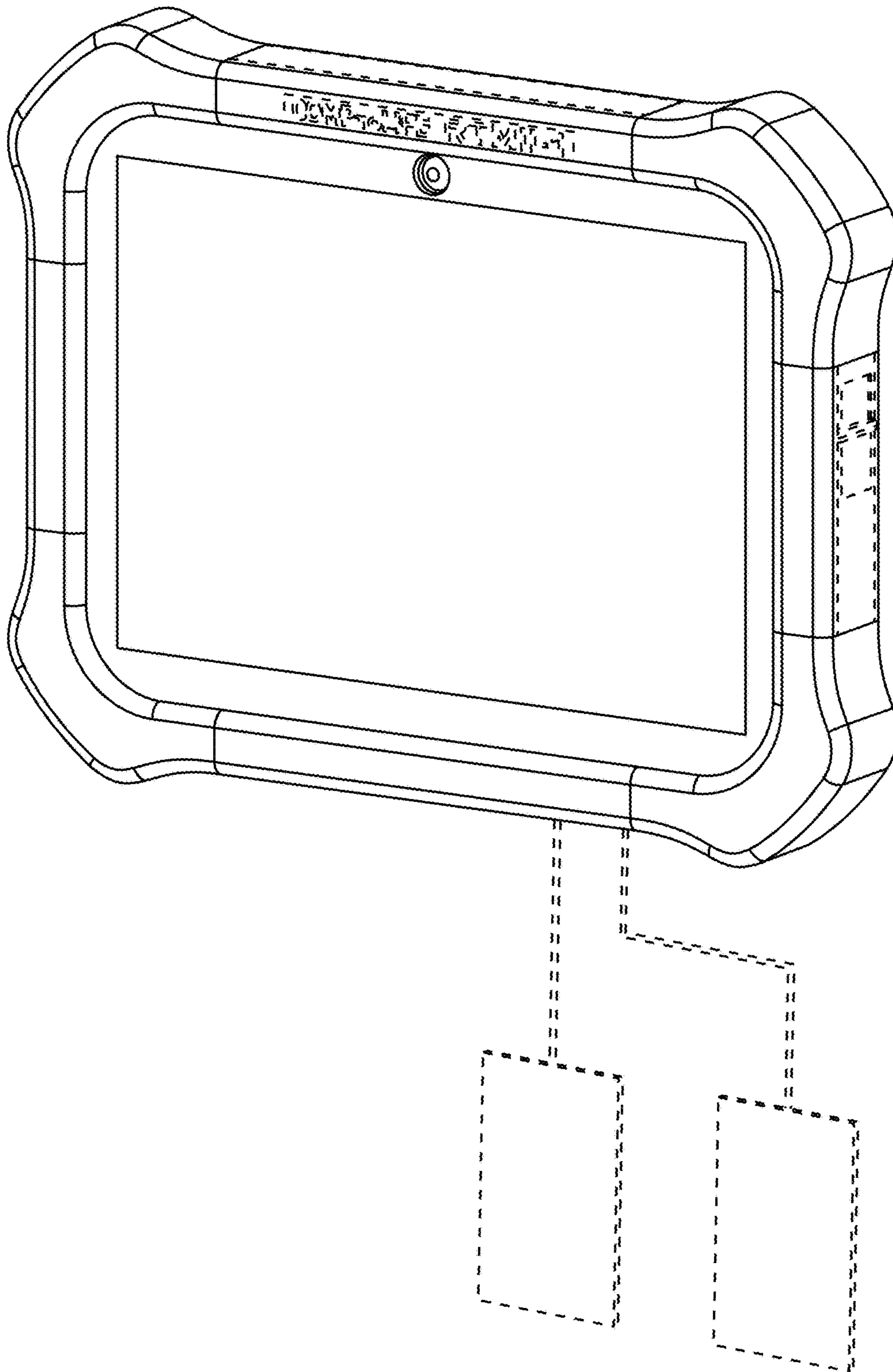


FIG. 1

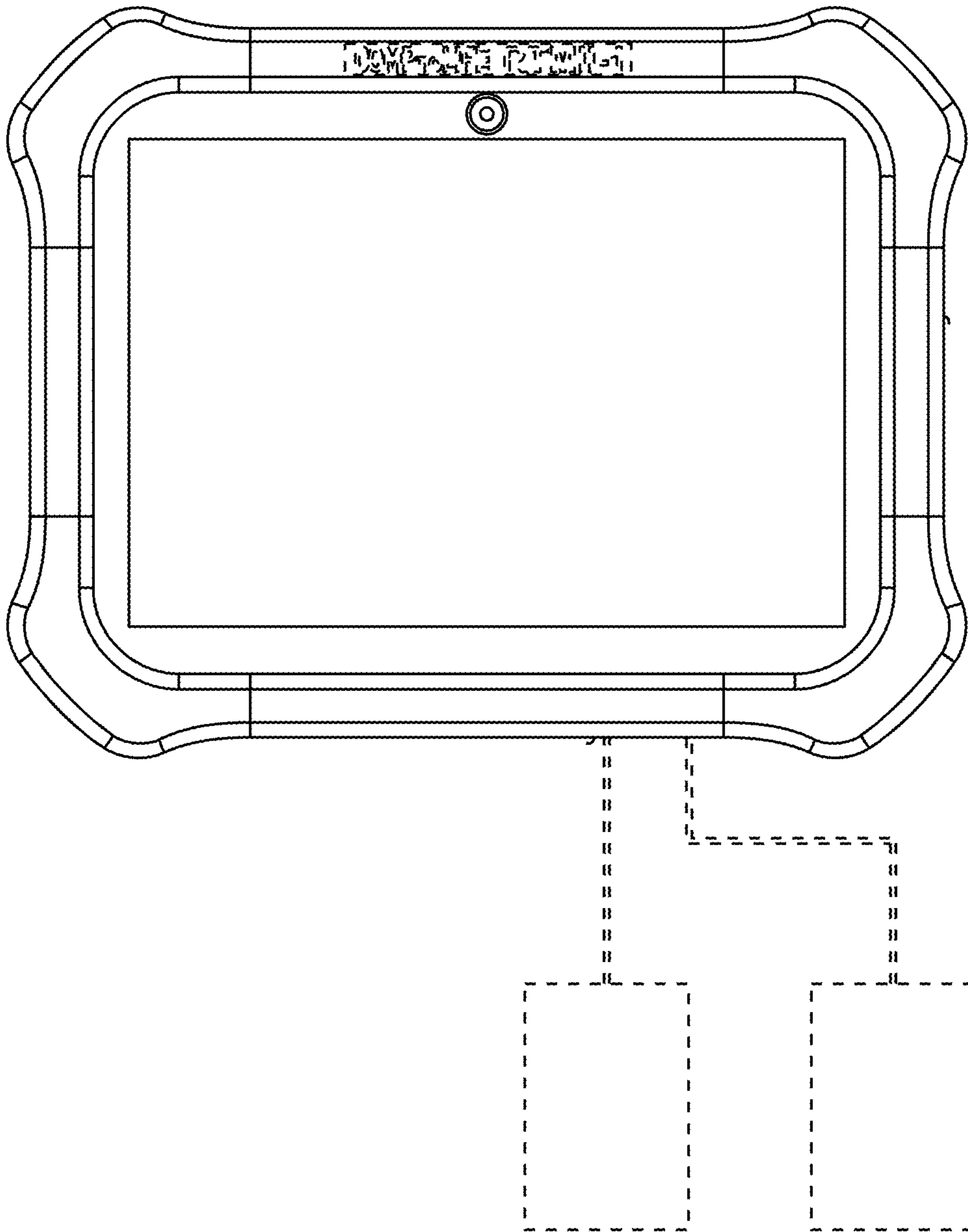


FIG. 2

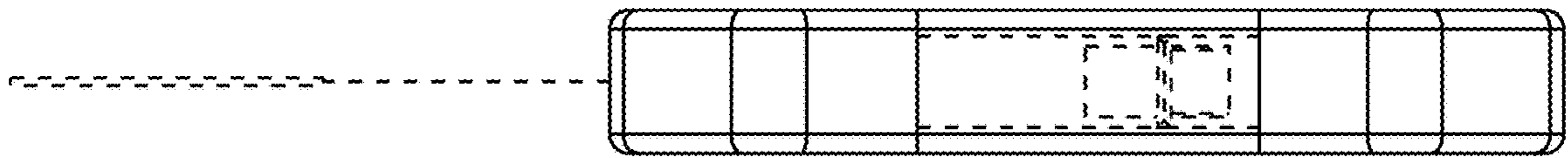


FIG. 3

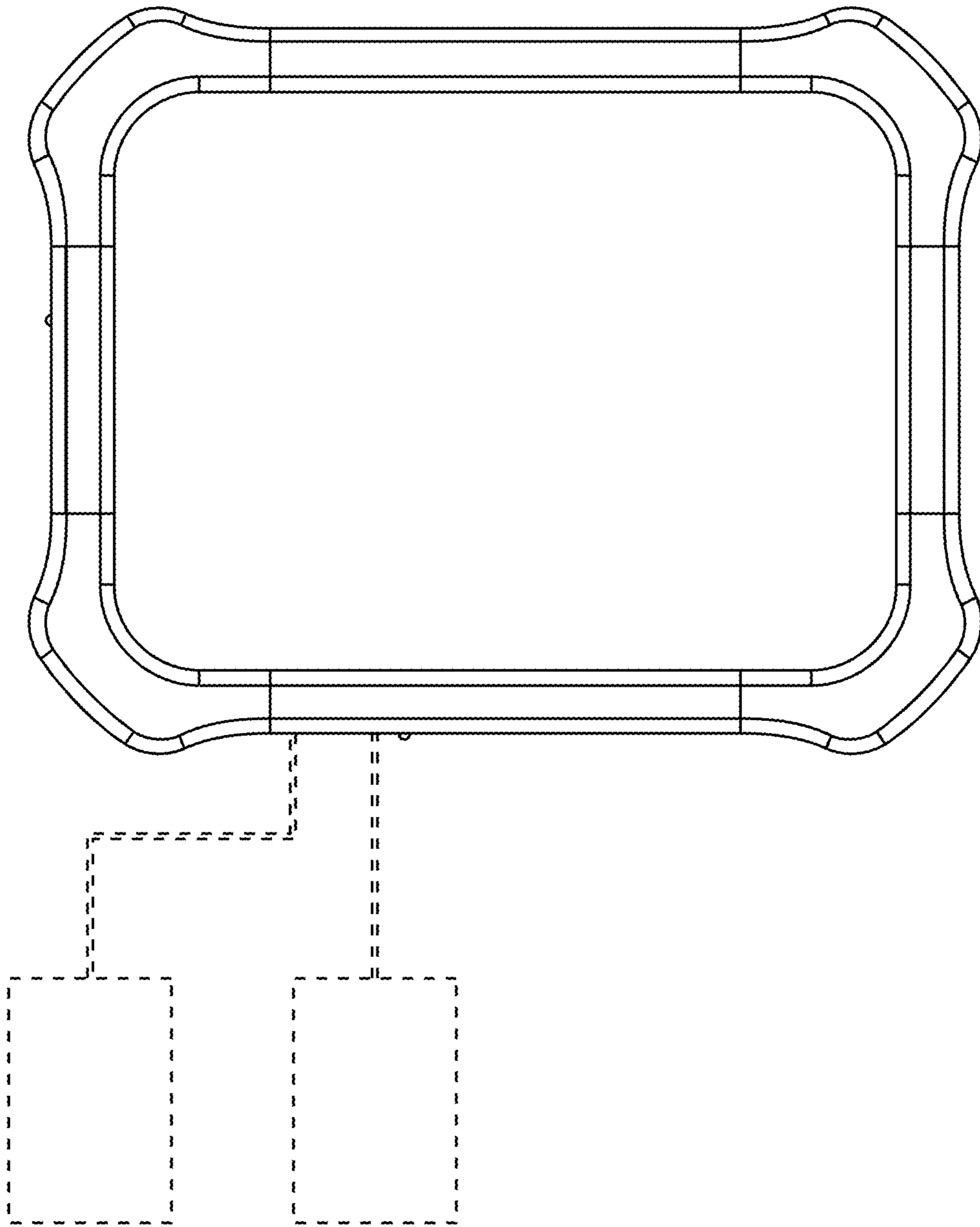


FIG. 4

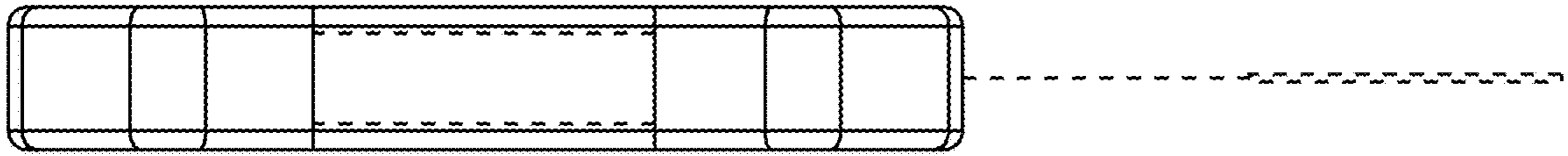


FIG. 5



FIG. 6



FIG. 7