



US00D785616S

(12) **United States Design Patent**
Zimmermann et al.

(10) **Patent No.:** **US D785,616 S**

(45) **Date of Patent:** **** May 2, 2017**

- (54) **SERVER ENCLOSURE**
- (71) Applicant: **ZPE Systems, Inc.**, Fremont, CA (US)
- (72) Inventors: **Arnaldo Zimmermann**, Dublin, CA (US); **Livio Ceci**, Fremont, CA (US)
- (73) Assignee: **ZPE SYSTEMS, INC.**, Fremont, CA (US)
- (**) Term: **15 Years**

D475,705 S *	6/2003	Coglitore	D14/356
6,741,467 B2 *	5/2004	Coglitore	G06F 1/18 174/377
D598,457 S *	8/2009	Vaughan	D14/444
D608,776 S *	1/2010	Kang	D14/301
8,416,563 B2 *	4/2013	Hou	H05K 7/1489 211/26
D699,718 S *	2/2014	Kuehn	D14/313
D719,128 S *	12/2014	Teulie	D14/188
D730,307 S *	5/2015	Tang	D14/125
2003/0002261 A1 *	1/2003	Berry	H05K 7/1489 361/727

- (21) Appl. No.: **29/548,550**
- (22) Filed: **Dec. 15, 2015**
- (51) **LOC (10) Cl.** **14-02**
- (52) **U.S. Cl.**
USPC **D14/313**
- (58) **Field of Classification Search**
USPC D14/240, 300, 301, 308, 313, 314,
D14/348-356, 364-368, 441-446, 188;
D13/123, 158, 162, 184, 199;
312/223.1-223.3, 351.11;
360/99.01-99.12; 369/34.01-36.01;
361/679.31-679.33, 679.37, 679.39,
361/679.46, 679.53, 679.4, 679.41, 727
CPC . G06F 1/20; G06F 1/181; G06F 1/187; G06F
1/183; G06F 1/184; G06F 1/16; H05K
7/16; H05K 7/1424; H05K 7/1409; H05K
7/20; H05K 7/20545; H05K 7/20727;
H05K 7/1425; H05K 7/1488; H05K
7/183; H05K 7/14; H05K 5/00; H05K
7/00; H05H 7/20; G11B 33/126; G11B
33/128; G11B 33/08; G11B 33/02
See application file for complete search history.

* cited by examiner

Primary Examiner — Freda S Nunn

(74) *Attorney, Agent, or Firm* — David Grossman

(56) **References Cited**
U.S. PATENT DOCUMENTS

D376,360 S *	12/1996	Teulie	D14/188
D431,239 S *	9/2000	Sasago	D14/214

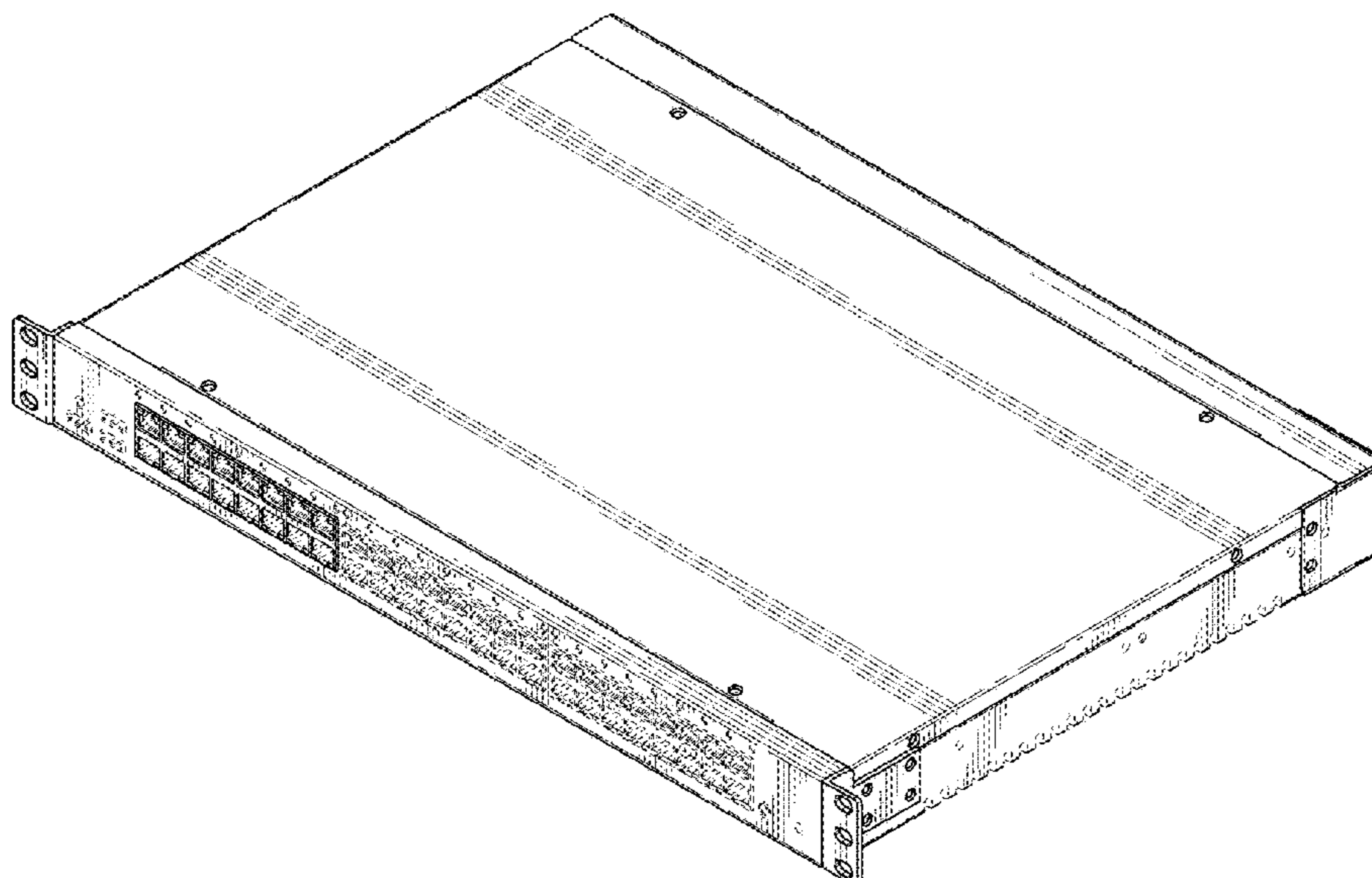
(57) **CLAIM**

The ornamental design for a server enclosure, as shown and described.

DESCRIPTION

FIG. 1 is a front perspective view of the server enclosure showing our design;
 FIG. 2 is a front elevational view thereof;
 FIG. 3 is a rear elevational view thereof;
 FIG. 4 is a right side elevational view thereof;
 FIG. 5 is a left side elevational view thereof;
 FIG. 6 is a top view thereof;
 FIG. 7 is a bottom view thereof; and,
 FIG. 8 is a rear side perspective view thereof.
 Broken lines shown for illustrative purposes only and form no part of the claimed design.

1 Claim, 5 Drawing Sheets



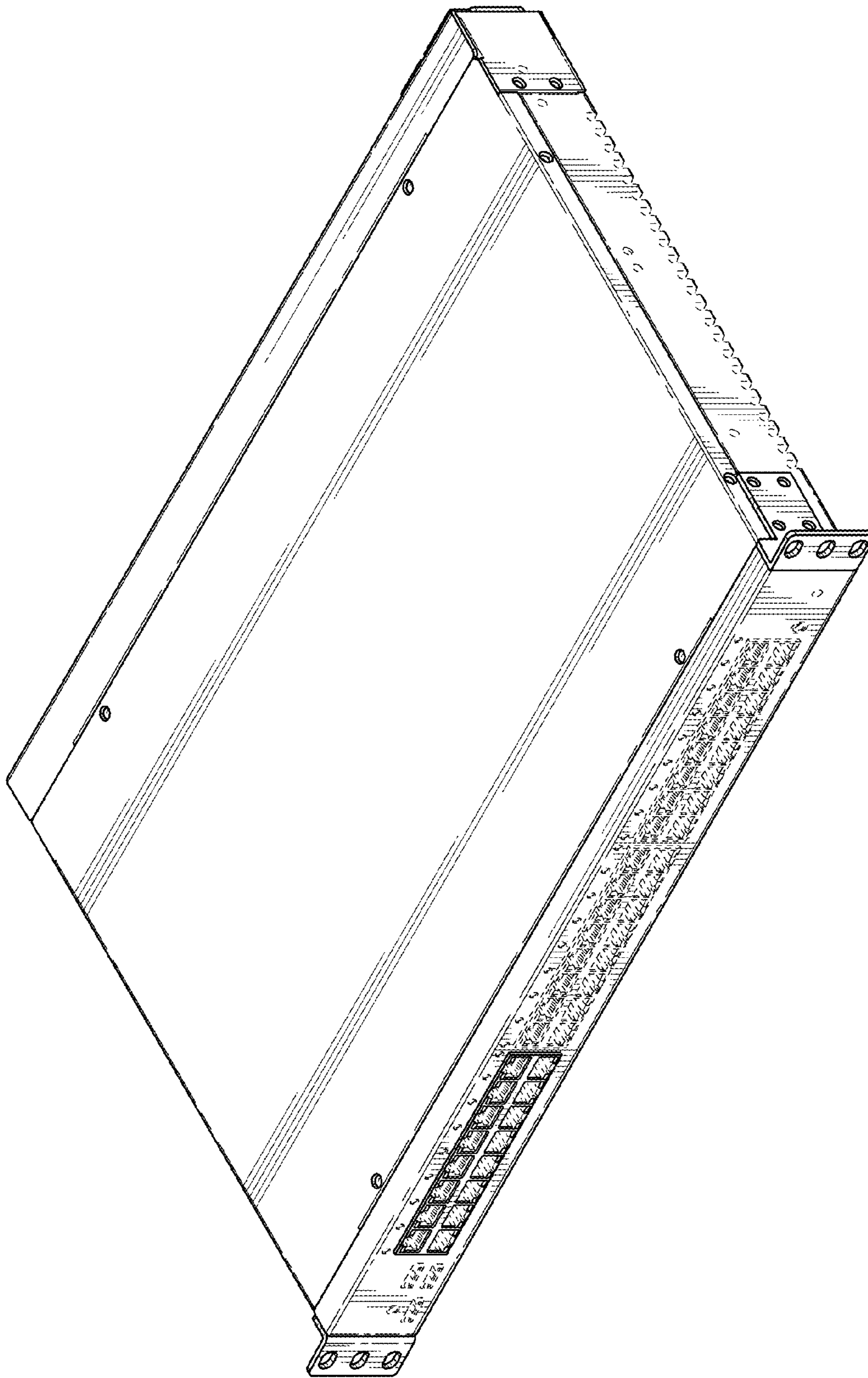


FIG. 1

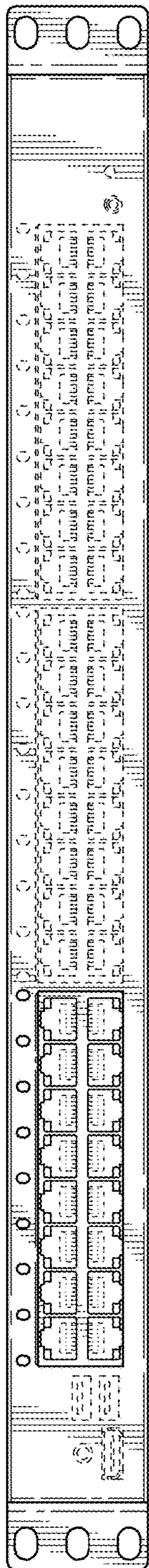


FIG. 2

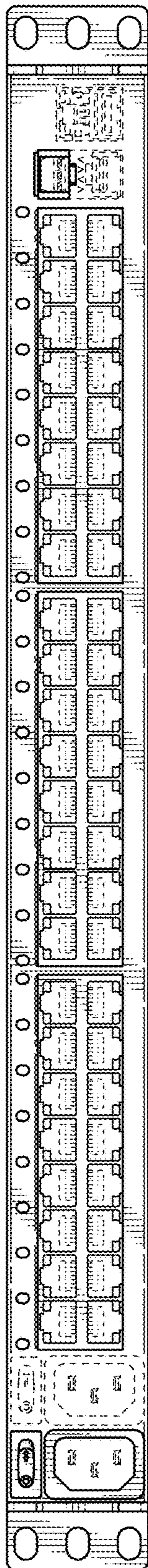


FIG. 3

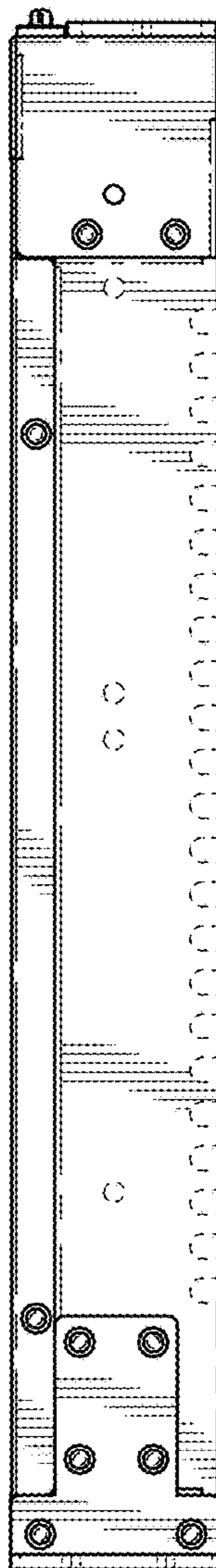


FIG. 4

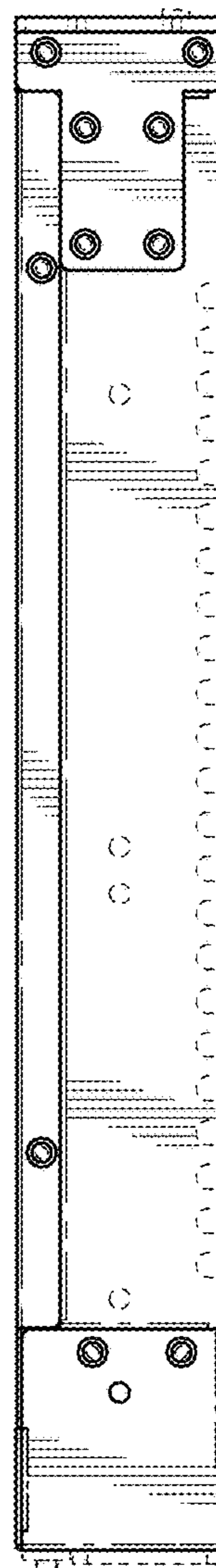


FIG. 5

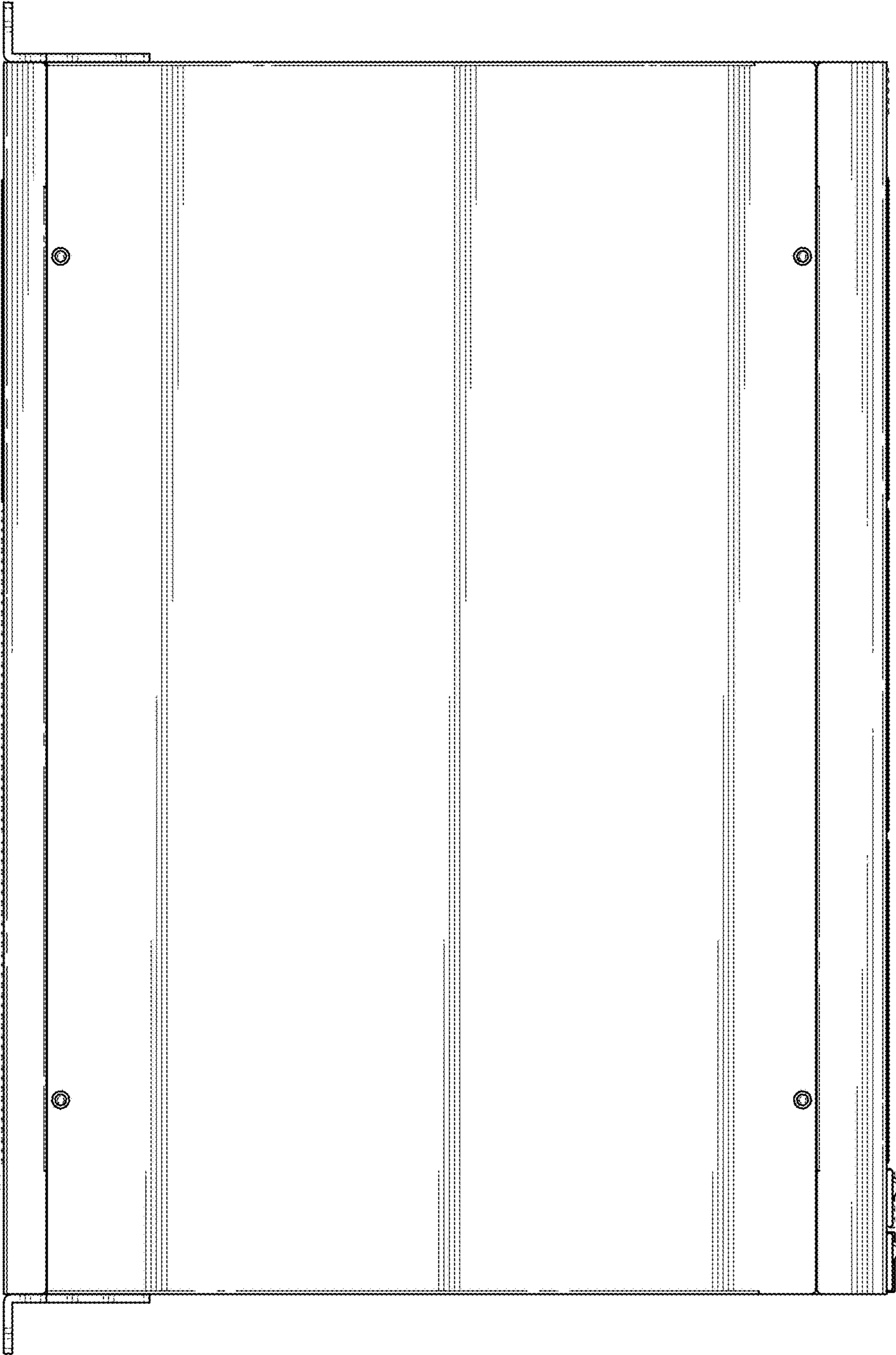


FIG. 6

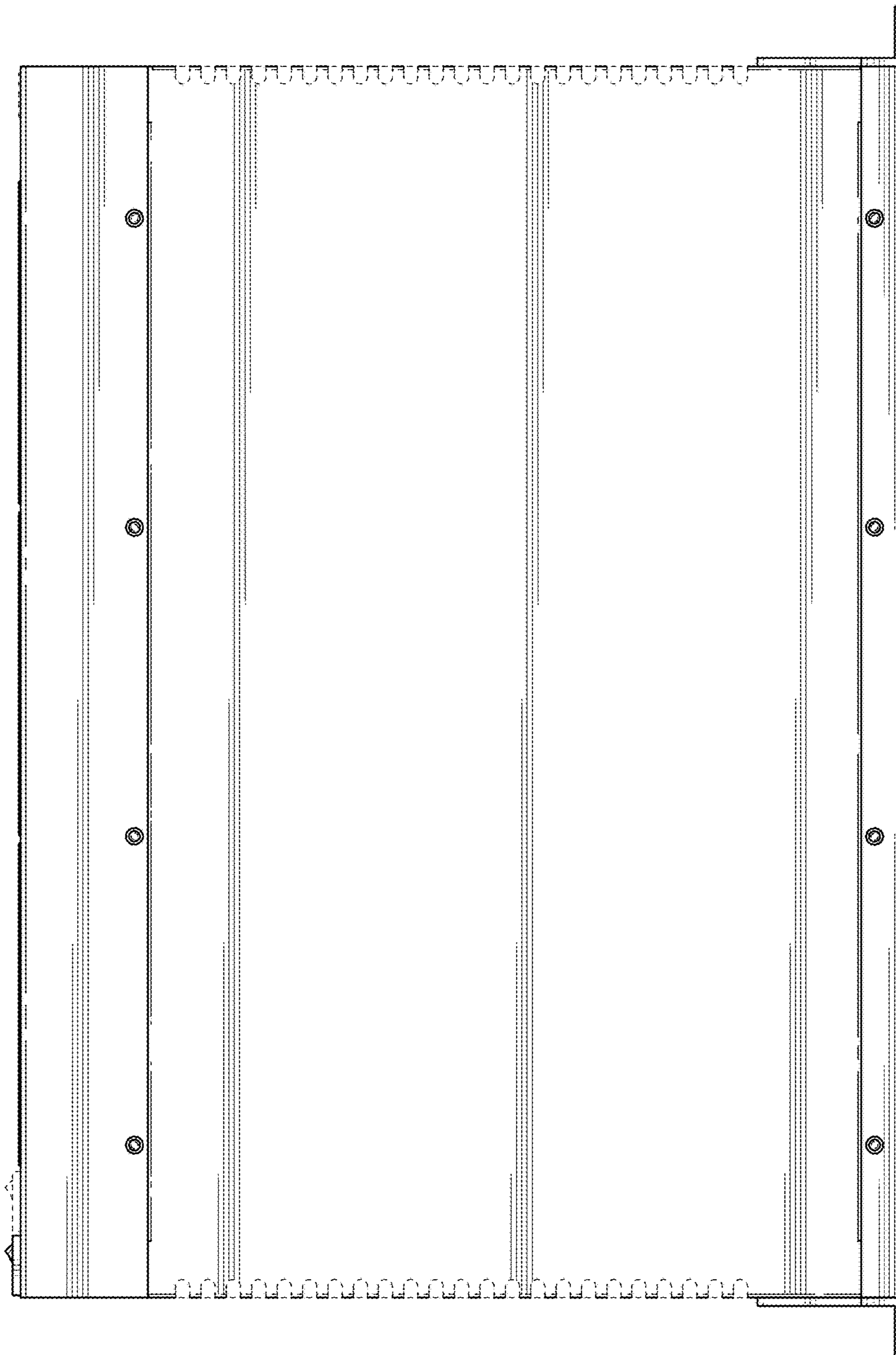


FIG. 7

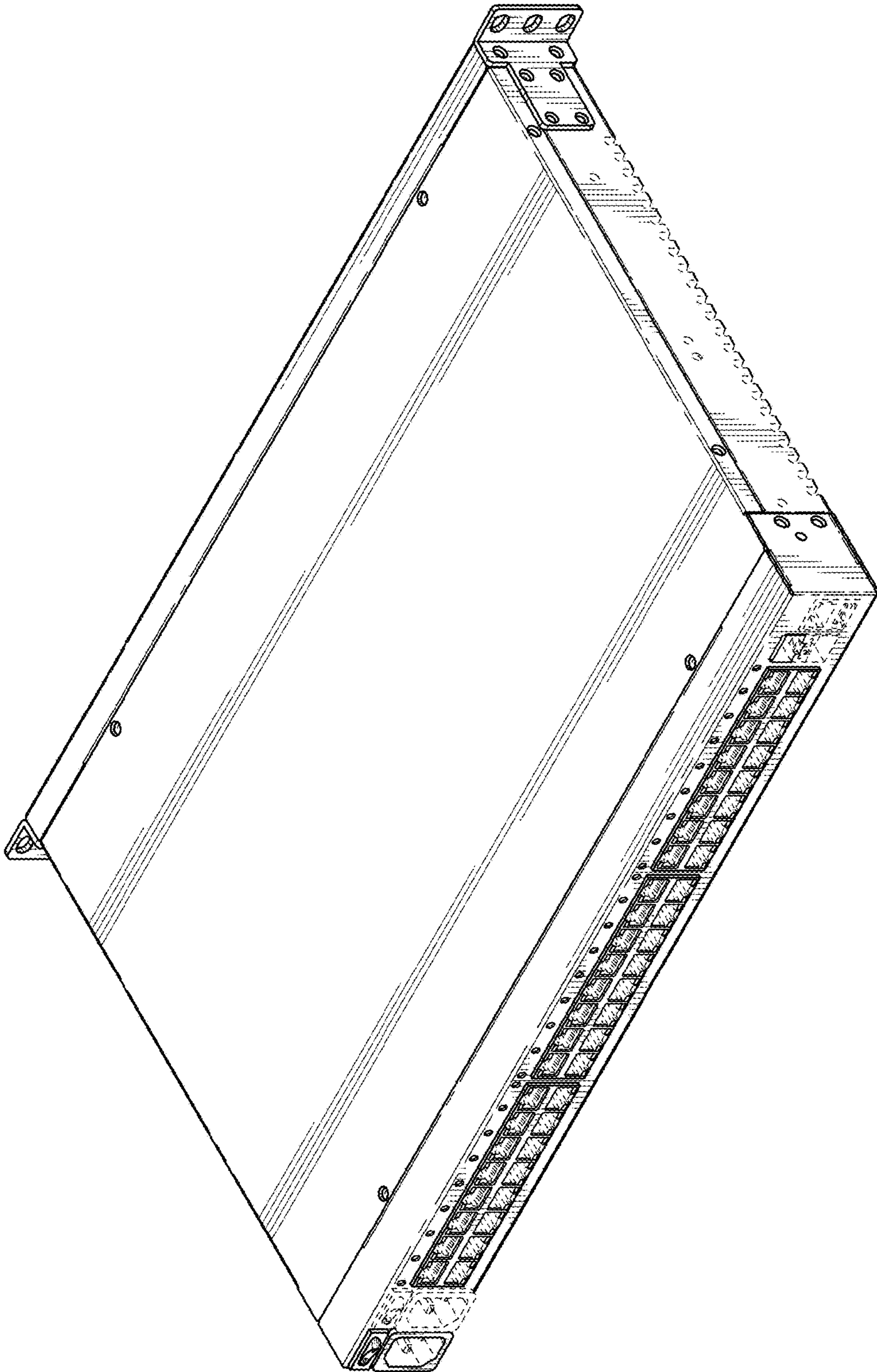


FIG. 8