



US00D785609S

(12) **United States Design Patent** (10) **Patent No.:** **US D785,609 S**  
**Bellows** (45) **Date of Patent:** **\*\* May 2, 2017**

- (54) **WLAN MODULE**
- (71) Applicant: **SYMBOL TECHNOLOGIES, LLC**,  
Lincolnshire, IL (US)
- (72) Inventor: **David E. Bellows**, Wantagh, NY (US)
- (73) Assignee: **Symbol Technologies, LLC**, Holtsville,  
NY (US)
- (\*\*) Term: **15 Years**
- (21) Appl. No.: **29/550,658**
- (22) Filed: **Jan. 6, 2016**
- (51) **LOC (10) Cl.** ..... **14-02**
- (52) **U.S. Cl.**  
USPC ..... **D14/240; D14/230; D14/358**
- (58) **Field of Classification Search**  
USPC ..... D14/356, 357, 358, 361, 362, 365, 367,  
D14/370, 432, 434, 230, 235, 240, 242,  
D14/299, 125, 137, 155, 168, 188;  
D13/107, 108, 123, 162, 162.1, 163, 184,  
D13/199; D10/46, 61, 62, 65, 70, 74, 75,  
D10/104.1, 106.1, 121  
CPC ... H04W 88/06; H04W 88/085; H04W 84/02;  
H01Q 1/2291; H01Q 1/24; H01Q 1/241;  
H01Q 1/247; H01Q 1/248; H01Q 1/38;  
H01Q 1/007  
See application file for complete search history.

(56) **References Cited**  
U.S. PATENT DOCUMENTS

D318,673 S *	7/1991	Terk .....	D14/230
D345,564 S *	3/1994	Kadono .....	D14/230
D378,592 S *	3/1997	Hartwig .....	D14/230
D396,471 S *	7/1998	Kolinen .....	D14/240
D396,724 S *	8/1998	Herbst .....	D14/230
D427,180 S *	6/2000	Humes .....	D14/230
D440,960 S *	4/2001	Barber .....	D14/230
D483,353 S *	12/2003	Hyogo .....	D14/230

D492,671 S *	7/2004	Shibano .....	D14/230
D505,416 S *	5/2005	Ma .....	D14/230
D530,317 S *	10/2006	Johnson .....	D14/242
D530,708 S *	10/2006	Maruyama .....	D14/240
D531,172 S *	10/2006	Noro .....	D14/230
D548,199 S *	8/2007	Chen .....	D10/106.1
D556,190 S *	11/2007	Liu .....	D14/240
D595,704 S *	7/2009	DiClemente .....	D14/240
D596,627 S *	7/2009	Cho .....	D14/240
D604,724 S *	11/2009	Vorreiter .....	D14/240
D606,983 S *	12/2009	Hamer .....	D14/240
D612,369 S *	3/2010	Conrad .....	D14/230
D614,610 S *	4/2010	Sala .....	D14/230
D635,106 S *	3/2011	Cheng .....	D13/184
D655,697 S *	3/2012	Petsch .....	D13/182
D656,131 S *	3/2012	Suleiman .....	D14/230
D664,126 S *	7/2012	Feit .....	D14/230
D682,266 S *	5/2013	Wu .....	D14/240

(Continued)

*Primary Examiner* — Susan Bennett Hattan  
*Assistant Examiner* — Marie Fast Horse

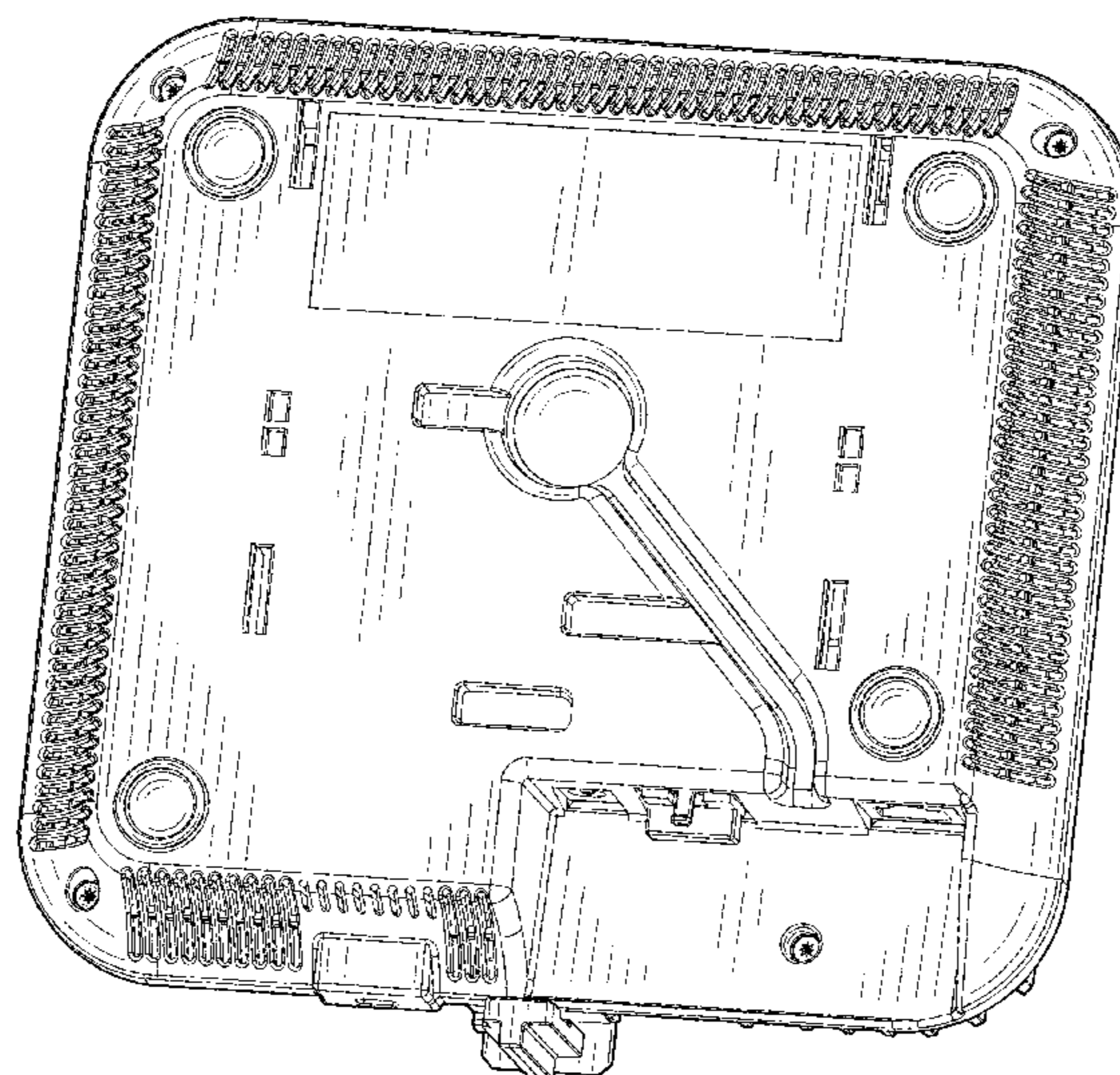
(57) **CLAIM**

The ornamental design for a WLAN module, as shown and described.

**DESCRIPTION**

FIG. 1 is a rear perspective view of a WLAN module showing the new design;  
FIG. 2 is a front perspective view thereof;  
FIG. 3 is a left side view thereof;  
FIG. 4 is a right side view thereof;  
FIG. 5 is a front view thereof;  
FIG. 6 is a rear view thereof;  
FIG. 7 is a top view thereof; and,  
FIG. 8 is a bottom view thereof.  
The broken lines and unshaded portions contained within broken lines shown in the drawings are for illustrative purposes only and depict portions of the WLAN module that form no part of the claimed design.

**1 Claim, 7 Drawing Sheets**



(56)

References Cited

U.S. PATENT DOCUMENTS

D697,059 S \* 1/2014 Miller ..... D14/230  
D730,333 S \* 5/2015 Matsumoto ..... D14/240  
D731,491 S \* 6/2015 Larson ..... D14/435  
D754,640 S \* 4/2016 Zuniga ..... D14/230  
D754,641 S \* 4/2016 Suleiman ..... D14/230  
D758,999 S \* 6/2016 Matsuoka ..... D14/230  
D759,639 S \* 6/2016 Moon ..... D14/242  
2002/0094087 A1 \* 7/2002 Dellmo ..... H04W 12/02  
380/270  
2002/0095594 A1 \* 7/2002 Dellmo ..... G06F 21/602  
726/26  
2003/0124883 A1 \* 7/2003 Hsu ..... H01Q 1/125  
439/76.1  
2008/0254761 A1 \* 10/2008 Troemel ..... H04B 1/08  
455/344  
2010/0060454 A1 \* 3/2010 Kazanchian ..... H05K 1/0218  
340/572.1  
2015/0018044 A1 \* 1/2015 Sekine ..... H04W 88/085  
455/561  
2015/0236403 A1 \* 8/2015 Cheng ..... G01S 13/505  
343/700 MS  
2016/0126624 A1 \* 5/2016 Lee ..... H01Q 1/526  
343/841  
2016/0141791 A1 \* 5/2016 Wang ..... H01R 13/516  
439/501  
2016/0149288 A1 \* 5/2016 Wang ..... H01Q 1/38  
343/906

\* cited by examiner

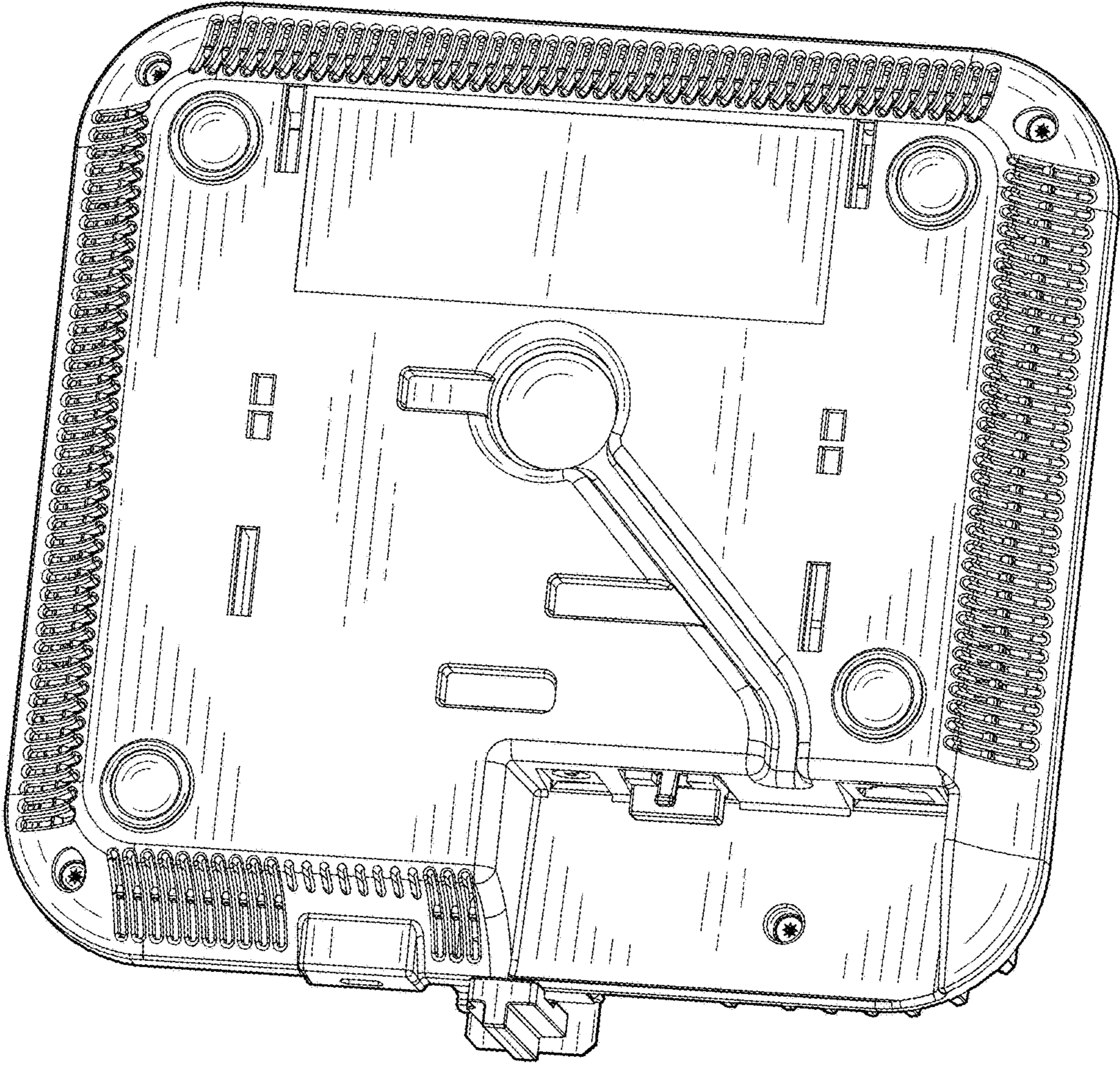


FIG. 1

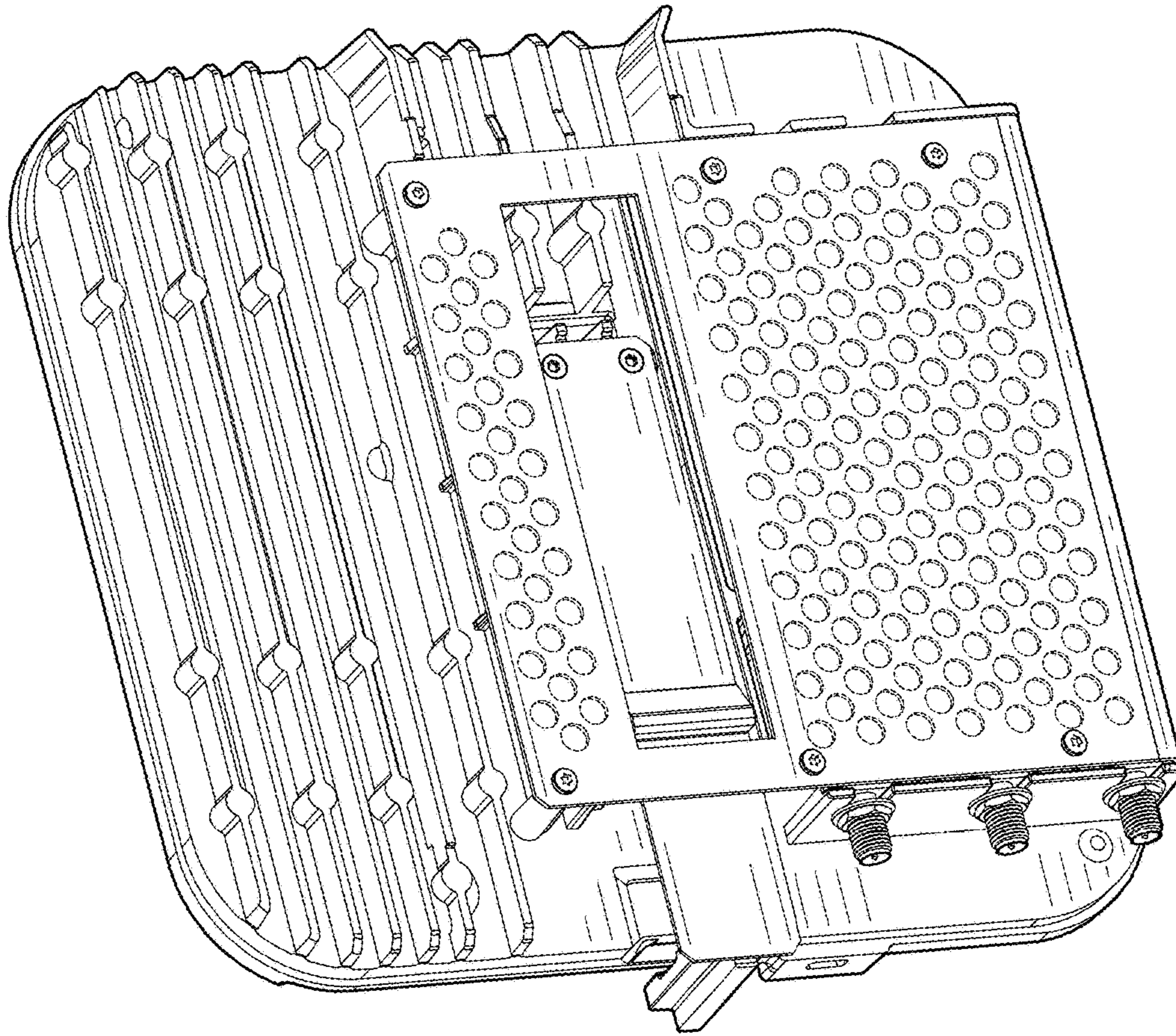


FIG. 2

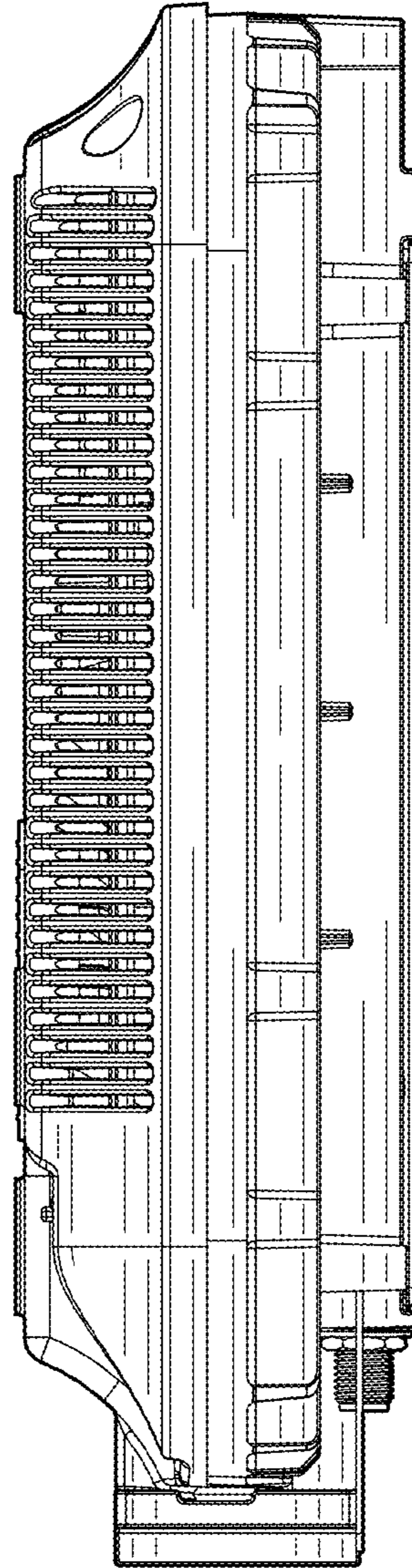


FIG. 3

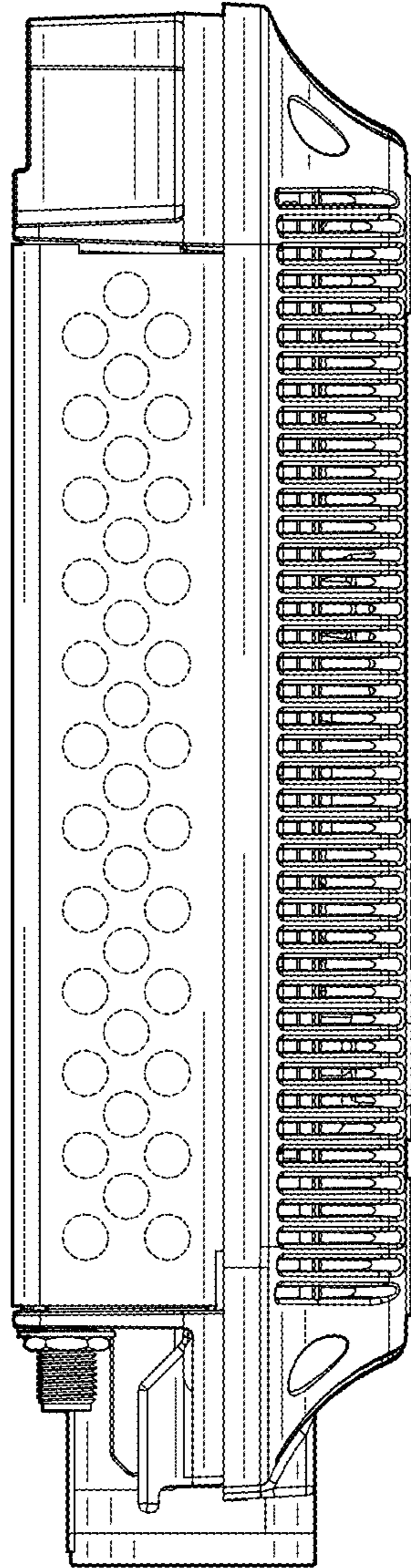


FIG. 4

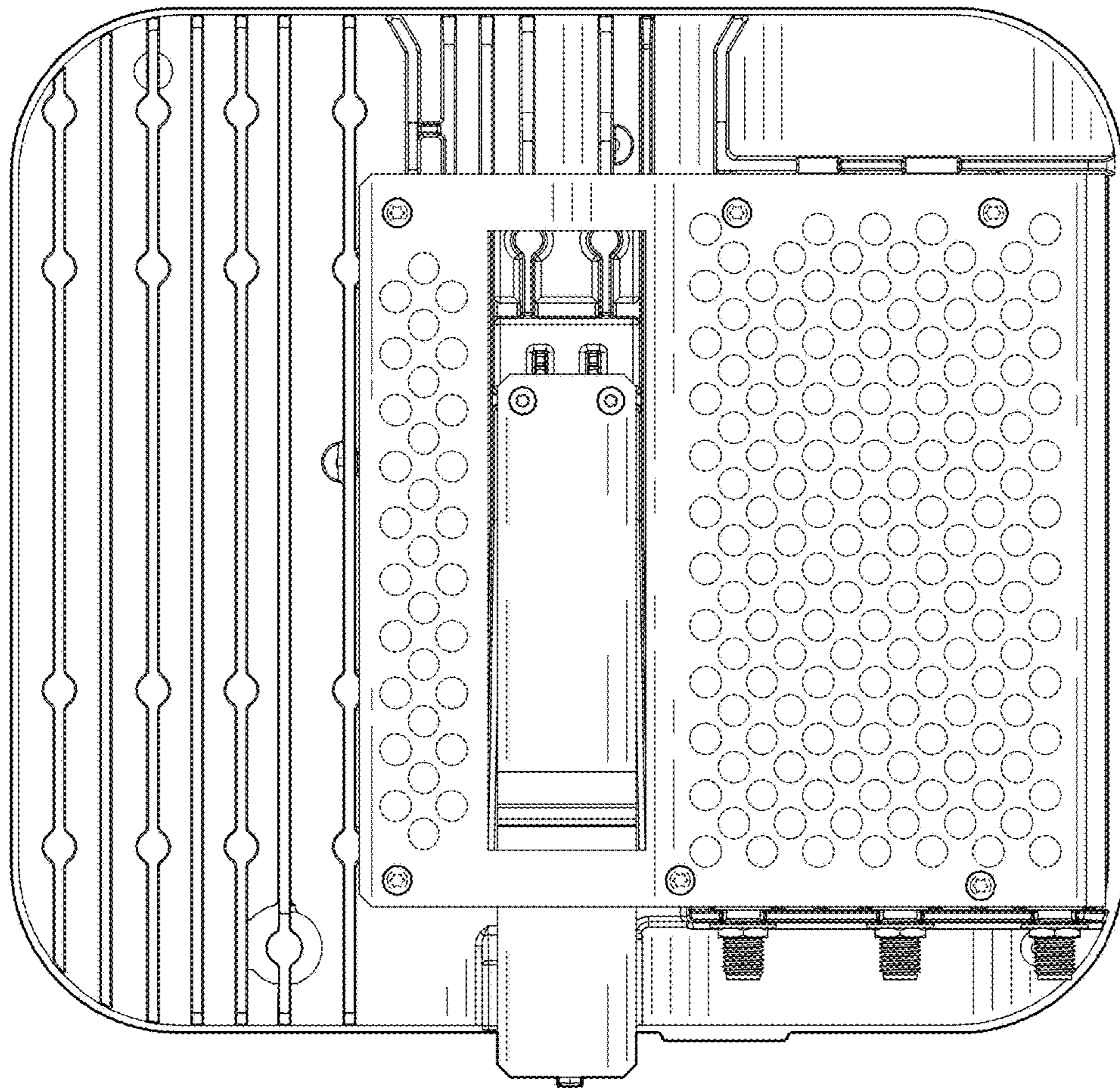


FIG. 5

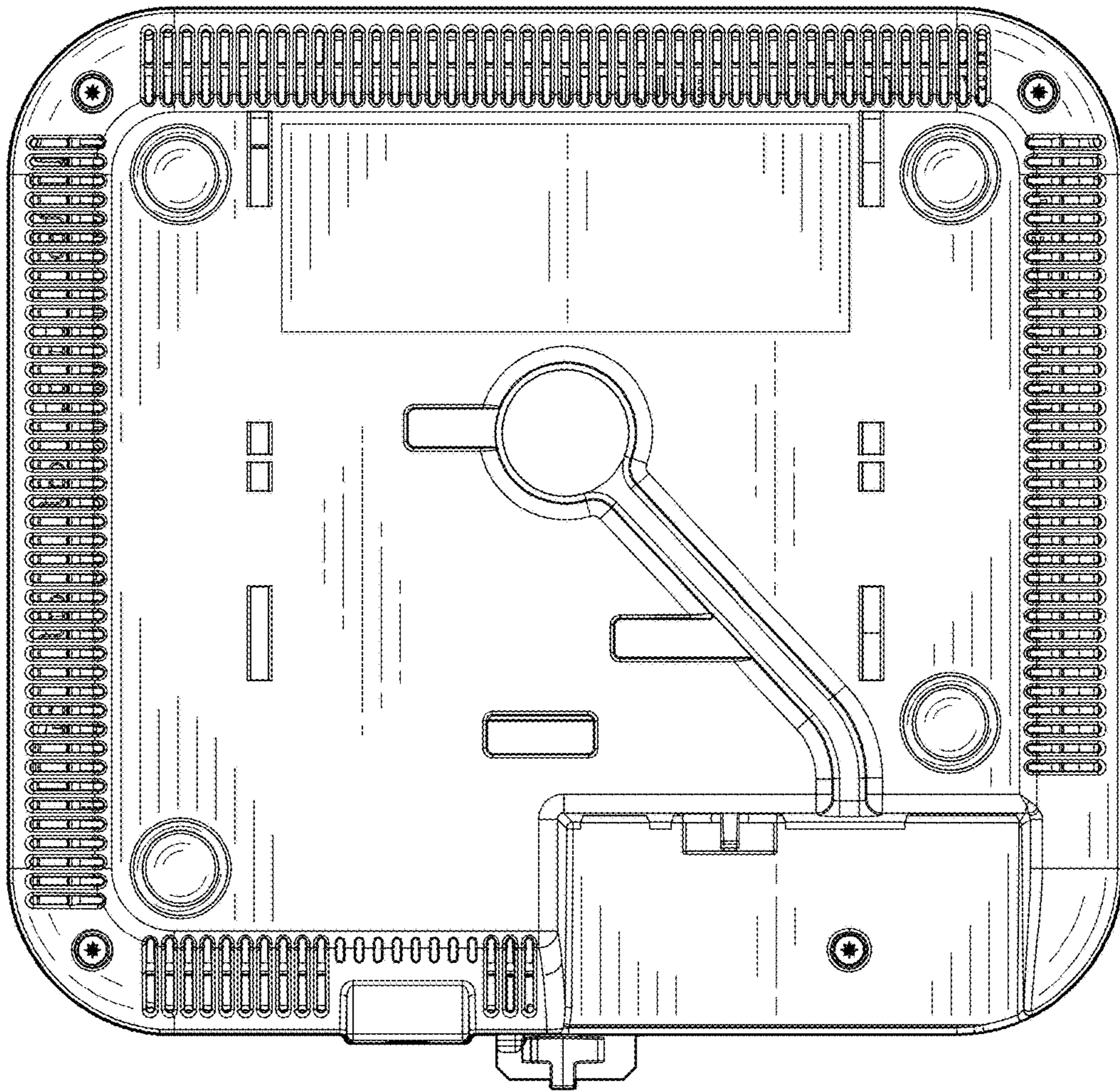


FIG. 6



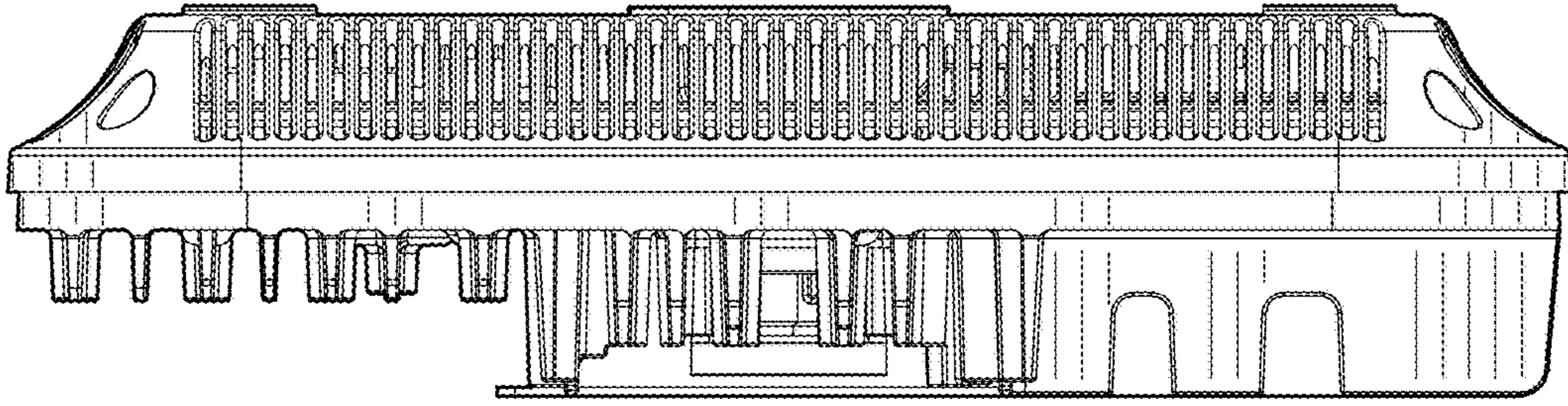


FIG. 7

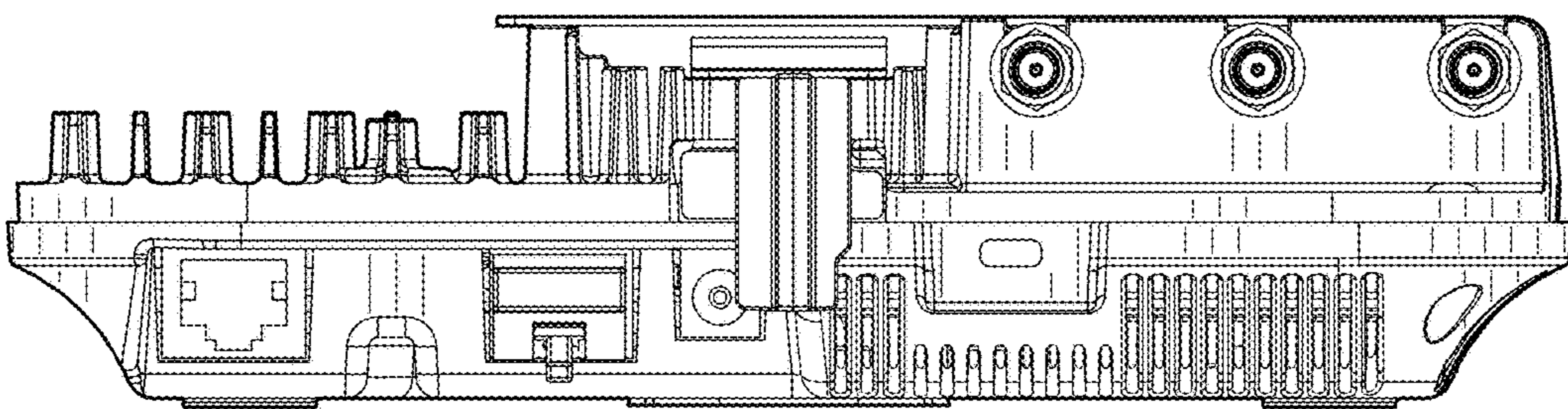


FIG. 8