



US00D785607S

(12) **United States Design Patent**  
**Lee et al.**

(10) **Patent No.:** **US D785,607 S**  
(45) **Date of Patent:** **\*\* May 2, 2017**

(54) **STAND FOR TELEVISION**

345/133, 156, 168, 87, 173; D21/329,  
D21/515, 577, 622, 333, 433, 448, 452,  
D21/450, 331, 505; D10/15, 26;  
(Continued)

(71) Applicant: **Samsung Electronics Co., Ltd.**,  
Suwon-si (KR)

(72) Inventors: **Hyungsun Lee**, Yongin-si (KR);  
**Donggyun Ye**, Seoul (KR); **Woojong**  
**Huh**, Yongin-si (KR); **Jeasung Kim**,  
Hwaseong-si (KR); **Sangyoung Lee**,  
Anyang-si (KR); **Joonyoung Lee**, Seoul  
(KR); **Heeseok Jeong**, Suwon-si (KR);  
**Kyuhyun Cho**, Suwon-si (KR); **Shiyun**  
**Cho**, Anyang-si (KR); **Younho Choi**,  
Seoul (KR)

(73) Assignee: **Samsung Electronics Co., Ltd.**,  
Suwon-si (KR)

(\*\*) Term: **15 Years**

(21) Appl. No.: **29/564,914**

(22) Filed: **May 17, 2016**

(30) **Foreign Application Priority Data**

Nov. 18, 2015 (KR) ..... 30-2015-0058004

(51) **LOC (10) Cl.** ..... **14-03**

(52) **U.S. Cl.**  
USPC ..... **D14/239**; D14/126

(58) **Field of Classification Search**  
USPC ..... D14/125-134, 239, 371, 136, 374-377,  
D14/440, 450, 448, 336, 342, 159;  
312/7.2; 348/836, 838, 180, 184, 325,  
348/739; 248/917-924, 465; 345/104,

(56) **References Cited**

U.S. PATENT DOCUMENTS

D483,726 S \* 12/2003 Teng ..... D14/126  
D499,907 S \* 12/2004 Zarelius ..... D6/708.23  
(Continued)

FOREIGN PATENT DOCUMENTS

KR 30-2015-0058003 11/2015

OTHER PUBLICATIONS

U.S. Appl. No. 29/564,915, filed May 17, 2016, Samsung Electron-  
ics Co., Ltd.  
(Continued)

*Primary Examiner* — Randall Gholson  
(74) *Attorney, Agent, or Firm* — NSIP Law

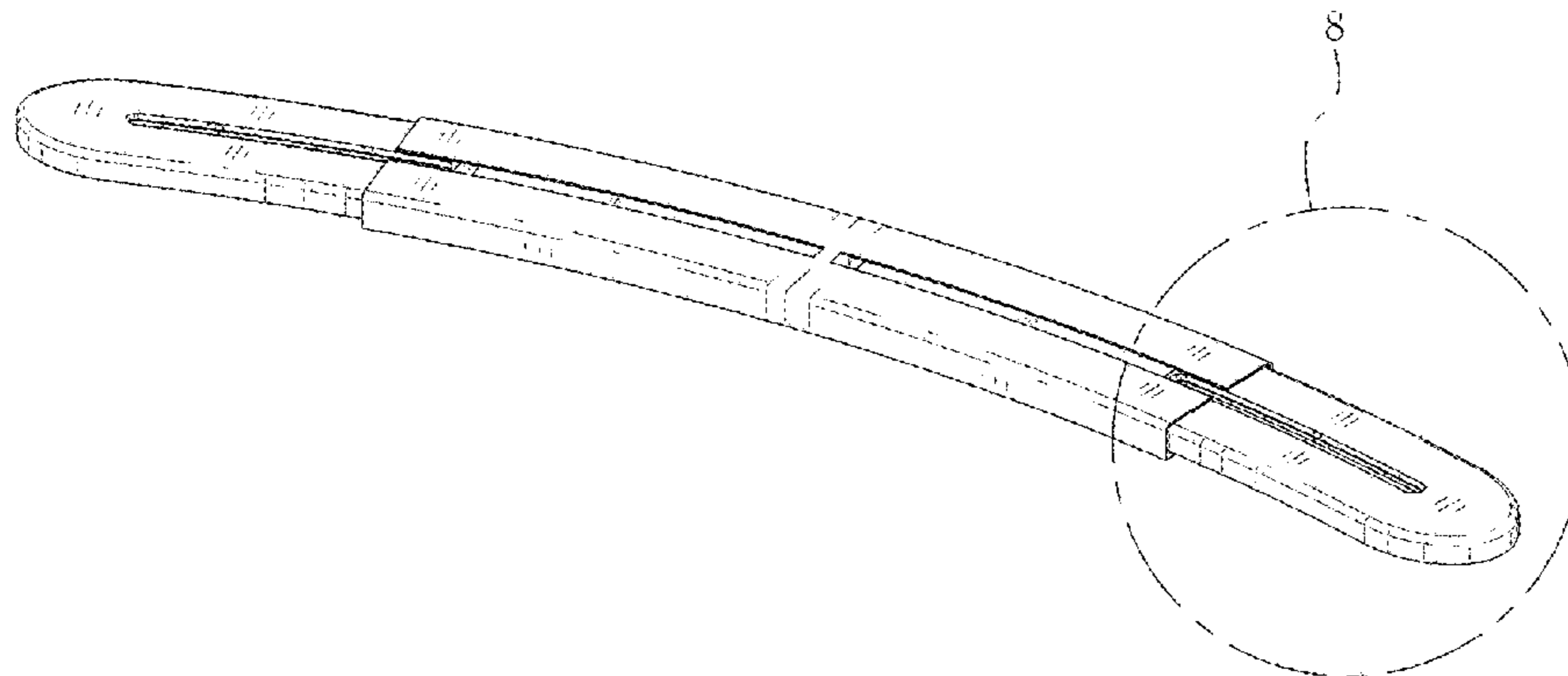
(57) **CLAIM**

We claim the ornamental design for a stand for television, as  
shown and described.

**DESCRIPTION**

FIG. 1 is a front perspective view of a stand for television  
showing our new design;  
FIG. 2 is a front view thereof;  
FIG. 3 is a rear view thereof;  
FIG. 4 is a left-side view thereof;  
FIG. 5 is a right-side view thereof;  
FIG. 6 is a top view thereof;  
FIG. 7 is a bottom view thereof;  
FIG. 8 is an enlarged view of the encircled portion in FIG.  
1; and,  
FIG. 9 is a front perspective view of the stand for television  
in which a television is provided in broken lines to illustrate  
an example environment.

(Continued)



The broken lines in the figures show portions of the stand for television which form no part of the claimed design.

The dot-dash broken lines encircling enlargement portions of the design form no part of the claimed design.

**1 Claim, 8 Drawing Sheets**

(58) **Field of Classification Search**

USPC ..... 446/484, 175, 356; D6/477, 479, 300;  
D24/185; D34/14

CPC ... G06F 1/1601; G06F 1/1643; H05K 5/0004;  
H05K 5/0017; H05K 5/02; H05K 5/0217

See application file for complete search history.

(56) **References Cited**

U.S. PATENT DOCUMENTS

D704,198 S \* 5/2014 Kim ..... D14/447  
D722,068 S \* 2/2015 Jung ..... D14/447

OTHER PUBLICATIONS

Korean Office Action issued on May 24, 2016 in counterpart Korean Application No. 30-2015-0058004. (4 pages with English Translation).

\* cited by examiner

FIG. 1

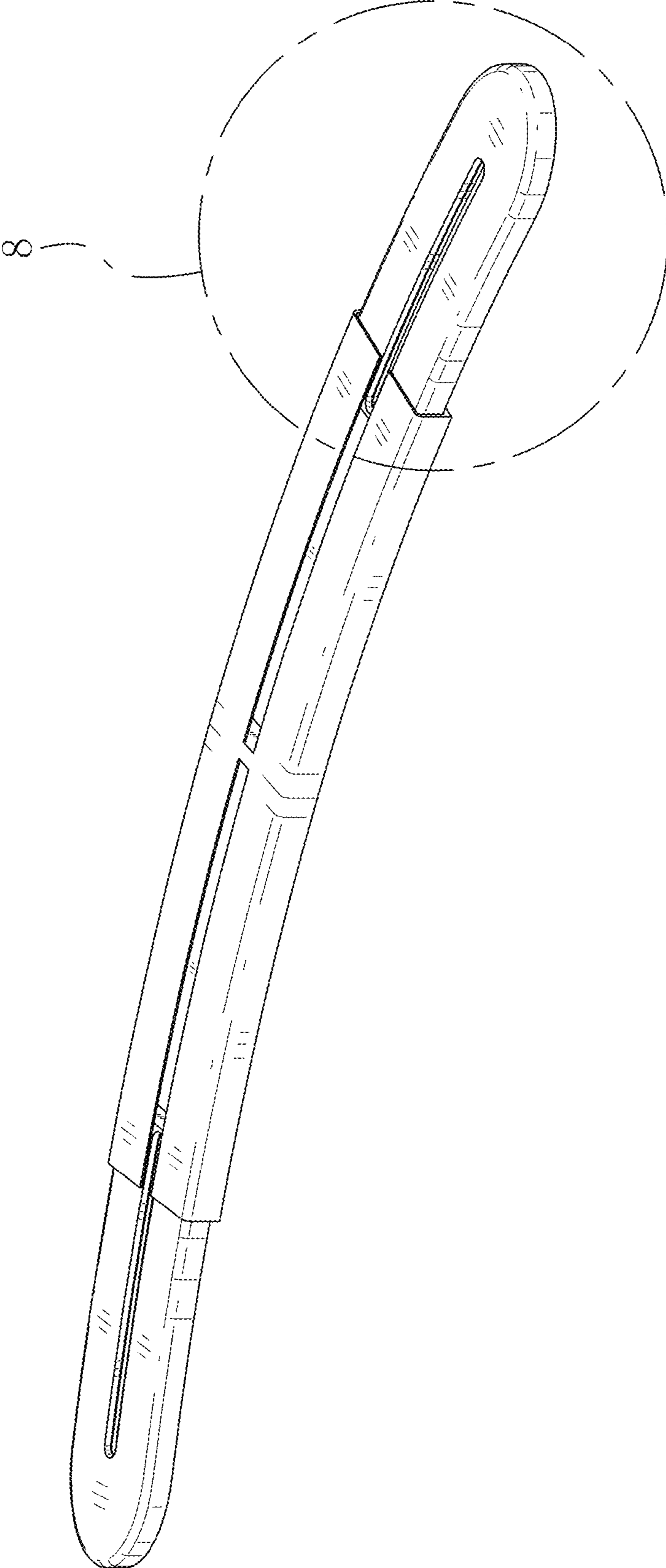


FIG. 2



FIG. 3



FIG. 4



FIG. 5



FIG. 6

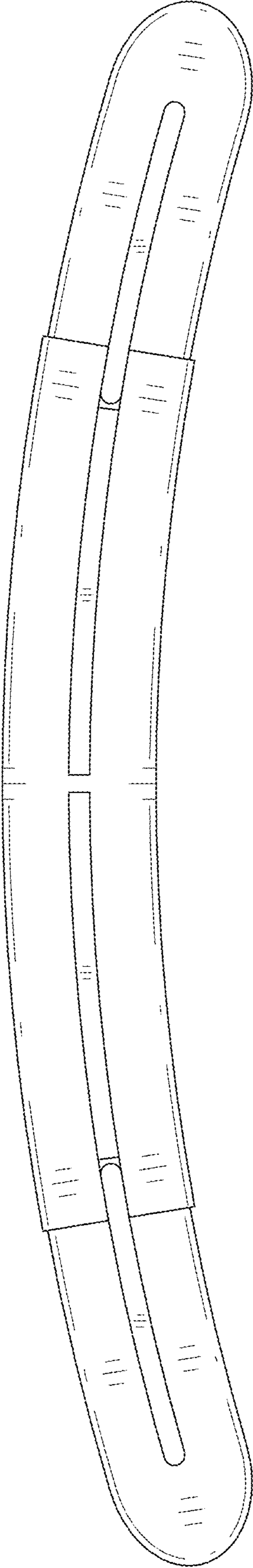


FIG. 7

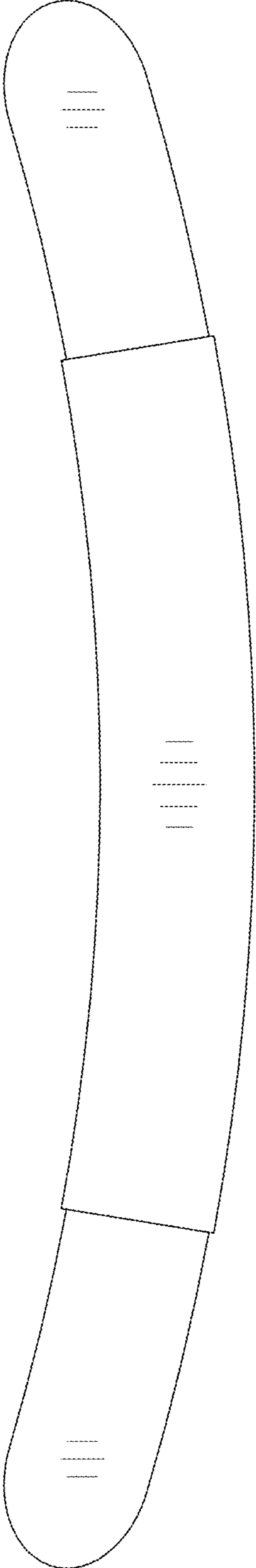




FIG. 8

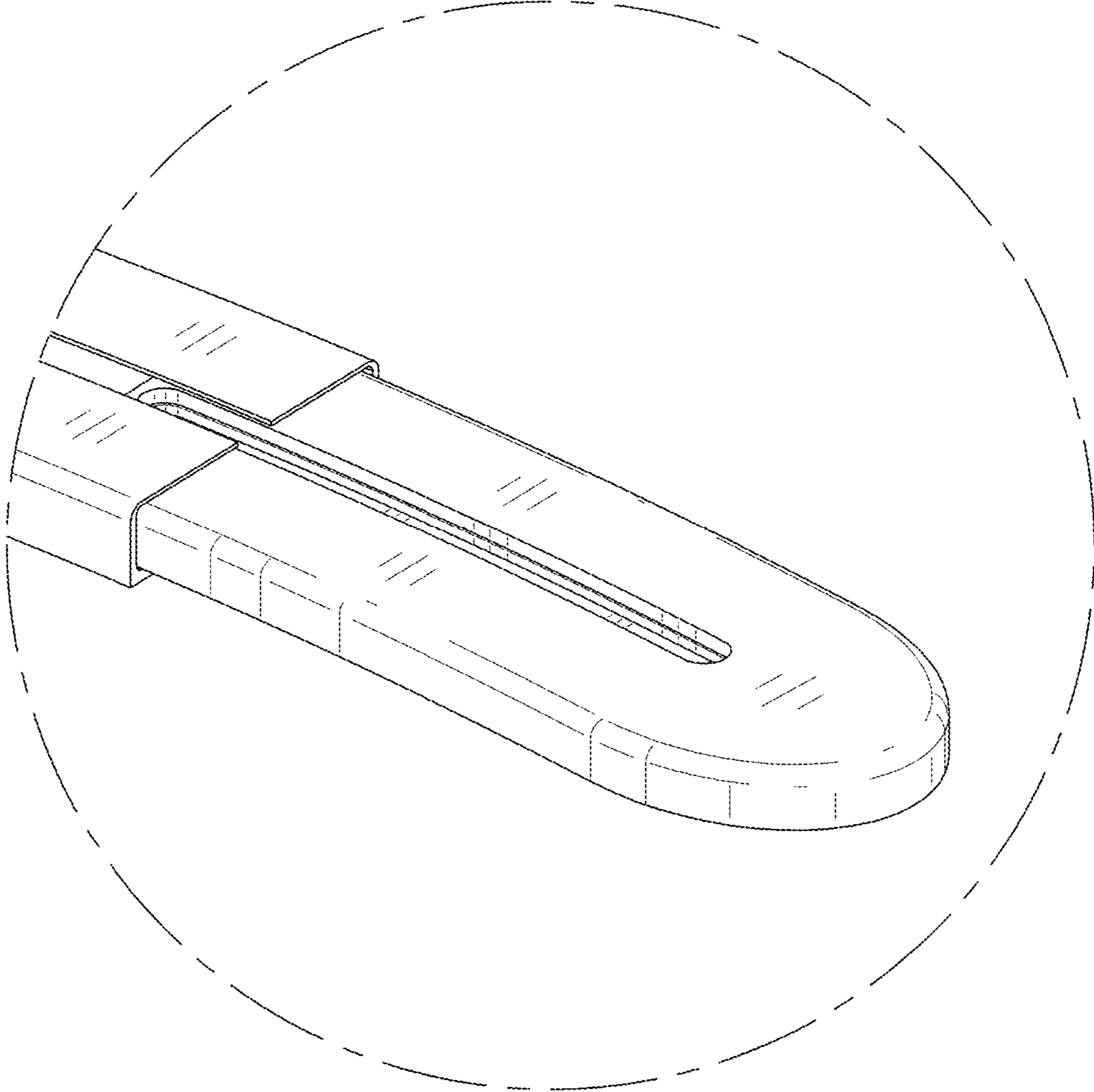


FIG. 9

