



US00D785605S

(12) **United States Design Patent** (10) **Patent No.:** **US D785,605 S**
Hochman et al. (45) **Date of Patent:** **** May 2, 2017**

(54) **MODULAR DISPLAY SUPPORT FRAME**

(71) Applicant: **Revolution Display, LLC**, Glendale, CA (US)

(72) Inventors: **Jeremy Hochman**, Los Angeles, CA (US); **Steve Danko**, Newbury Park, CA (US)

(73) Assignee: **Revolution Display, LLC**, Glendale, CA (US)

(**) Term: **15 Years**

(21) Appl. No.: **29/559,530**

(22) Filed: **Mar. 29, 2016**

Related U.S. Application Data

(62) Division of application No. 29/542,916, filed on Oct. 19, 2015, now Pat. No. Des. 753,097.

(51) **LOC (10) Cl.** **14-03**

(52) **U.S. Cl.**
USPC **D14/239**

(58) **Field of Classification Search**
USPC D14/125-134, 239, 371, 136, 374-377, D14/440, 450, 448, 336, 342; 312/7.2; 348/836, 838, 180, 184, 325, 739; 341/12; 248/917-924, 465, 309.2; 345/104, 133, 156, 168, 87, 173; 720/605, 669, 600, 655; 369/99, 197; 455/344, 347; D21/329, 515, 577, 622, D21/333, 433, 448, 452, 450, 331; D6/477, 479, 300; 273/148 B; 446/484, 446/175, 356; D10/15, 26; 361/801, 361/802, 754, 728; 257/88

CPC H04N 1/00

See application file for complete search history.

(56) **References Cited**

U.S. PATENT DOCUMENTS

5,031,781 A	7/1991	Price	
D637,025 S	5/2011	Colin	
D639,448 S *	6/2011	Grainger	D25/1
D649,683 S	11/2011	Trzesniowski	
8,267,336 B2 *	9/2012	Goldmann	B03B 9/061 241/101.2
D670,936 S	11/2012	Davis	
D672,168 S	12/2012	Davis	

(Continued)

OTHER PUBLICATIONS

<http://www.coleder.com/product/indoor%20rental%20led%20display/20150915/625.aspx> (Last viewed Oct. 19, 2015).

(Continued)

Primary Examiner — Randall Gholson
(74) *Attorney, Agent, or Firm* — Downs Rachlin Martin PLLC

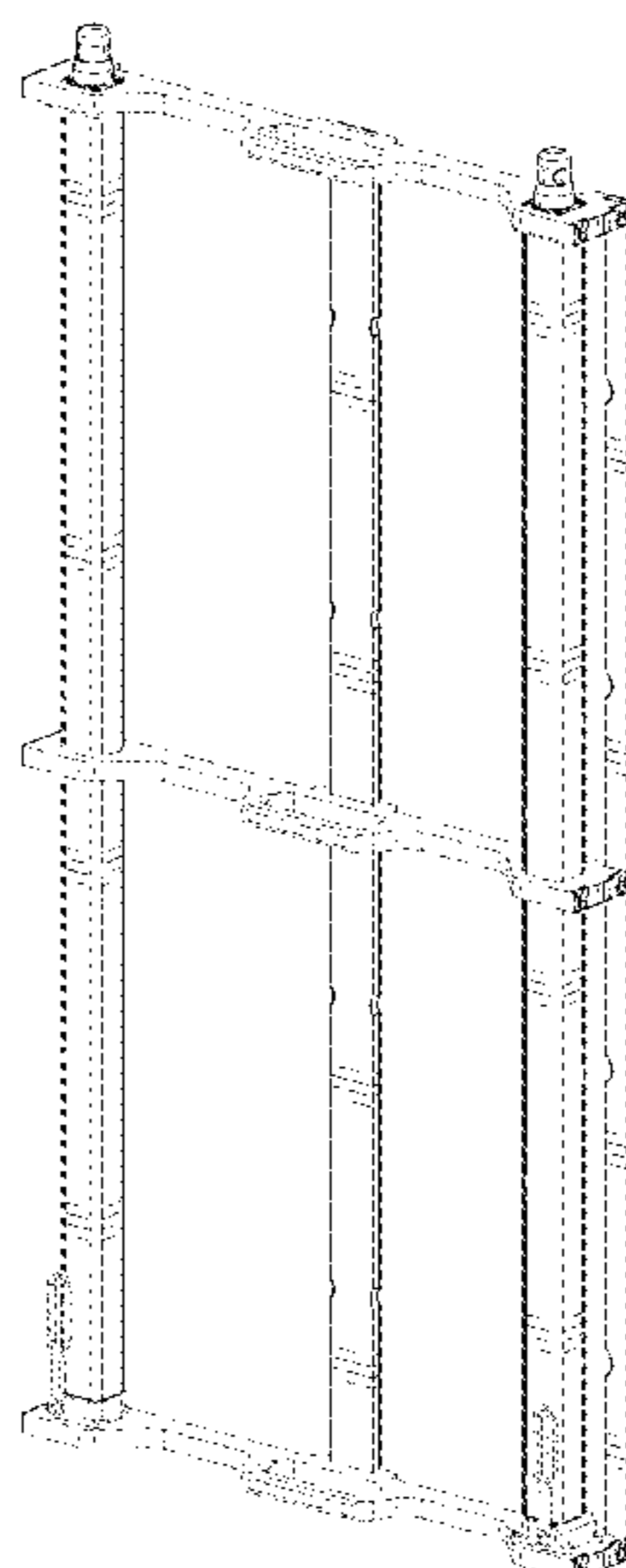
(57) **CLAIM**

The ornamental design for a modular display support frame, as shown and described.

DESCRIPTION

FIG. 1 is a rear perspective view of a modular display support frame showing our new design; FIG. 2 is a front perspective view thereof; FIG. 3 is a front view thereof; FIG. 4 is a rear view thereof; FIG. 5 is a side view thereof; FIG. 6 is a second side view thereof; FIG. 7 is a top view thereof; FIG. 8 is a bottom side view thereof; and, FIG. 9 is another rear perspective view thereof. The broken lines in the Figures are for the purpose of illustrating unclaimed portions of the modular display support frame and form no part of the claimed design. The shade lines in the Figures show contour and not surface ornamentation.

1 Claim, 9 Drawing Sheets



(56)

References Cited

U.S. PATENT DOCUMENTS

D680,361 S	4/2013	Zobel et al.	
D687,253 S	8/2013	McIntyre	
D720,607 S *	1/2015	Kats	D8/380
D736,750 S *	8/2015	Hochman	D14/239
D736,992 S	8/2015	Chen et al.	
2010/0243843 A1	9/2010	Tait	

OTHER PUBLICATIONS

http://www.aliexpress.com/store/product/fix-install-steel-cabinet-led-screen-tile-metal-material-customized-cabinet-use-or-p10-p16-p6/317449_849807942.html (Last viewed Oct. 19, 2015).
<http://pixelflexled.com/products/flexgrid/> (Last viewed on Oct. 19, 2015).
<http://www.aliexpress.com/item/4mm-4-in-1-big-SMD-Full-color-LED-modules-1-16-scan-256-256mm-64/1443676135.html> (Last viewed on Oct. 19, 2015).
<http://www.verrents.com/products/led/outdoor-indoor-led/bb-25mm.htm> (Last viewed on Oct. 19, 2015).

<http://retopdisplay.com/4-1-standard-advertising-led-display.html/126684> (Last viewed on Oct. 19, 2015).
http://szgloshine.en.alibaba.com/productshowing/1877736616-220872971/L4_81_New_cabinet_LED_Panel.html (Last viewed on Oct. 19, 2015).
<http://www.aliexpress.com/item/64CM-64CM-P10-indoor-led-display-after-assemble-flight-case-connector-p10-indoor-rgb-led-tile/799791014.html> (Last viewed Oct. 19, 2015).
<https://iceledscreens.wordpress.com/2012/10/23/magnetic-led-tiles-delivers-high-quality-images-with-remarkable-clarity/> (Last viewed on Oct. 19, 2015).
<http://led-diamond.com/EN/screens/index.php> (Last viewed Oct. 19, 2015).
http://www.barco.com/en/Products/LED-displays/LED-creative-modules/Creative-LED-light-panel_1.aspx (Last viewed on Oct. 19, 2015).
<https://www.christiedigital.com/SupportDocs/Anonymous/Christie-Velvet-LED-Specsheet.pdf> (Last viewed on Oct. 19, 2015).
<http://www.sixteen-nine.net/2014/08/29/led-tiles-you-can-snap-together-with-no-wires-like-kids-builder-sets/> (Last viewed on Oct. 19, 2015).

* cited by examiner

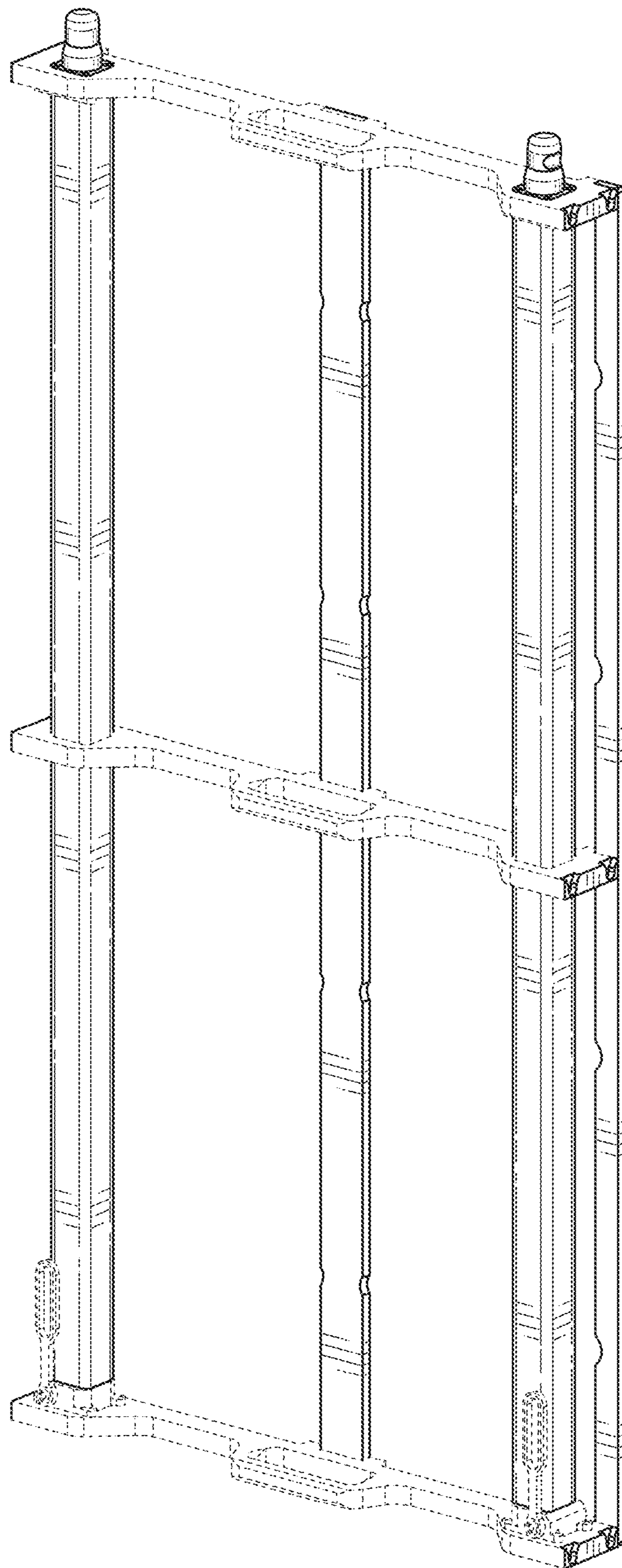


FIG. 1

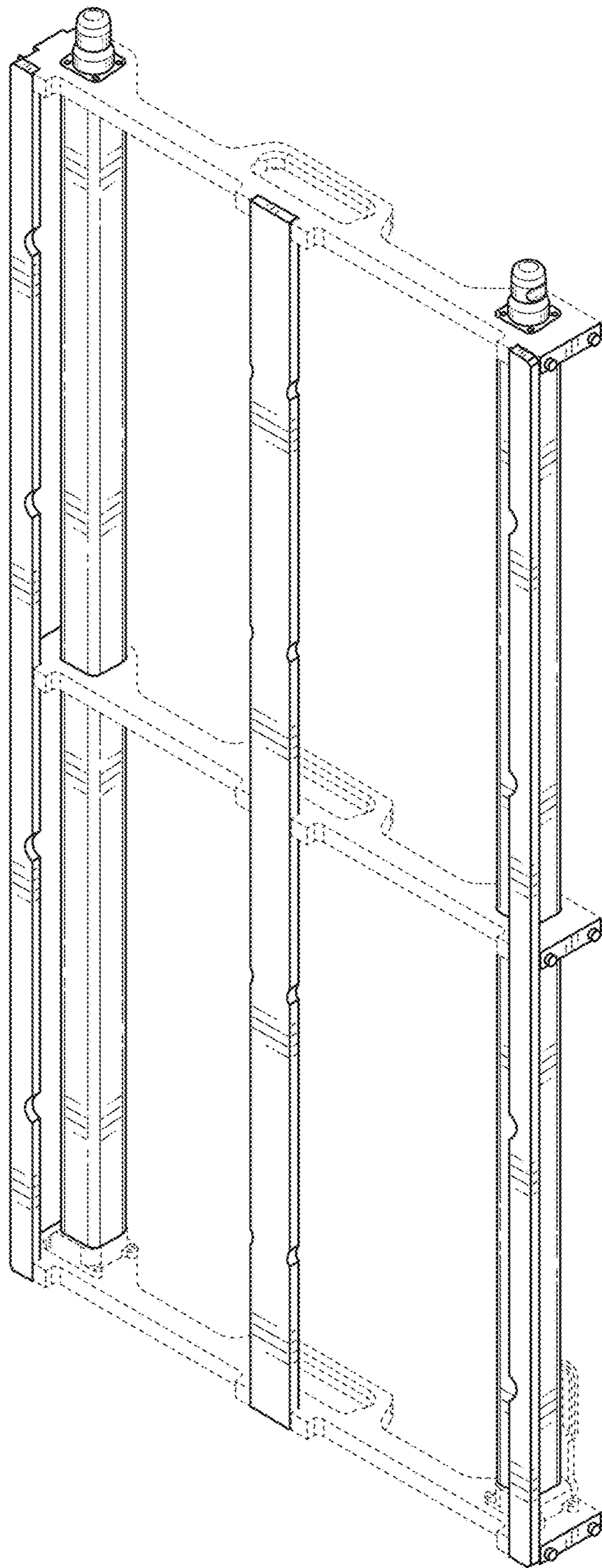


FIG. 2

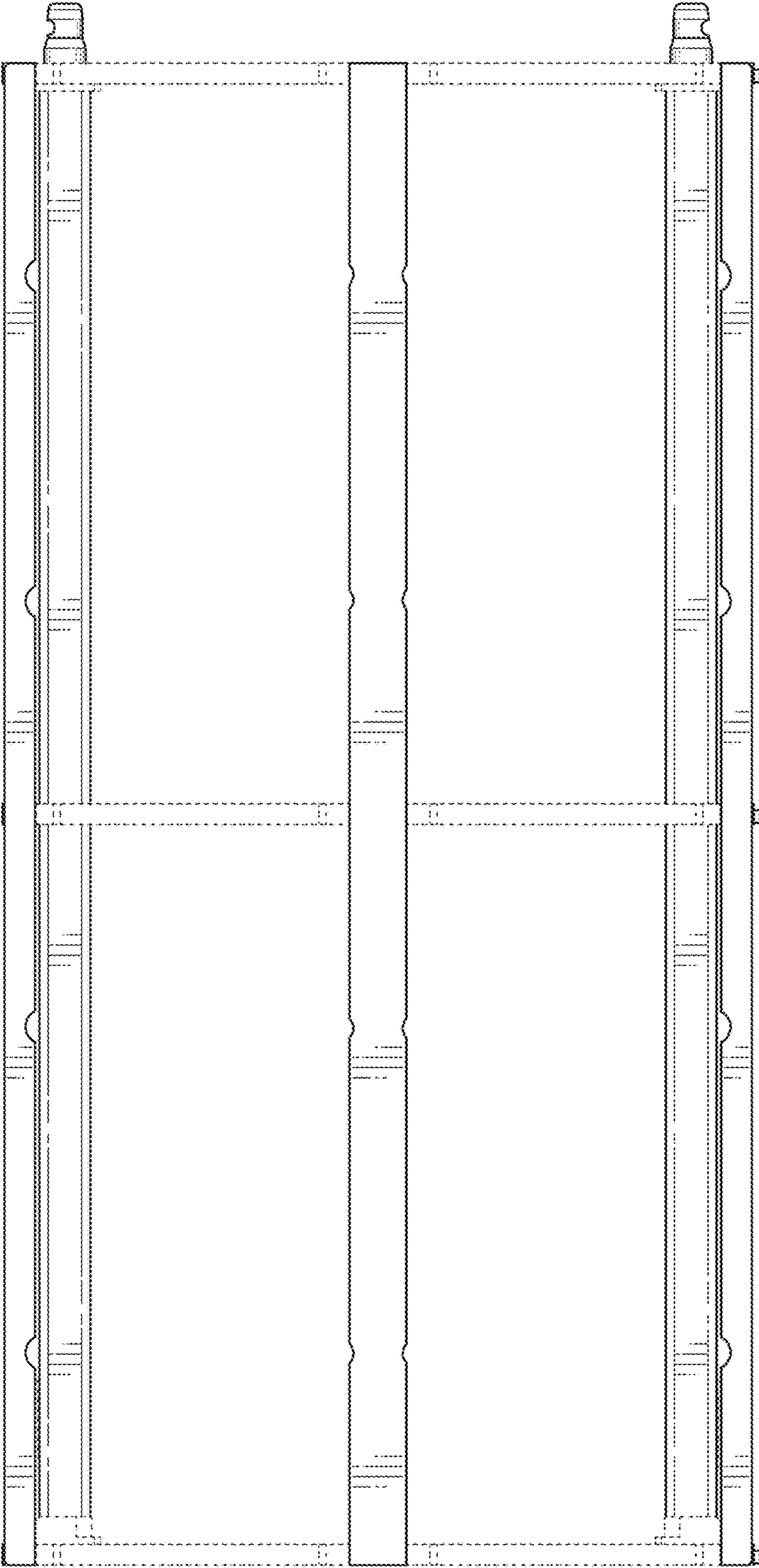


FIG. 3

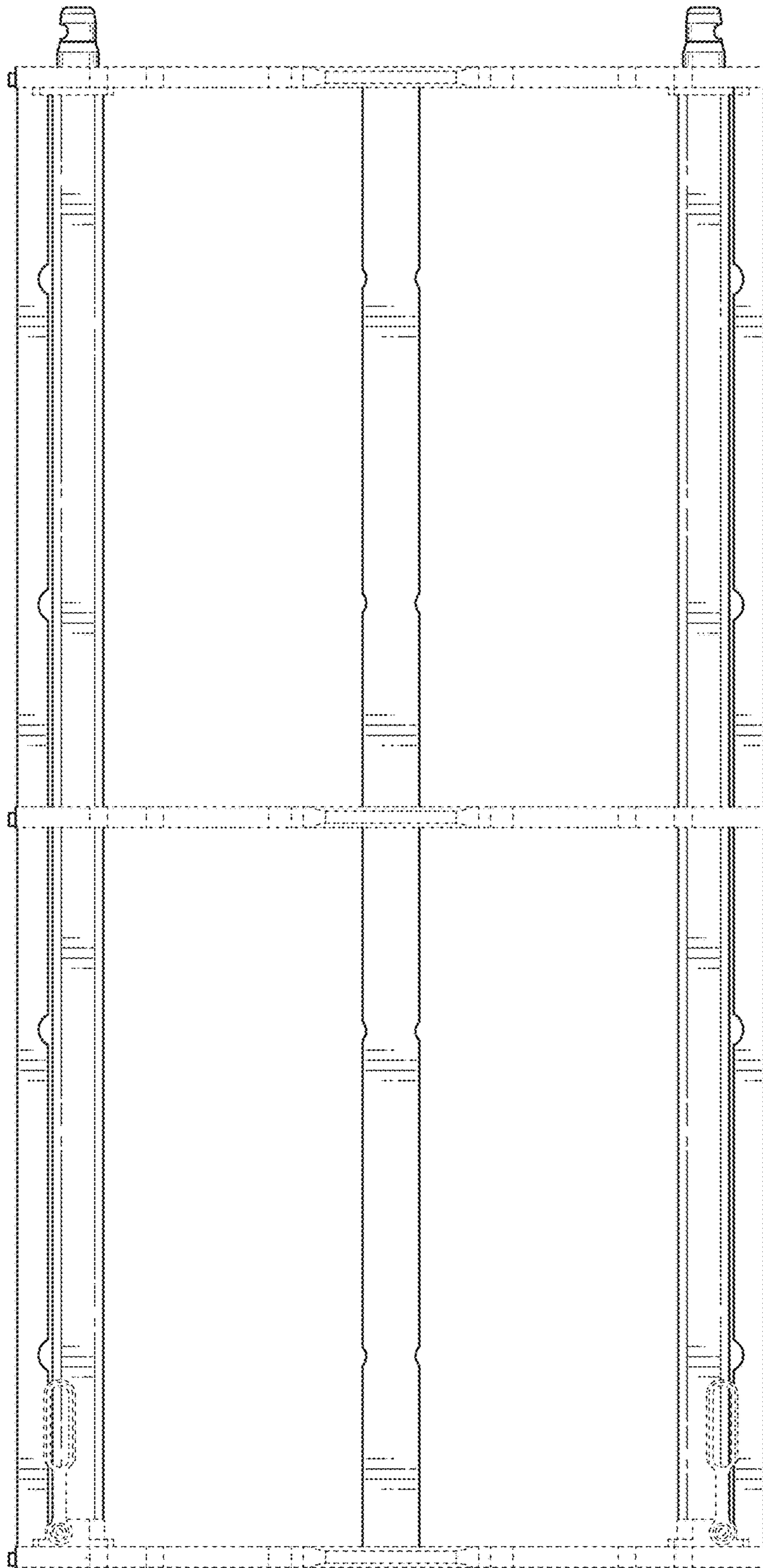


FIG. 4

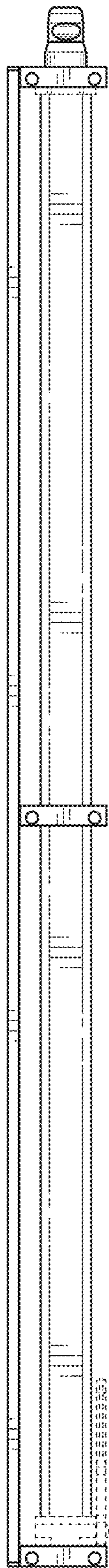


FIG. 5

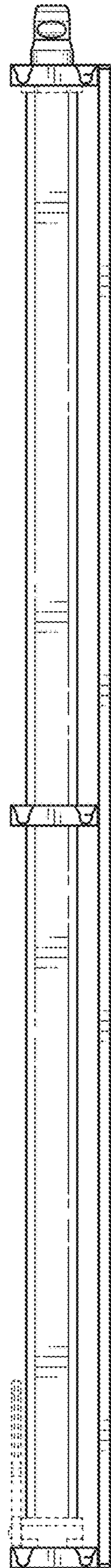


FIG. 6

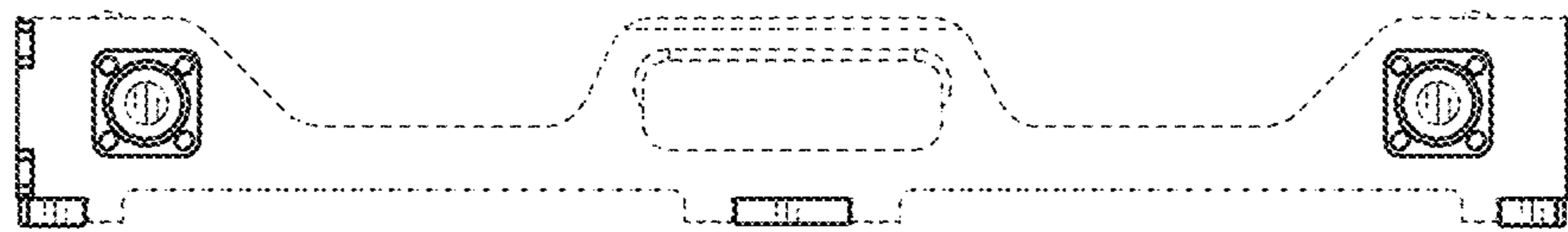


FIG. 7

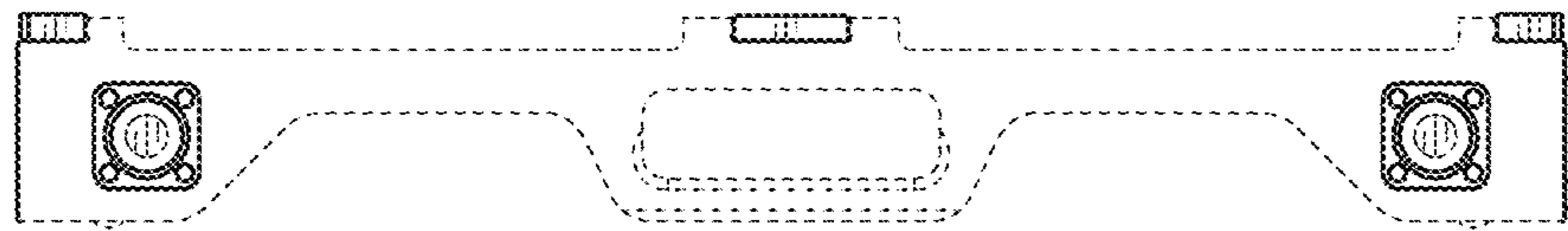


FIG. 8

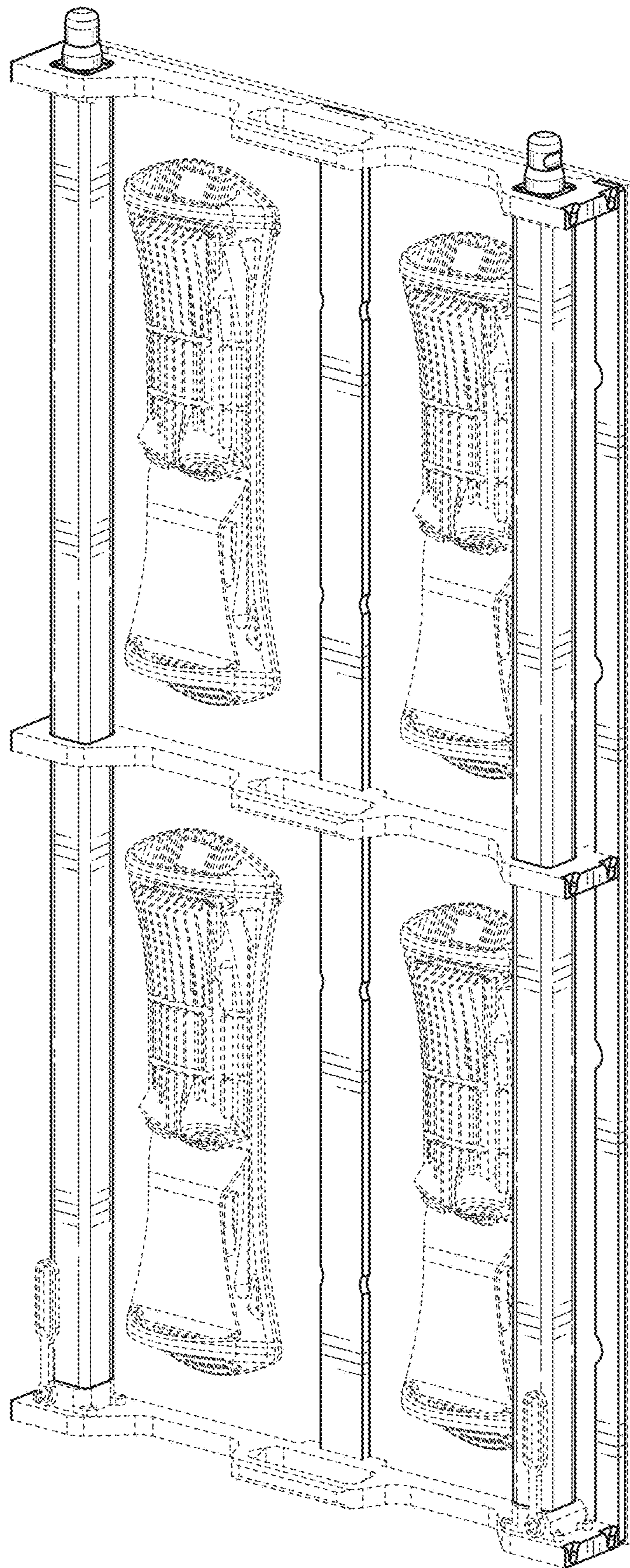


FIG. 9