



US00D785603S

(12) **United States Design Patent**
Tran et al.

(10) **Patent No.:** **US D785,603 S**

(45) **Date of Patent:** **** May 2, 2017**

(54) **SPEAKER MICROPHONE**

(71) Applicant: **MOTOROLA SOLUTIONS, INC.**,
Schaumburg, IL (US)

(72) Inventors: **Chi T. Tran**, Weston, FL (US); **Shirish Kaner**, Penang (MY); **Scott H. Richards**, Plantation, FL (US); **Wan Mohd Ariff Wan Sulaiman**, Kota Bharu (MY)

(73) Assignee: **MOTOROLA SOLUTIONS, INC.**,
Chicago, IL (US)

(**) Term: **15 Years**

(21) Appl. No.: **29/545,901**

(22) Filed: **Nov. 17, 2015**

(51) **LOC (10) Cl.** **14-01**

(52) **U.S. Cl.**
USPC **D14/226**

(58) **Field of Classification Search**
USPC D14/226, 225, 137; 379/422, 433.02;
381/91, 358, 361, 395, 342, 182;
181/173, 187
CPC . H04R 1/08; H04R 25/00; H04R 1/02; H04R
1/00; H04R 11/04
See application file for complete search history.

(56) **References Cited**

U.S. PATENT DOCUMENTS

D175,440	S	*	8/1955	Palo	D14/225
4,199,721	A	*	4/1980	Ono	H04B 1/3822 381/356
D276,336	S	*	11/1984	Kaero	D14/225
D295,404	S	*	4/1988	Tokiyama	D14/137
D307,907	S	*	5/1990	Siddoway	D14/225
5,249,235	A	*	9/1993	Davis, II	H04R 1/342 381/122
D346,804	S	*	5/1994	Tokiyama	D14/225

D347,426	S	*	5/1994	Culbertson	D14/137
D388,094	S	*	12/1997	Tokiyama	D14/204
D416,252	S	*	11/1999	Haase	D14/137
D455,143	S	*	4/2002	Fisher	D14/171
D459,718	S	*	7/2002	Ma	D14/225
D482,009	S	*	11/2003	Robertson, Jr.	D14/137
D490,786	S	*	6/2004	Richards	D14/137
D502,698	S	*	3/2005	Mah	D14/137
D515,558	S	*	2/2006	Case	D10/106.1
D519,477	S	*	4/2006	Liu	D14/137
D530,313	S	*	10/2006	Leng	D14/225
D540,764	S	*	4/2007	Kaner	D14/137
D540,765	S	*	4/2007	Pritchard	D14/137
D569,853	S	*	5/2008	Nishida	D14/225
D576,157	S	*	9/2008	Nishizawa	D14/225
D632,679	S	*	2/2011	Emge	D14/225
D635,945	S	*	4/2011	Richards	D14/137

(Continued)

Primary Examiner — Paula Greene

(57) **CLAIM**

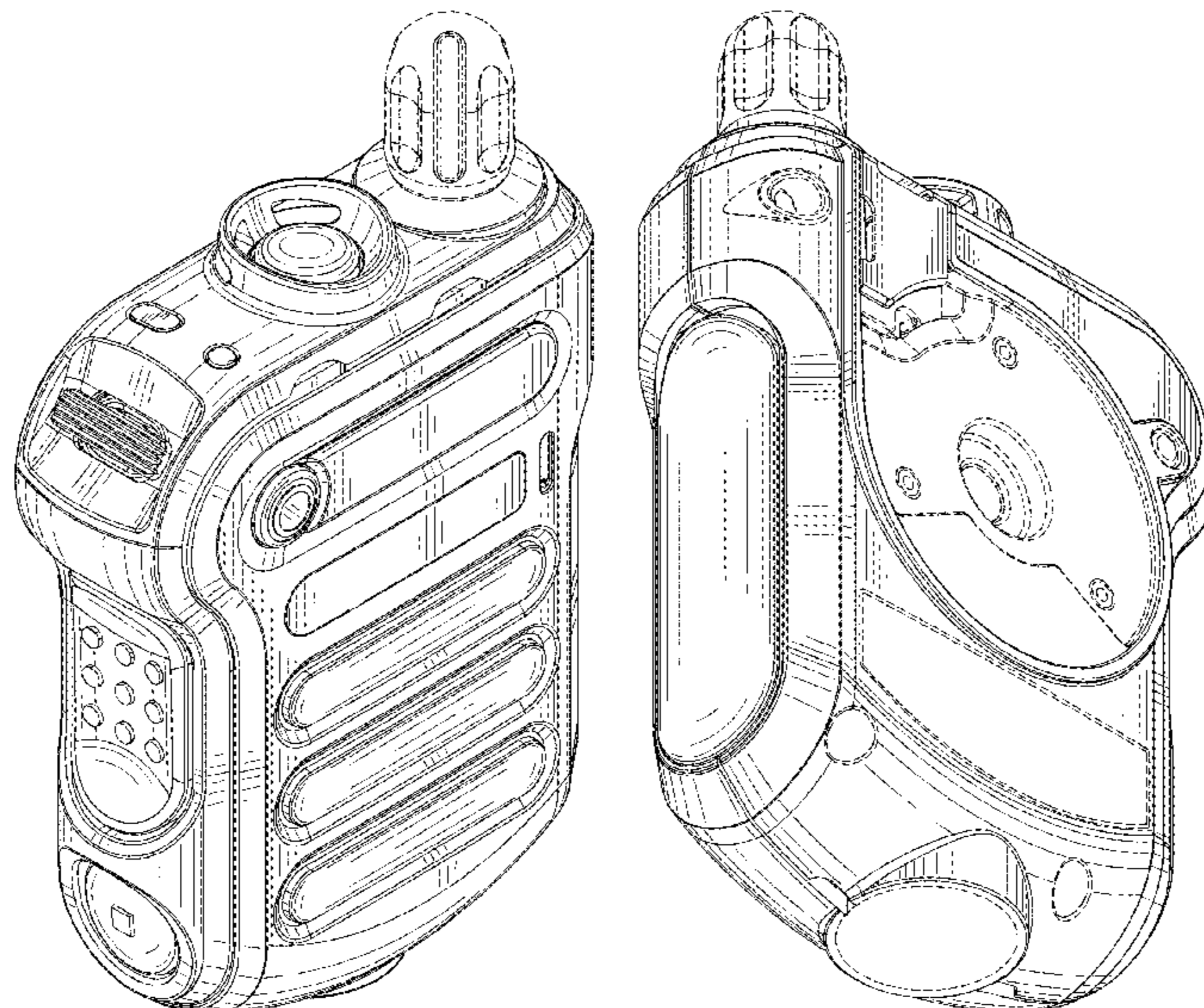
The ornamental design for a speaker microphone, as shown and described.

DESCRIPTION

FIG. 1 is a front perspective view of a speaker microphone showing our new design;
FIG. 2 is a rear perspective view thereof;
FIG. 3 is a front view thereof;
FIG. 4 is a rear view thereof;
FIG. 5 is a first side elevational view thereof;
FIG. 6 is a second side elevational view thereof;
FIG. 7 is a top view thereof; and,
FIG. 8 is a bottom view thereof.

The broken lines shown in FIGS. 1-8, that are immediately adjacent to the shaded areas, and define unshaded regions, represent the bounds of the first embodiment, while all other broken lines are directed to environment and are for illustrative purposes only; the broken lines form no part of the first embodiment.

1 Claim, 6 Drawing Sheets



(56)

References Cited

U.S. PATENT DOCUMENTS

D635,946 S *	4/2011	Garra	D14/137
D662,090 S *	6/2012	Richards	D14/226
D718,746 S *	12/2014	Tran	D14/137
D718,747 S *	12/2014	Tran	D14/137
D720,726 S *	1/2015	Yu	D14/225
D730,878 S *	6/2015	Khairudin	D14/226
D738,357 S *	9/2015	Khairudin	D14/226
D743,950 S *	11/2015	Derdzinski	D14/225
D744,457 S *	12/2015	Vuorio	D14/226
D744,458 S *	12/2015	Derdzinski	D14/226
D755,760 S *	5/2016	Ely	D14/225

* cited by examiner

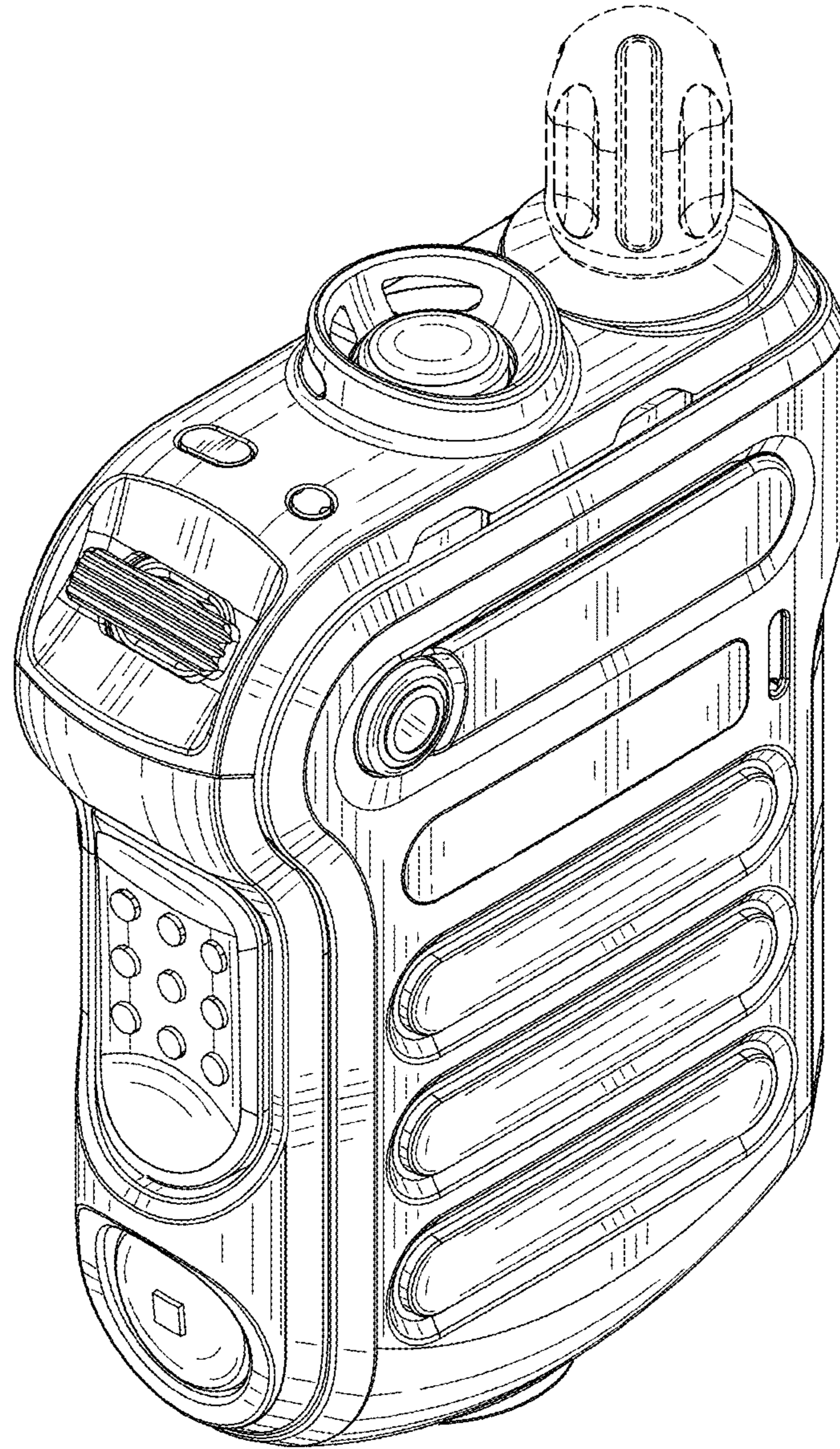


FIG. 1

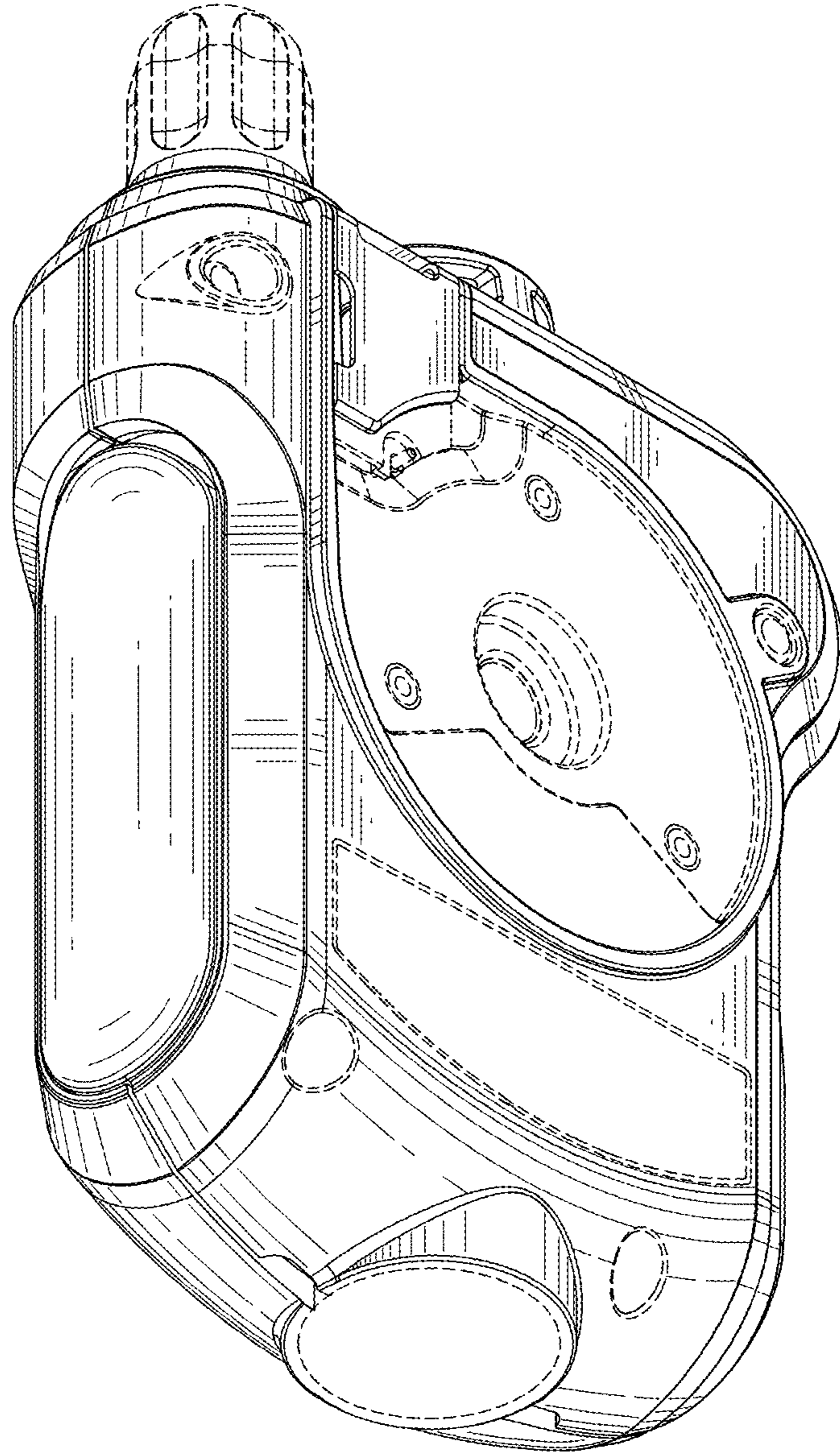


FIG. 2

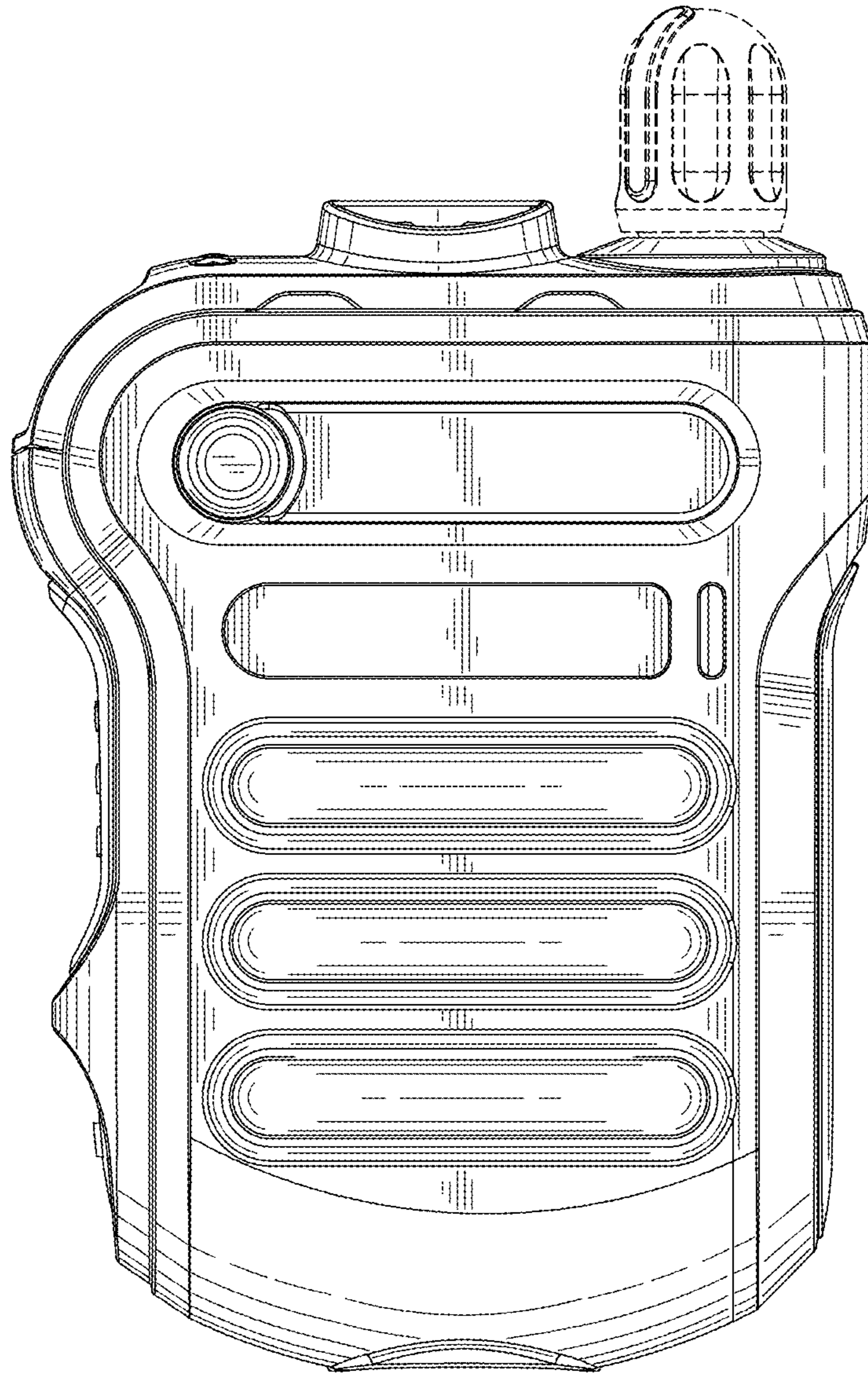


FIG. 3

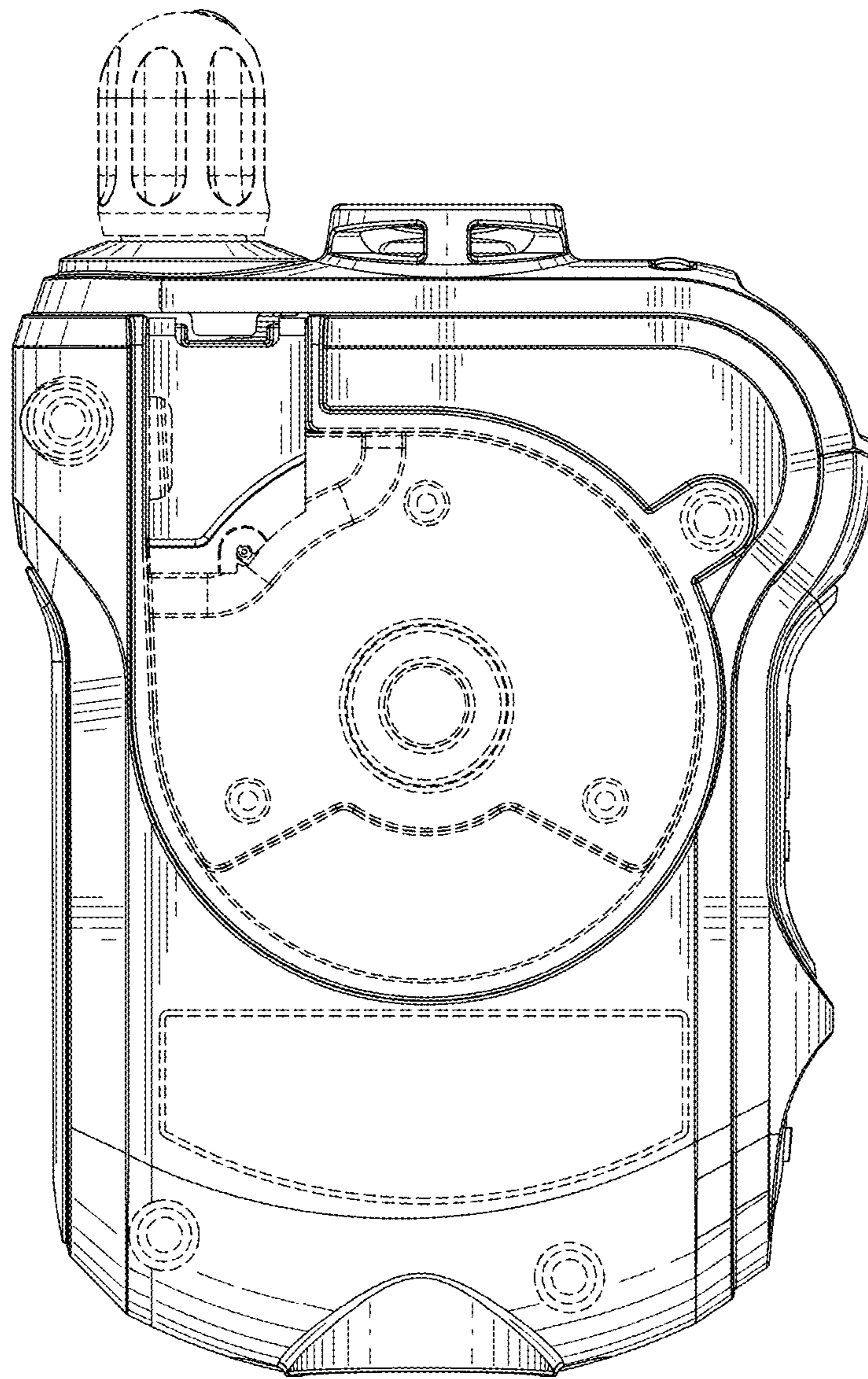


FIG. 4

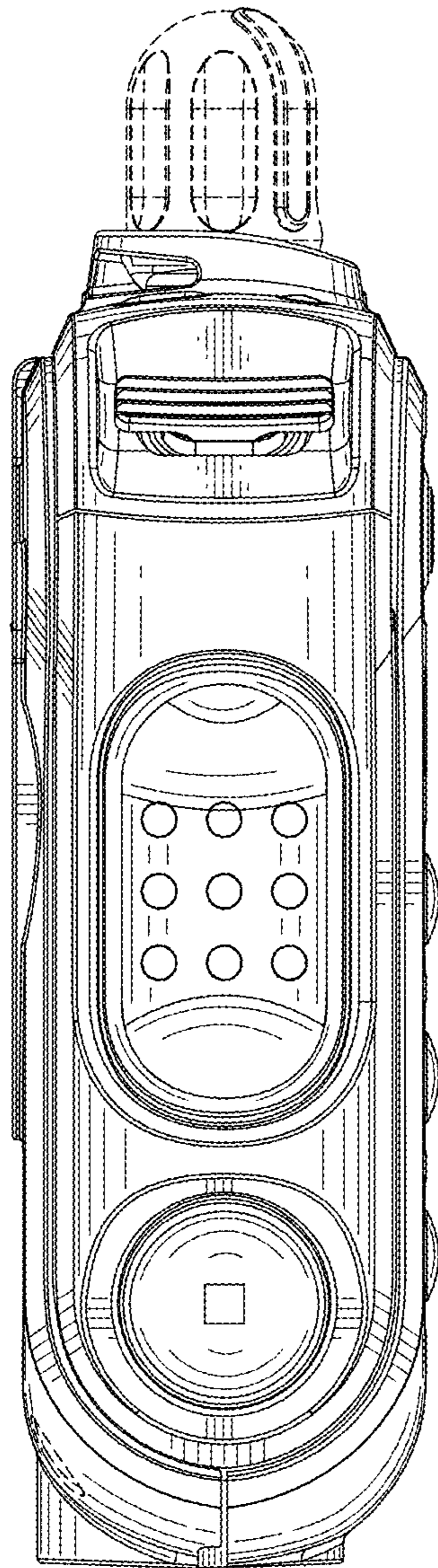


FIG. 5

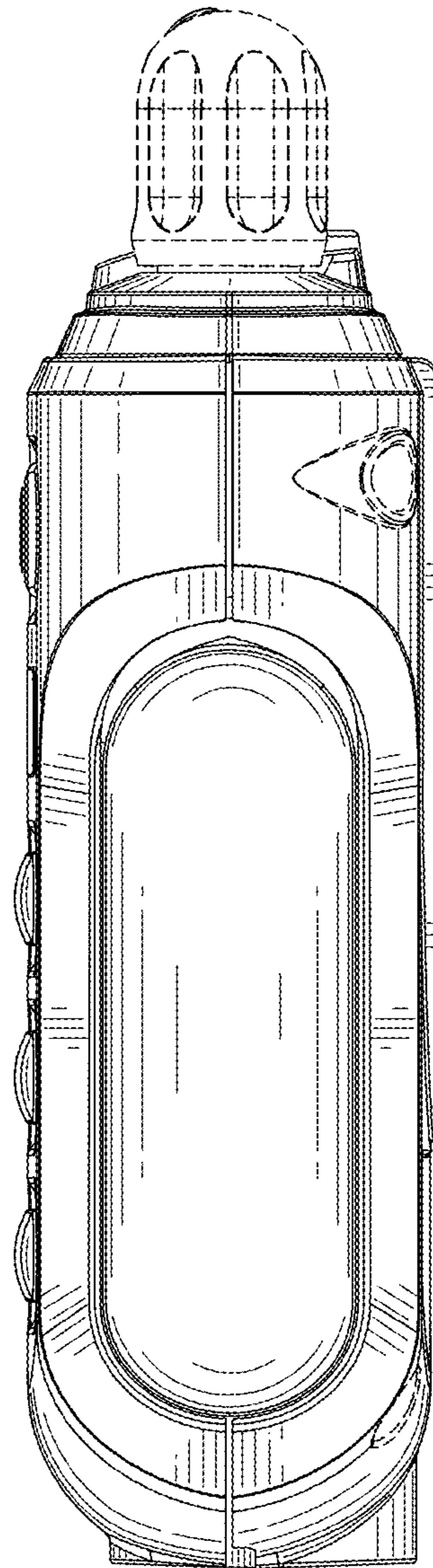


FIG. 6

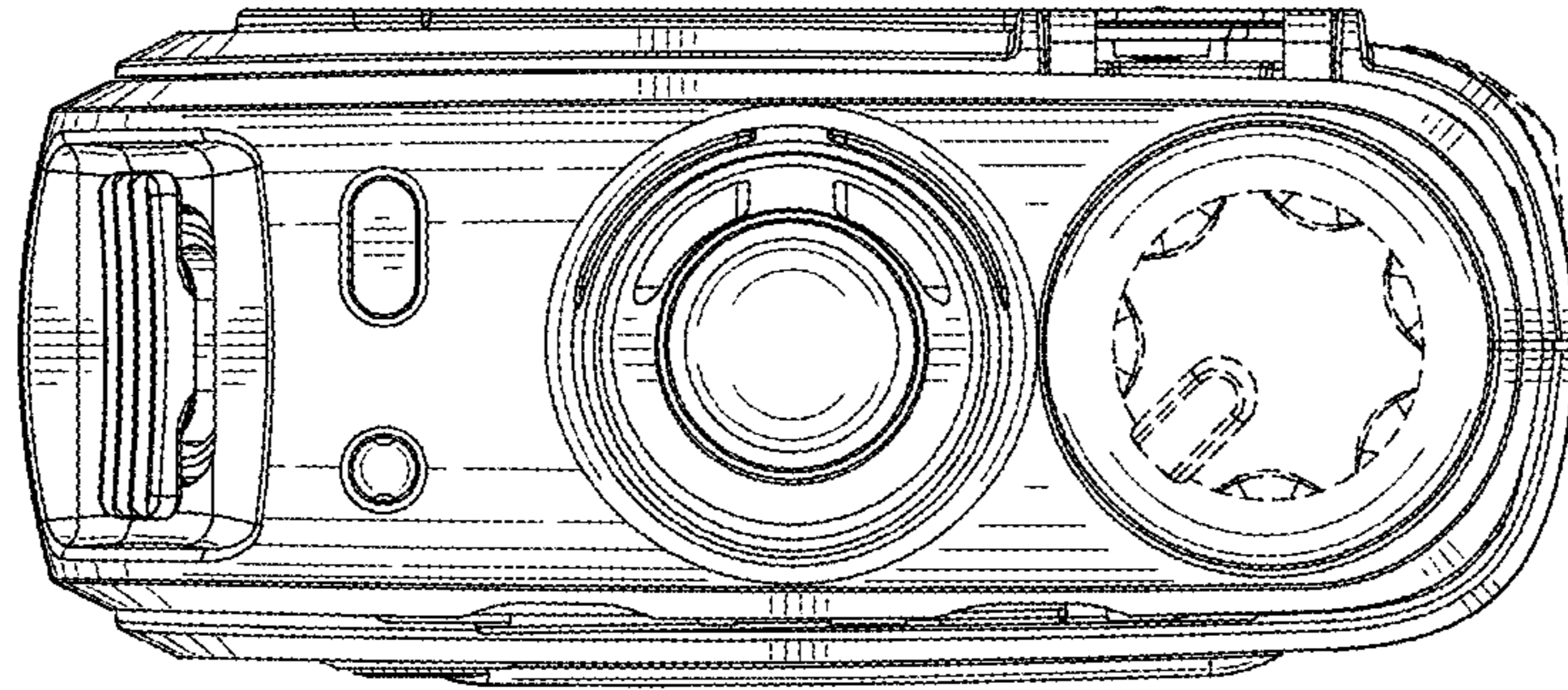


FIG. 7

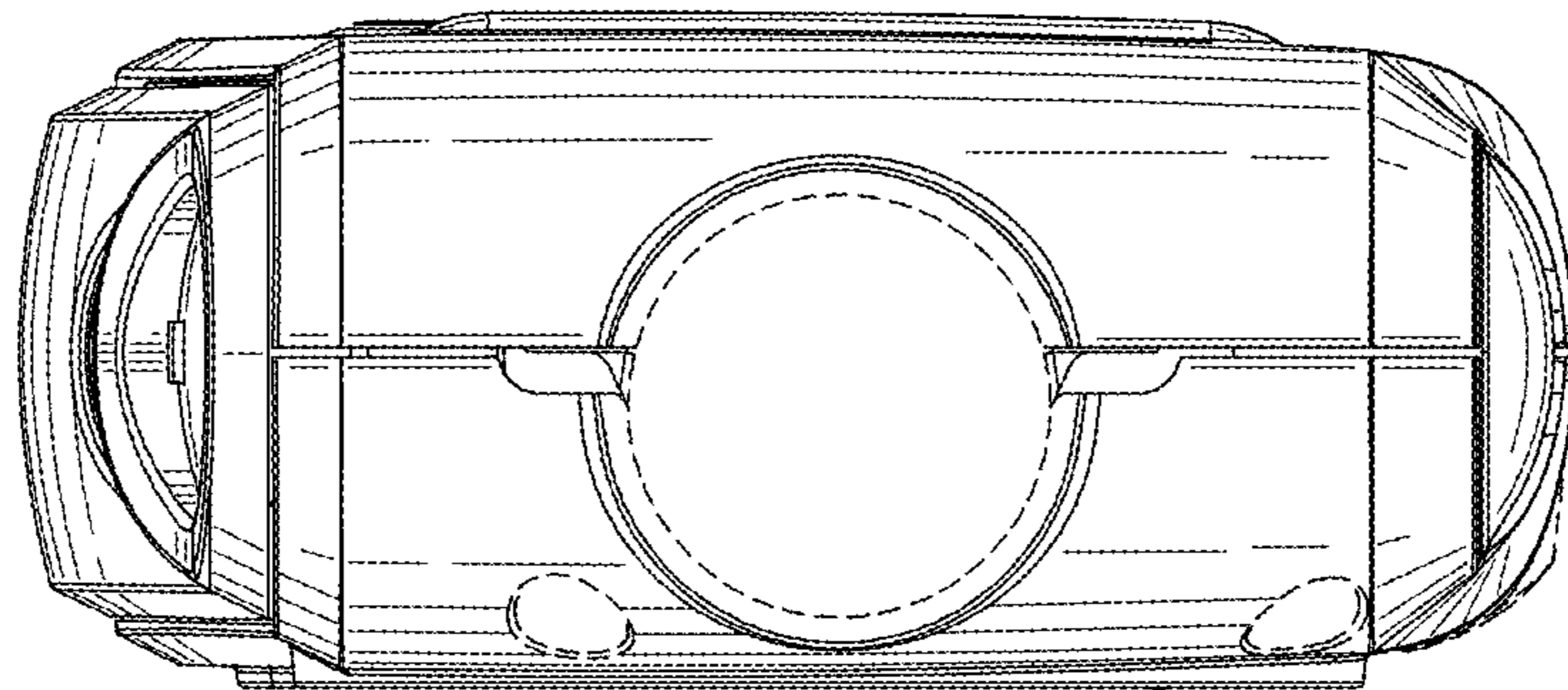


FIG. 8