



US00D785598S

(12) **United States Design Patent** (10) **Patent No.:** **US D785,598 S**
Ikonen et al. (45) **Date of Patent:** **** May 2, 2017**

(54) **REMOTE CONTROL**
(71) Applicant: **Bernafon AG**, Berne (CH)
(72) Inventors: **Kari Ikonen**, Jyväskylä (FI); **Toni Järvitalo**, Jyväskylä (FI); **Ville Pietikäinen**, Jyväskylä (FI); **Marko Reinikainen**, Jyväskylä (FI)

6,122,369 A * 9/2000 Hwang H04M 1/6058
379/420.03
D433,404 S * 11/2000 Thakur D14/218
D450,313 S * 11/2001 Koinuma D14/218
D464,329 S * 10/2002 Mainiero D13/169
D475,359 S * 6/2003 Hirose D14/480.1
(Continued)

(73) Assignee: **BERNAFON AG**, Berne (CH)
(**) Term: **14 Years**

CN 302219727 * 12/2012
CN 302672216 * 12/2013
(Continued)

(21) Appl. No.: **29/511,507**

OTHER PUBLICATIONS

(22) Filed: **Dec. 11, 2014**

Direct Industry, Radio remote control / with buttons / industrial, website copyright 2015, online, <http://www.directindustry.com/prod/nuova-ceva-automation/product-58413-819343.html> site visited Nov. 14, 2015.*

(30) **Foreign Application Priority Data**

Jun. 12, 2014 (EM) 002481150-0001

(Continued)

(51) **LOC (10) Cl.** **04-01**

(52) **U.S. Cl.**
USPC **D14/218**

(58) **Field of Classification Search**
USPC D14/218, 349, 480.5; D13/168, 173, D13/162, 162.1, 166, 171, 174
CPC H04N 5/4403; H04N 5/765; G08C 23/04
See application file for complete search history.

Primary Examiner — John Windmuller
Assistant Examiner — John R Yeh
(74) *Attorney, Agent, or Firm* — Birch, Stewart, Kolasch & Birch, LLP

(57) **CLAIM**

The ornamental design for a remote control, as shown and described.

(56) **References Cited**

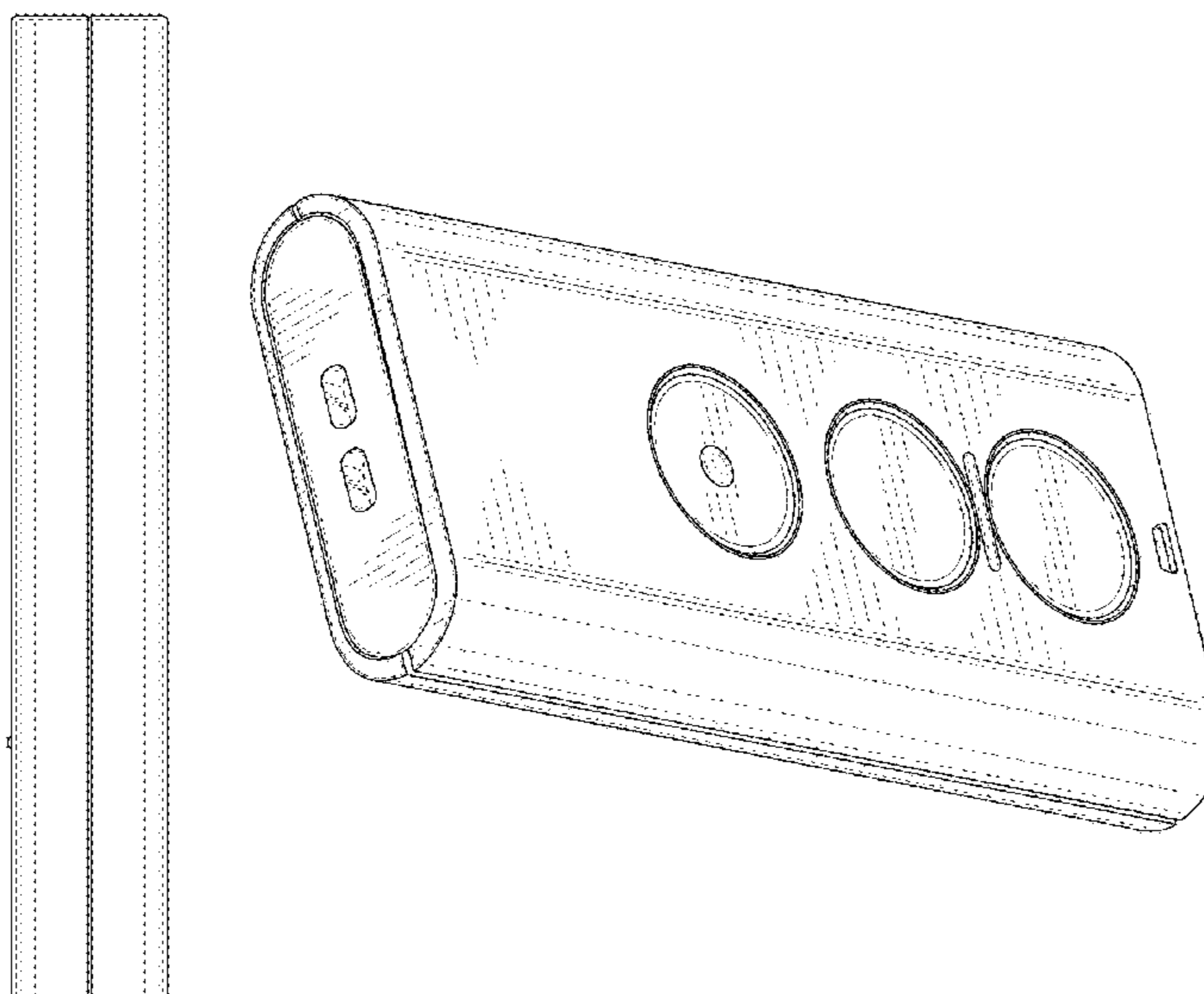
DESCRIPTION

U.S. PATENT DOCUMENTS

D241,854 S * 10/1976 Noyes D14/225
D271,301 S * 11/1983 Manning D13/168
D272,821 S * 2/1984 Perethian D13/167
D306,853 S * 3/1990 Mayo D13/165
D309,890 S * 8/1990 Cheng D13/165
D326,655 S * 6/1992 Iribe D14/192
D334,043 S * 3/1993 Taniguchi D14/218
D351,828 S * 10/1994 Pucci D13/168
D375,696 S * 11/1996 Seki D10/104.1
D376,114 S * 12/1996 Seki D10/104.1
D377,458 S * 1/1997 Tsui D10/104.1

FIG. 1 is a top view of a remote control;
FIG. 2 is a bottom view thereof;
FIG. 3 is a front view thereof;
FIG. 4 is a rear view thereof;
FIG. 5 is a right side perspective view thereof;
FIG. 6 is a left side view thereof;
FIG. 7 is a right side view thereof; and,
FIG. 8 is a left side perspective view thereof.

1 Claim, 6 Drawing Sheets



(56)

References Cited

U.S. PATENT DOCUMENTS

D475,996 S * 6/2003 Skulley D14/223
 D500,484 S * 1/2005 Deguchi D14/480.1
 D520,984 S * 5/2006 Lee D14/155
 D554,119 S * 10/2007 Otsuka D14/480.5
 D556,701 S * 12/2007 Nohara D13/168
 D567,229 S * 4/2008 Griffin D14/223
 D584,695 S * 1/2009 Hilsbos D13/168
 D596,163 S * 7/2009 Madonna D14/218
 D596,623 S * 7/2009 Laine D14/218
 D606,980 S * 12/2009 Bradford D14/218
 D614,171 S * 4/2010 Son D14/218
 D625,294 S * 10/2010 Wada D14/218
 D641,717 S * 7/2011 Nan D13/168
 D671,505 S * 11/2012 Clark D13/168
 D672,753 S * 12/2012 Kadivar D14/218
 8,352,041 B2 * 1/2013 Das G08C 17/02
 604/131
 D713,820 S * 9/2014 O'Neil D14/218
 D725,625 S * 3/2015 Hsieh D14/205
 2011/0228172 A1 * 9/2011 Susini G02B 5/205
 348/734
 2014/0210755 A1 * 7/2014 Jung G06F 3/01
 345/173

FOREIGN PATENT DOCUMENTS

CN 302680869 * 12/2013
 JP D1278762 * 8/2006
 RU 00078449 * 5/2011

OTHER PUBLICATIONS

Linak Remote control, website copyright 2015, online, site visited
 Nov. 12, 2015, http://www.directindustry.com/prod/linak/product-7052-446831.html#product-item_446899.
 Remote control—Bernafon, LLC USA, website copyright 2015,
 online, http://www.bernafon-us.com/Consumers/OurProducts/en-us_Cons_Accessories/en-us_Cons_RemoteControls/Prof_Accessories_RemoteControls.aspx, [site visited Nov. 12, 2015
 9:56:48 PM].*

* cited by examiner

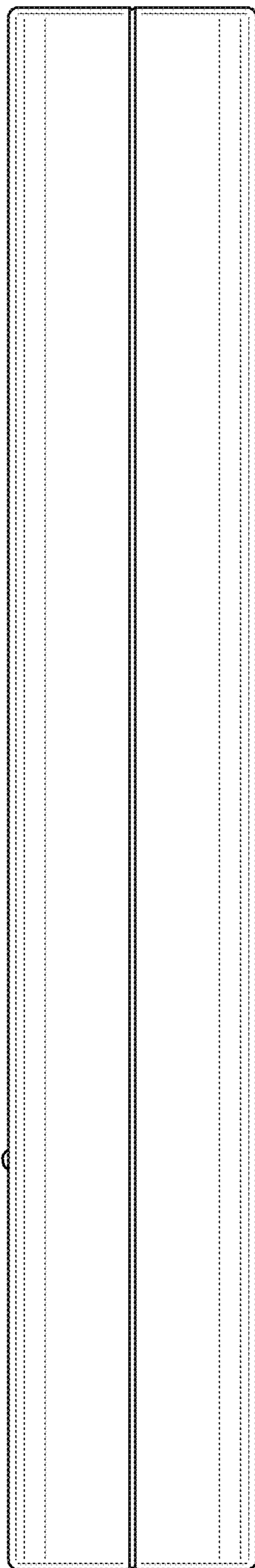


FIG. 1

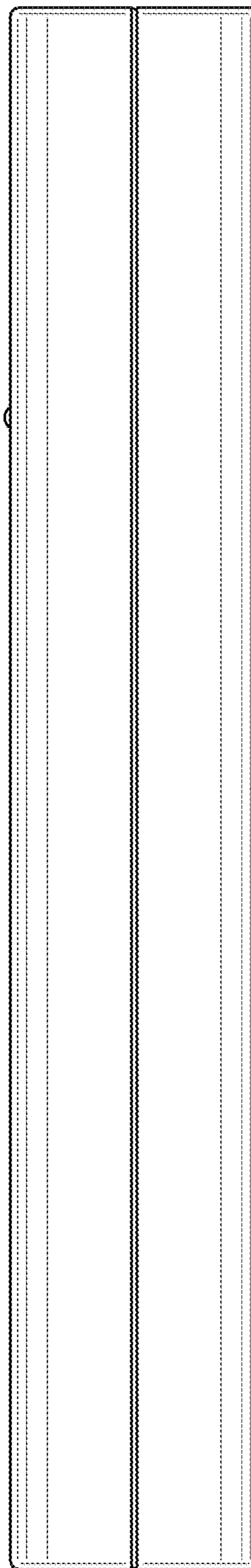


FIG. 2

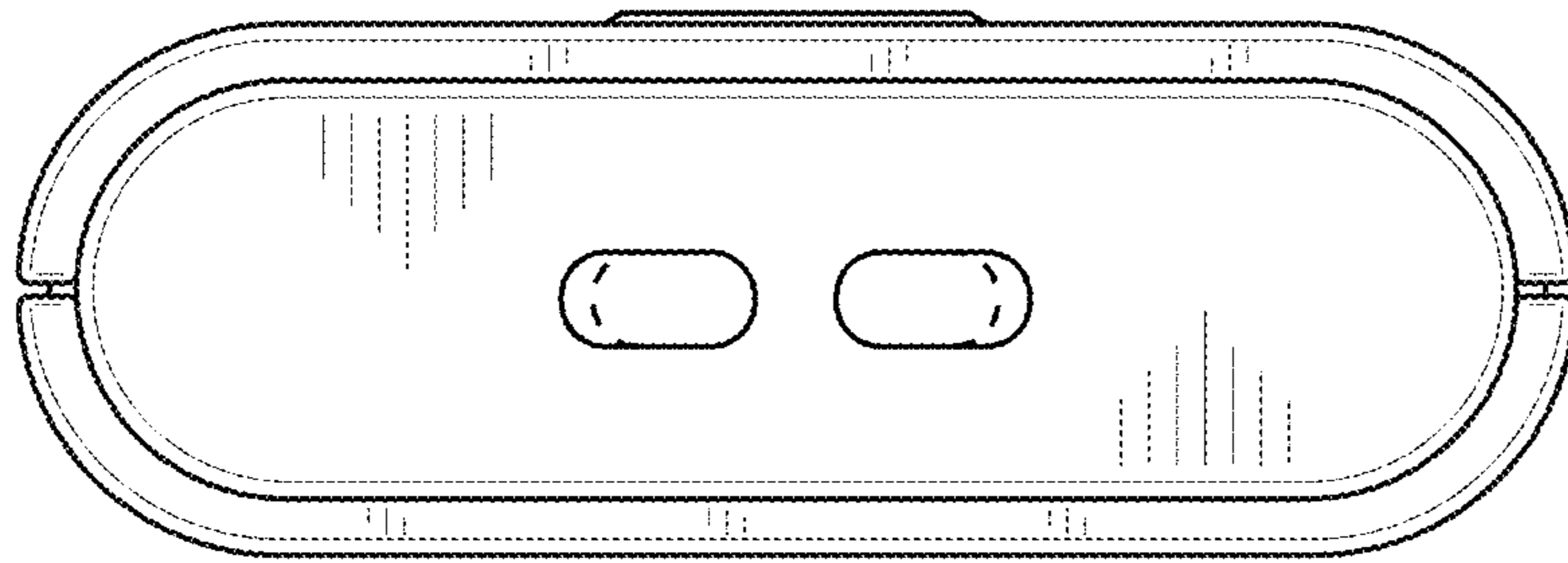


FIG. 4

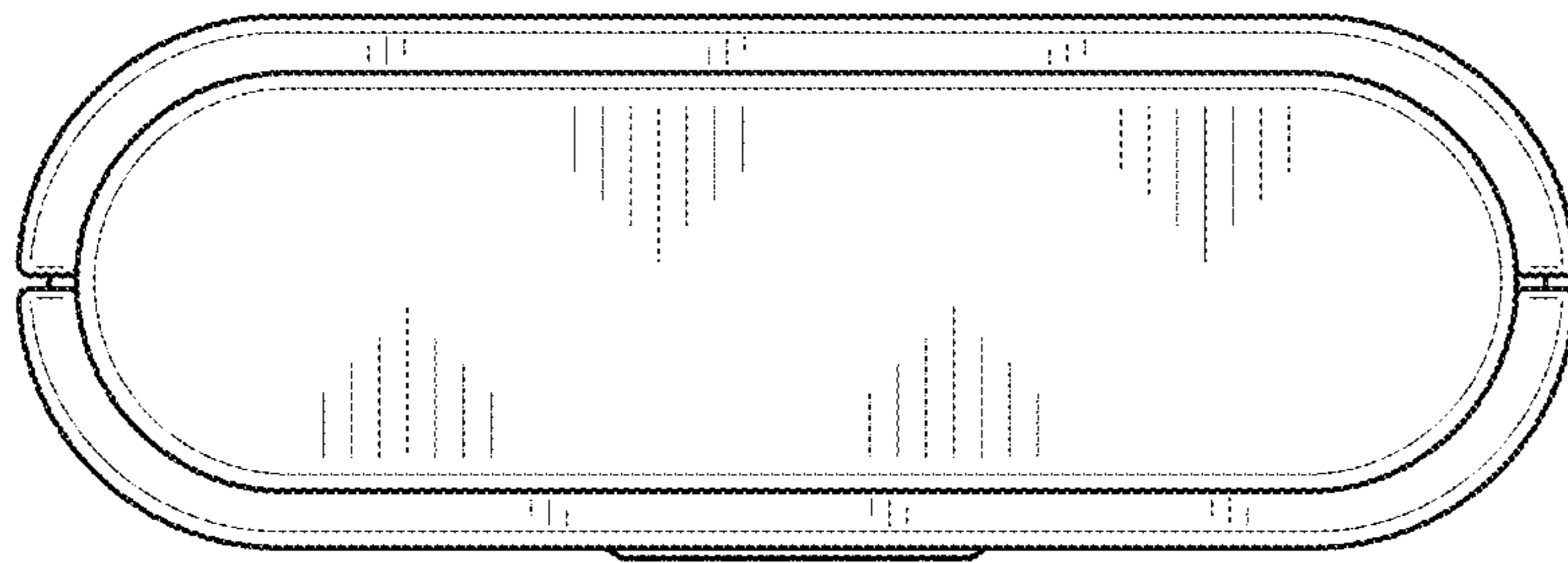


FIG. 3

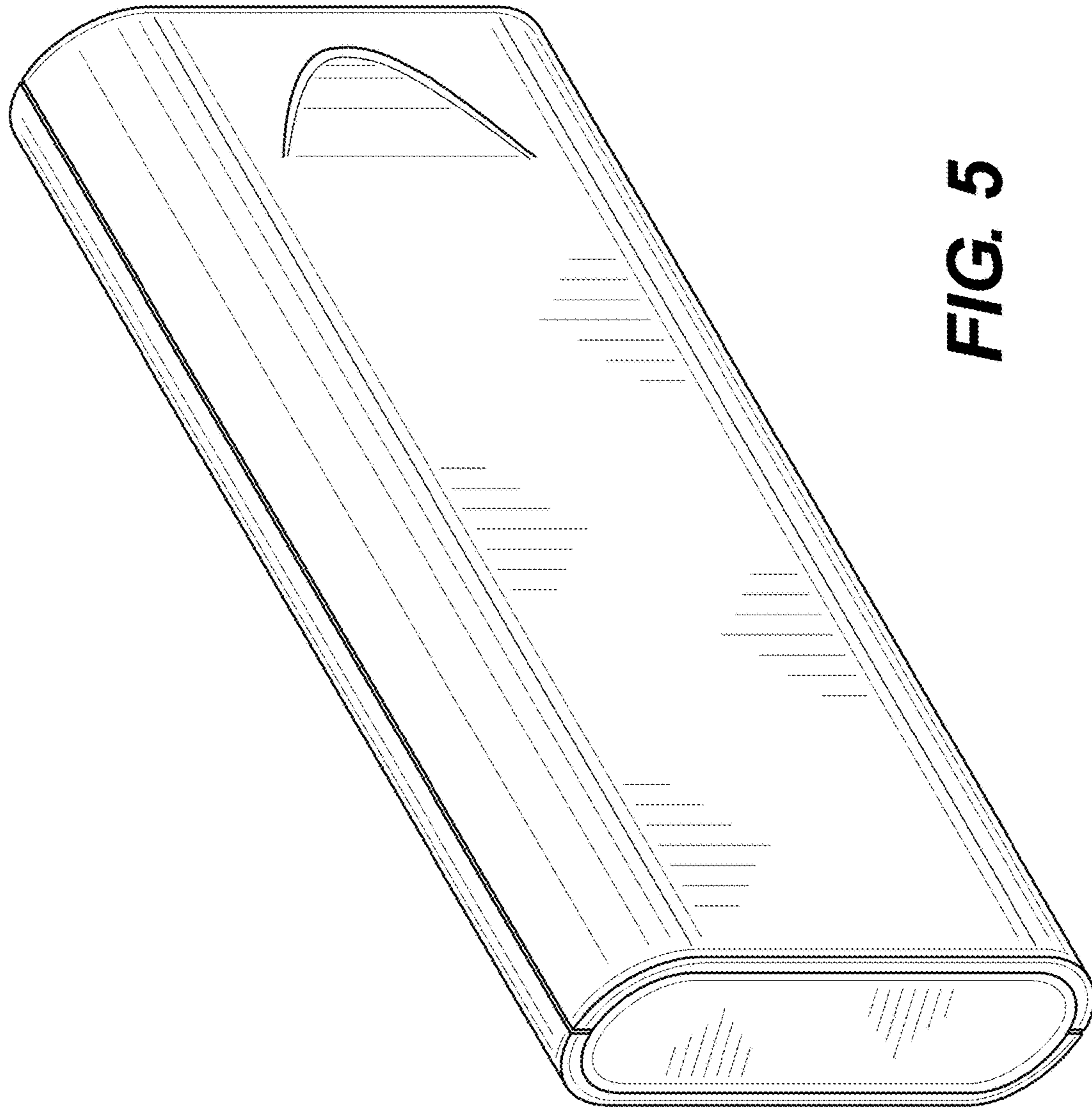


FIG. 5

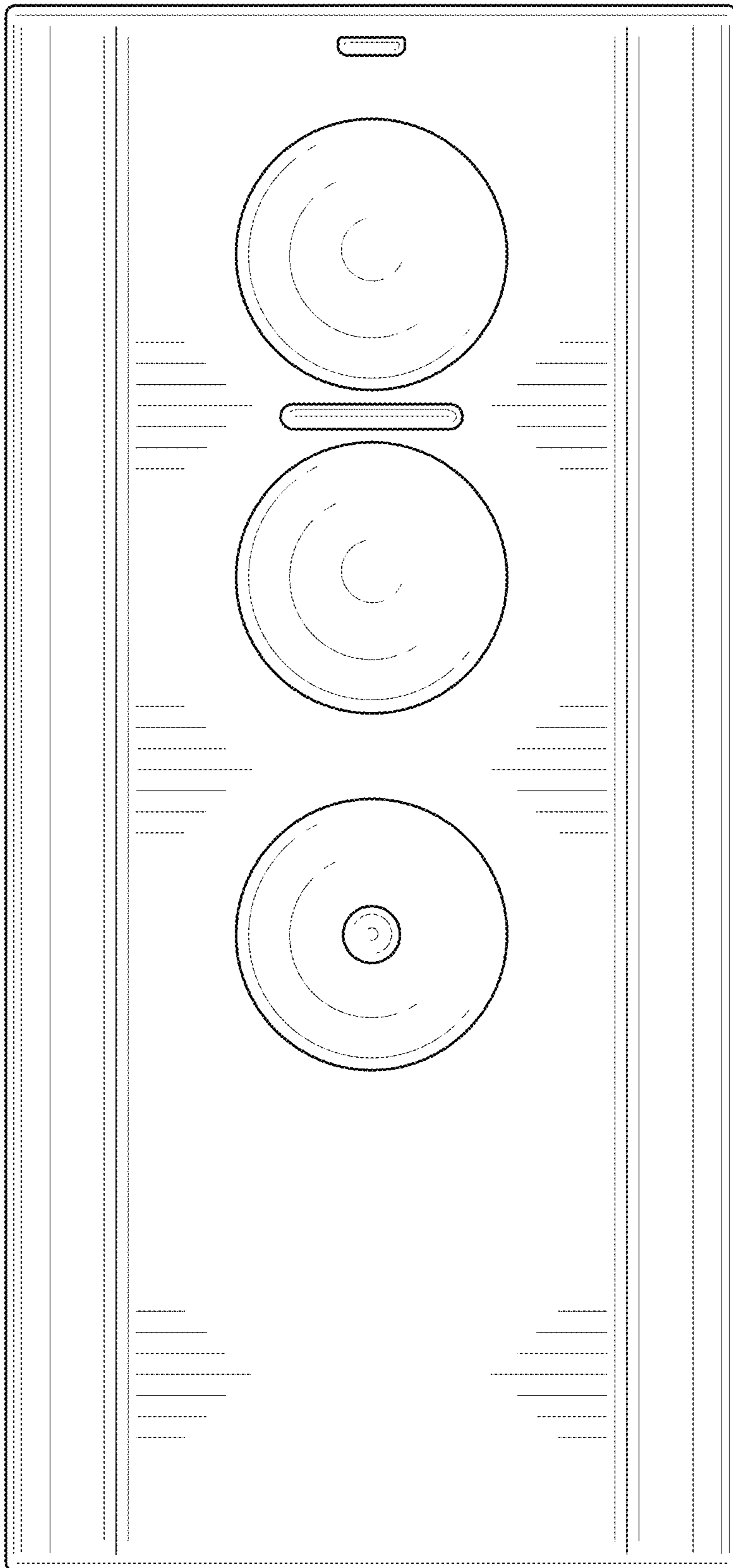


FIG. 6

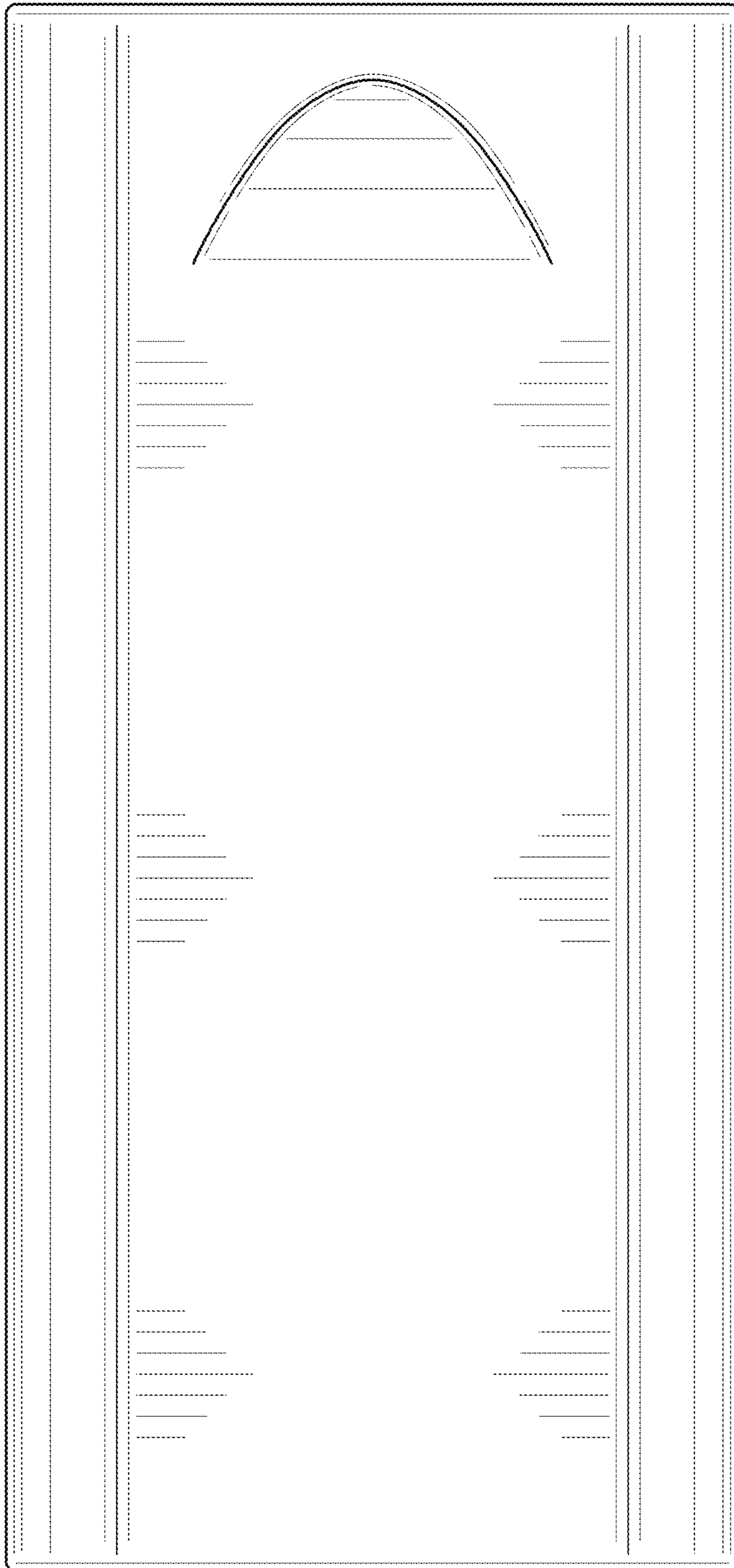


FIG. 7

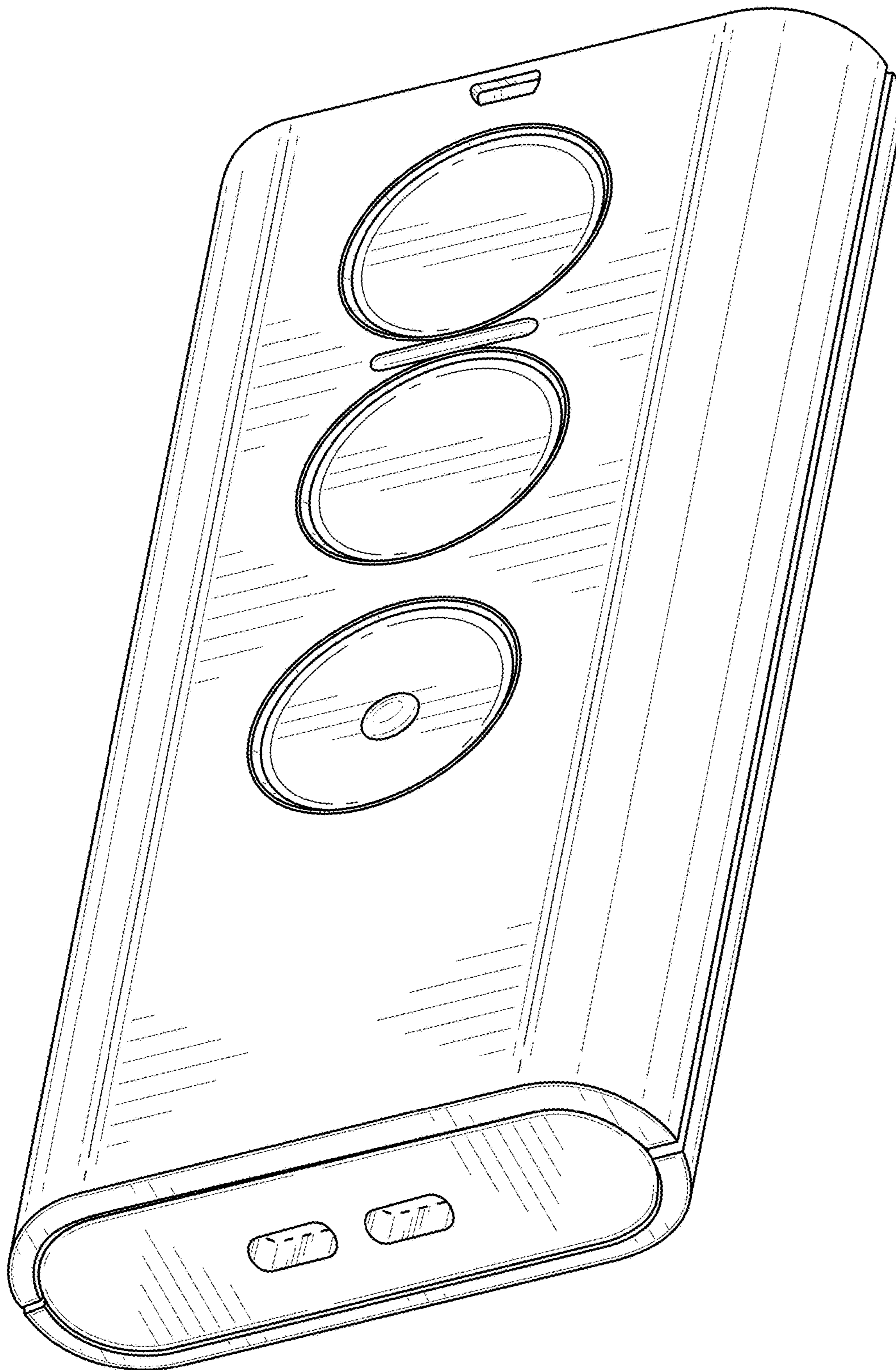


FIG. 8