



US00D785595S

(12) **United States Design Patent**
Morin

(10) **Patent No.:** **US D785,595 S**

(45) **Date of Patent:** **** May 2, 2017**

(54) **ACOUSTIC HORN**

(71) Applicant: **Shuffle Three Audio, LLC**, Springville, UT (US)

(72) Inventor: **Joseph Morin**, Springville, UT (US)

(73) Assignee: **SHUFFLE THREE AUDIO, LLC**, Springville, UT (US)

(**) Term: **15 Years**

(21) Appl. No.: **29/561,976**

(22) Filed: **Apr. 21, 2016**

(51) **LOC (10) Cl.** **14-03**

(52) **U.S. Cl.**
USPC **D14/208**; D14/188; D14/209.1

(58) **Field of Classification Search**
USPC D14/162, 167-169, 175, 179, 188, D14/194-198, 208, 209.1, 217, 251-253, D14/257, 265, 299, 496
CPC H04M 1/67; H04M 2250/12; H04N 7/15; G06K 9/00013; G06K 9/00026; G06K 9/00919; G08B 13/1427; G08B 21/023
See application file for complete search history.

(56) **References Cited**

U.S. PATENT DOCUMENTS

D684,142 S *	6/2013	Sun	D14/208
D691,125 S *	10/2013	Cheon	D14/253
D711,364 S *	8/2014	Barker	D14/208
D714,282 S *	9/2014	Cheon	D14/208

D734,292 S *	7/2015	Barone	D14/188
D738,847 S *	9/2015	Park	D14/188
D772,198 S *	11/2016	Hsiao	D14/208

* cited by examiner

Primary Examiner — Keli L Hill

(74) *Attorney, Agent, or Firm* — Bryant J. Keller; Kirton McConkie, PC

(57) **CLAIM**

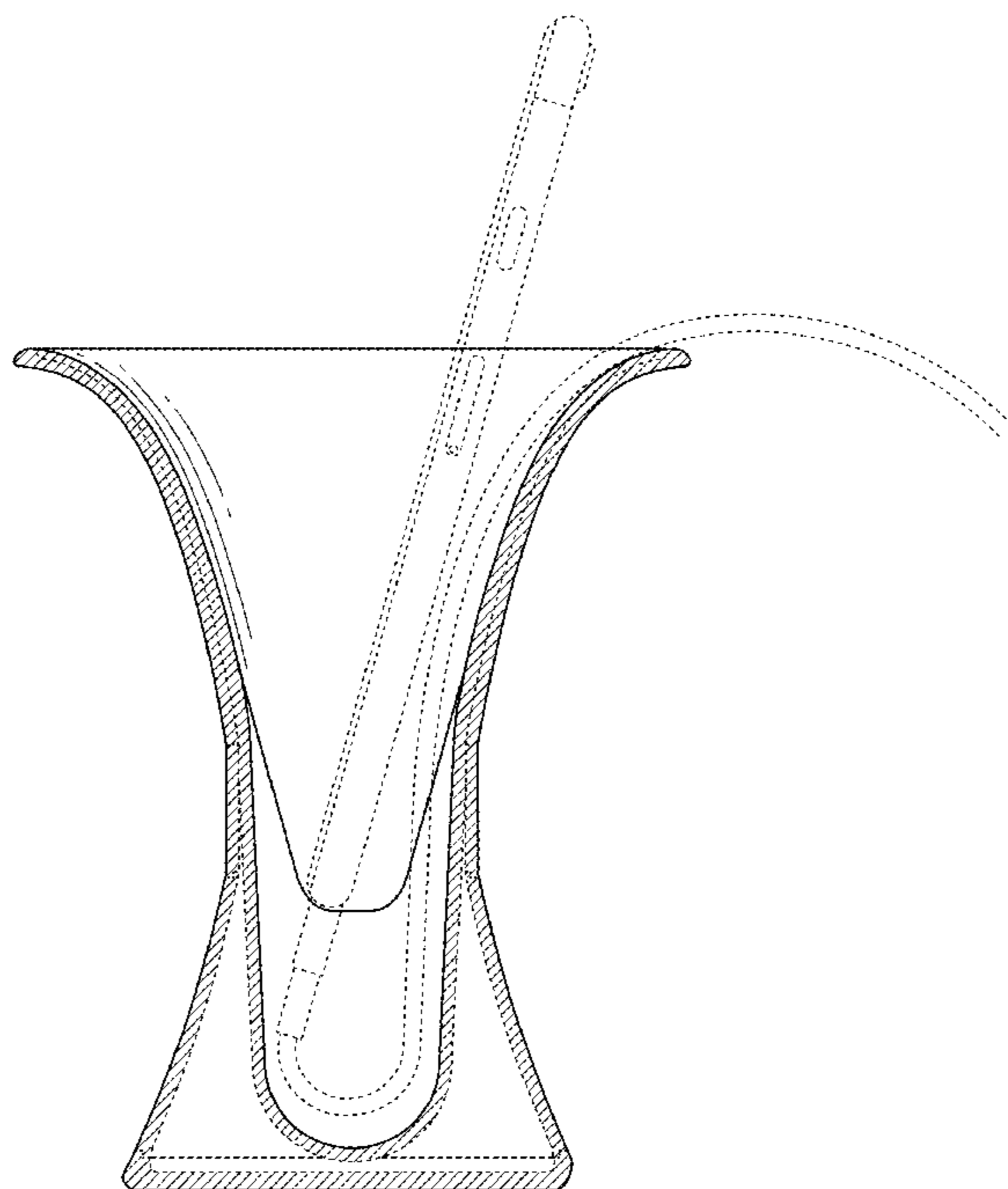
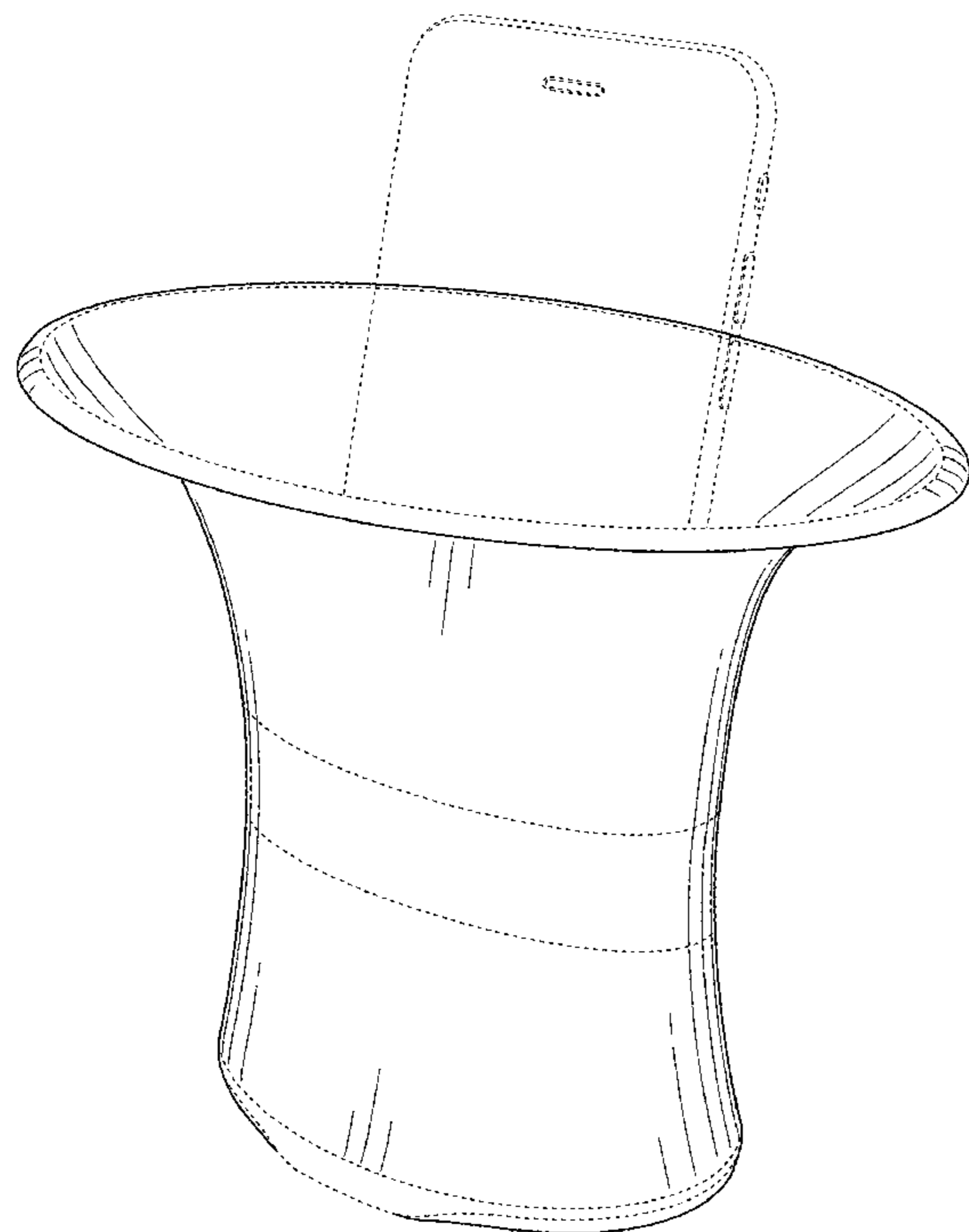
The ornamental design for an acoustic horn, as shown and described.

DESCRIPTION

FIG. 1 is a front and right side perspective view of an acoustic horn, embodying my new design; the front and left side perspective view being a mirror image thereto; FIG. 2 is a back, right side perspective view thereof, wherein the back, left side elevation view is a mirror image thereof; FIG. 3 is a front elevation view thereof; FIG. 4 is a back elevation view thereof; FIG. 5 is a left side elevation view thereof; FIG. 6 is a right side elevation view thereof; FIG. 7 is a top plan view thereof; FIG. 8 is a bottom plan view thereof; FIG. 9 is a right side cross-sectional view thereof, taken along line 9-9 in FIG. 3; and, FIG. 10 is a front side cross-sectional view thereof, taken along line 10-10 in FIG. 5.

The broken line portions show unclaimed subject matter only and form no part of the claimed design.

1 Claim, 9 Drawing Sheets



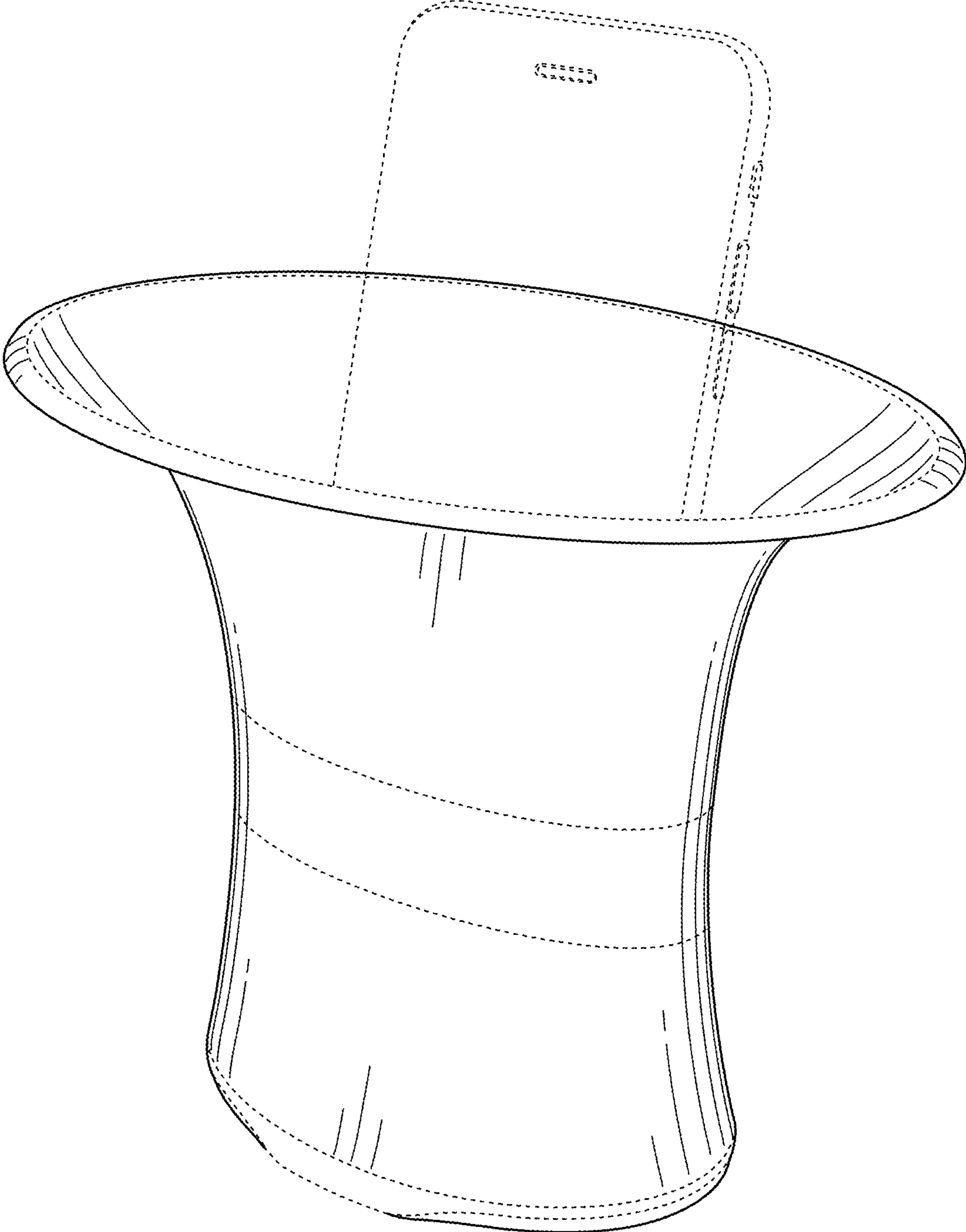


FIG. 1

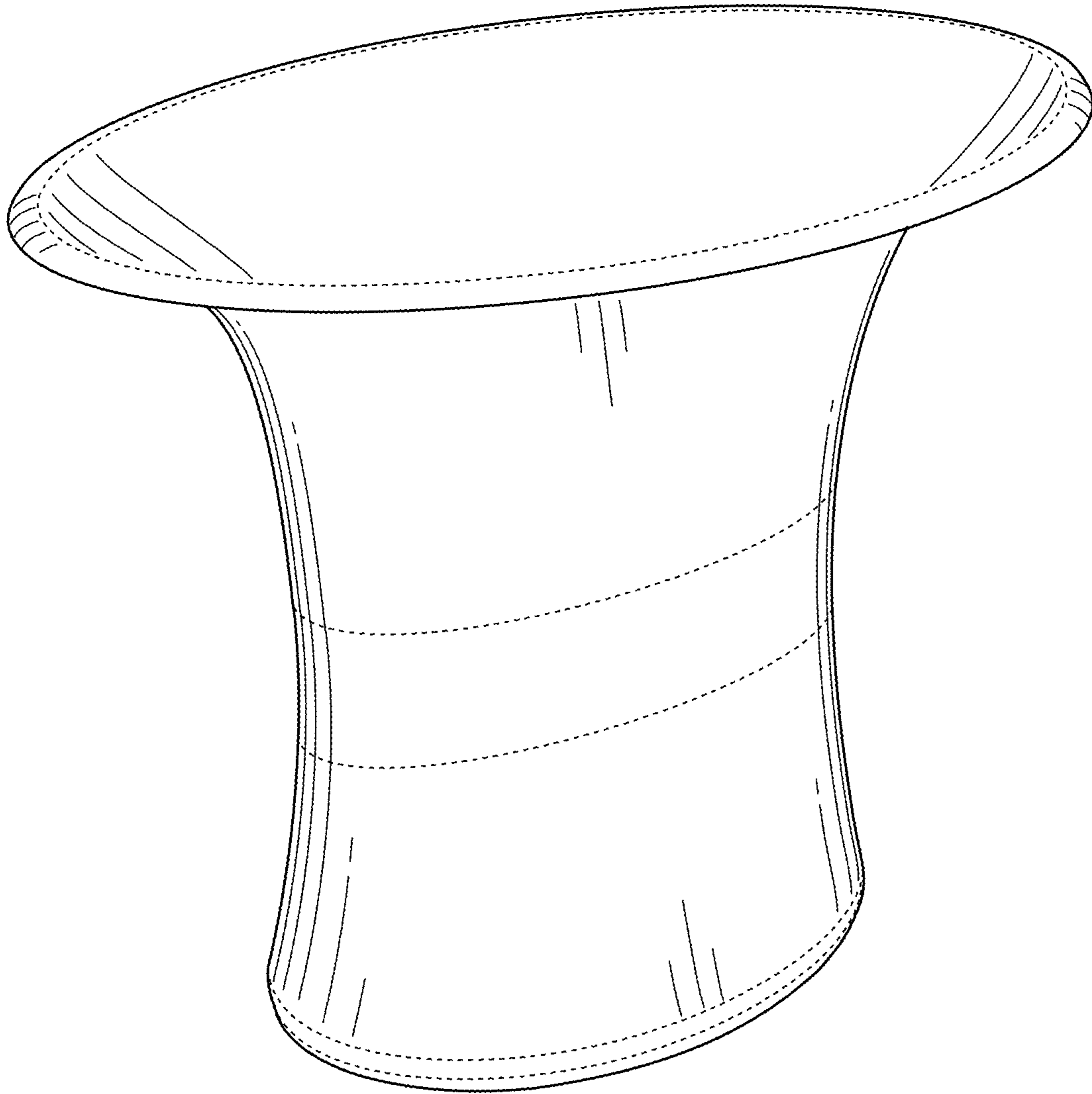


FIG. 2

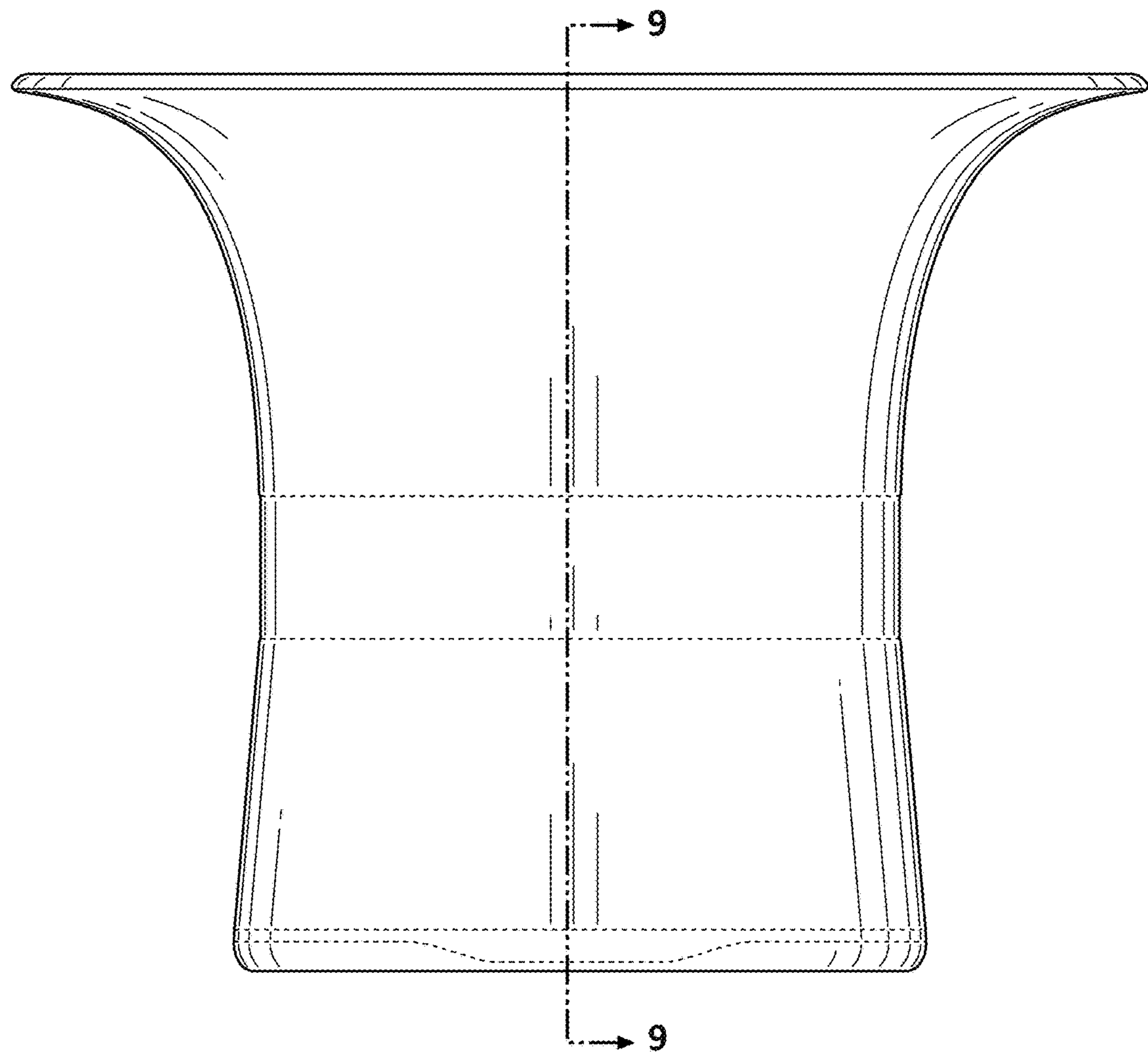


FIG. 3

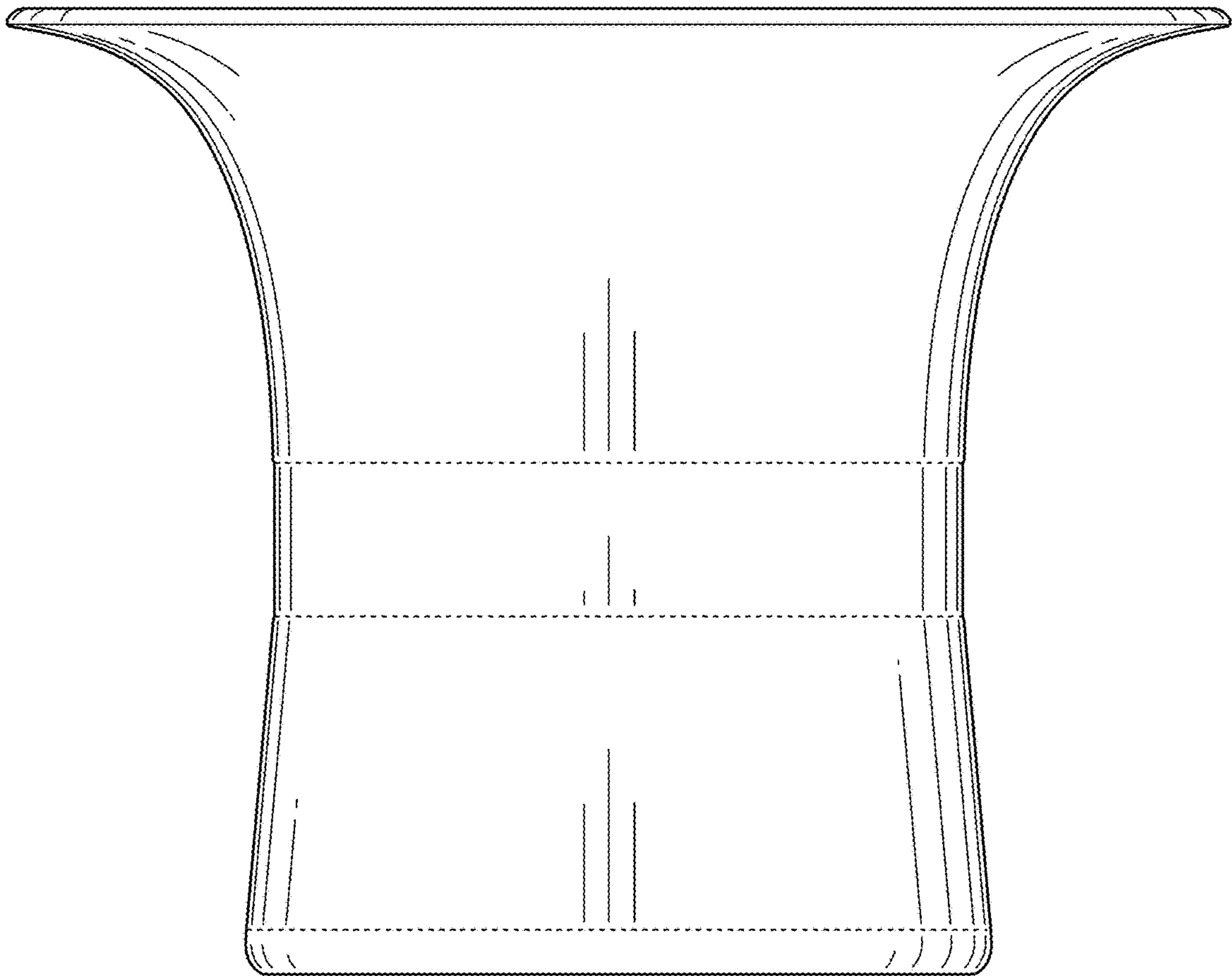


FIG. 4

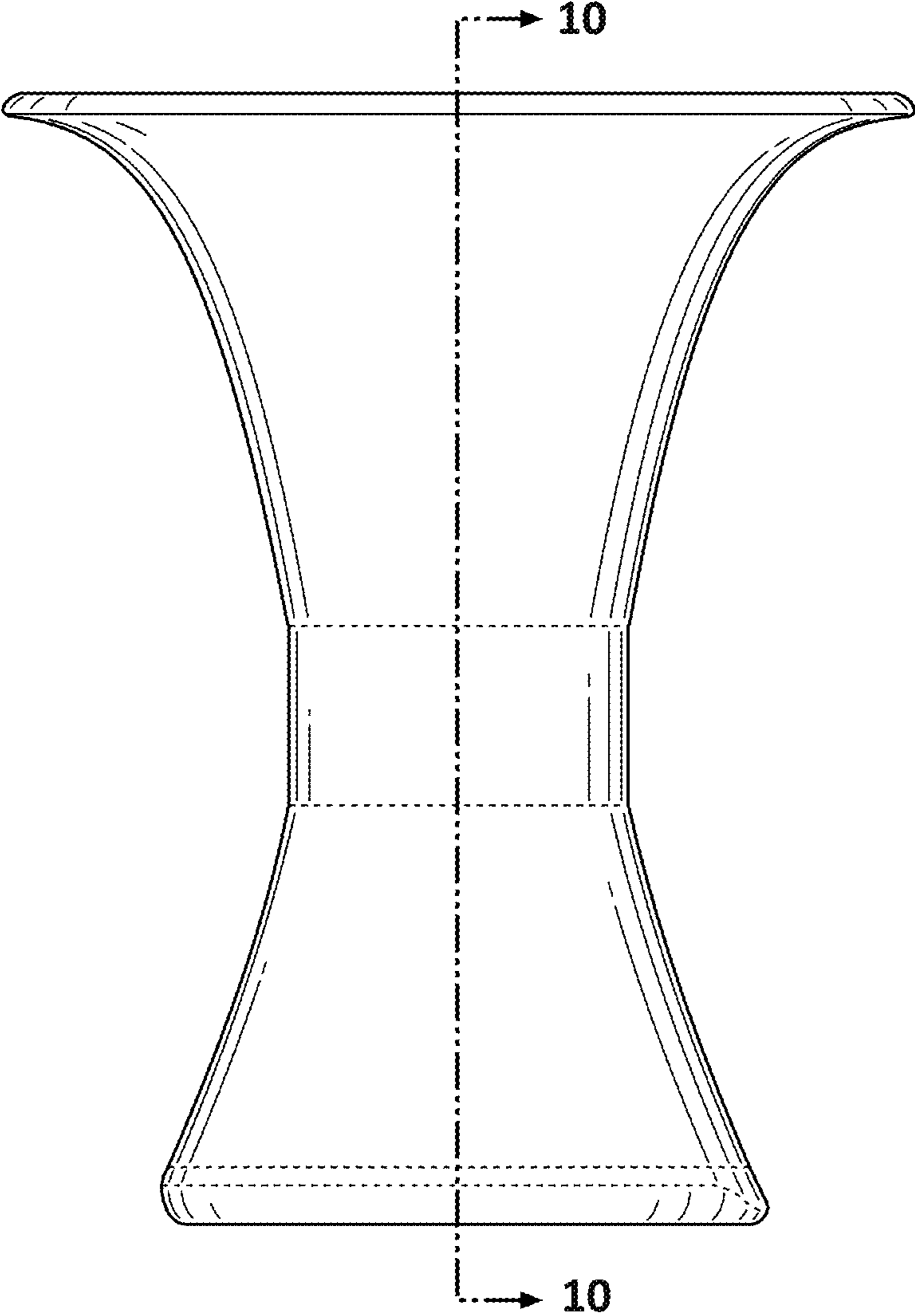


FIG. 5

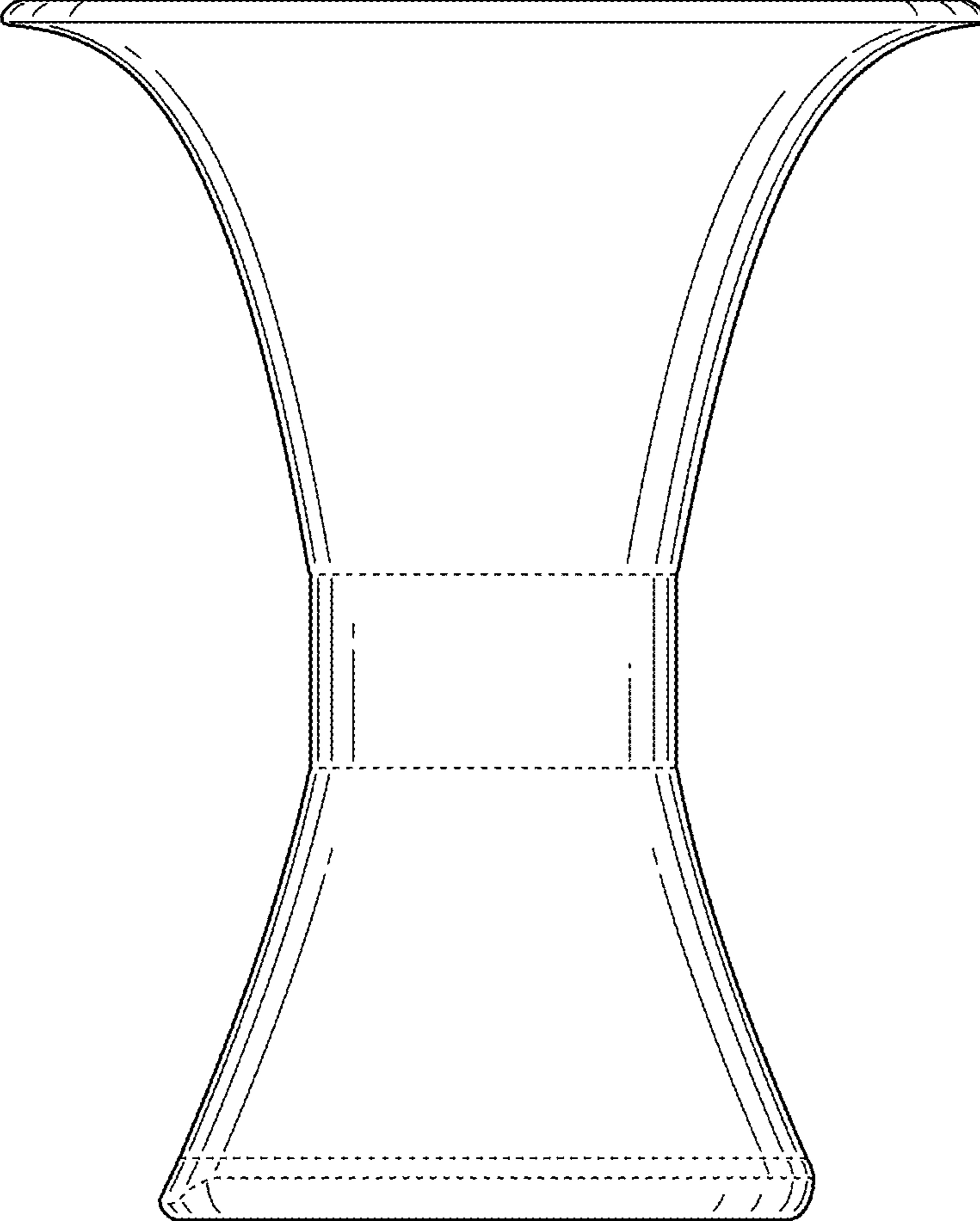


FIG. 6

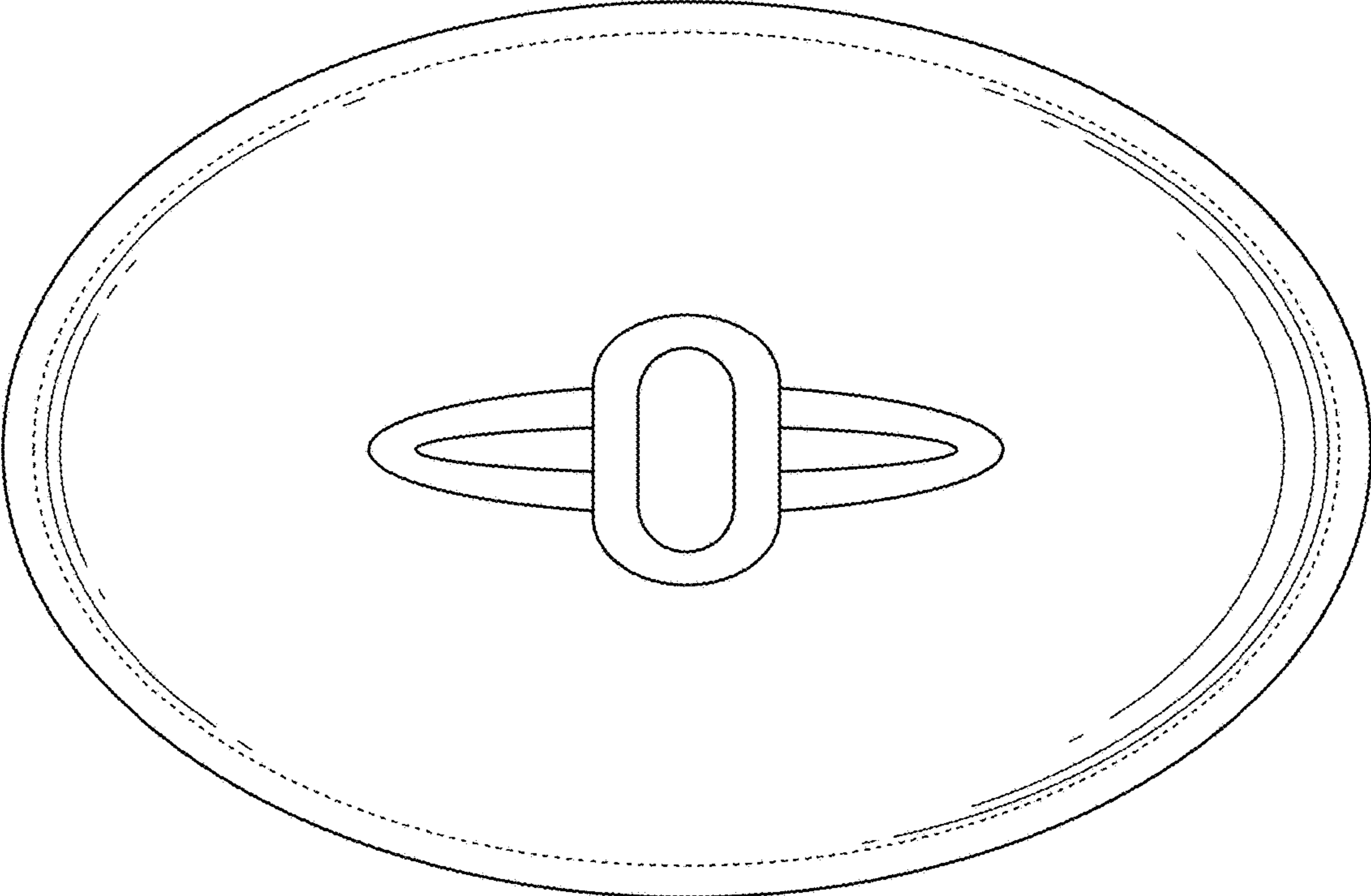


FIG. 7

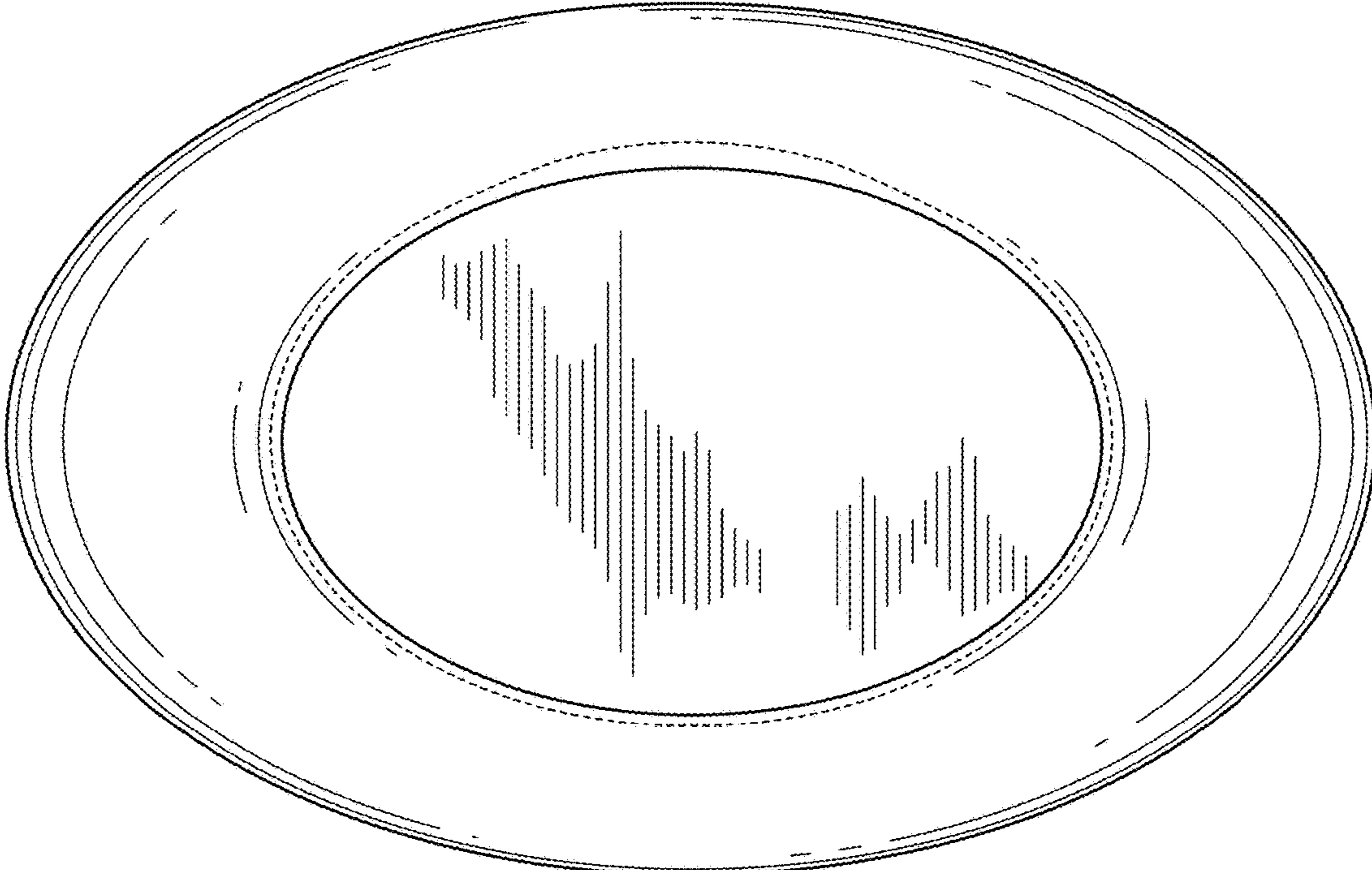


FIG. 8

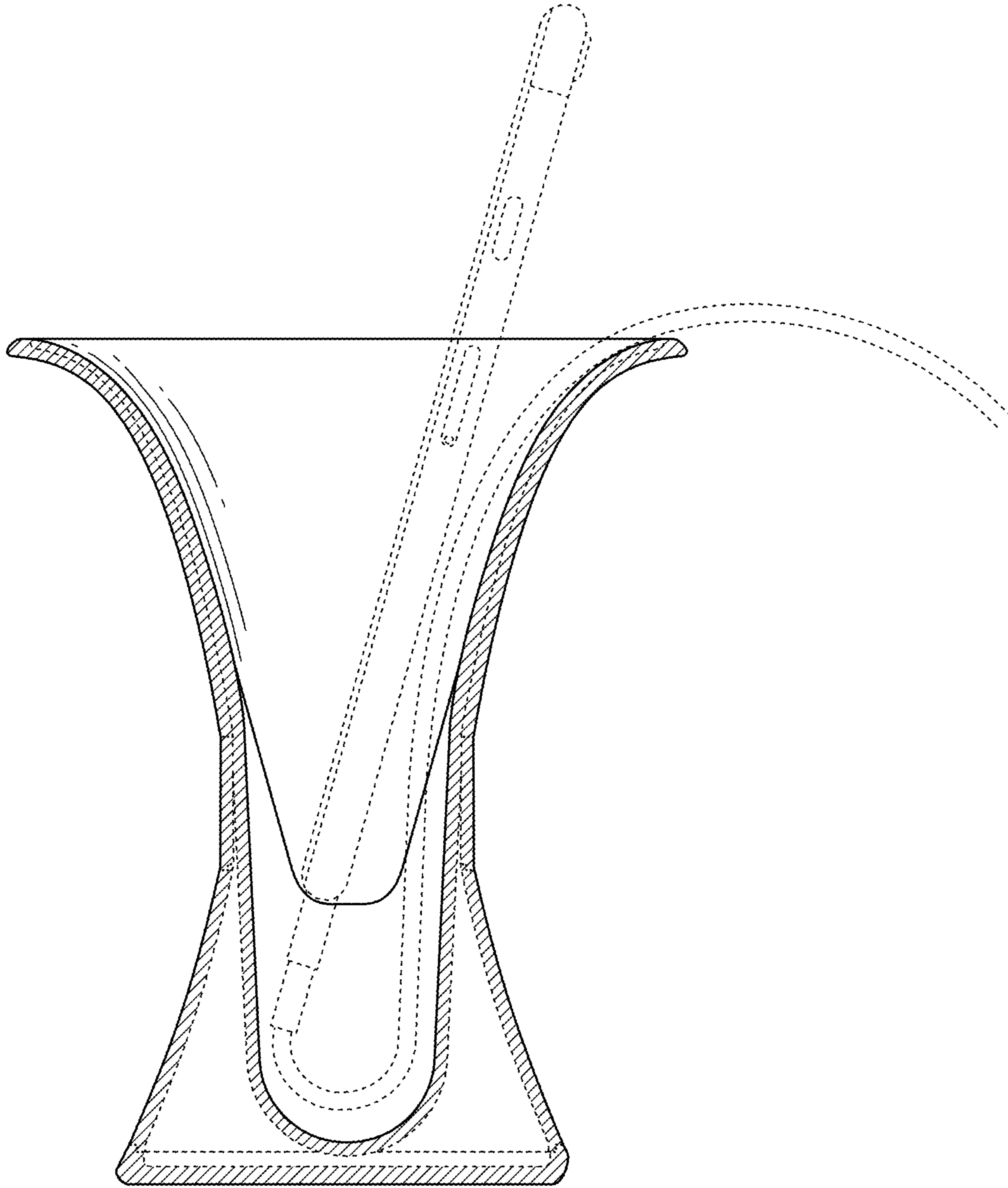


FIG. 9

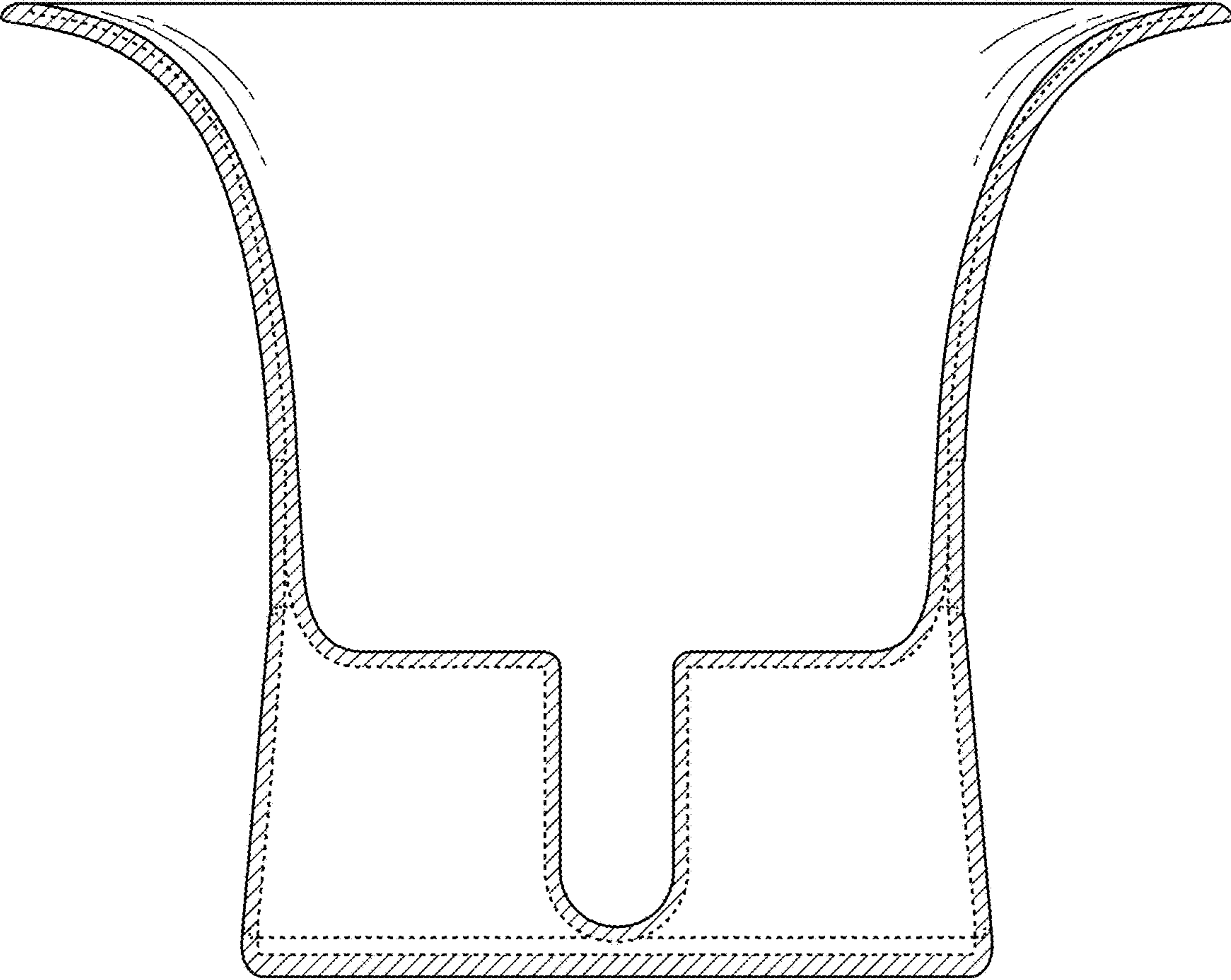


FIG. 10