



US00D785585S

(12) **United States Design Patent**
Ismail et al.

(10) **Patent No.:** **US D785,585 S**
(45) **Date of Patent:** **** May 2, 2017**

(54) **COMMUNICATION DEVICE**

- (71) Applicant: **MOTOROLA SOLUTIONS, INC.**,
Schaumburg, IL (US)
- (72) Inventors: **Jaihar Jailani Ismail**, Singapore (MY);
Mark C Palmer, Astoria, NY (US)
- (73) Assignee: **MOTOROLA SOLUTIONS, INC.**,
Chicago, IL (US)

(**) Term: **14 Years**

(21) Appl. No.: **29/503,907**

(22) Filed: **Sep. 30, 2014**

(51) **LOC (10) Cl.** **14-03**

(52) **U.S. Cl.**
USPC **D14/138 G**; D14/341; D14/137

(58) **Field of Classification Search**
USPC D14/138 G, 138 AD, 341, 138 R, 496,
D14/203.1, 203.3, 203.5, 203.7, 137, 250;
(Continued)

(56) **References Cited**

U.S. PATENT DOCUMENTS

- D611,048 S * 3/2010 Wood D14/341
 - D613,715 S * 4/2010 Hsu D14/138 AD
- (Continued)

OTHER PUBLICATIONS

Animated product tour video for the LEX L10 Mission Critical LTE Handheld, Published on Oct. 30, 2014, posted by HCTCreative, [online], [site visited Feb. 9, 2017]. Available from Internet, <URL: https://www.youtube.com/watch?v=4KGFr_qCTso>.*

(Continued)

Primary Examiner — Jeffrey D Asch

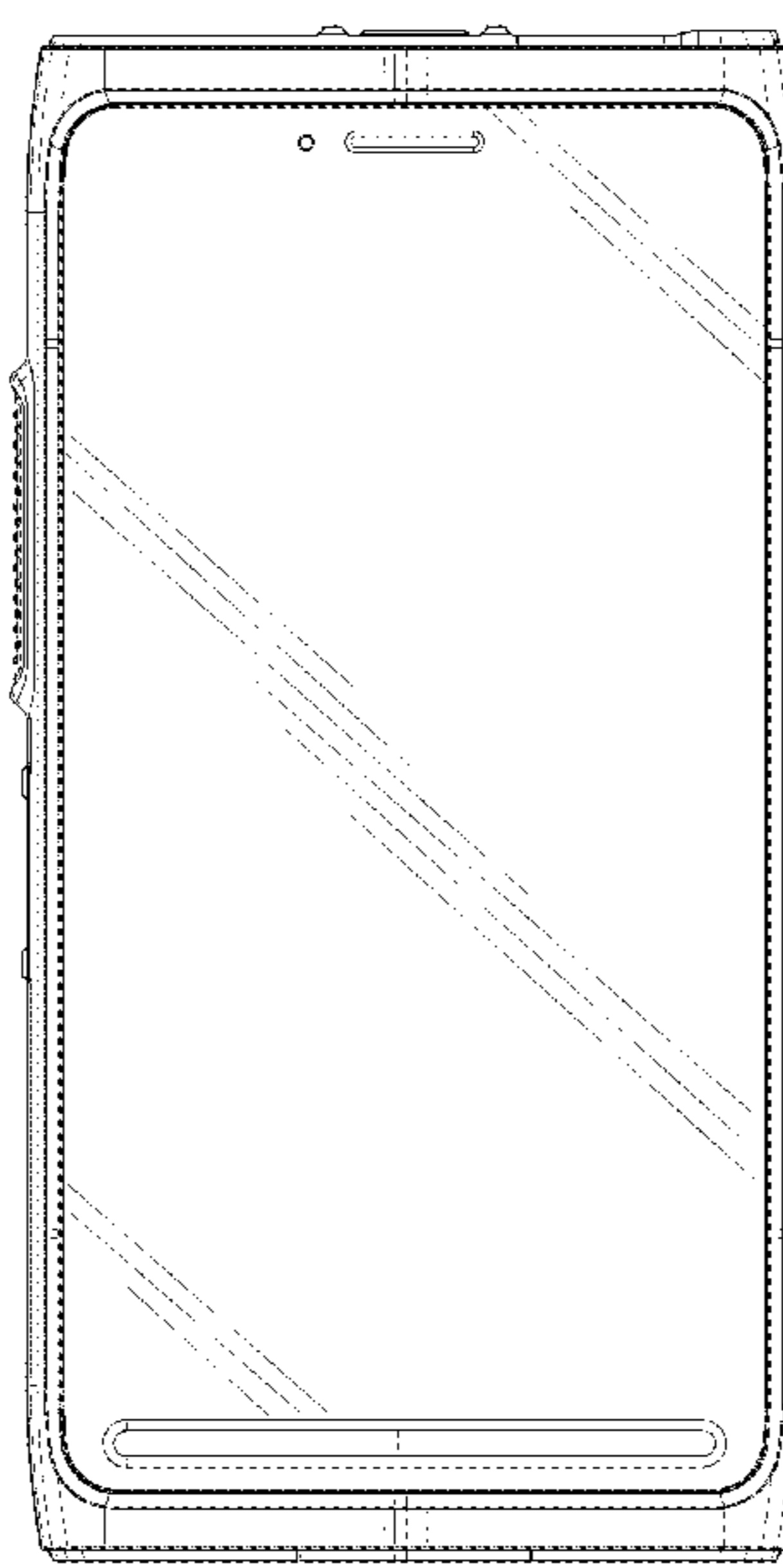
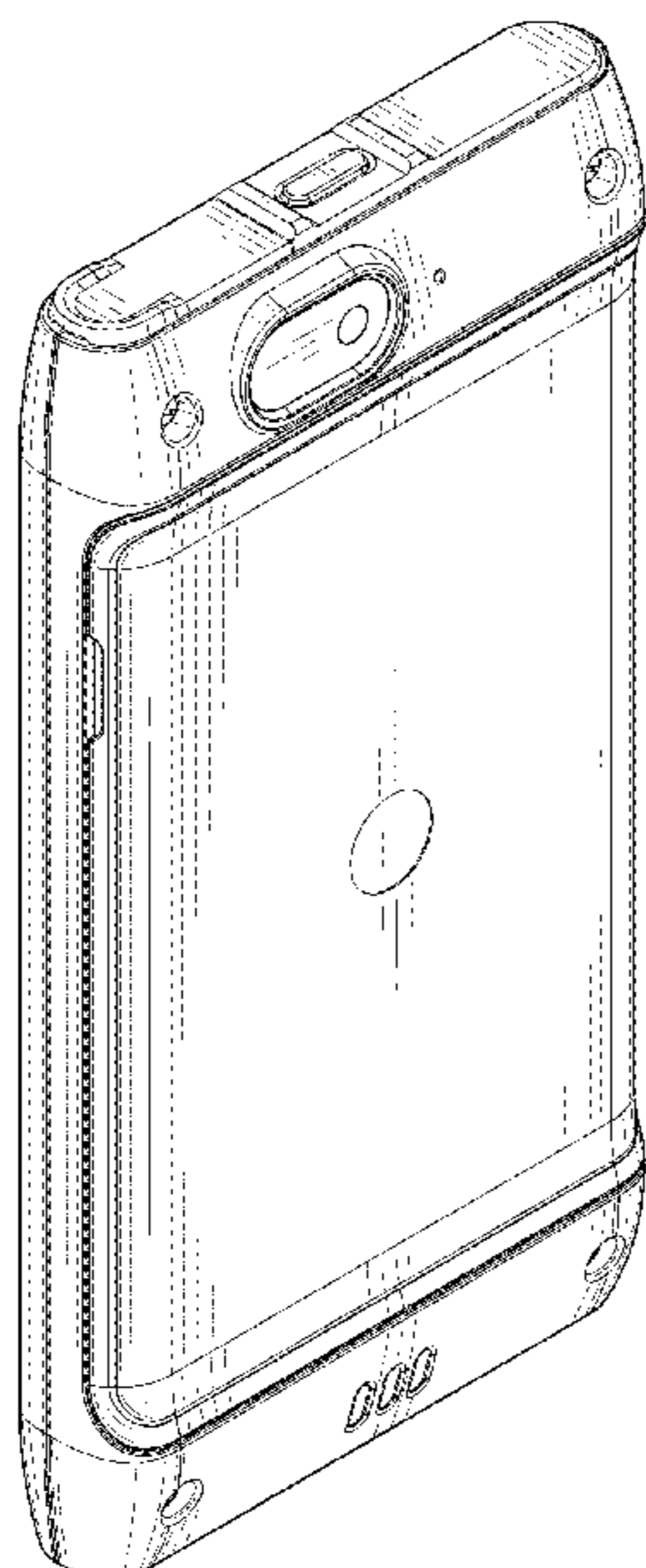
(57) **CLAIM**

The ornamental design for a communication device, as shown and described.

DESCRIPTION

FIG. 1 is a front perspective view of a first embodiment of an ornamental design for a communication device;
 FIG. 2 is a rear perspective view of the first embodiment thereof;
 FIG. 3 is a front view of the first embodiment thereof;
 FIG. 4 is a rear view of the first embodiment thereof;
 FIG. 5 is a first side view of the first embodiment thereof;
 FIG. 6 is a second side view of the first embodiment thereof;
 FIG. 7 is a top view of the first embodiment thereof; and
 FIG. 8 is a bottom view of the first embodiment thereof.
 FIG. 9 is a front perspective view of a second embodiment of an ornamental design for a communication device;
 FIG. 10 is a rear perspective view of the second embodiment thereof;
 FIG. 11 is a front view of the second embodiment thereof;
 FIG. 12 is a rear view of the second embodiment thereof;
 FIG. 13 is a first side view of the second embodiment thereof;
 FIG. 14 is a second side view of the second embodiment thereof;
 FIG. 15 is a top view of the second embodiment thereof;
 and,
 FIG. 16 is a bottom view of the second embodiment thereof.
 The broken lines shown in FIGS. 1-8, that are immediately adjacent to the shaded areas, and define unshaded regions, represent the bounds of the first embodiment, while all other broken lines are directed to environment and are for illustrative purposes only; the broken lines form no part of the first embodiment.

1 Claim, 12 Drawing Sheets



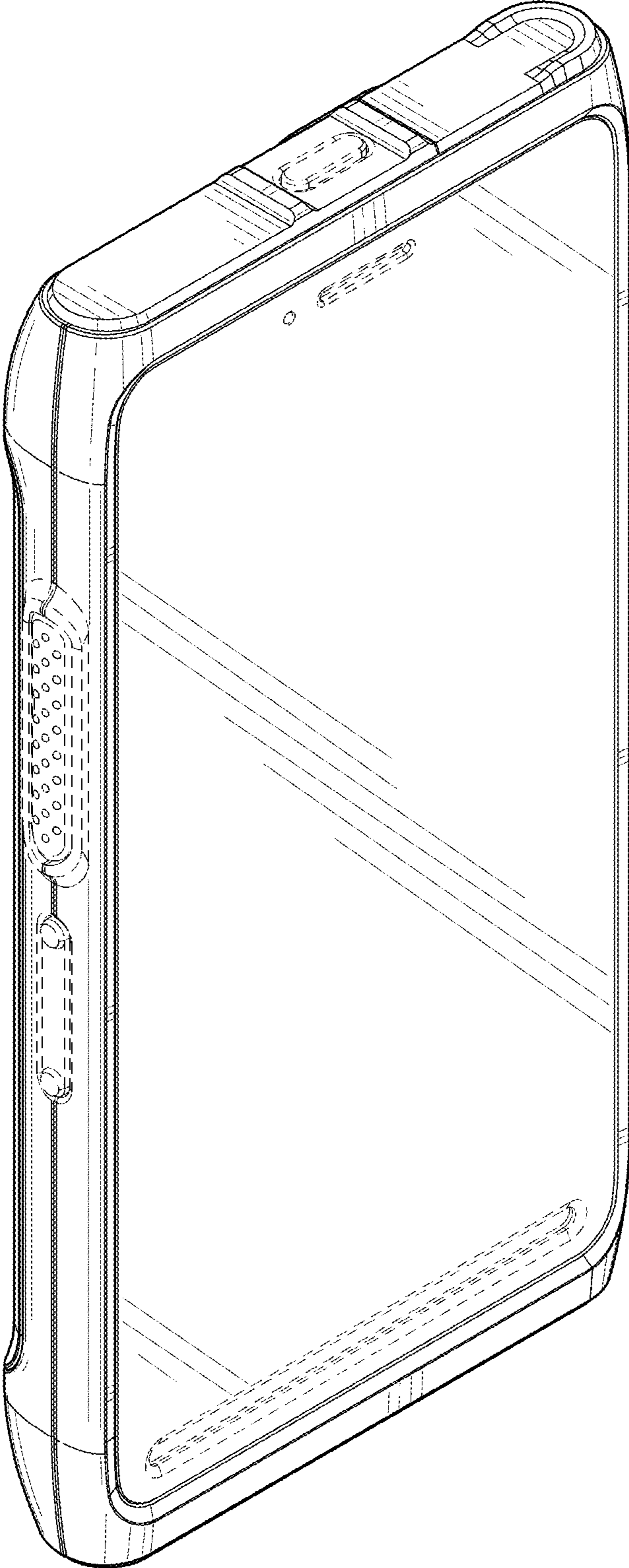


FIG. 1

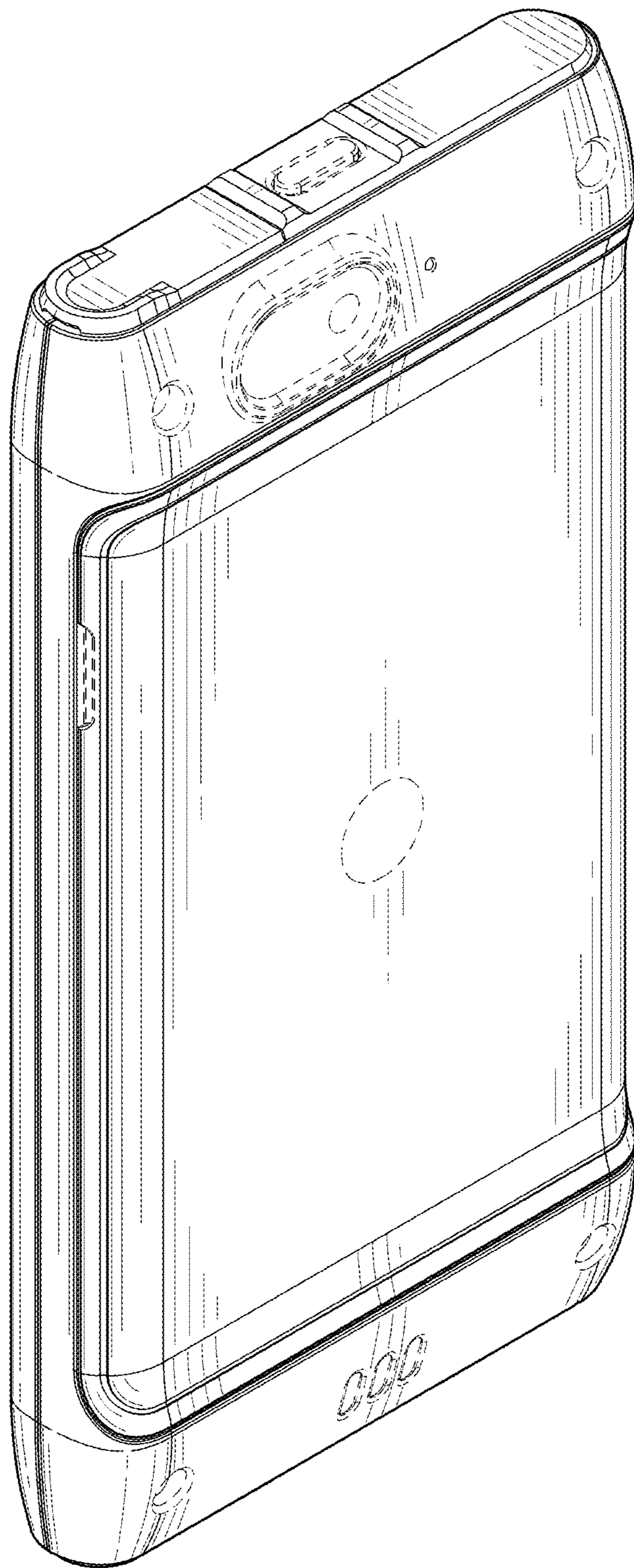


FIG. 2

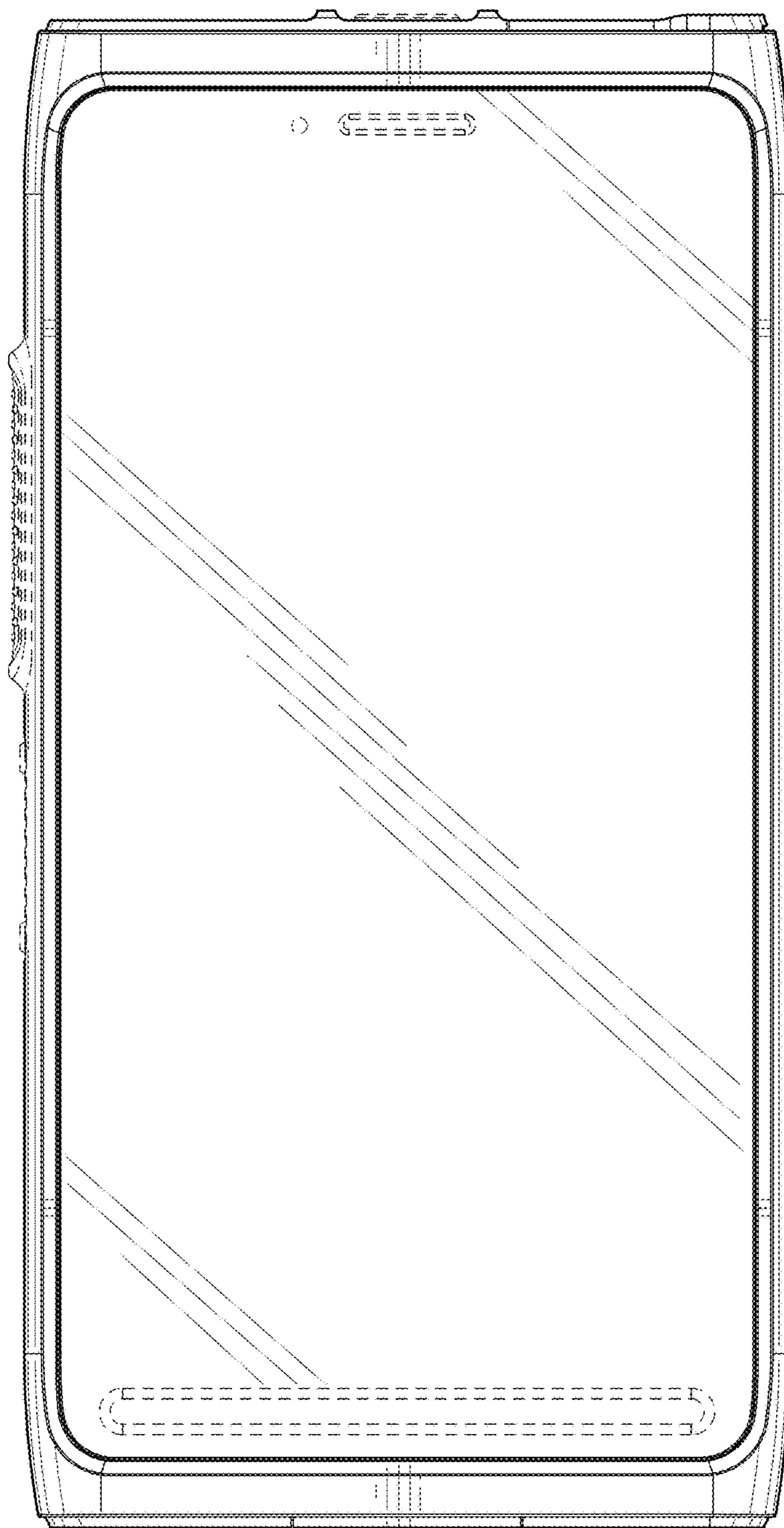


FIG. 3

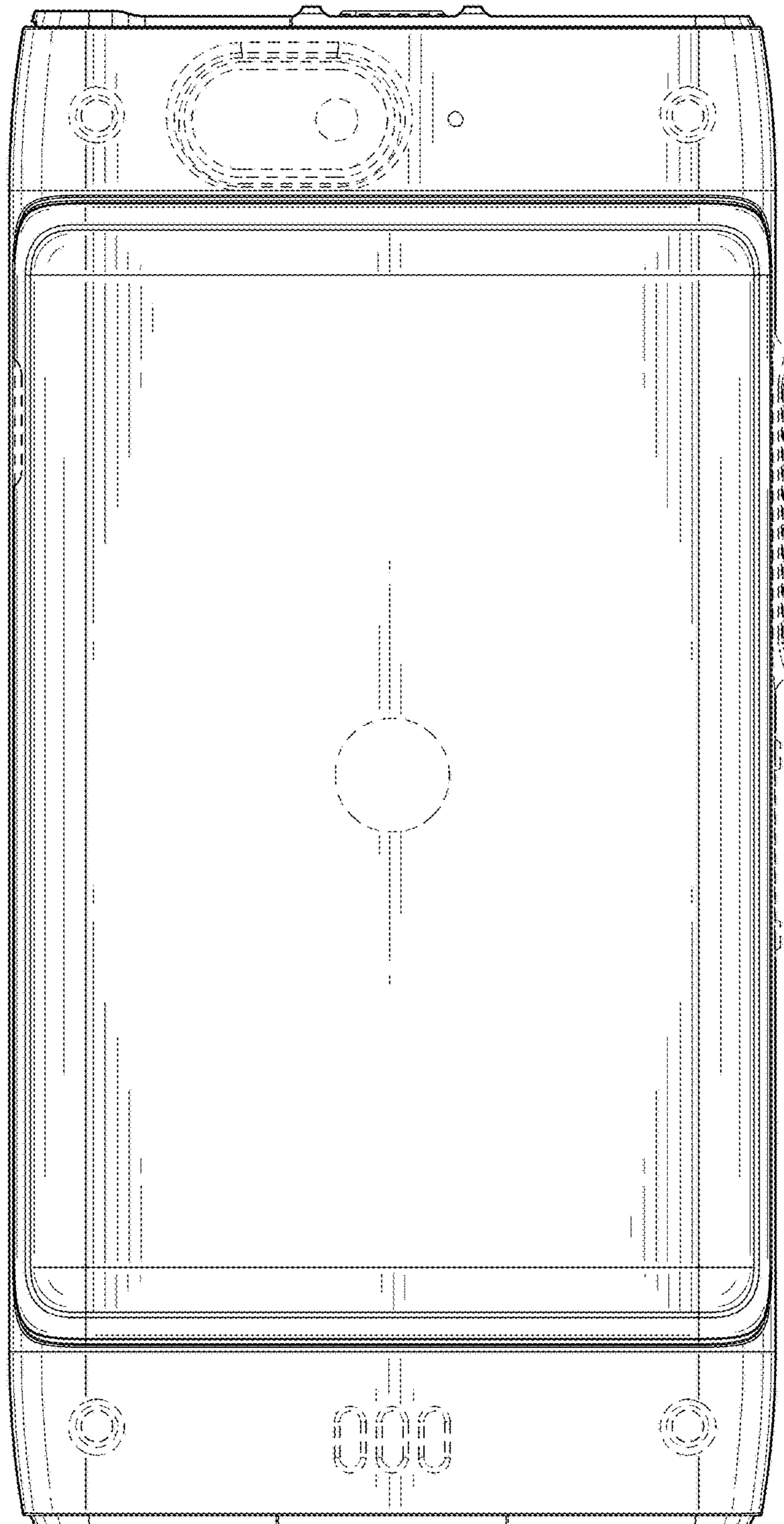


FIG. 4

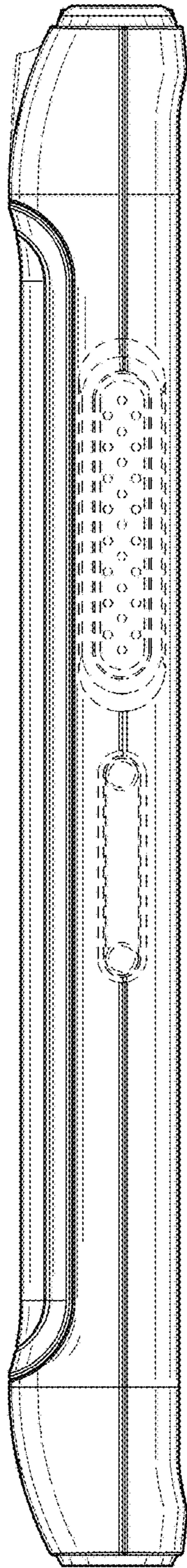


FIG. 5

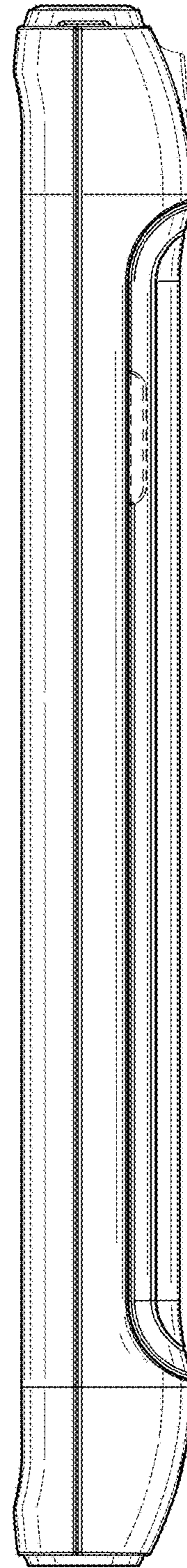


FIG. 6

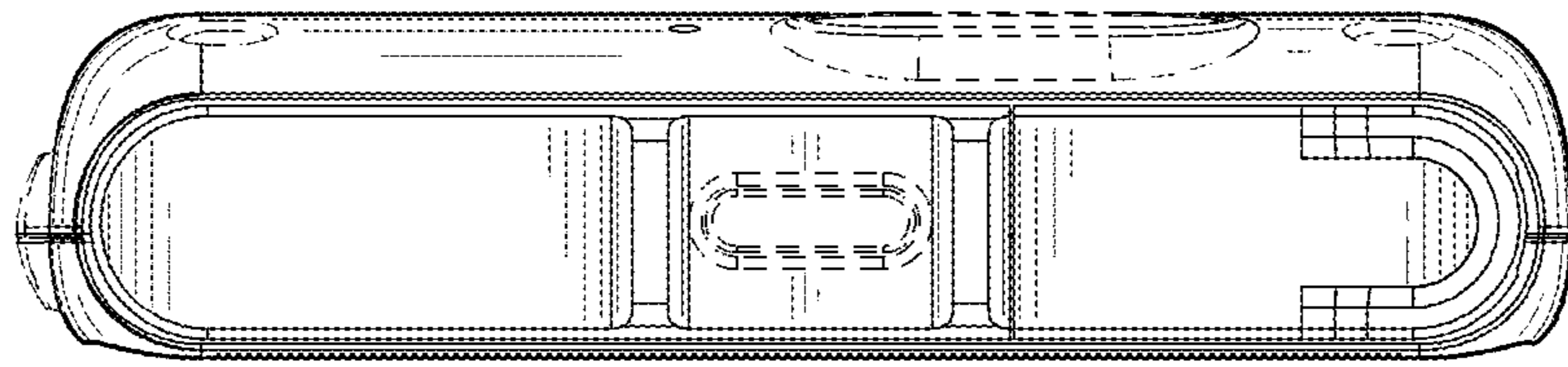


FIG. 7

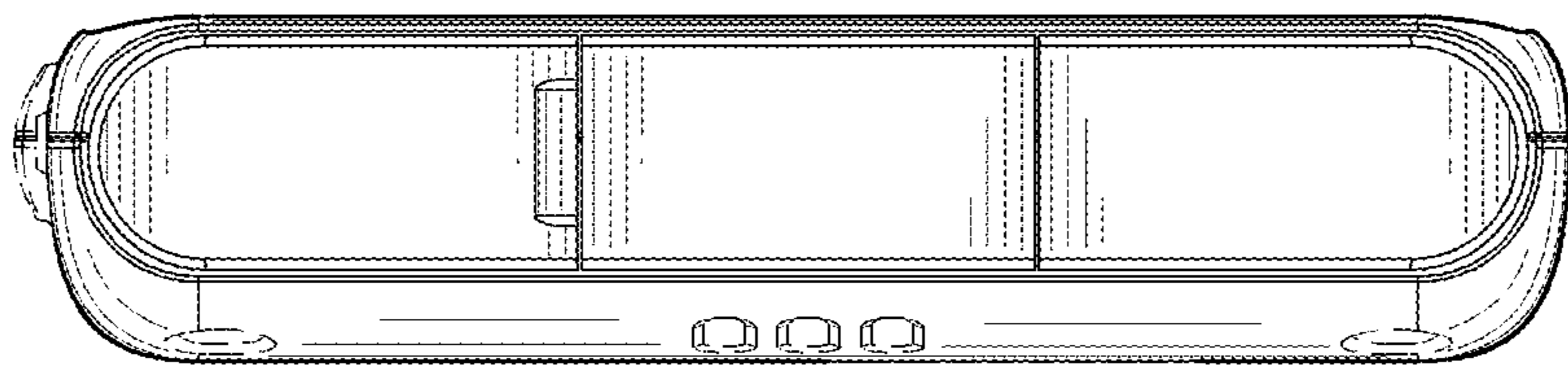


FIG. 8

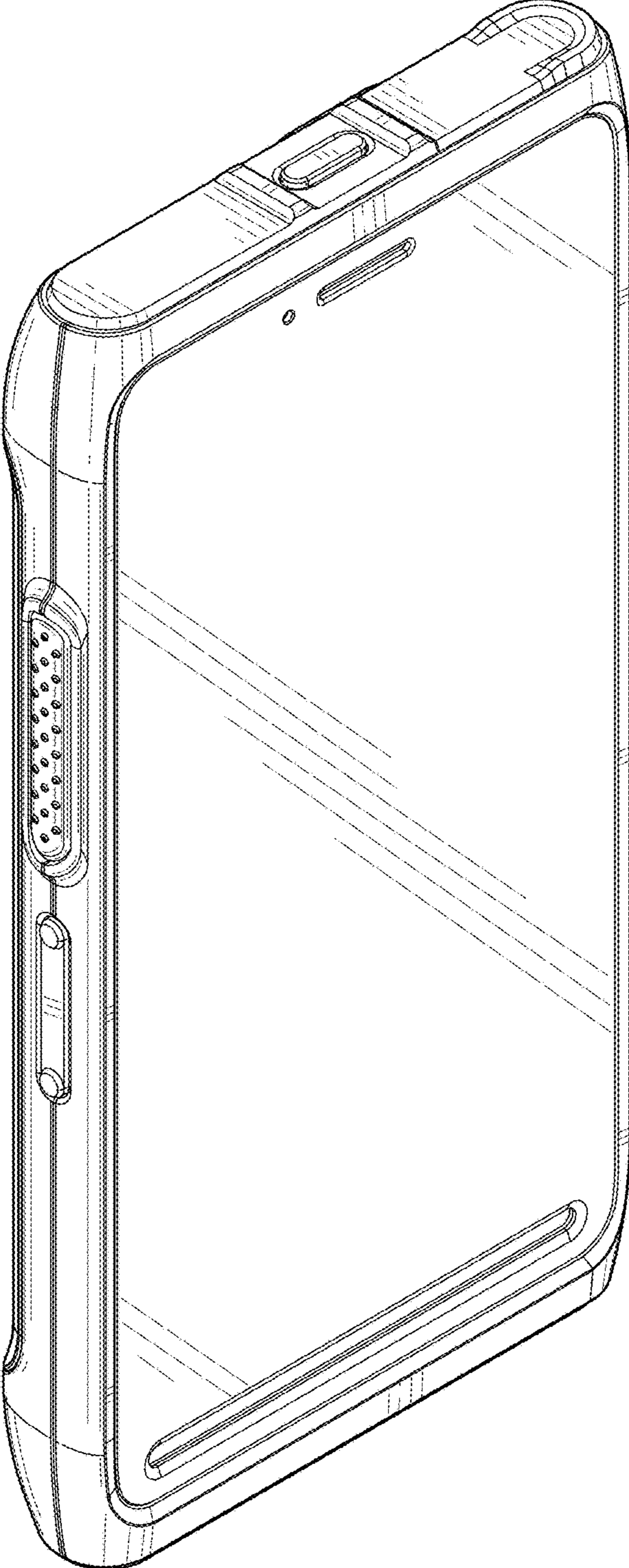


FIG. 9

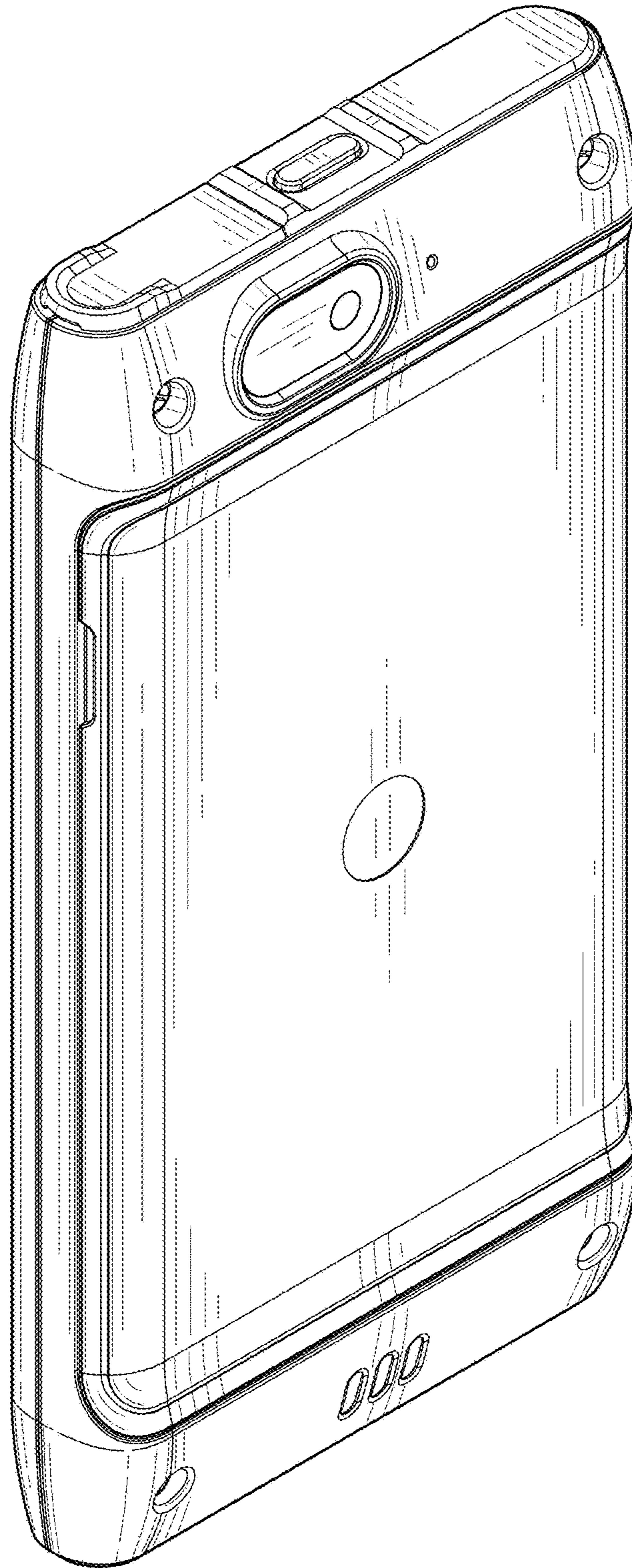


FIG. 10

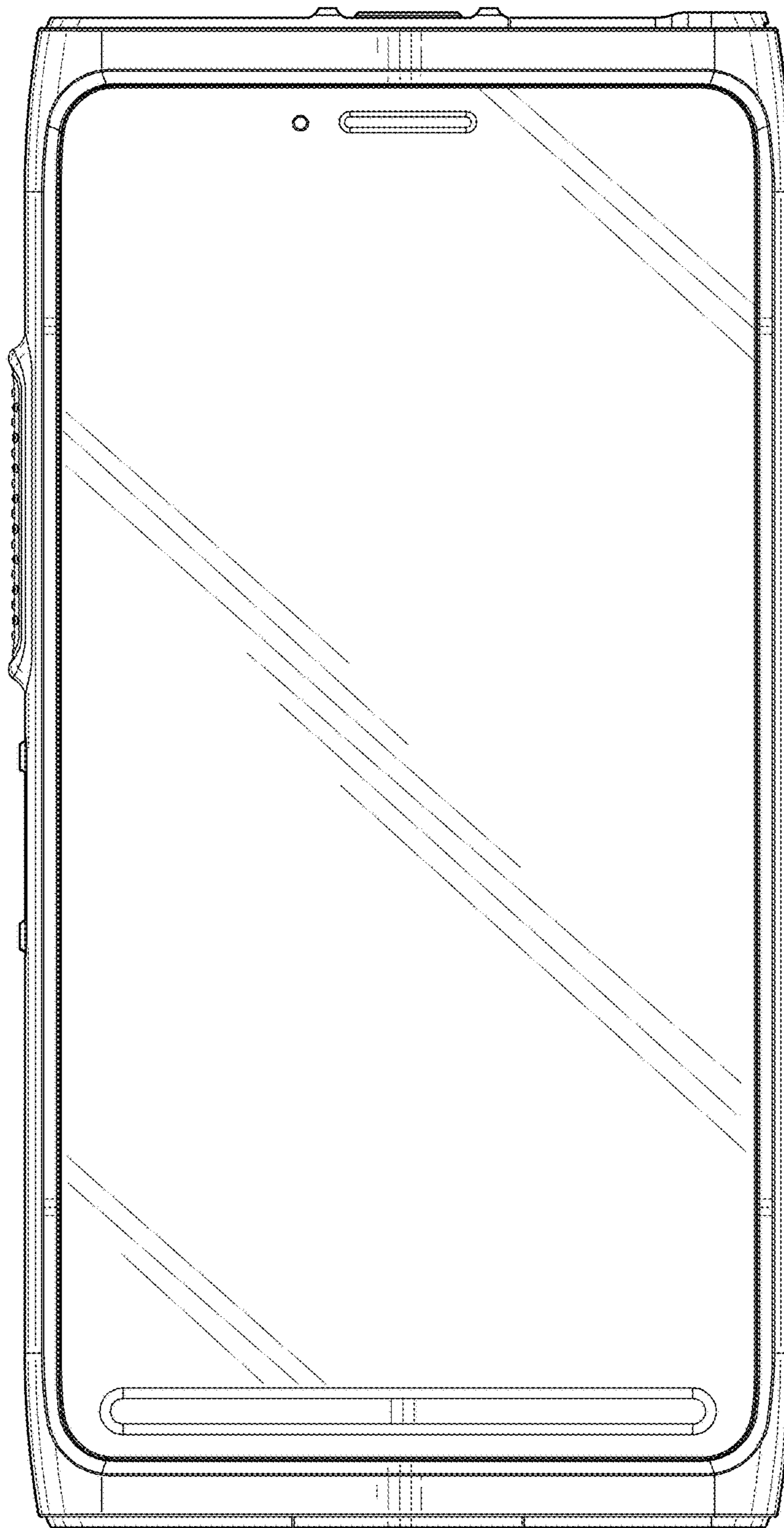


FIG. 11

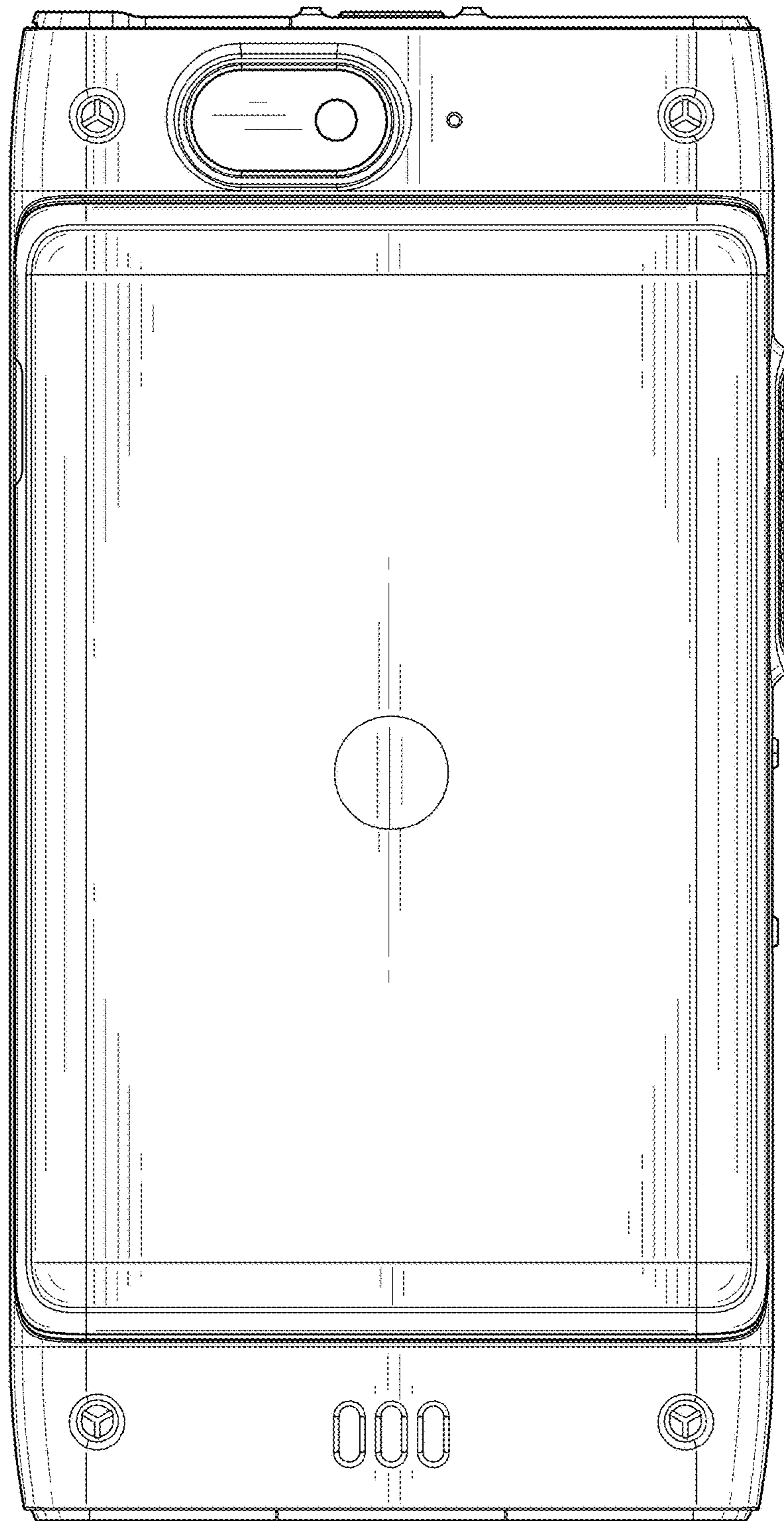


FIG. 12

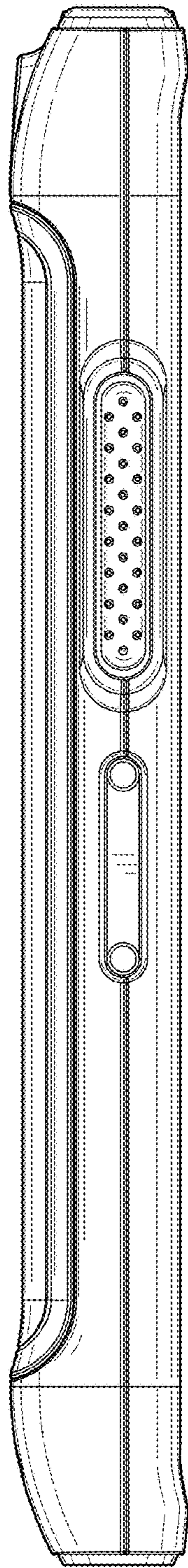


FIG. 13

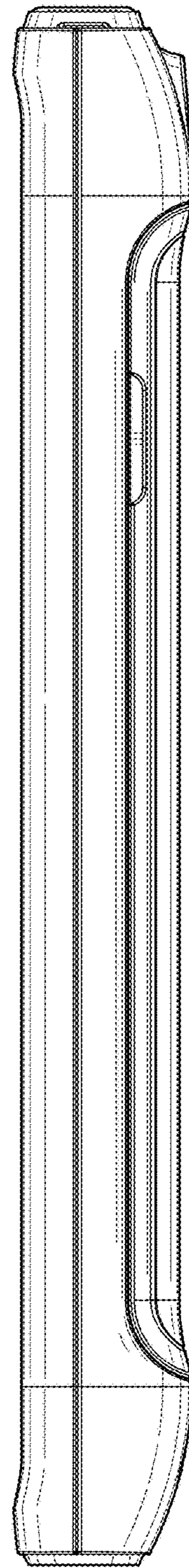


FIG. 14

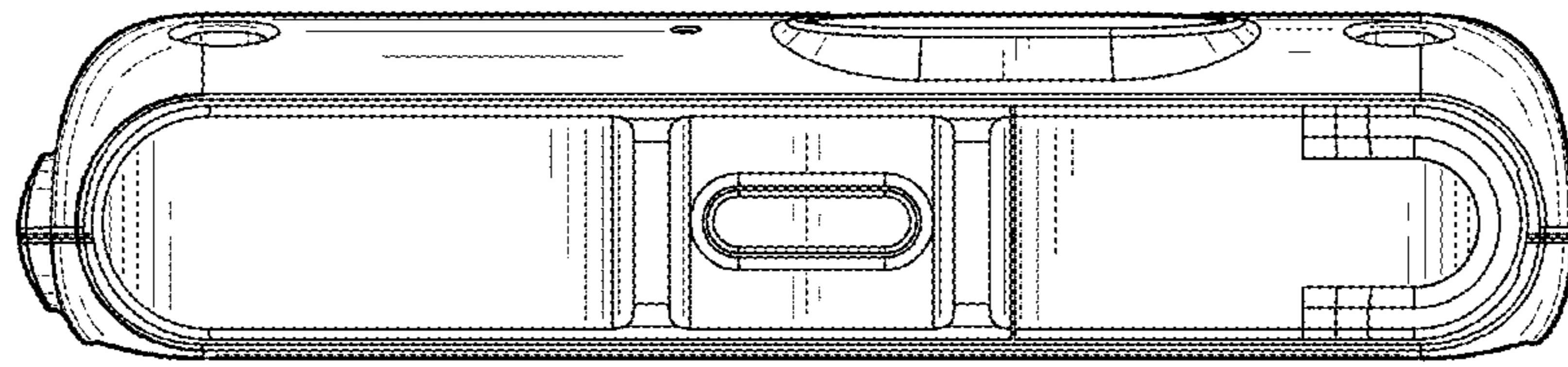


FIG. 15

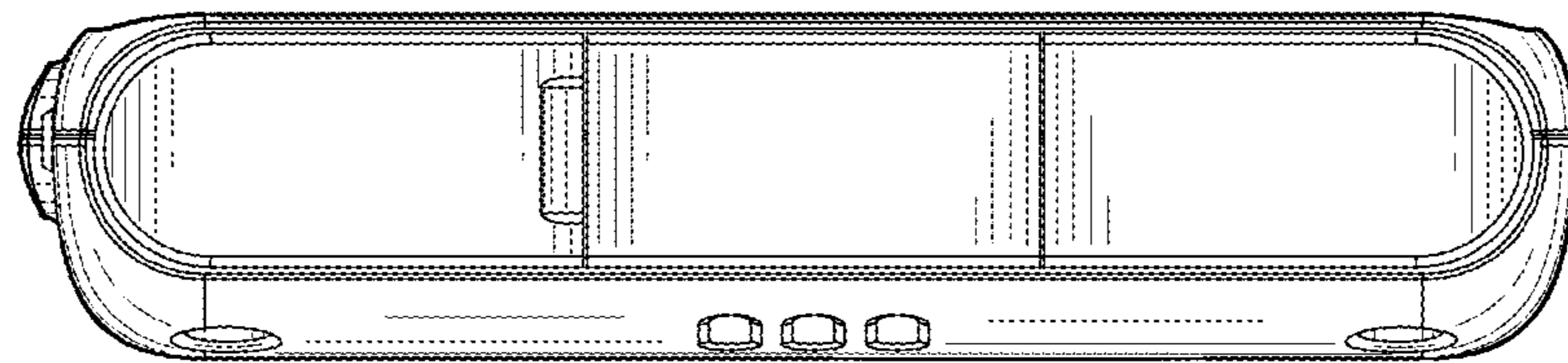


FIG. 16