



US00D785584S

(12) **United States Design Patent**
Nilsen et al.

(10) **Patent No.:** **US D785,584 S**

(45) **Date of Patent:** **** May 2, 2017**

(54) **COMMUNICATION DEVICE**

(71) Applicant: **MOTOROLA SOLUTIONS, INC.**,
Schaumburg, IL (US)

(72) Inventors: **Ryan M. Nilsen**, Pompano Beach, FL
(US); **Goktug Duman**, Plantation, FL
(US); **Simon Franklin**, Givatayim (IL);
Barbara Millet, Hollywood, FL (US);
Ban Hin Ooi, Bayan Lepas (MY);
Mark C. Palmer, Astoria, NY (US)

(73) Assignee: **MOTOROLA SOLUTIONS, INC.**,
Chicago, IL (US)

(**) Term: **15 Years**

(21) Appl. No.: **29/535,561**

(22) Filed: **Aug. 7, 2015**

(51) **LOC (10) Cl.** **14-03**

(52) **U.S. Cl.**
USPC **D14/137**

(58) **Field of Classification Search**
USPC D14/137, 138 R, 138 AA, 138 AD;
D21/516; 361/814; 455/90.2
CPC H04B 1/00; H04B 1/38; H04B 1/3805;
H04B 1/3816; H04B 1/3822; H04B
1/3827; H04B 1/3833
See application file for complete search history.

(56) **References Cited**

U.S. PATENT DOCUMENTS

D302,686 S * 8/1989 Claxton D14/137
D374,227 S * 10/1996 Williams D14/137

D432,511 S * 10/2000 Eckholm D14/138 G
D456,804 S * 5/2002 Fisher D14/324
D479,214 S * 9/2003 Bertrand D14/138 AD
D602,892 S * 10/2009 Devenish, III D14/137
D633,063 S * 2/2011 Hachiya D14/138 G
2002/0151328 A1* 10/2002 Shin G06F 1/1616
455/557

* cited by examiner

Primary Examiner — Cathron Brooks

Assistant Examiner — Aula Soroush

(57) **CLAIM**

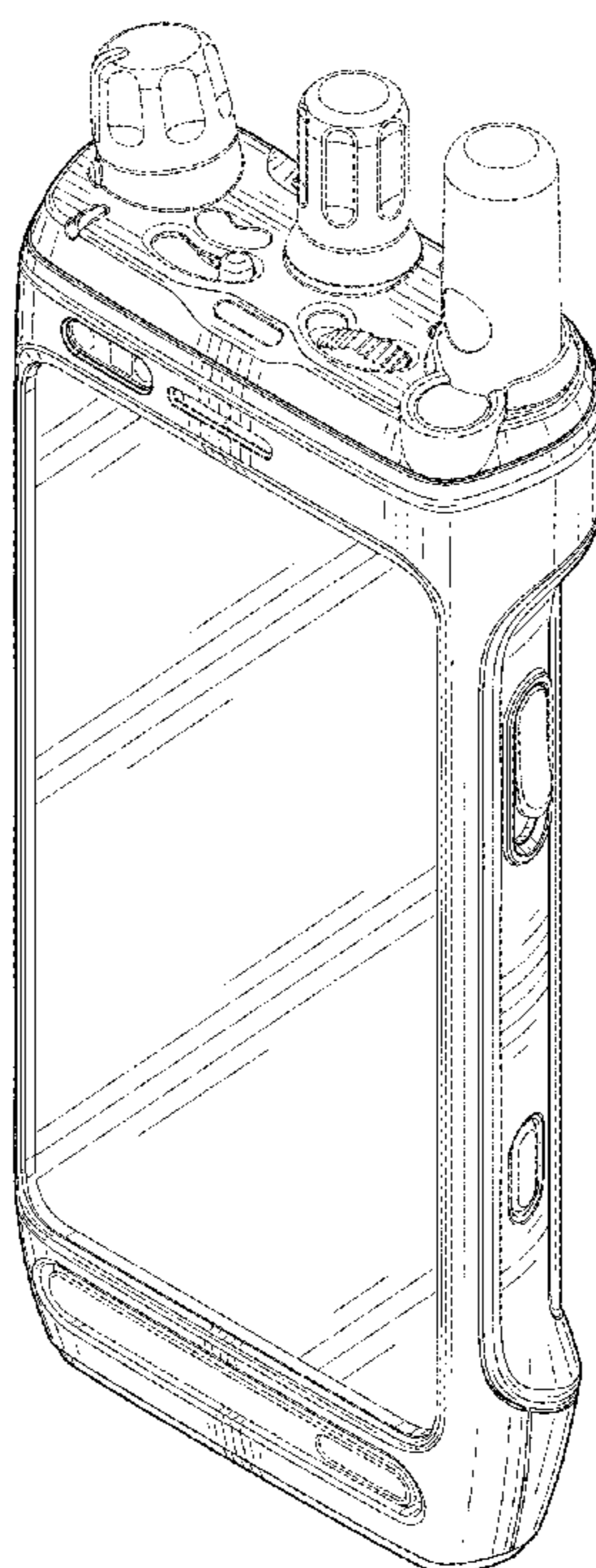
The ornamental design for a communication device, as shown and described.

DESCRIPTION

FIG. 1 is a front perspective view of a communication device showing our new design; FIG. 2 is a rear perspective view thereof; FIG. 3 is a front view thereof; FIG. 4 is a rear view thereof; FIG. 5 is a side view thereof; FIG. 6 is another side view thereof; FIG. 7 is a top plan view thereof; and, FIG. 8 is a bottom plan view thereof.

The broken lines shown in the figures that are immediately adjacent to the shaded areas and define unshaded regions represent the bounds of the claim. All other broken lines, including the features within broken line boundaries and the broken lines on the top, back and side surfaces on the knobs and button features, are directed to environment. The broken lines form no part of the claimed design.

1 Claim, 6 Drawing Sheets



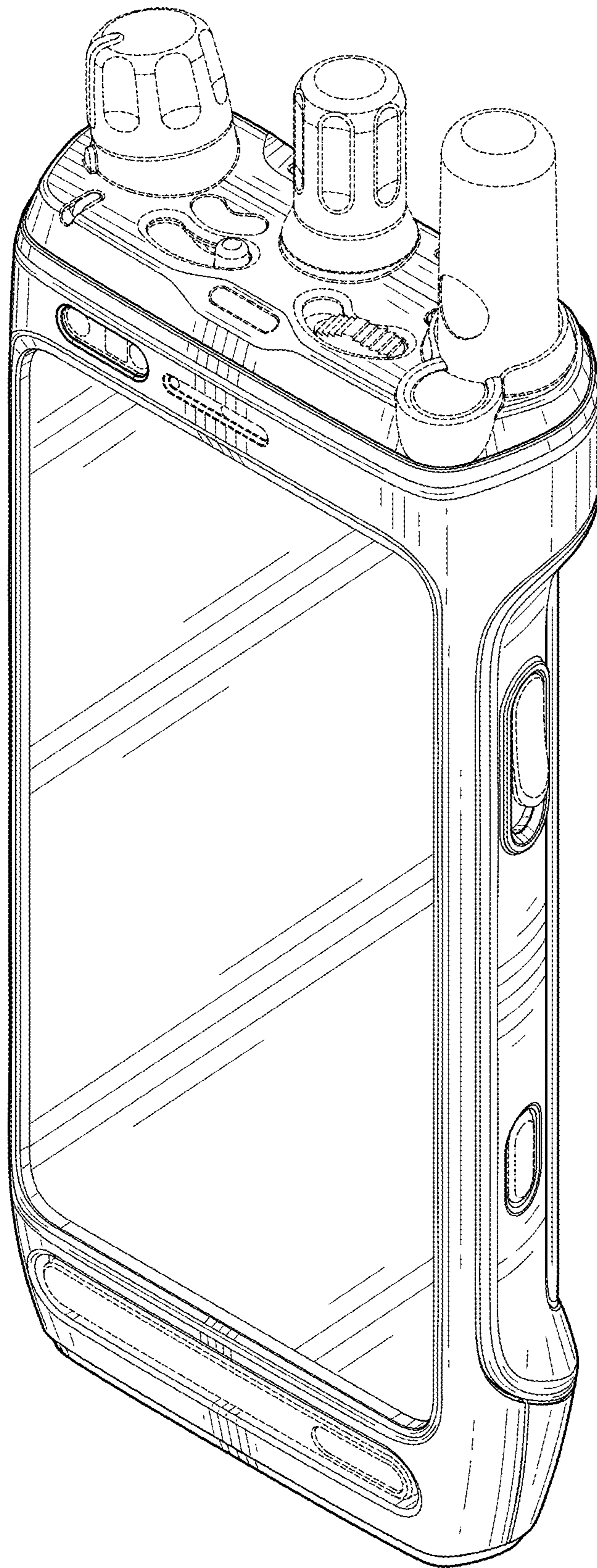


FIG. 1

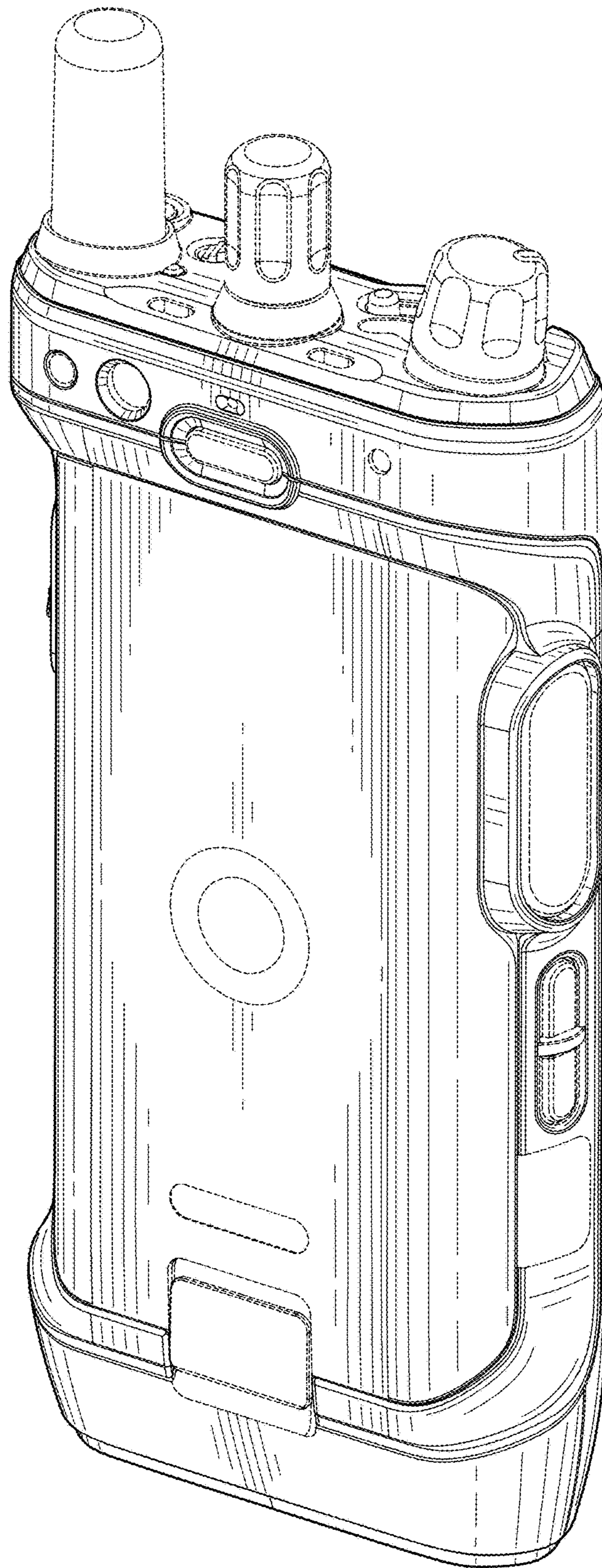


FIG. 2

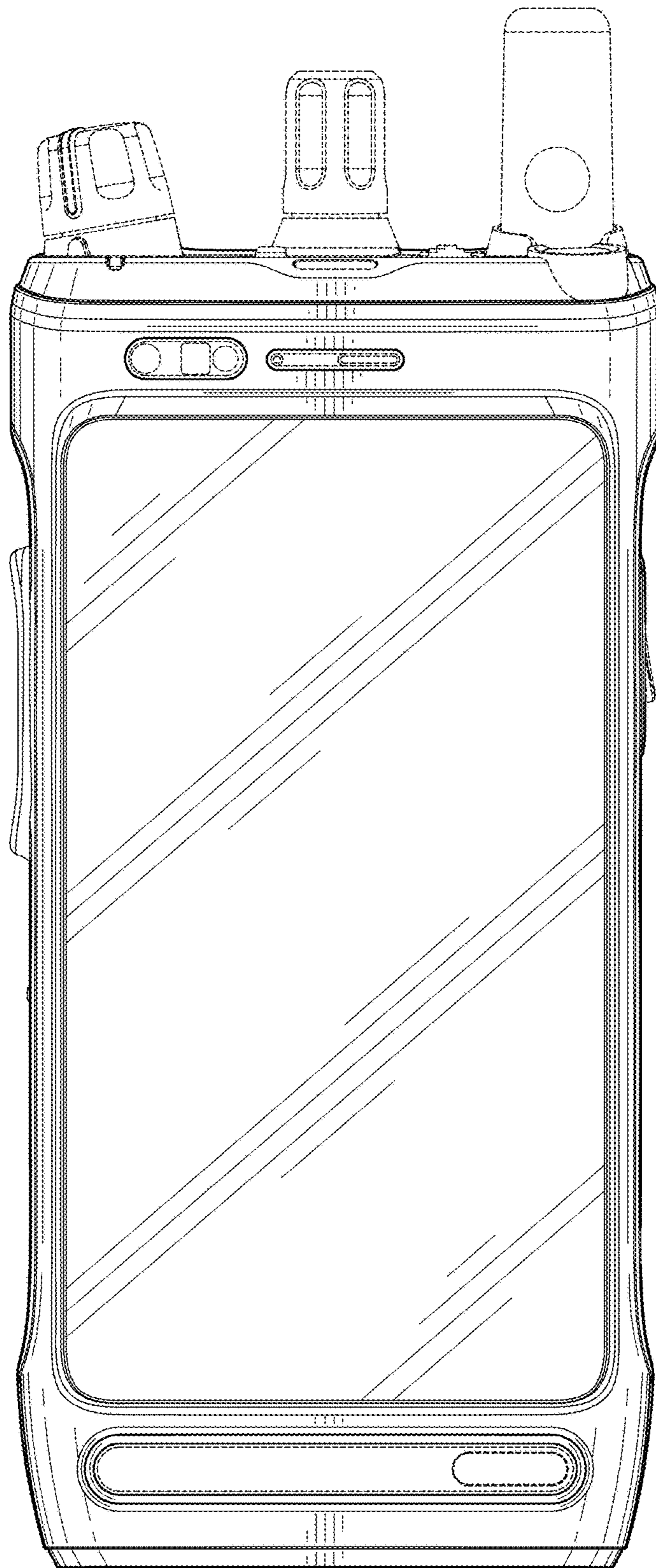


FIG. 3

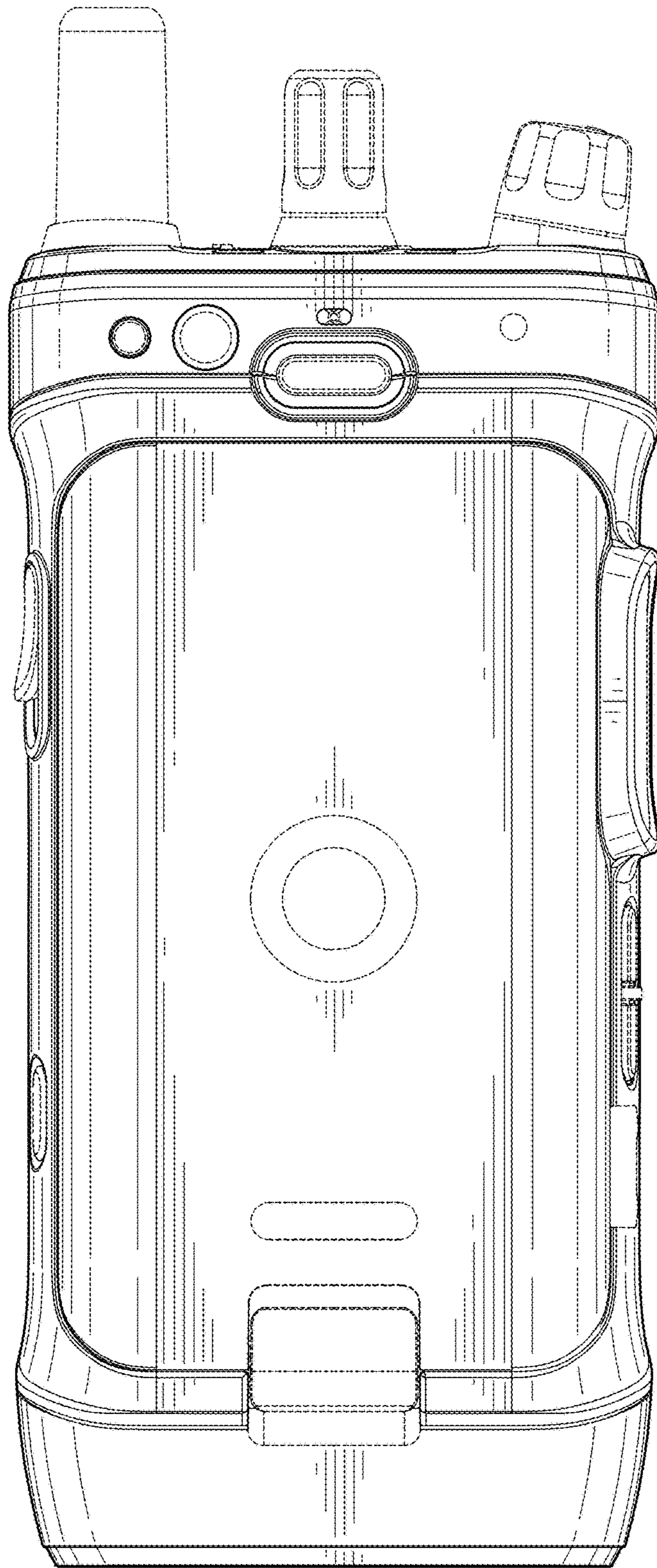


FIG. 4

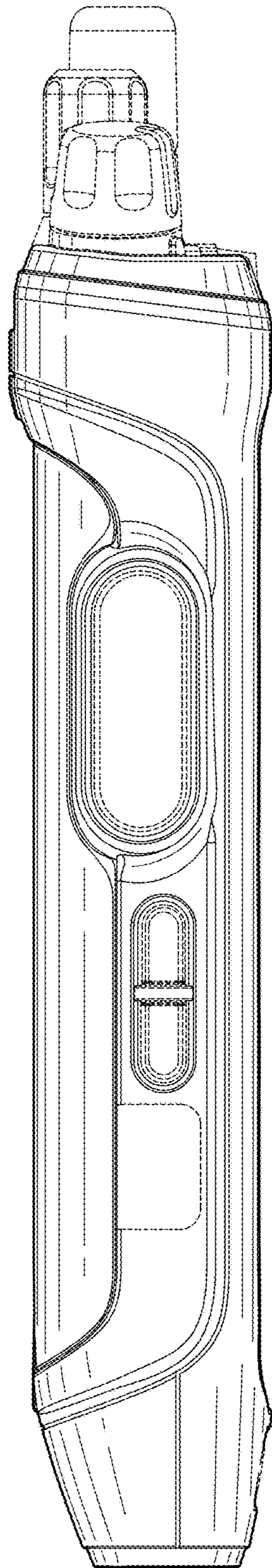


FIG. 5

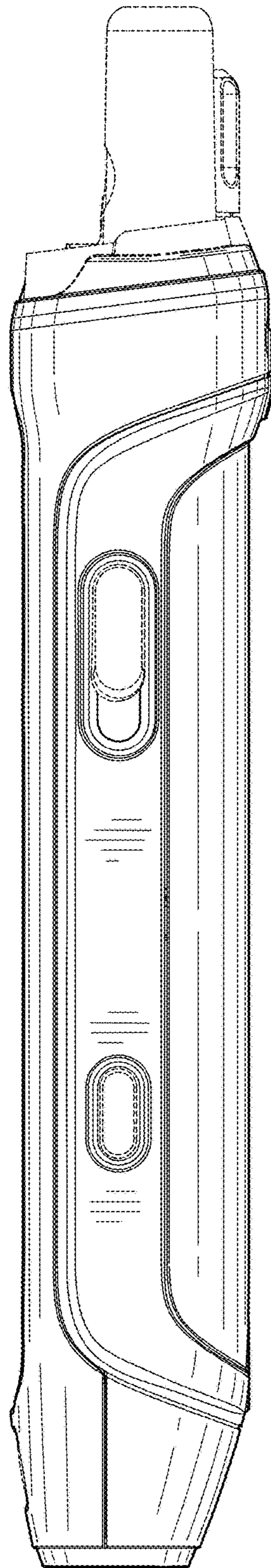


FIG. 6

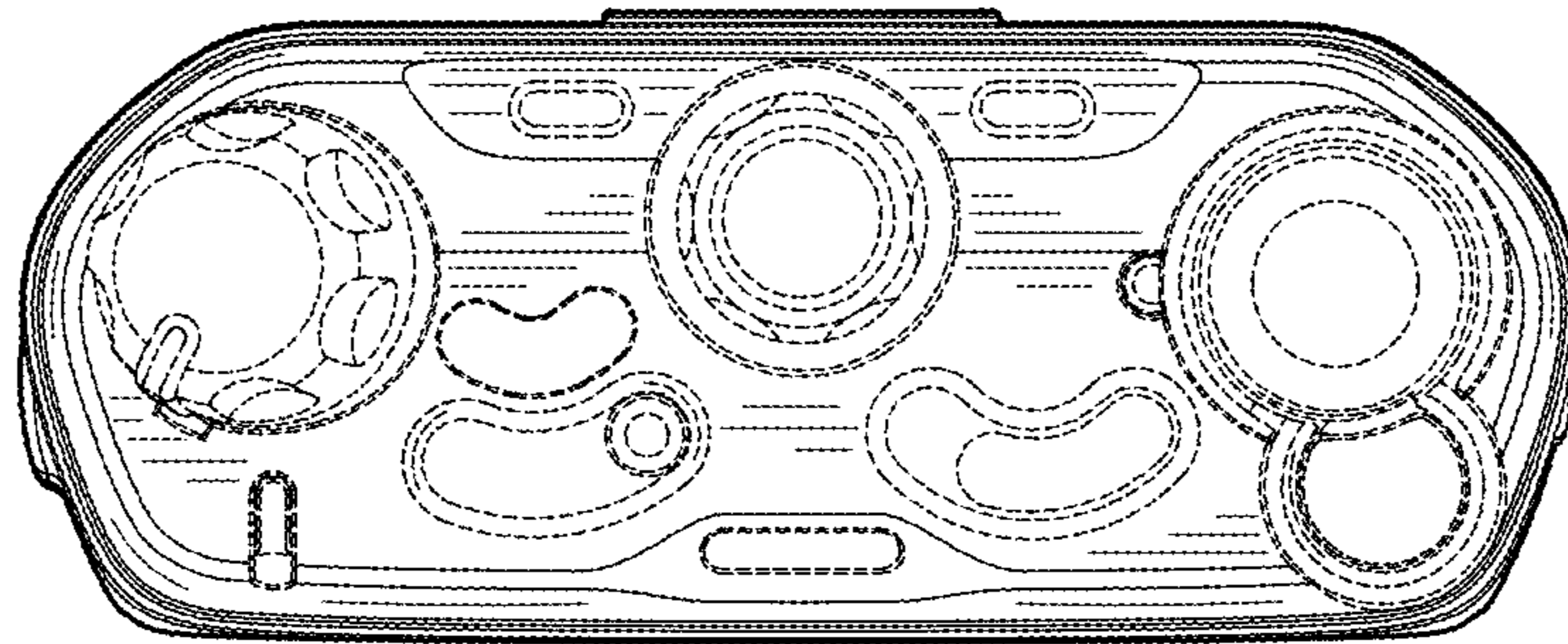


FIG. 7

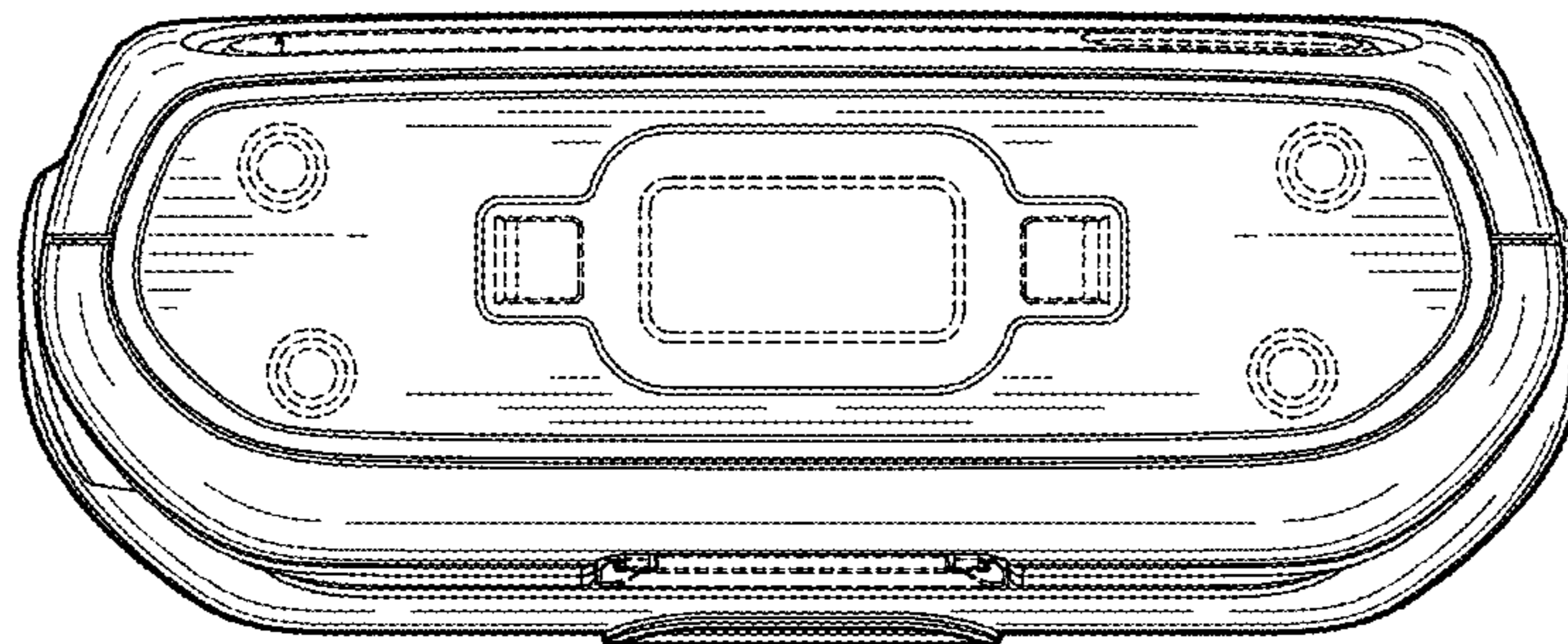


FIG. 8