



US00D785580S

(12) **United States Design Patent** (10) **Patent No.:** **US D785,580 S**
Yu (45) **Date of Patent:** **** May 2, 2017**

(54) **SET-TOP BOX**

D666,163 S * 8/2012 Hsu D14/125
D742,492 S * 11/2015 Robinson D23/360

(71) Applicant: **TV PRO INC.**, Orange Beach, AL
(US)

* cited by examiner

(72) Inventor: **Bichun Yu**, ShenZhen (CN)

Primary Examiner — Randall Gholson

(**) Term: **15 Years**

(57) **CLAIM**

(21) Appl. No.: **29/558,889**

The ornamental design for a set-top box, as shown and described.

(22) Filed: **Mar. 22, 2016**

DESCRIPTION

Related U.S. Application Data

(62) Division of application No. 14/245,687, filed on Apr. 4, 2014, now abandoned.

(51) **LOC (10) Cl.** **14-03**

(52) **U.S. Cl.**
USPC **D14/125**

(58) **Field of Classification Search**
USPC D14/125, 357-358, 496, 188, 242, 432;
D13/184; 348/10, 460, 706, 731;
340/825.03; 455/6.1, 6.2; 312/223.1, 7.2
CPC H04N 7/00; H04D 10/70
See application file for complete search history.

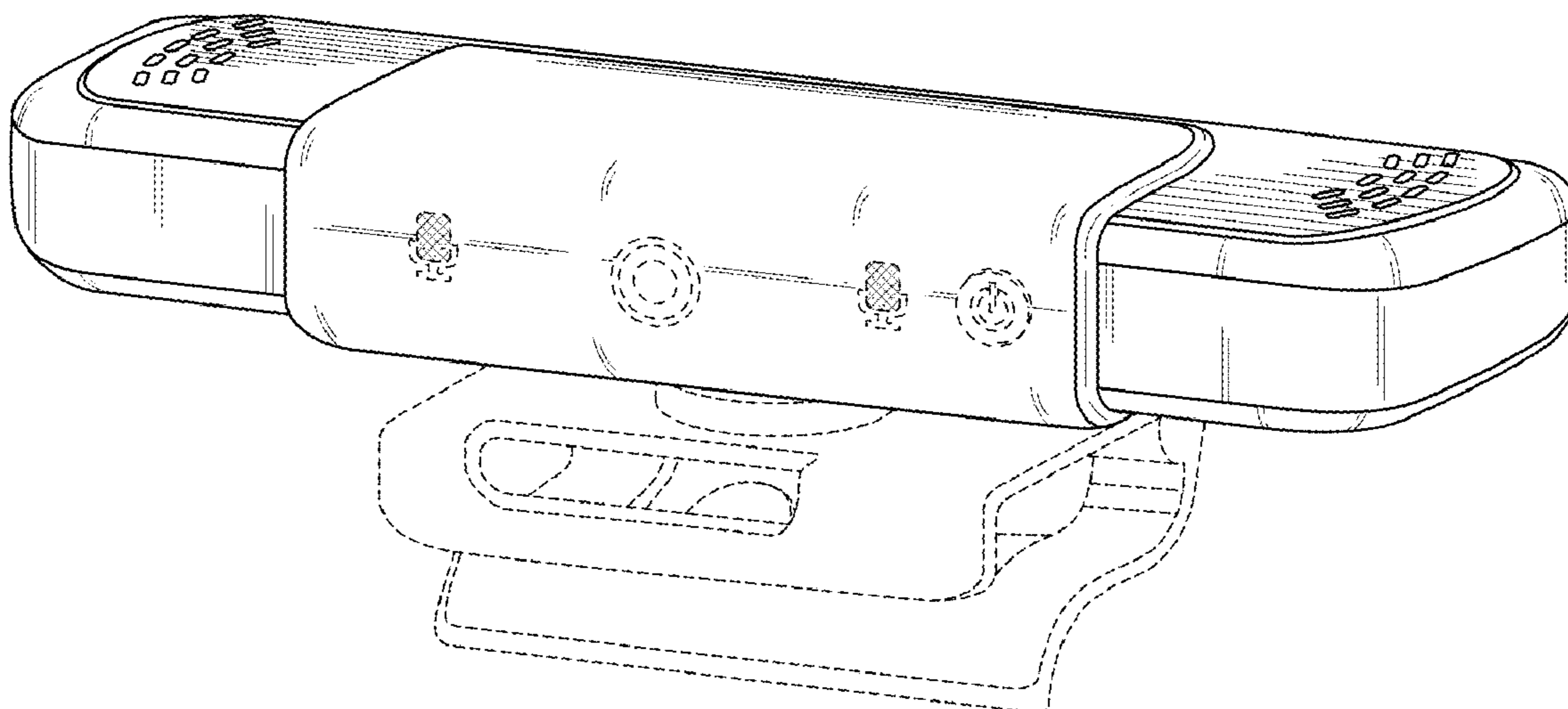
FIG. 1 is a perspective front view showing my new design of a set-top box;
FIG. 2 is a perspective rear view of the set-top box of FIG. 1;
FIG. 3 is a left side elevational view of the set-top box of FIG. 1;
FIG. 4 is a right side elevational view of the set-top box of FIG. 1;
FIG. 5 is a front elevation view of the set-top box of FIG. 1;
FIG. 6 is a rear elevation view of the set-top box of FIG. 1;
FIG. 7 is a bottom plan view of the set-top box of FIG. 1;
and,
FIG. 8 is a top plan view of the set-top box of FIG. 1.
The broken lines in FIGS. 1 thru 8 of a mounting bracket, A/V and network input and output ports, and power button(s) are for the purpose of illustrating unclaimed environment of the design, are for illustrative purposes only, and form no part of the claimed design.

(56) **References Cited**

U.S. PATENT DOCUMENTS

D592,619 S * 5/2009 Woo D14/125

1 Claim, 2 Drawing Sheets



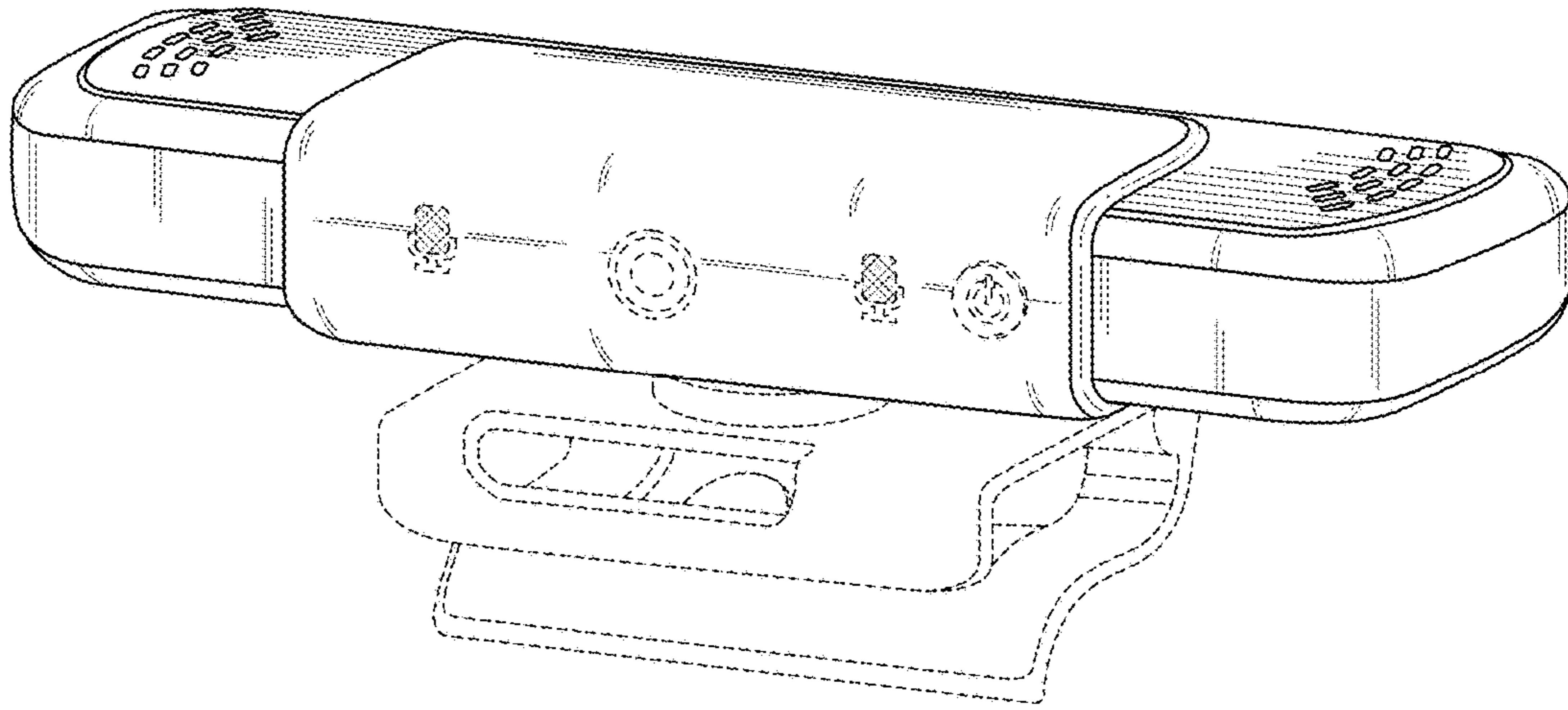


FIG. 1

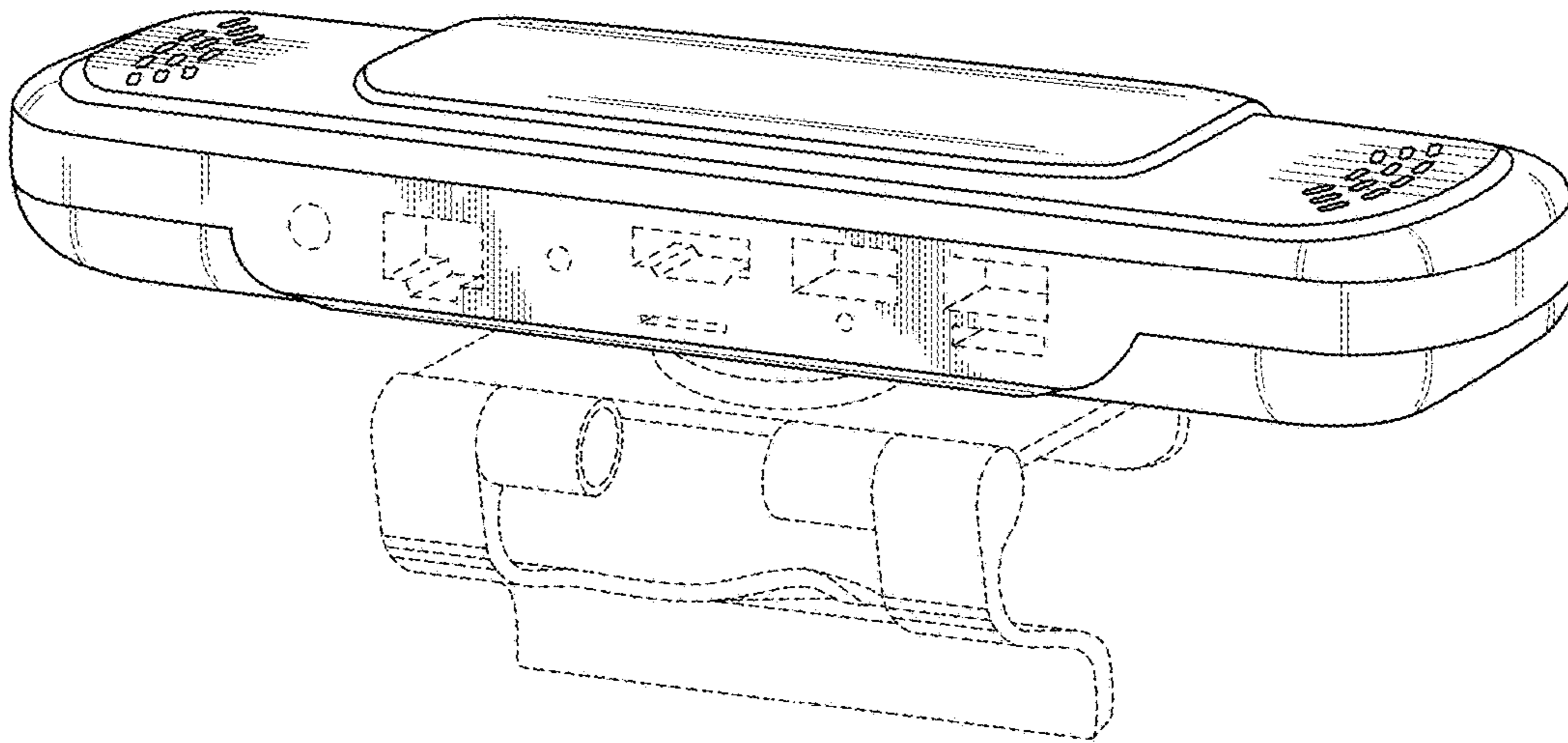


FIG. 2

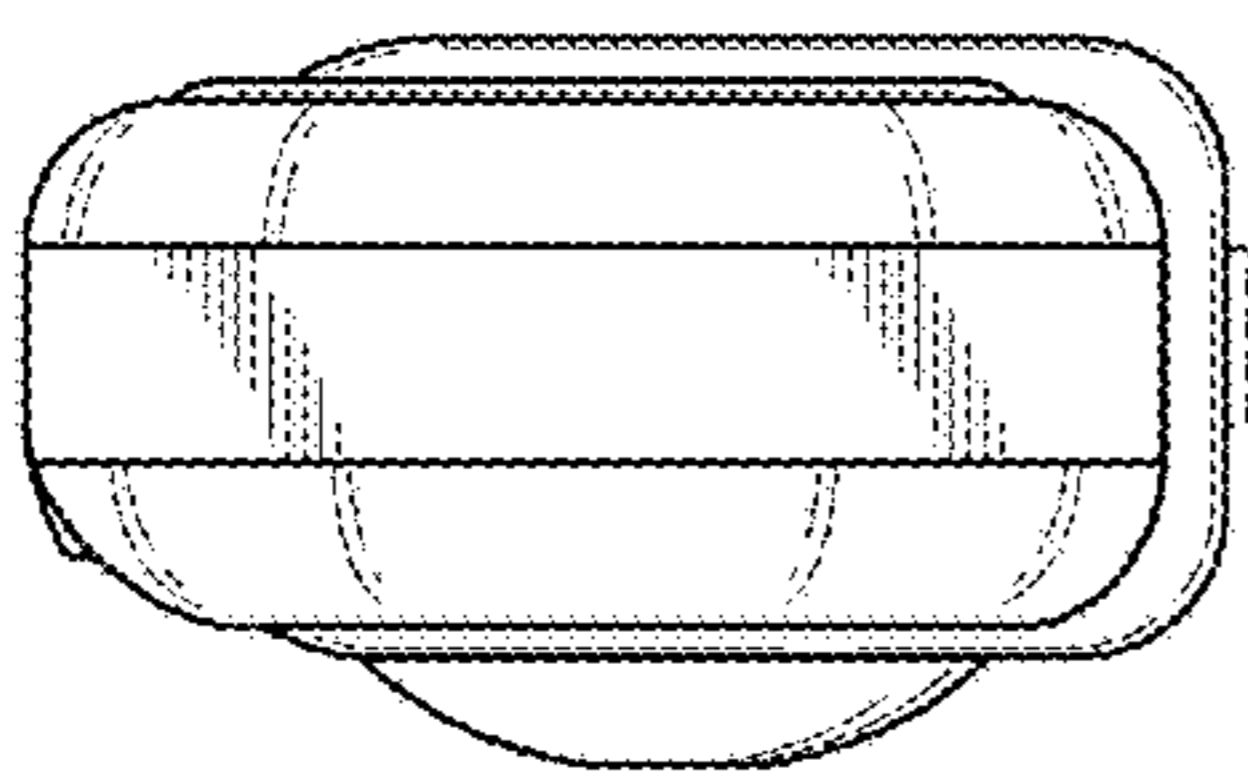


FIG. 3

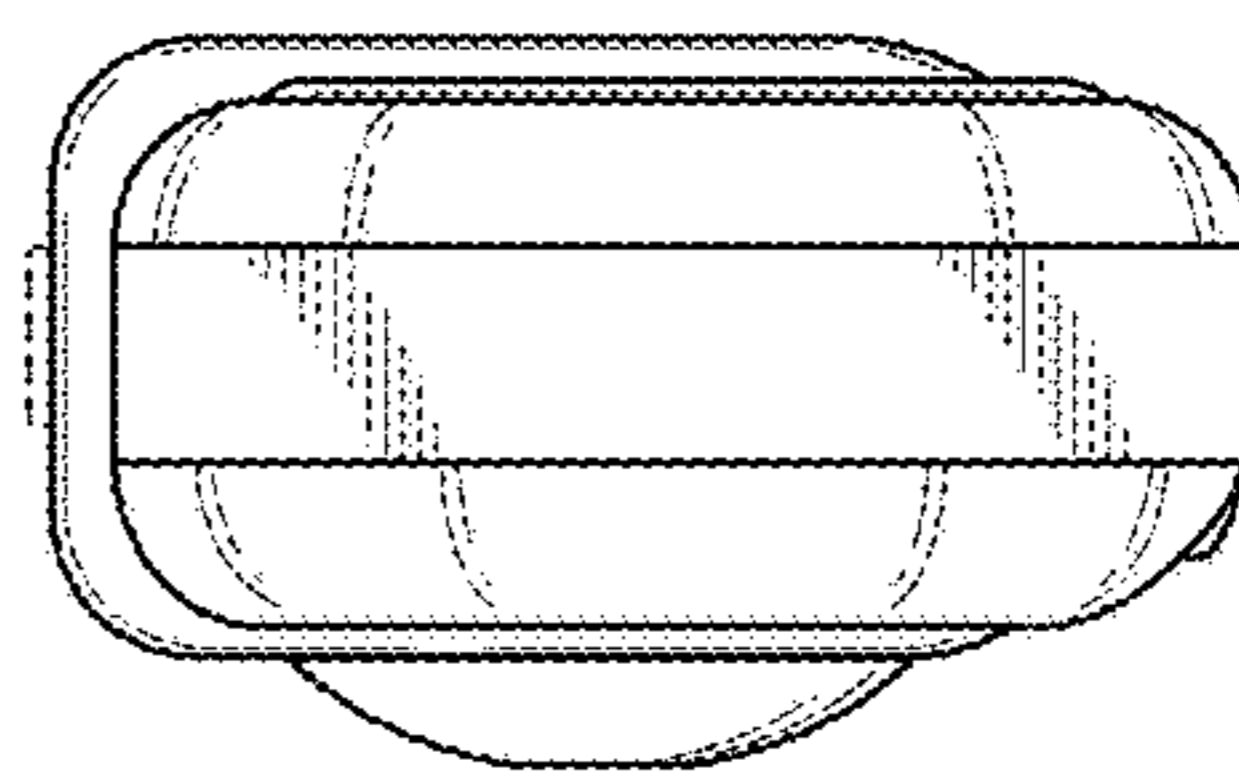


FIG. 4

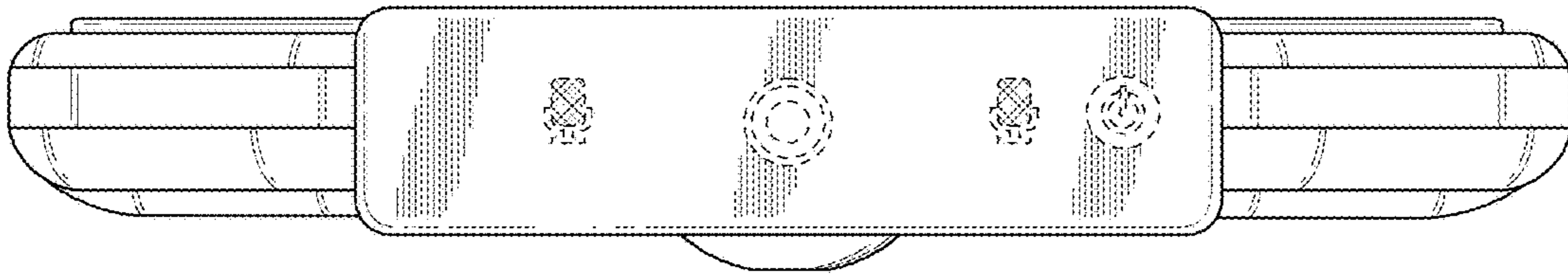


FIG. 5

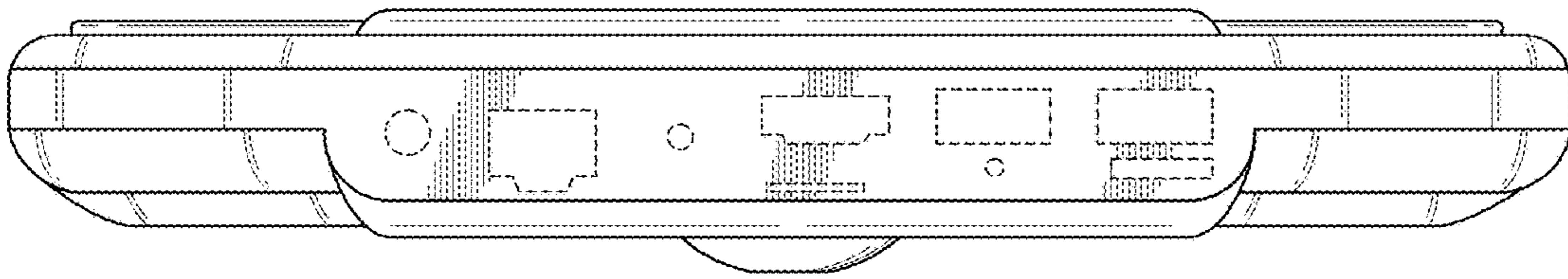


FIG. 6

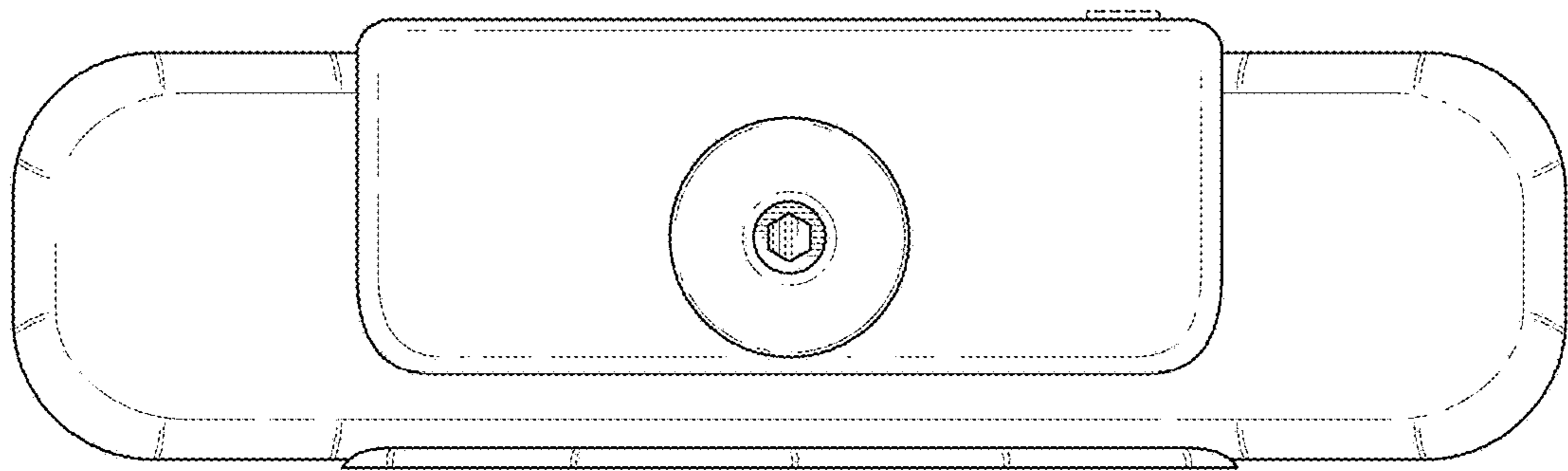


FIG. 7

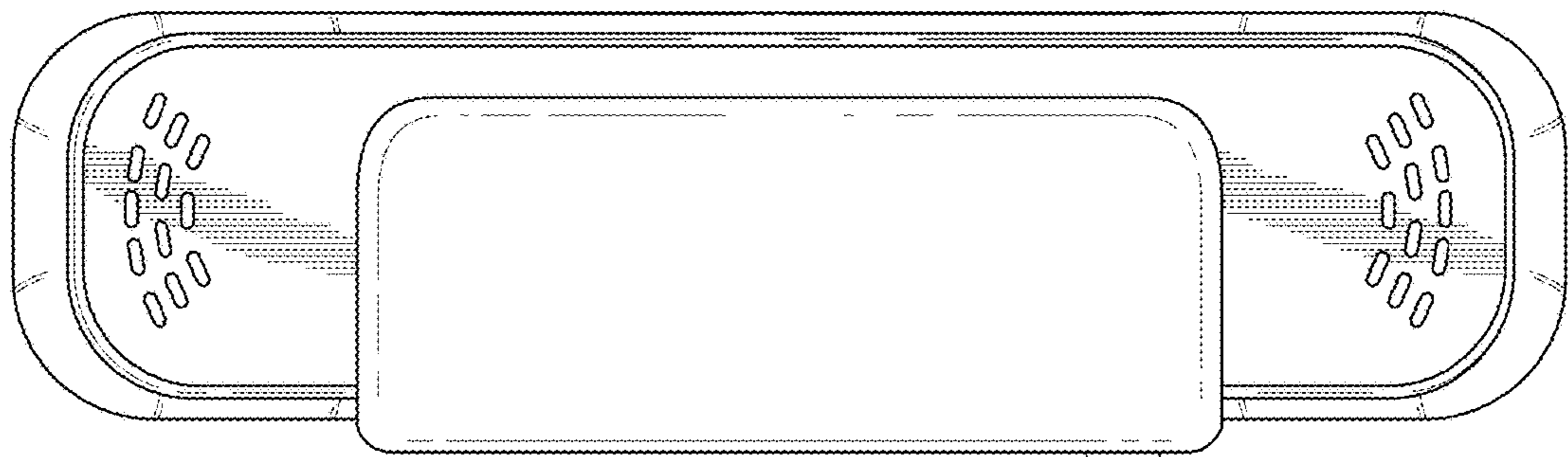


FIG. 8