



US00D785574S

(12) **United States Design Patent** (10) **Patent No.:** **US D785,574 S**
Wu (45) **Date of Patent:** **** May 2, 2017**

(54) **ELECTRIC CONTROLLER**
(71) Applicant: **TIMOTION TECHNOLOGY CO., LTD.**, New Taipei (TW)
(72) Inventor: **Chou-Hsin Wu**, New Taipei (TW)
(73) Assignee: **TIMOTION TECHNOLOGY CO., LTD.**, New Taipei (TW)
(**) Term: **15 Years**
(21) Appl. No.: **29/551,761**
(22) Filed: **Jan. 15, 2016**
(51) **LOC (10) Cl.** **13-03**
(52) **U.S. Cl.**
USPC **D13/162**
(58) **Field of Classification Search**
USPC D13/110, 123, 147, 162, 162.1, 164, 184
CPC A47C 7/506; H01R 13/514; H01R 13/639;
H05K 5/00; H05K 5/0021; H05K 5/0026;
H05K 5/03; H05K 5/04; H05K 5/06;
H05K 7/1462; H05K 7/1472
See application file for complete search history.

7,619,898 B2 * 11/2009 Jensen H05K 5/0021
361/715
D689,825 S * 9/2013 Wenji D13/162
D740,763 S * 10/2015 Wenji D13/162
D763,201 S * 8/2016 Burkell D13/162
2010/0178793 A1 * 7/2010 Wu H01R 13/639
439/374

* cited by examiner

Primary Examiner — Selina Sikder
(74) *Attorney, Agent, or Firm* — Chun-Ming Shih; HDLS IPR Services

(57) **CLAIM**

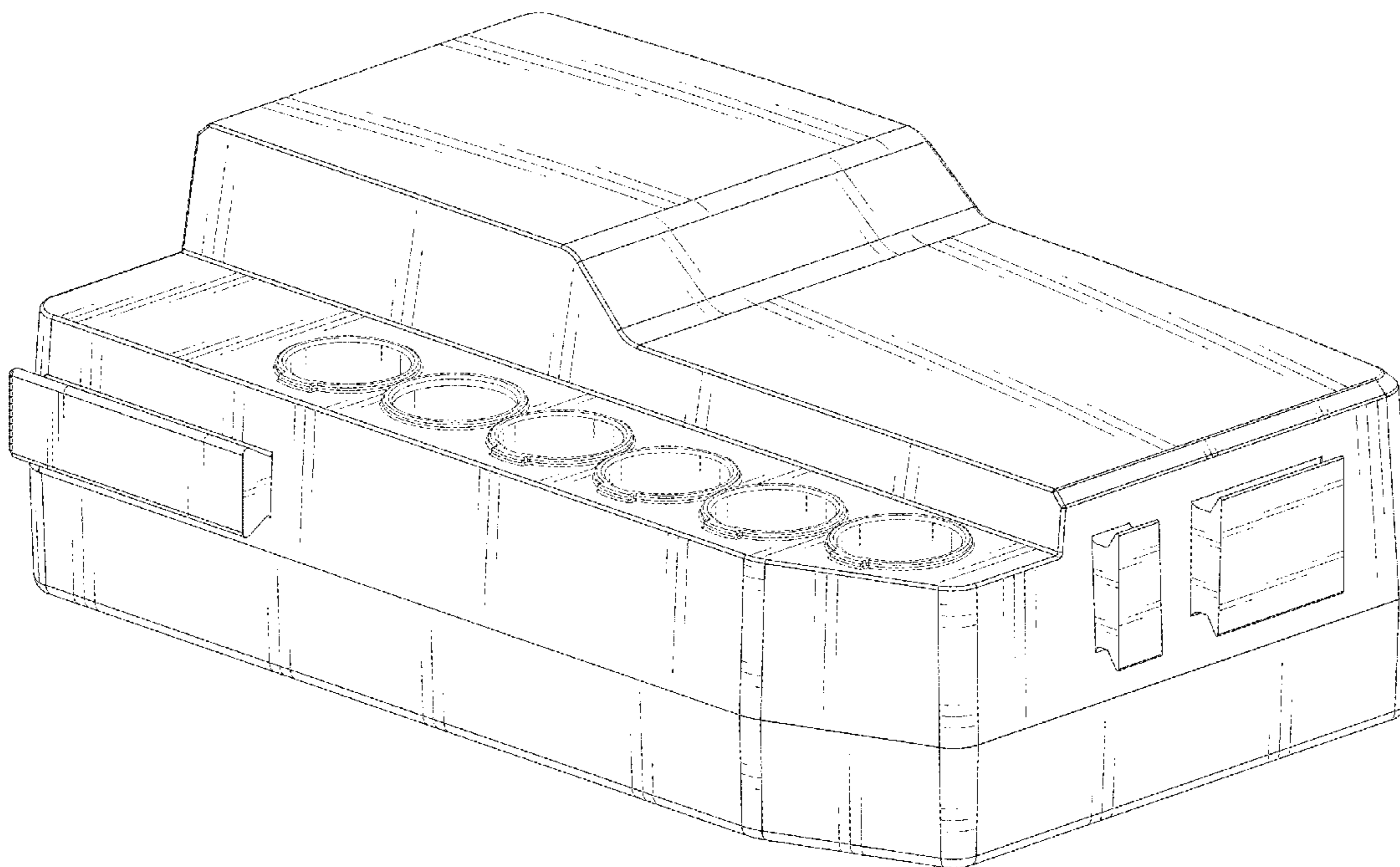
The ornamental design for an electric controller, as shown and described.

DESCRIPTION

FIG. 1 is a perspective view of an electric controller showing my new design;
FIG. 2 is a front view thereof;
FIG. 3 is a rear view thereof;
FIG. 4 is a left side view thereof;
FIG. 5 is a right side view thereof;
FIG. 6 is a top view thereof;
FIG. 7 is a bottom view thereof; and
FIG. 8 is second perspective view showing the electric controller; and,
FIG. 9 is a perspective view showing the electric controller in use.
The broken line showing of the cover in FIG. 9 is for illustrative purposes only forms no part of the claimed design.

(56) **References Cited**
U.S. PATENT DOCUMENTS
D215,158 S * 9/1969 Ozaki D13/164
D319,425 S * 8/1991 Bibbiani D13/123
D358,365 S * 5/1995 Rodeffer D13/110
D431,535 S * 10/2000 Kubis D13/164
D571,736 S * 6/2008 Copeland A61M 37/0076
D13/110

1 Claim, 9 Drawing Sheets



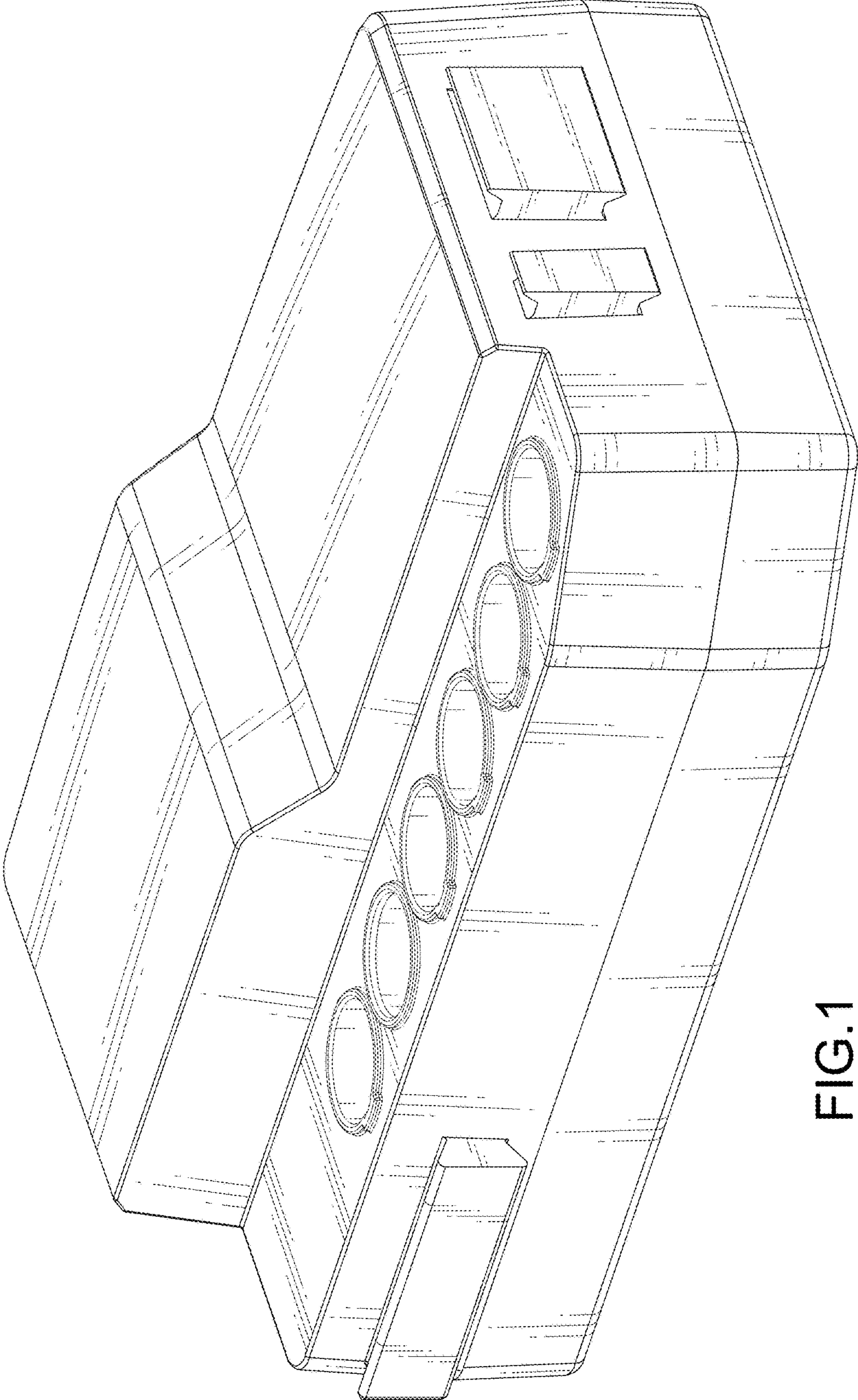


FIG.1

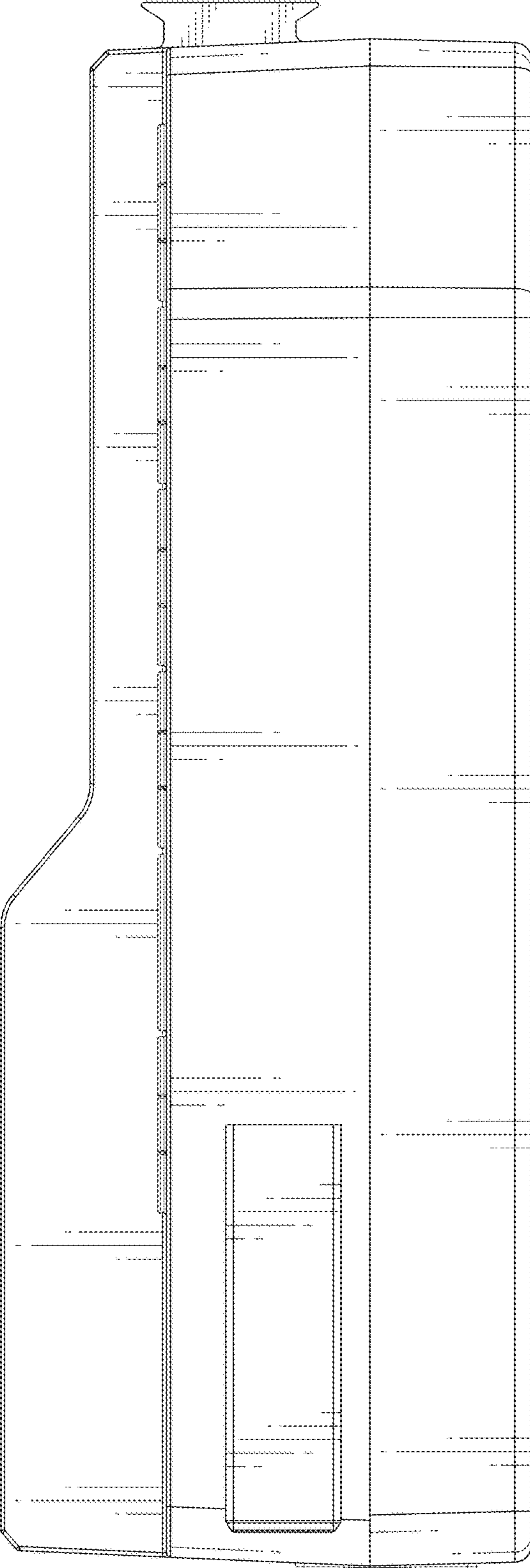


FIG.2

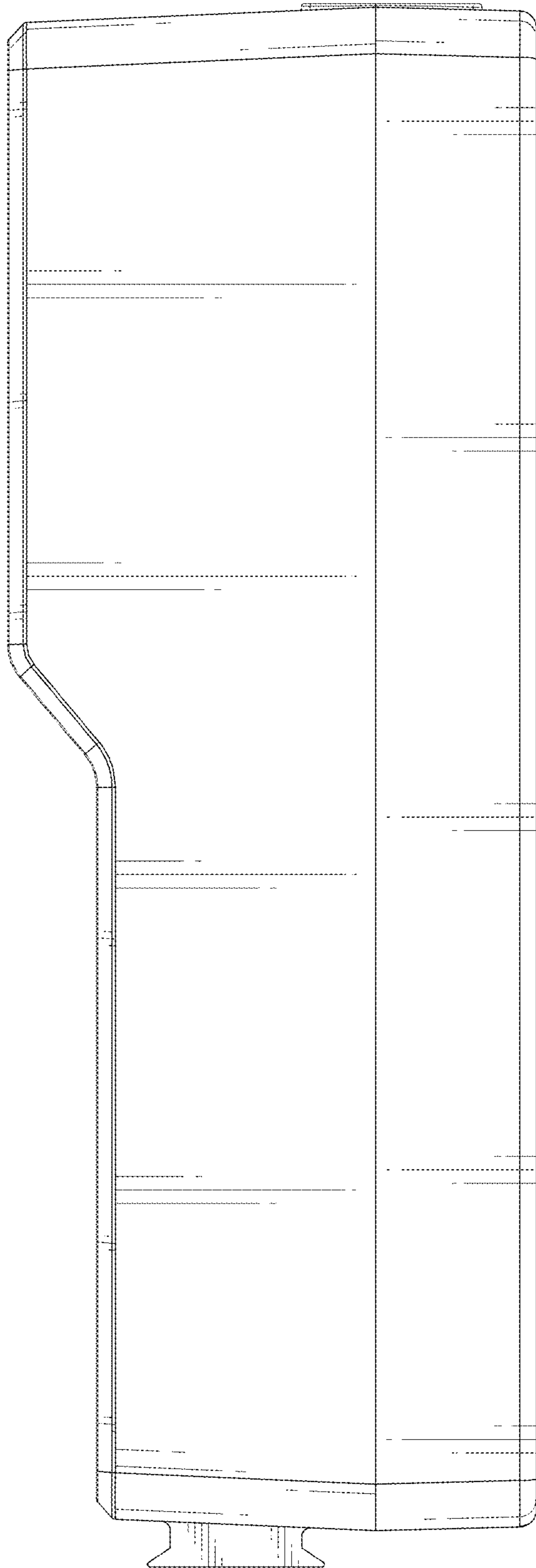


FIG.3

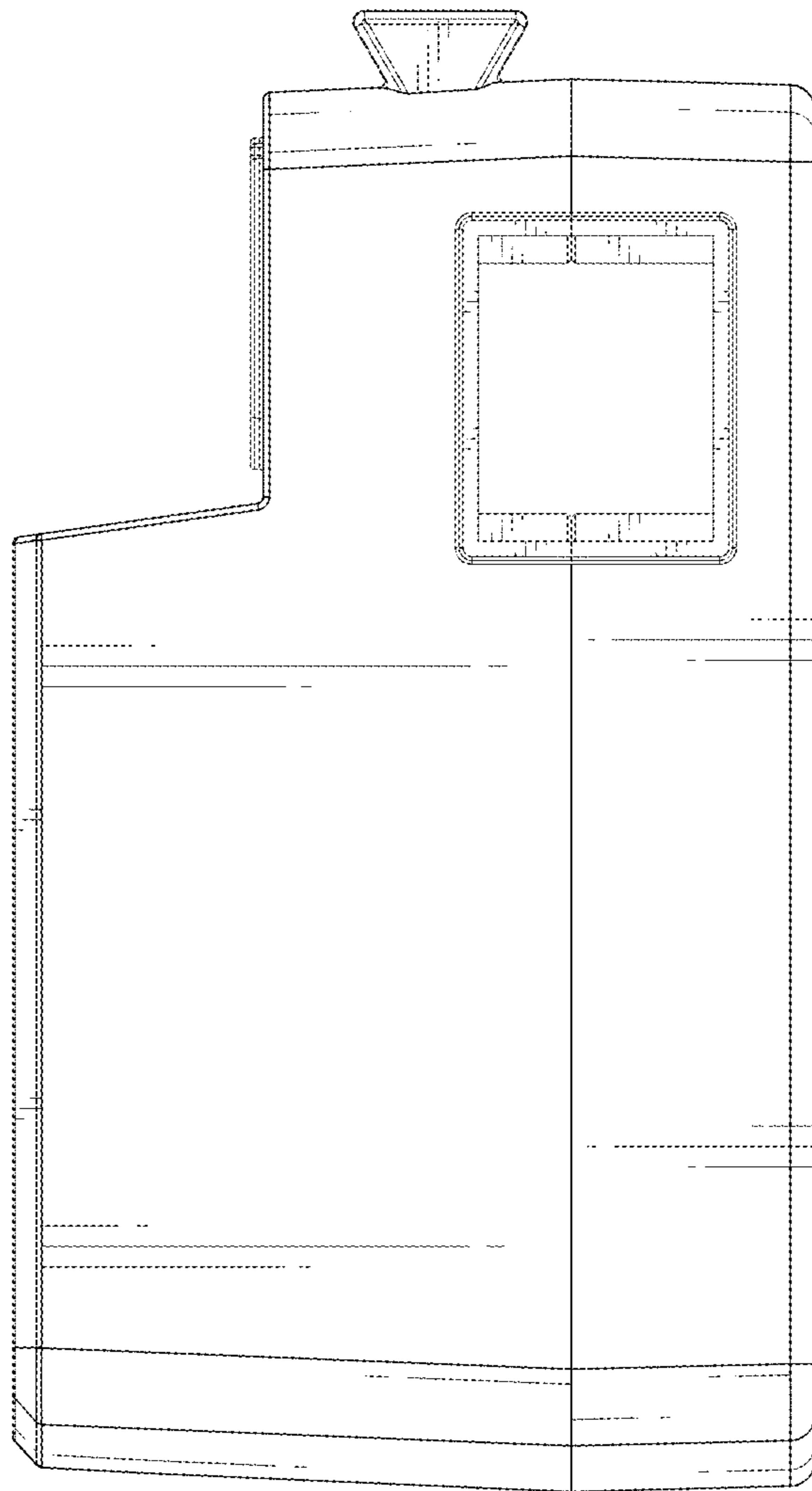


FIG.4

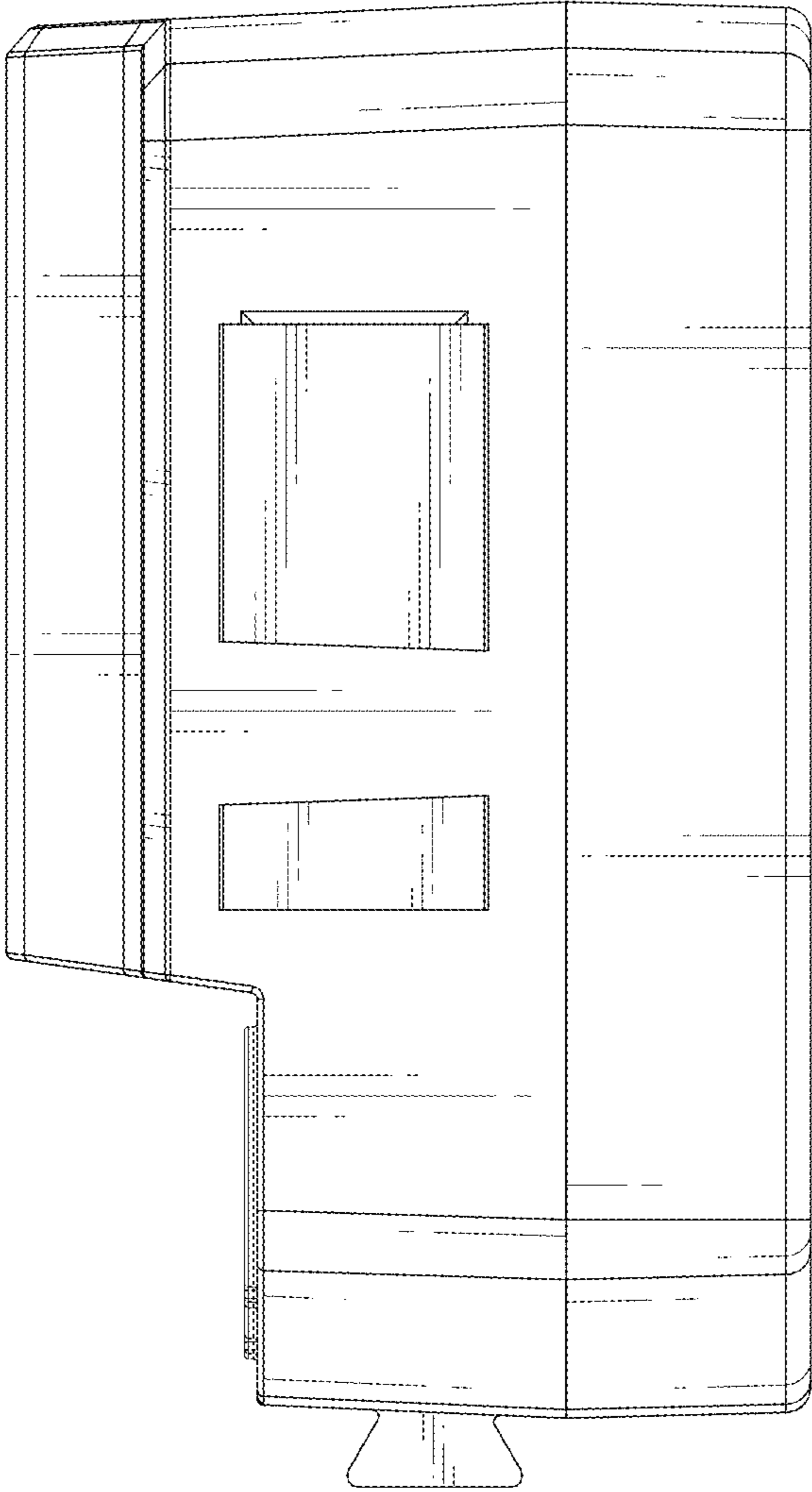


FIG.5

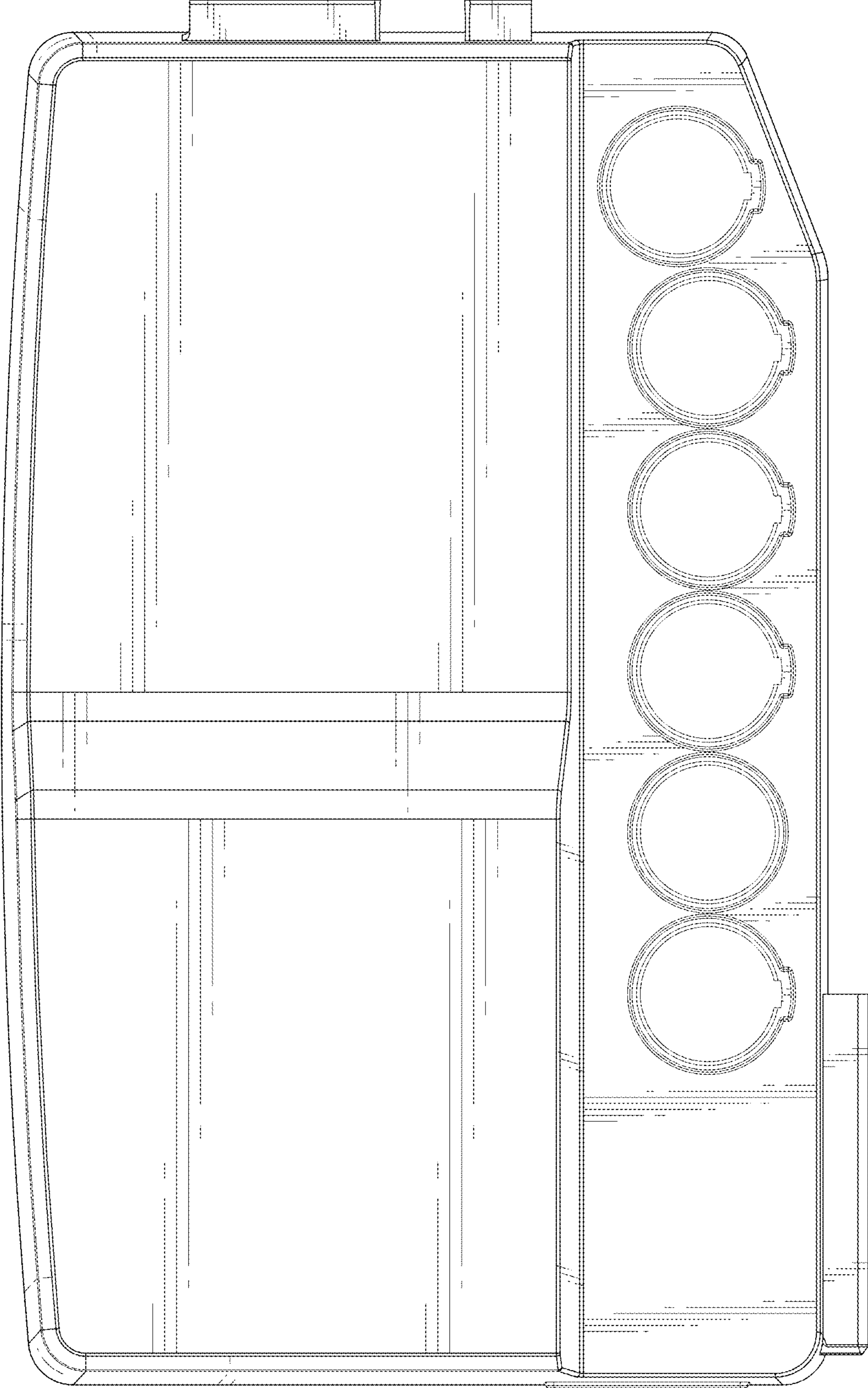


FIG.6

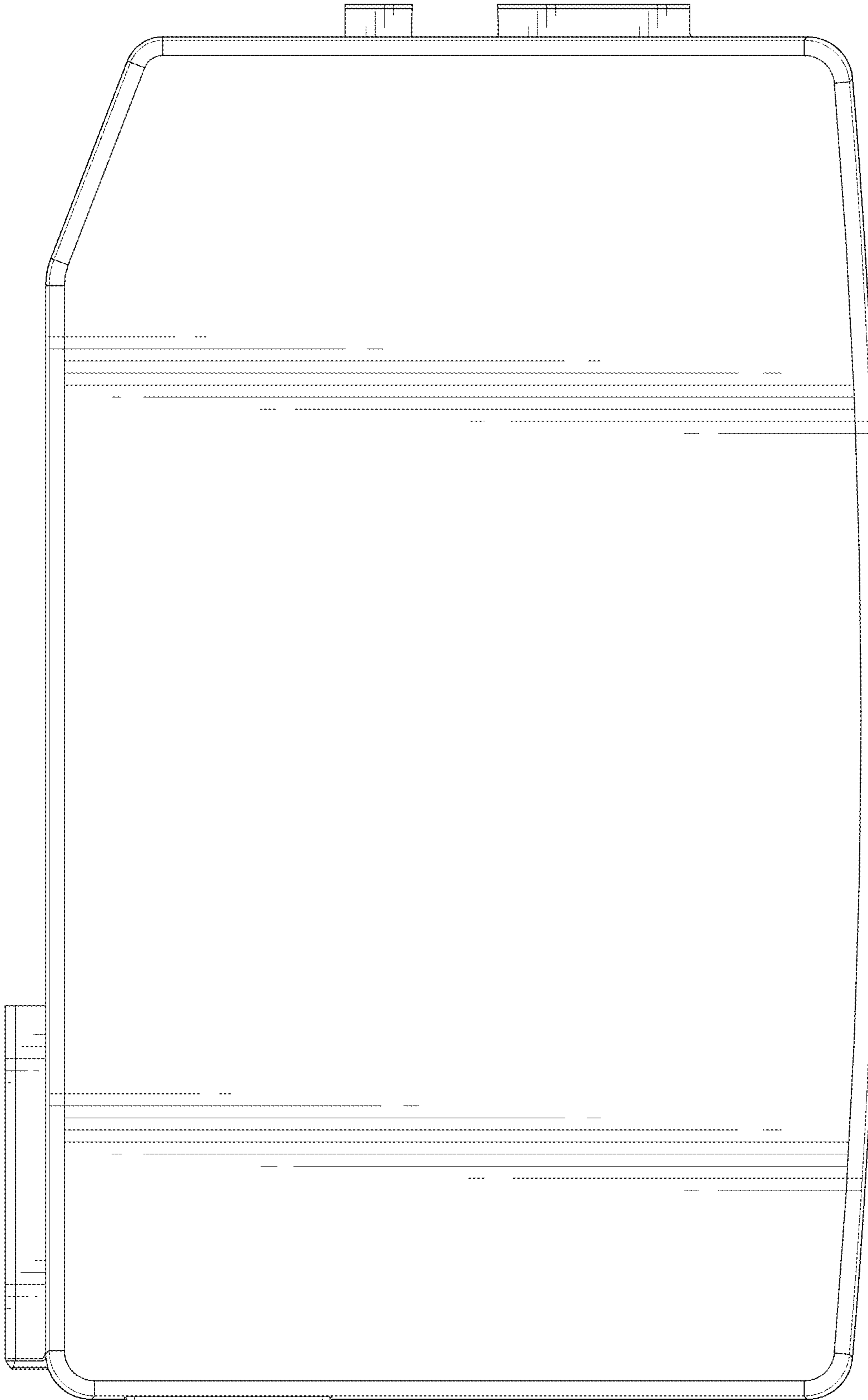


FIG.7

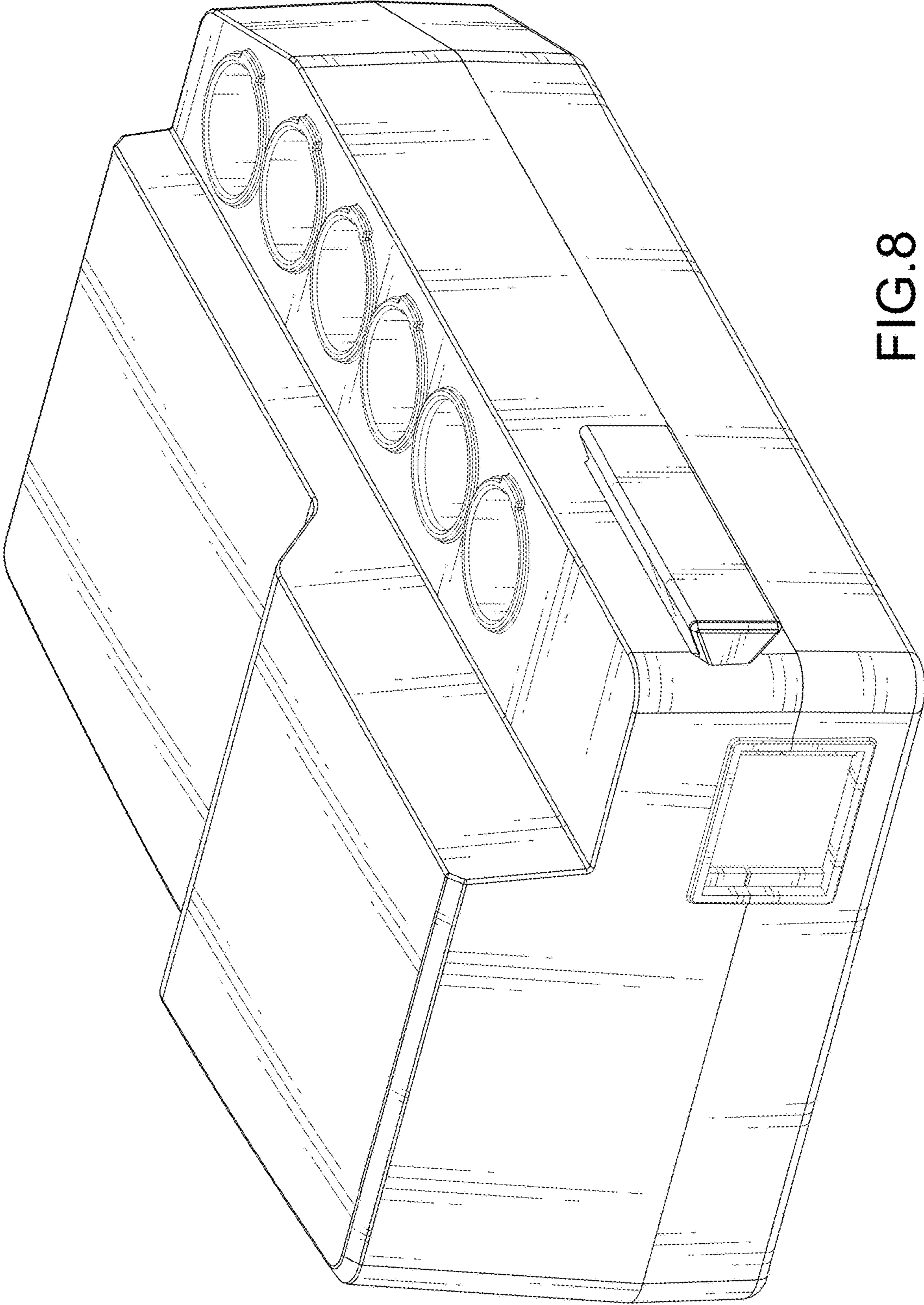


FIG.8

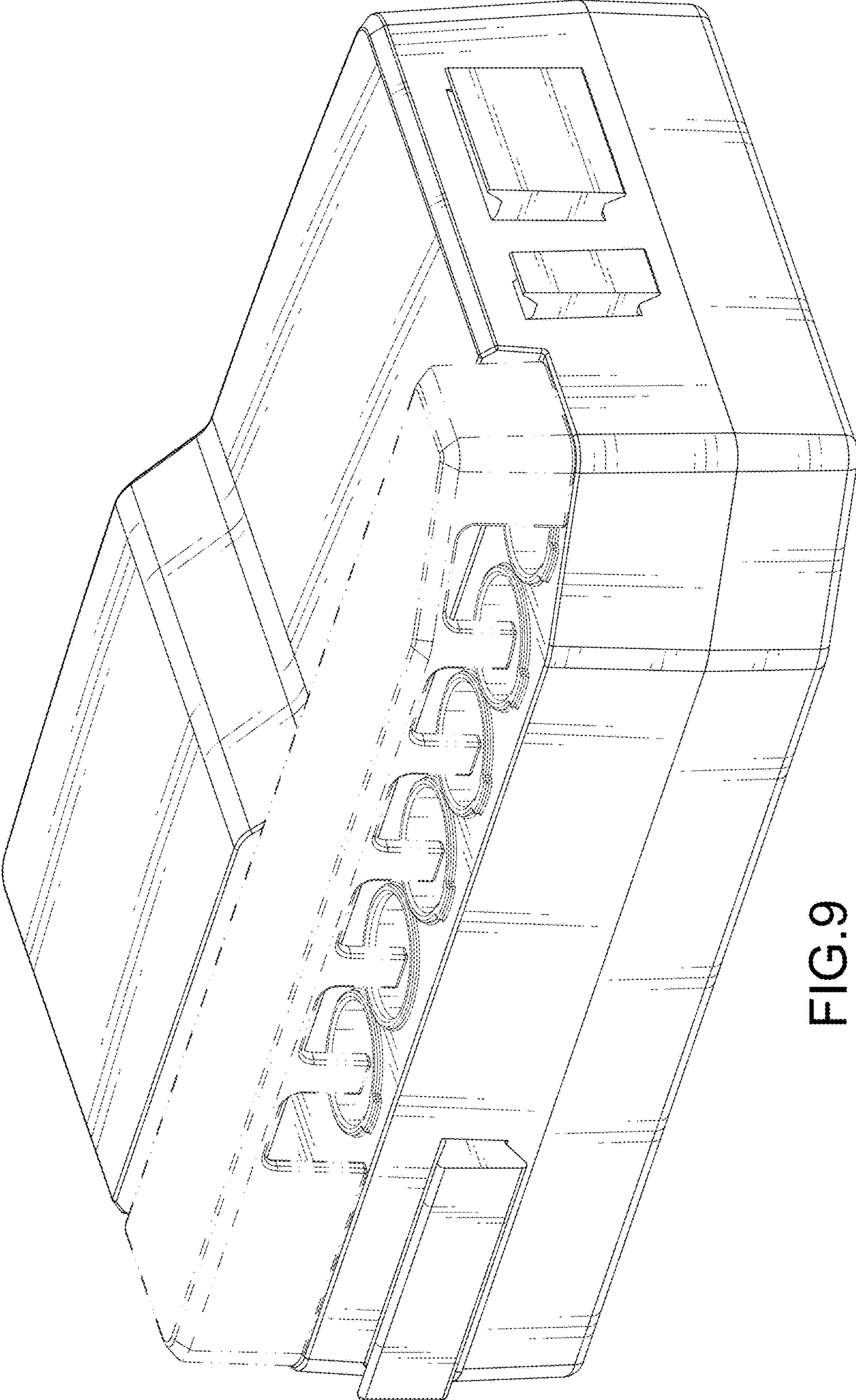


FIG.9