



US00D785573S

(12) **United States Design Patent** (10) **Patent No.:** **US D785,573 S**  
**Yu** (45) **Date of Patent:** **\*\* May 2, 2017**

(54) **CONTROLLER**

(71) Applicant: **NINGBO YINZHOU SELF PHOTOELECTRON TECHNOLOGY CO., LTD.**, Ningbo, Zhejiang Province (CN)

(72) Inventor: **Feng Yu**, Ningbo (CN)

(73) Assignee: **NINGBO YINZHOU SELF PHOTOELECTRON TECHNOLOGY CO., LTD.**, Zhejiang Province (CN)

(\*\*) Term: **15 Years**

(21) Appl. No.: **29/551,540**

(22) Filed: **Jan. 14, 2016**

(30) **Foreign Application Priority Data**

Oct. 12, 2015 (CN) ..... 2015 3 0393377

(51) **LOC (10) Cl.** ..... **13-03**

(52) **U.S. Cl.**  
USPC ..... **D13/162**

(58) **Field of Classification Search**  
USPC ..... D13/158, 162, 168, 184  
CPC .... H05B 37/00; H05B 37/02; H05B 37/0218; H05B 37/0272; H01H 21/02; H01H 21/04; H01H 21/12; H02G 3/14  
See application file for complete search history.

(56) **References Cited**

**U.S. PATENT DOCUMENTS**

D352,025 S \* 11/1994 Dellavecchia ..... D13/164  
6,849,968 B2 \* 2/2005 Park ..... H01H 9/181  
200/308

D603,345 S \* 11/2009 Melzner ..... D13/162  
D603,350 S \* 11/2009 Melzner ..... D13/164  
D717,249 S \* 11/2014 Rodriguez ..... D13/164  
D722,981 S \* 2/2015 Livschitz ..... D13/162  
9,046,232 B2 \* 6/2015 Melzner ..... F21S 2/005  
9,167,660 B2 \* 10/2015 Birch ..... H05B 37/00  
9,320,114 B1 \* 4/2016 Ericksen ..... H05B 37/0218  
9,538,619 B2 \* 1/2017 Swatsky ..... H05B 37/0272

\* cited by examiner

*Primary Examiner* — Selina Sikder

(74) *Attorney, Agent, or Firm* — Andrew F. Young, Esq.;  
Lackenbach Siegel, LLP

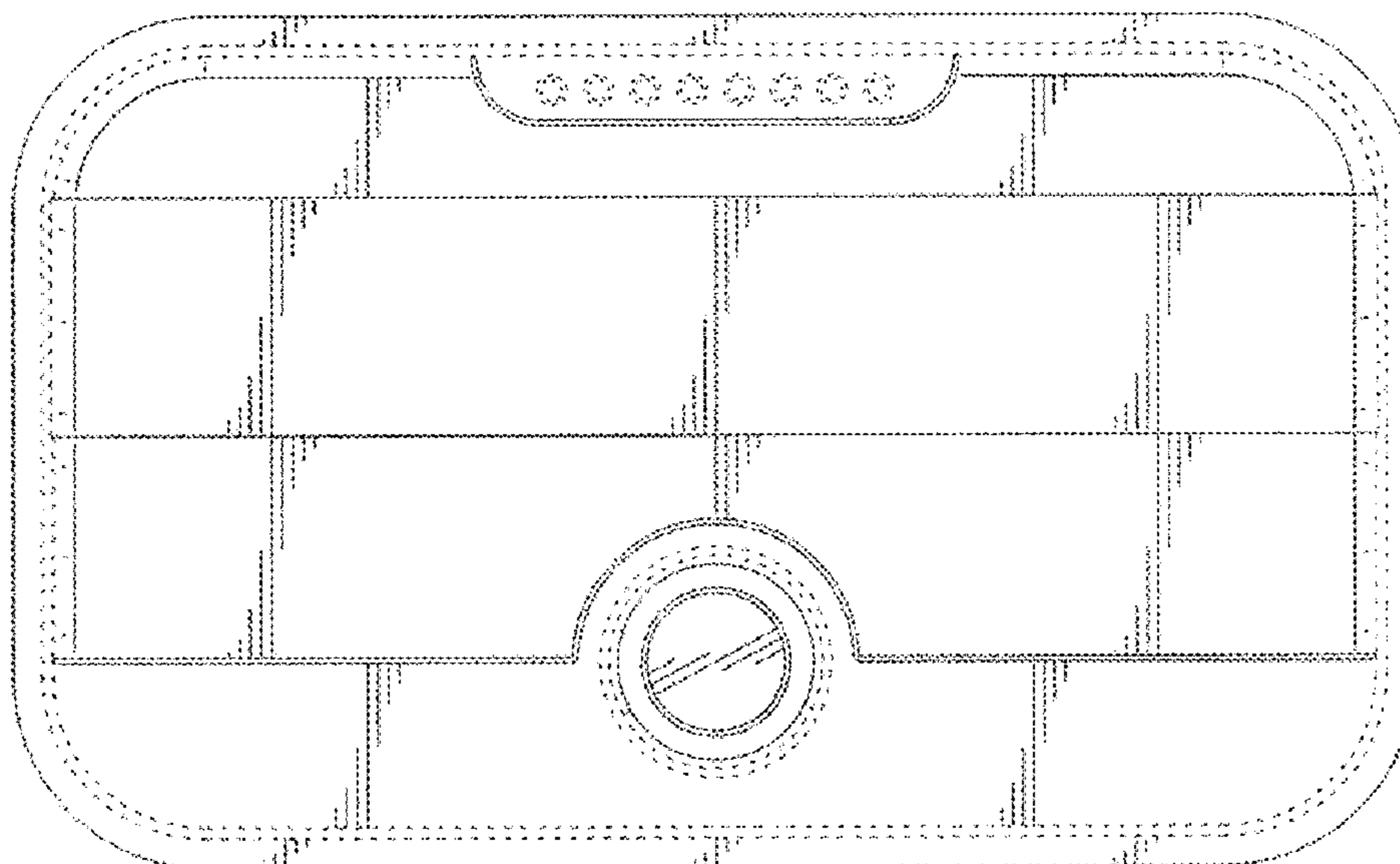
(57) **CLAIM**

The ornamental design for a controller, as shown and described.

**DESCRIPTION**

FIG. 1 is a front elevation view of the present invention.  
FIG. 2 is a rear elevation view of FIG. 1.  
FIG. 3 is a left side elevation view of FIG. 1.  
FIG. 4 is a right side elevation view of FIG. 1.  
FIG. 5 is a top plan view of FIG. 1.  
FIG. 6 is a bottom plan view of FIG. 1.  
FIG. 7 is a right side front perspective view of FIG. 1.  
FIG. 8 is a right side rear elevation view of FIG. 1.  
FIG. 9 is left side rear elevation view of FIG. 1; and,  
FIG. 10 is an left side front perspective view of FIG. 1.  
The dash-dash disclaimed lines indicate environmental features and form no part of the present invention.

**1 Claim, 10 Drawing Sheets**



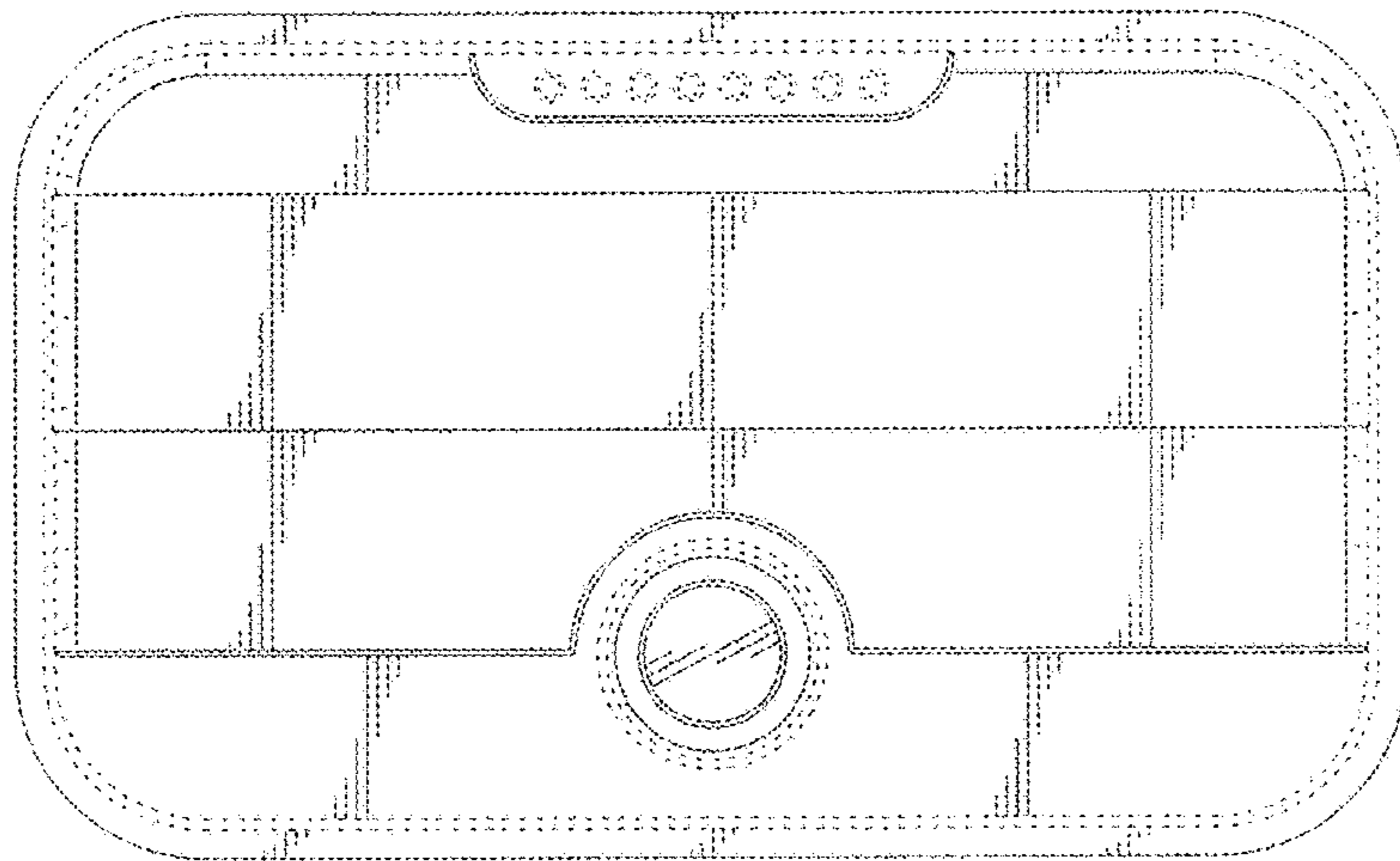


FIG.1

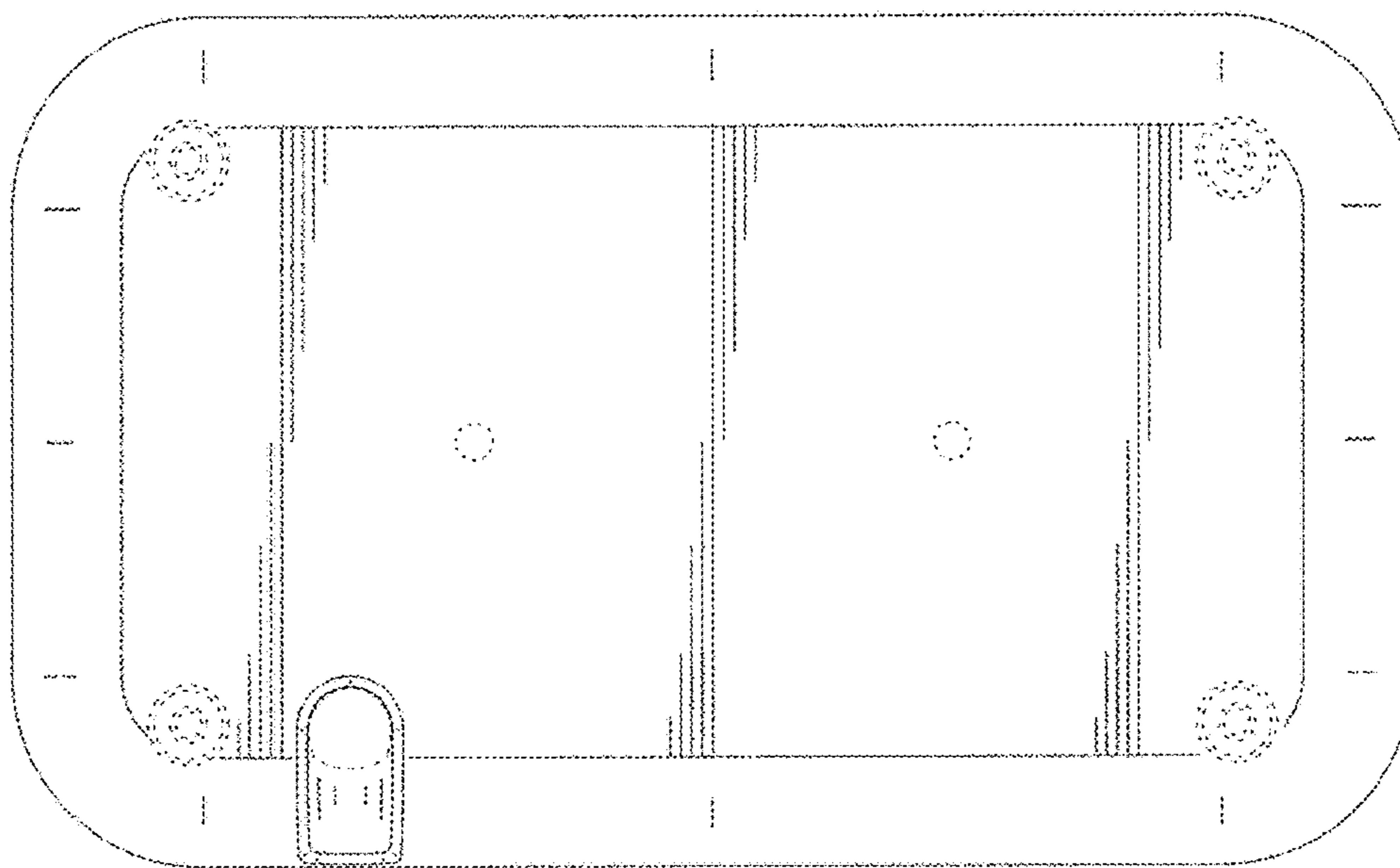


FIG.2

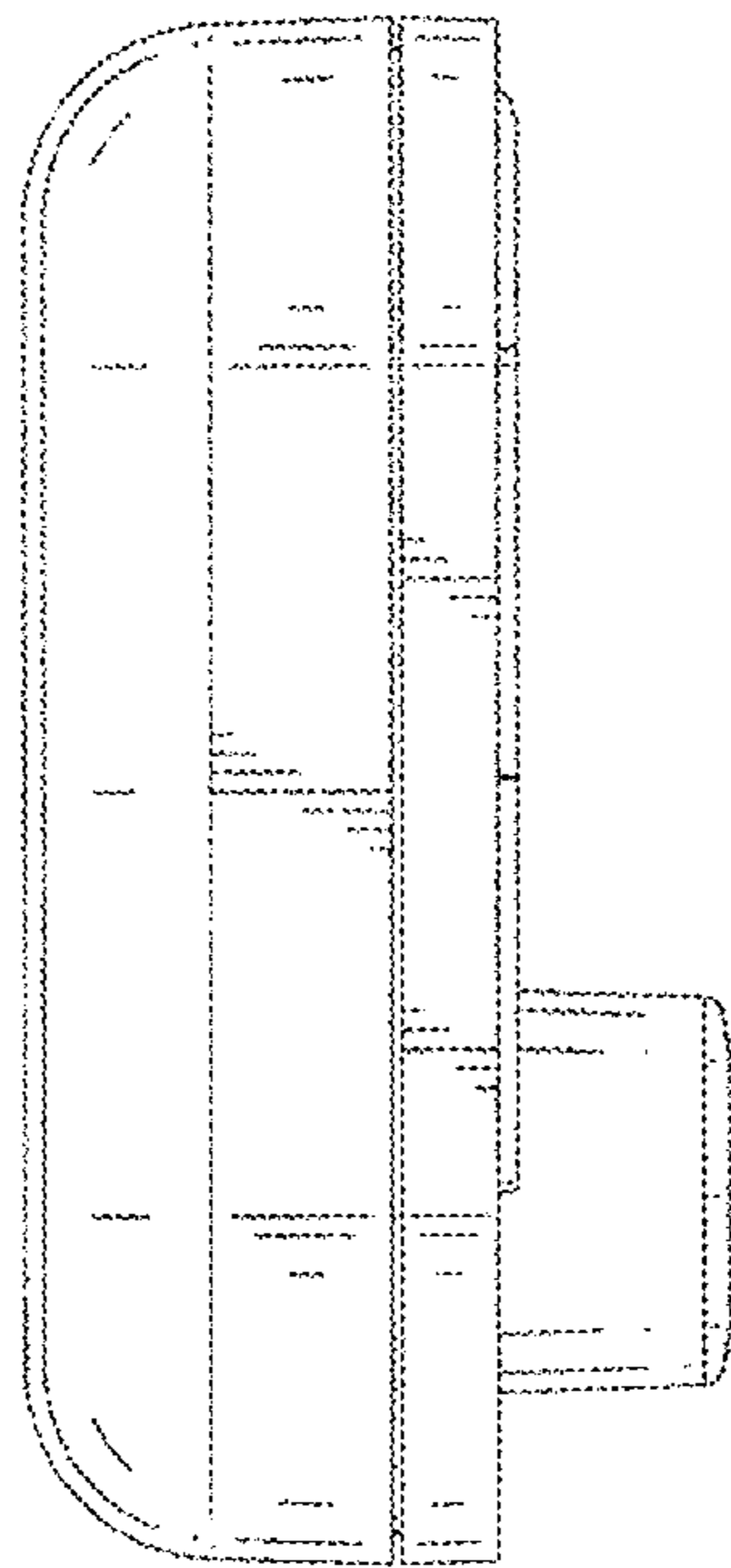


FIG.3

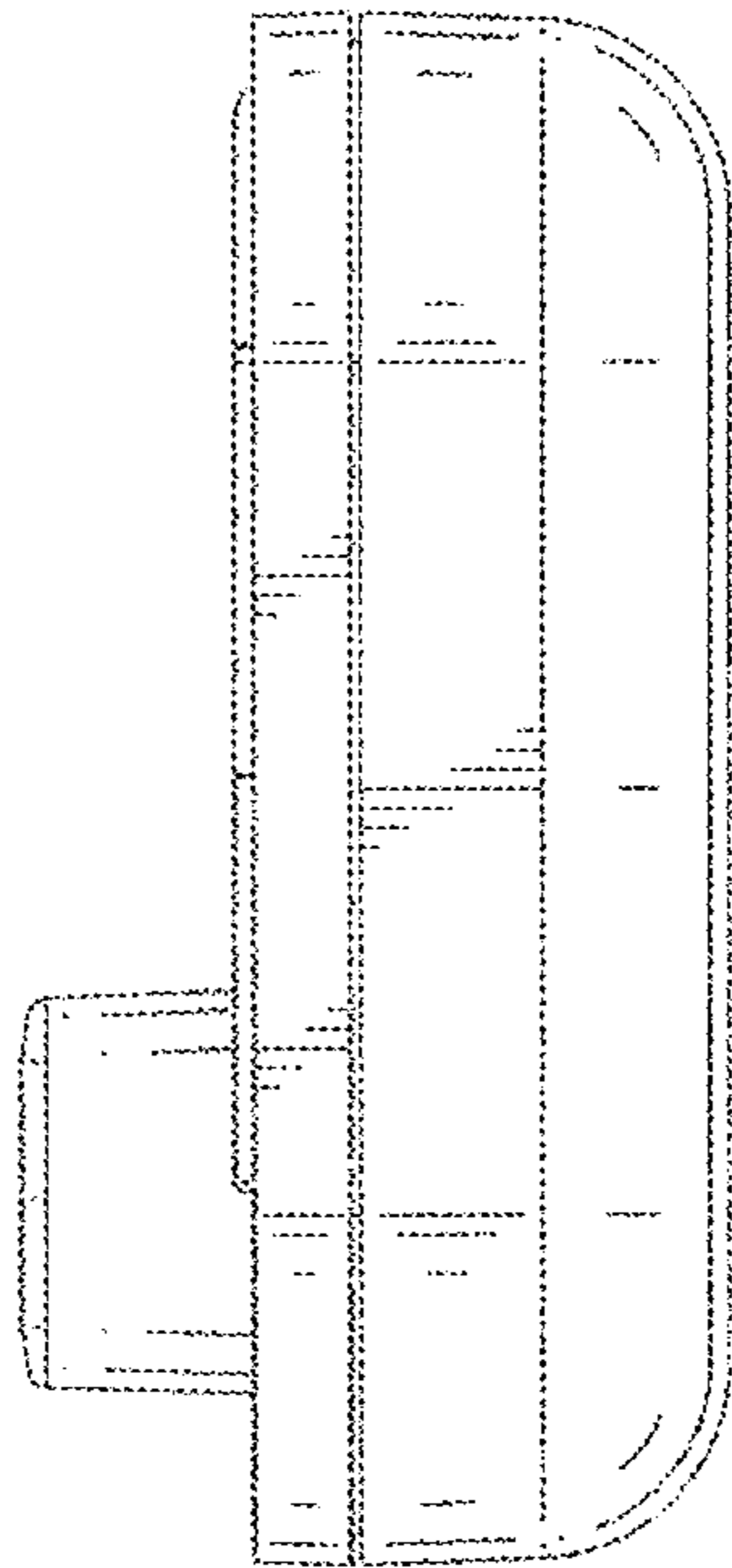


FIG.4

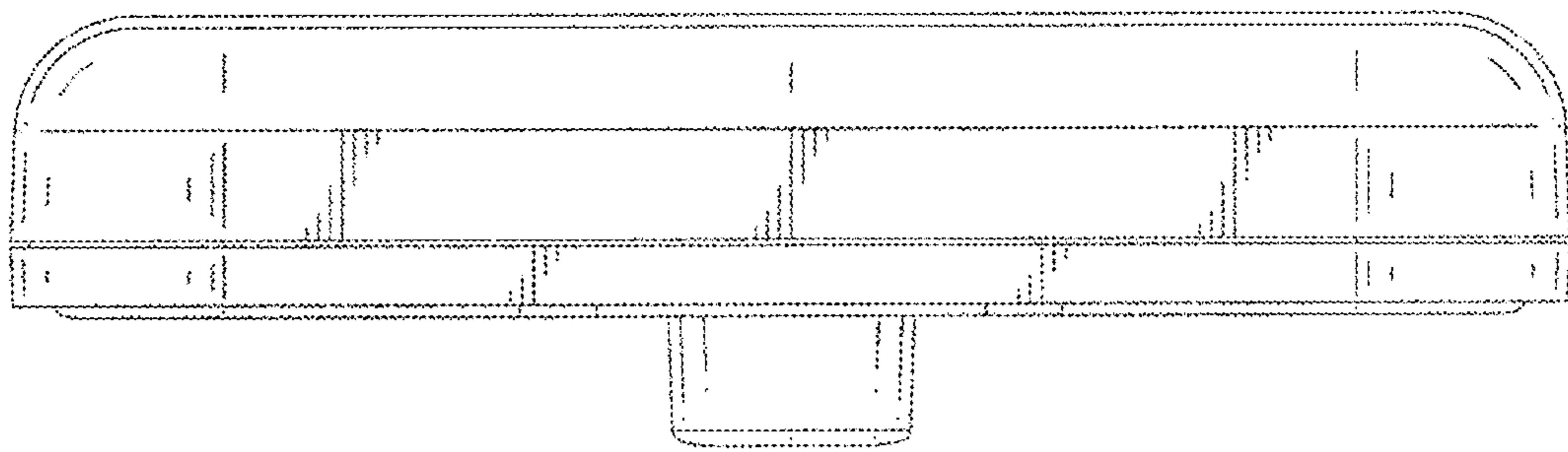


FIG.5

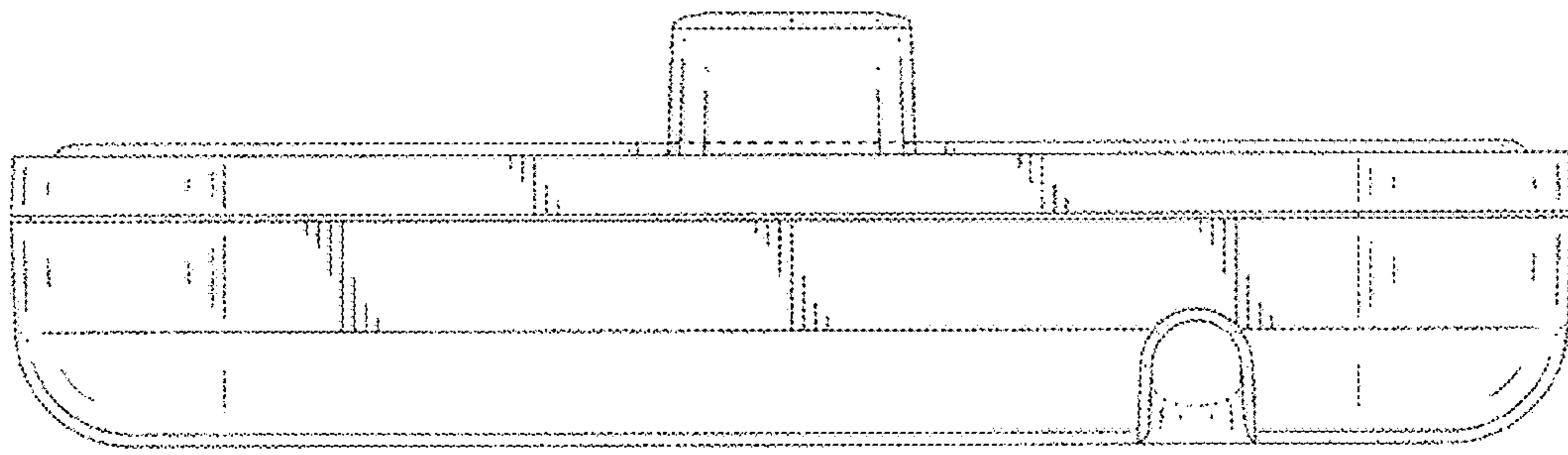


FIG.6

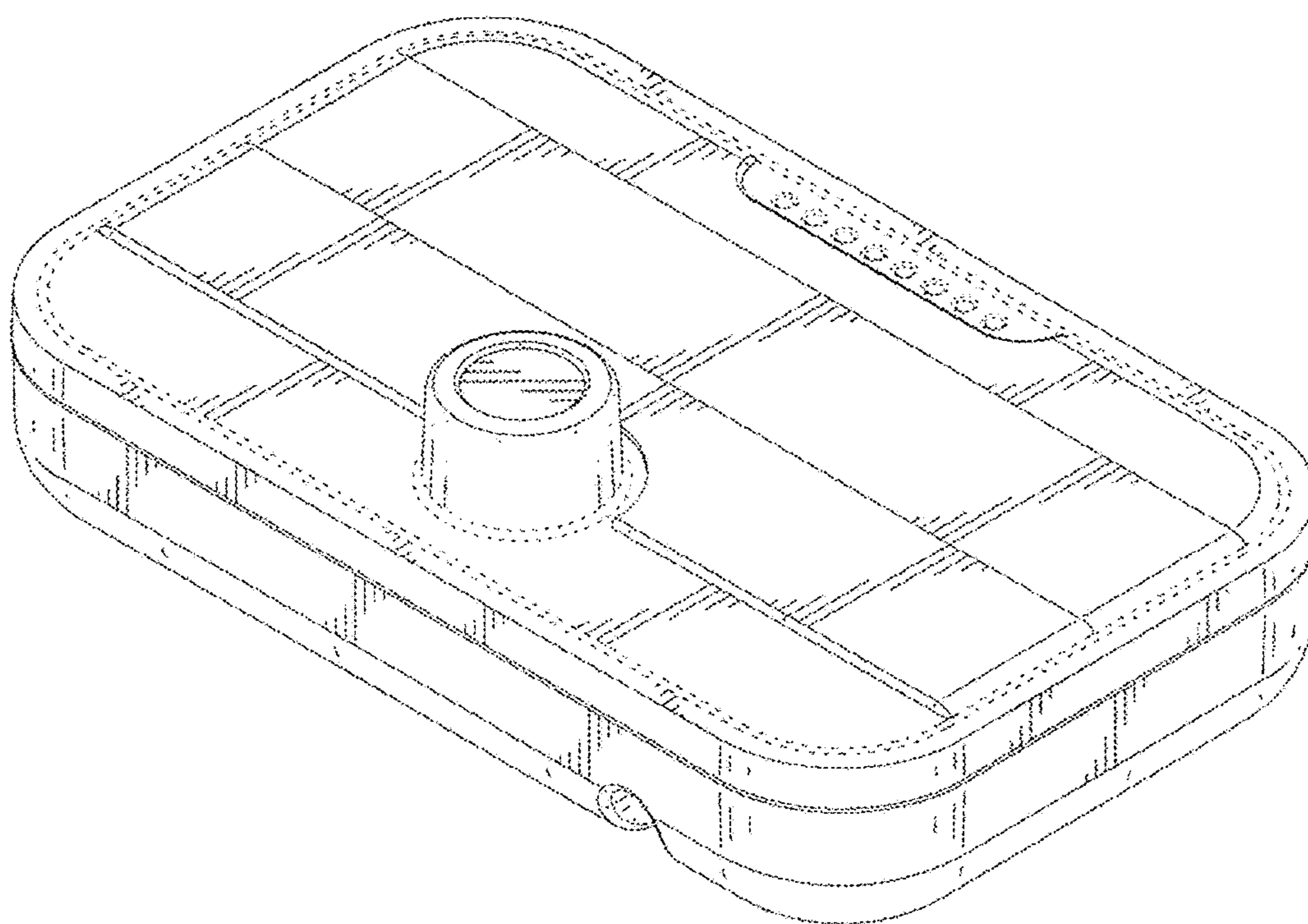


FIG.7



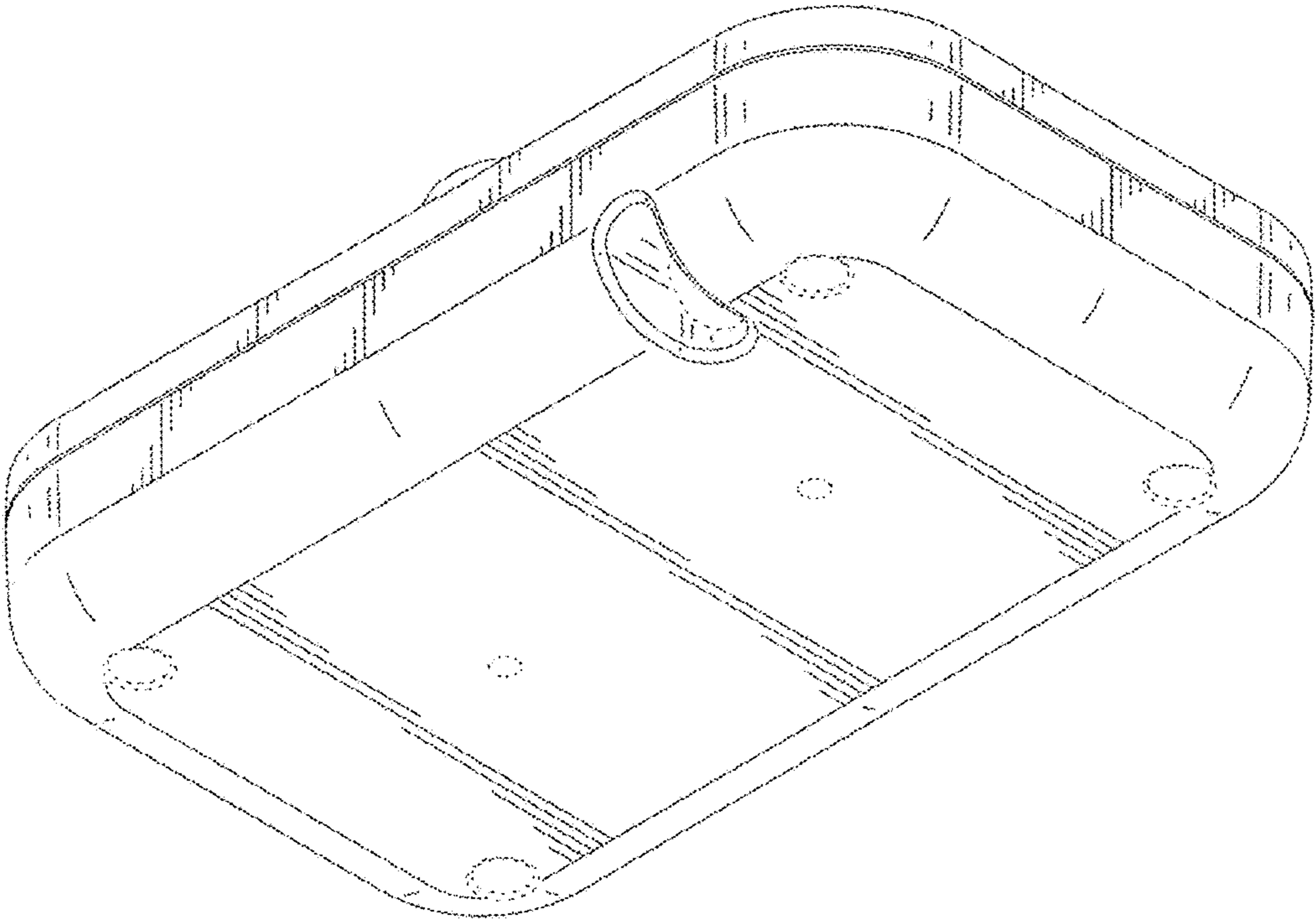


FIG. 8

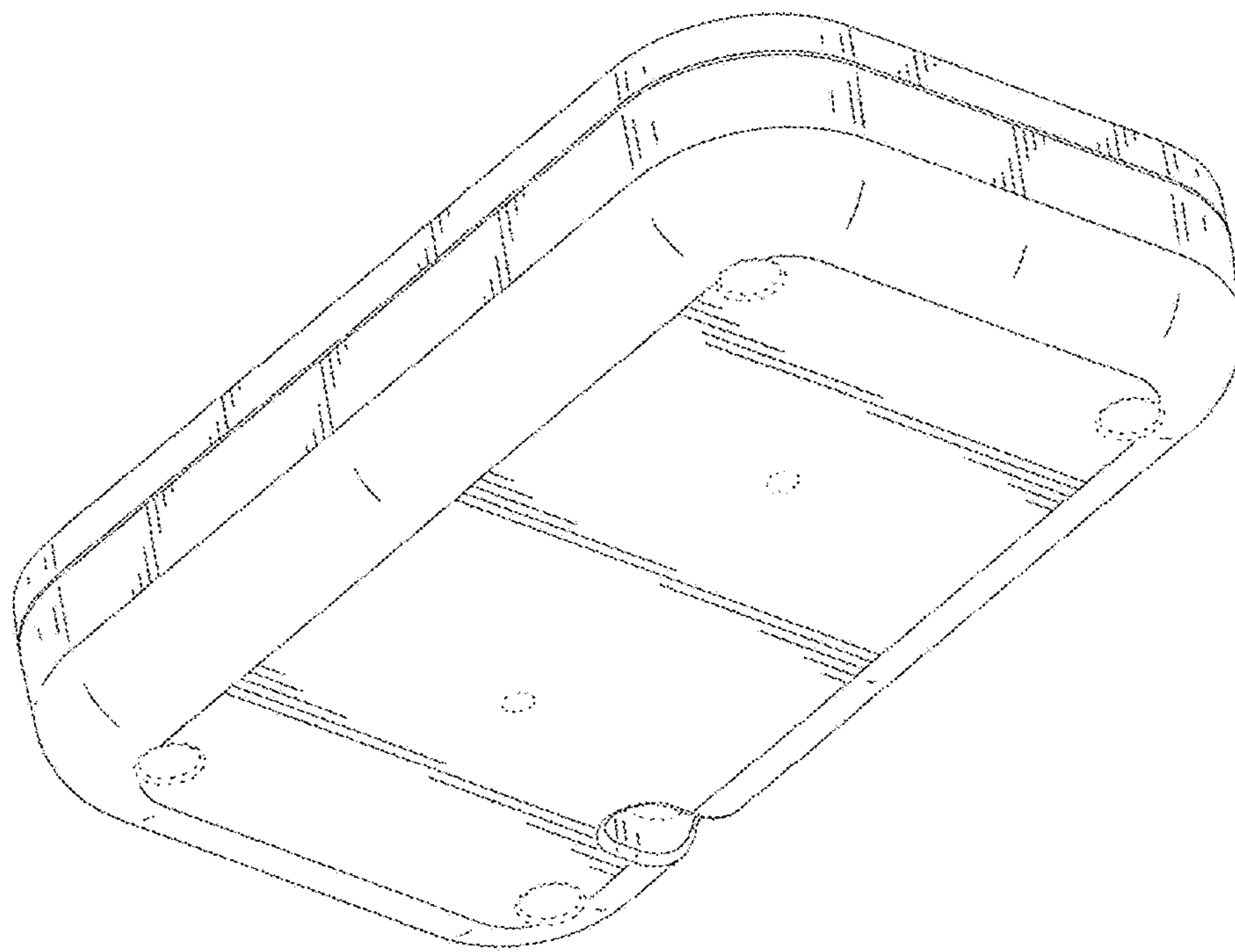


FIG. 9

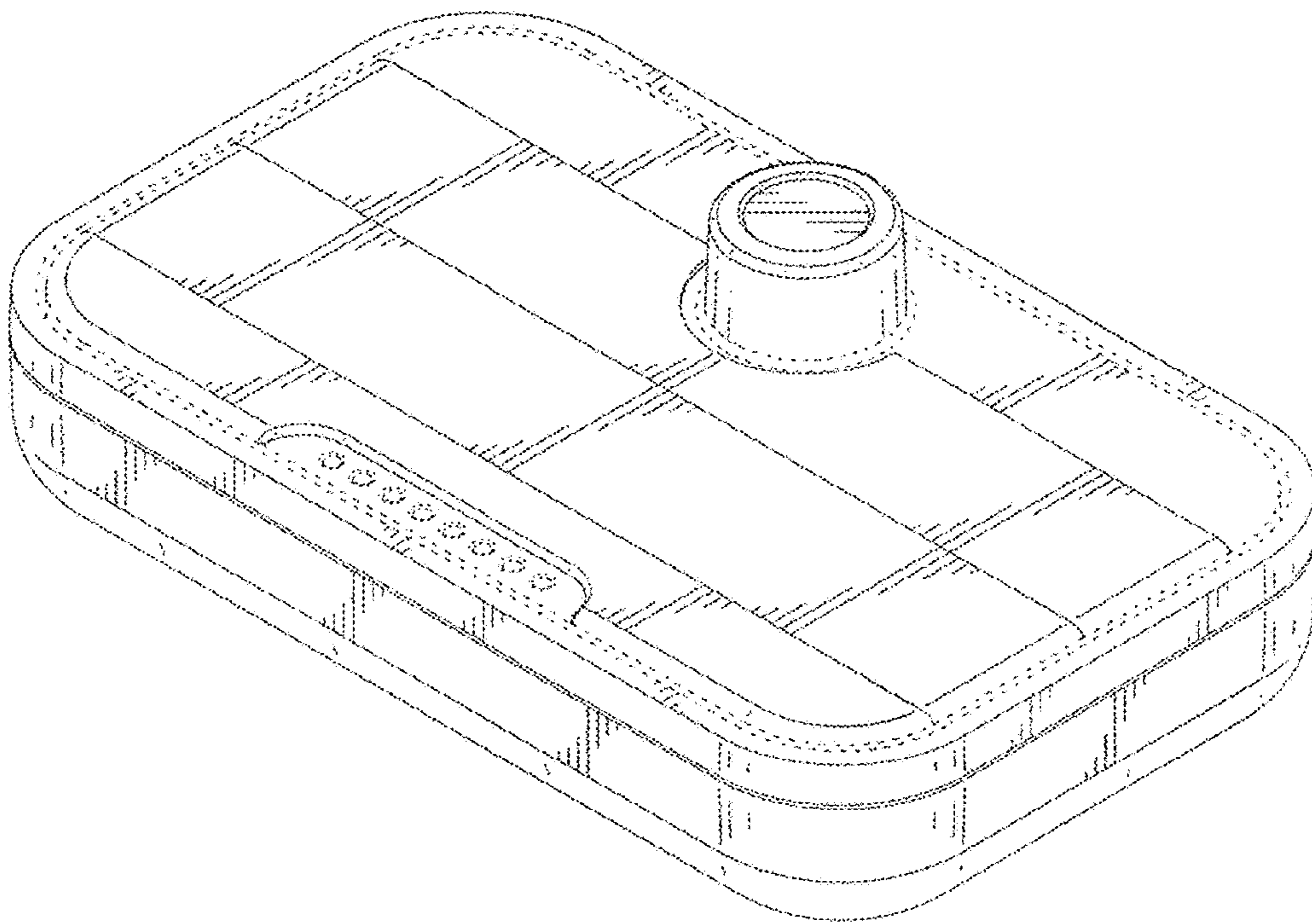


FIG. 10